



GM Lighting[®]



**2023
PRODUCTS
CATALOG**





NEW PRODUCT

ChromaDim™



**TUNABLE WHITE AND DIMMING CONTROL
IN ONE STANDARD WALL SWITCH**

PAGE 105

ChromaDim is a simple and cost-effective solution for GM Lighting's Tunable White LED Tape, Puck Lights and Downlights. The system allows you to control color tuning and dimming via ChromaDim wall switch.

NEW PRODUCT

VORTEXLED

**Wall Grazing and Asymmetric
LED Illumination**



**LINEAR LED ILLUMINATION FOR
WALL WASHING, WALL GRAZING AND
DECORATIVE ACCENTS**

PAGE 71

GM Lighting's new VortexLED series is designed for spaces where vertical illumination is needed. With a uniform light distribution, VortexLED Optic tape is a perfect solution for wall washing, wall grazing and accent lighting.

NEW PRODUCT

LUXcontrol™

Smart WiFi Lighting Control System



**DOWNLOAD OUR
LUXcontrol™ APP
AND GAIN FULL
CONTROL OF
YOUR LIGHTING**

LUXcontrol™ by GM Lighting is a smart lighting system that enables you to wirelessly control LED tape lights and other luminaires. LUXcontrol product line features a variety of low and high voltage controllers, dimmers, plugs and switches to control your LED lights and smart devices from anywhere in the world with the LUXcontrol™ App.

More New Products

A Guide To New Fixtures and Accessories

NEW PRODUCT

LTR-S HIGH OUTPUT LED TAPE

GM Lighting's new collection of high lumen LTR-S Series LED tape is designed for integration into ceilings and other spaces where high lumen illumination is needed. Select from a variety of color temperatures and lumen outputs to brighten your space. **See page 29.**

LAMINA RGBW AND SINGLE COLOR

Lamina is a 12inx12in flexible light sheet that can be cut in the field into geometric or irregular shapes, creating limitless illumination for signage, light panels, columns, retail display, backlighting and themed lighting applications. Lamina is connectable via integral push-in connectors. **See page 67.**

BLACK AND WHITE CHANNELS

Stylish black and white channels are the newest addition to our XD-MD and XD-MD-F series. Available in 4ft and 8ft. **See page 58.**

WET LOCATION CONNECTORS

Whether you are connecting tape to tape or tape to power, these easy to use wet location connectors are a perfect solution for any outdoor configuration. Field configurable.

See page 51.

CHIP ON BOARD COB LED TAPE

Our popular Chip on Board LED tape is now available for wet locations. Enjoy a seamless linear light without pixelation. **See page 32.**

WET LOCATION DRIVERS

A series of 24V wet location drivers in multiple wattages. Perfect for outdoor applications.

See page 199.

VISION120 120V RGBW LED TAPE

Vision120™ RGBW is a standard output, wet location 120V flexible LED linear tape that can be factory cut and configured to your specifications. With a wealth of color options, Vision120 RGBW is the next generation of color changing technology for indoor & outdoor applications. **See page 92.**

12V/24V/120V DMX CONTROLLER

Our DMX wall-mounted controller allows you to control 12V/24V and 120V RGBW LED tape providing full color and brightness control. Designed for use with DMX-LT-995 and V120-RGBW-DMX decoder. **See pages 101, 102.**

24VDC SLIM PUCK

A 3" diameter circular surface or recessed mount puck available in white, black, bronze and brushed nickel. **See page 137.**

BRICK LIGHT

GM Lighting's new collection of modern brick lights is designed for integration into walls. With even spread of light, Brick Light make outdoor and indoor areas safer, more secure and stylish.

See page 182.

MINI TASK DOWNLIGHTS

GM Lighting's recessed Mini Task selectable 5CCT downlights available in 1" and 2", round or square in white or black color. Fully dimmable, no power supply required.

See page 155.

R6 Downlights

A series of 120V 6in downlights suitable for any budget. **See page 146.**

Table of Contents

LTR-P Pro Series LED Tape



| | |
|--|-------|
| 12VDC 1.5W | 20 |
| 24VDC 1.5W..... | 20 |
| 12VDC 3.0W..... | 21 |
| 24VDC 3.0W..... | 21 |
| 24VDC 4.5W | 21 |
| 24VDC 5.8W | 21 |
| 24VDC 1.5W / 3.0W Wet Location (Outdoor) | 22 |
| Specifying Long Runs of WP Tape..... | 24-25 |
| Dry/Wet Location Sure-Tite Connectors..... | 50 |
| Aluminum Mounting Channels and Lens | 55 |

LTR-S Spec Series LED Tape



| | |
|---|----|
| 24VDC 2.5W..... | 28 |
| 24VDC 5.8W..... | 28 |
| 24VDC 8W High Output..... | 29 |
| 24VDC 1.5W / 3.0W COB | 30 |
| 24VDC 1.5W / 3.0W COB Wet Location | 32 |
| 24VDC CCT Tunable White Tape and Connectors | 35 |
| 24VDC 3.0W DTW (Dim To Warm) | 36 |
| 12VDC 1.5W Side View | 37 |
| 12VDC 2.2W Twist-Task..... | 37 |
| Dry/Wet Location Sure-Tite Connectors..... | 50 |
| Aluminum Mounting Channels and Lens | 55 |

LTR-S Spec Series RGBW LED Tape



| | |
|--|----|
| 24VDC 3.0W RGBW | 40 |
| 24VDC 6.0W RGBW | 40 |
| 24VDC 3.0W WP Wet Location (Outdoor) | 40 |
| RGBW EZ Connectors..... | 50 |
| Aluminum Mounting Channels and Lens | 55 |

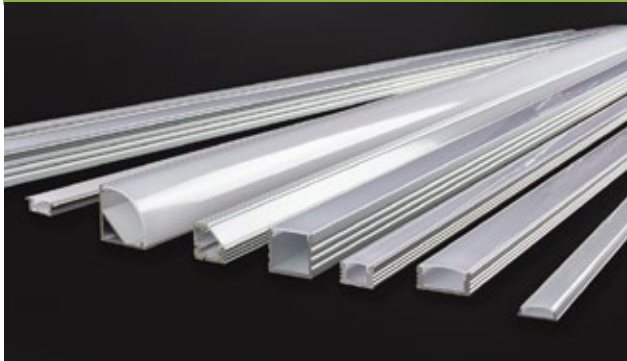
LTR-E Econo Series LED Tape



| | |
|---|----|
| 12VDC 1.5W | 42 |
| 12VDC 1.5W Colors..... | 42 |
| 24VDC 1.5W..... | 42 |
| ST Series Sure-Tite Connectors | 50 |
| Aluminum Mounting Channels and Lens | 55 |

Table of Contents

Channels, Connectors and Accessories



| | |
|---|----|
| ST Series Sure-Tite Connectors | 50 |
| EST Series Sure-Tite Connectors | 50 |
| EZ Connectors | 50 |
| Wet Location Connectors | 51 |
| GMSB Splice Box | 53 |
| WP Splice Connector | 53 |
| GM Wire | 53 |
| Mounting Channels, Tape Overlay Lens and Connectors | 55 |
| LED Tape Overlay Lens | 59 |
| Mud-In and Walk-Over Channels and Accessories | 60 |

Optics and Backlighting



| | |
|---|----|
| Lamina Single Color | 67 |
| Lamina RGBW | 67 |
| Lamina Connectors | 68 |
| VorteXLED Optic Tape - Wall Grazing | 71 |
| VorteXLED Optic Tape - Wall Washing | 71 |
| VorteXLED Channels and Connectors | 72 |

NeoVision 24 Neon Tape



| | |
|---|----|
| NeoVision24 SideFlex Tape | 76 |
| NeoVision24 TopFlex Tape | 78 |
| NeoVision24 RGBW Tape | 80 |
| NeoVision SideFlex / TopFlex Connectors and Accessories | 82 |

Vision 120™ 120V LED Tape



| | |
|---|----|
| 120V Standard, High and Super High Output Tape | 89 |
| Vision120 Connectors, Channels and Accessories | 91 |
| 120V RGBW Tape | 92 |
| Vision120 RGBW Connectors, Channels and Accessories | 93 |
| Specifying Vision120 Wet Location Tape | 94 |

Table of Contents

LED Controls LUXcontrol, DMX, RF



| | |
|---|-----|
| LUXcontrol 12/24V WiFi System | 98 |
| LUXcontrol 120V WiFi System | 99 |
| LUXcontrol WiFi Plug, Outlet, Dimmer | 100 |
| 12V/24V DMX Decoder and Wall Controller | 101 |
| 120V DMX Decoder and Wall Controller | 102 |
| RGBW RF Remote Controller | 103 |

ChromaDim Tunable White System



| | |
|---|-----|
| ChromaDim Tunable White System..... | 107 |
| ChromaDim Tunable White LED Tape | 109 |
| ChromaDim Tunable White Puck Light..... | 110 |
| ChromaDim Tunable White Downlight | 111 |

120V Undercabinet Lighting



| | |
|--|-----|
| TunableTask™ Selectable..... | 114 |
| LumenTask™ LED | 116 |
| Undercabinet Fixture Comparative Analysis..... | 117 |

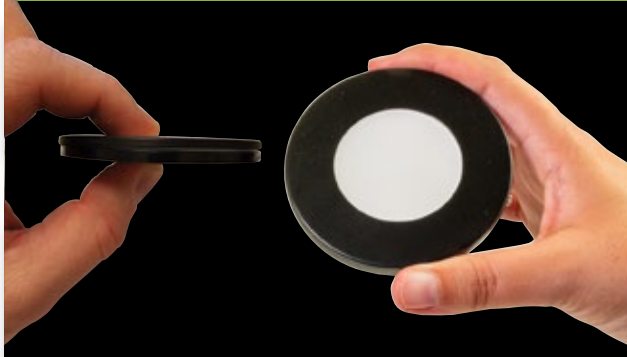
12VDC / 24VDC / 120V Lightbars



| | |
|--|-----|
| SlimEdge™ 24VDC Modular | 122 |
| The SlimEdge Kitchen - Layout Guide | 125 |
| LARC6 24VDC Modular Adjustable | 127 |
| CovaLinear Switchable 120V | 128 |
| LTAB-N Aluminum High Output Wet Location 12VDC | 130 |
| LTB Rigid High Output 12VDC..... | 131 |
| Lightbar Comparative Analysis | 133 |

Table of Contents

12V/24V Pucks



| | |
|---|-----|
| LED 12V Slim Puck..... | 136 |
| LED 24V Slim Puck..... | 137 |
| LED 3W 12V Puck..... | 138 |
| LED 12V Slim Puck Mini..... | 139 |
| PSD Series 12V/24V Power Supplies..... | 200 |
| ChromaDim Tunable White Puck Light..... | 110 |

120V Surface Mount Downlights



| | |
|----------------------------|-----|
| S4..... | 144 |
| S6..... | 144 |
| S9..... | 145 |
| R6..... | 146 |
| Proxima..... | 147 |
| GeoTask Switchable..... | 148 |
| GeoTask Light Squares..... | 150 |

Recessed Mount MiniTask Downlights



| | |
|-------------------------------------|-----|
| 120V Round..... | 156 |
| 120V Square..... | 156 |
| 120V Round Adjustable..... | 157 |
| 120V Trimless Round..... | 158 |
| 120V Trimless Square..... | 158 |
| 120V Trimless Round Adjustable..... | 158 |

Recessed Mount Downlights



| | |
|---|-----|
| RSD Recessed Slim Downlight Switchable 120V..... | 164 |
| MicroTask Mini IC Rated Downlight 120V..... | 166 |
| MicroTask 4 Mini IC Rated Downlight 120V..... | 168 |
| 3W Mini-Dimmable Adjustable Downlight 12VDC..... | 170 |
| 6W Mini-Dimmable Adjustable Downlight 12VDC..... | 171 |
| IC Rated Mini-Dimmable Adjustable Downlight 120V..... | 172 |
| Recessed Downlight Diagrams..... | 174 |
| Downlight Comparative Analysis..... | 175 |

Table of Contents

Step / Pathway / Brick Light



| | |
|--|-----|
| Wet Location Step Light 120V | 178 |
| 120V LED Brick Light | 182 |
| Wet Location Pathway Light 12VDC | 186 |

Commercial / Specialty



| | |
|--|-----|
| GridTask Ceiling Linear 120-277V | 190 |
| GridTask Sample Layouts | 191 |

Power Supplies and Accessories



| | |
|--|-----|
| SwitchLD™ 12VDC / 24VDC Power Supply / Wall Dimmer | 194 |
| LineDrive Dimmable Magnetic..... | 195 |
| LineDrive Non-Dimmable Electronic | 196 |
| Cord and Plug Power Supplies..... | 196 |
| LineDrive 0-10 Dimming Drivers | 197 |
| LineDrive Dimmable Electronic..... | 198 |
| LineDrive Dimmable Wet Location Electronic | 199 |
| PSD/LTHE Dimmable Power Supplies | 200 |
| 12VAC Electronic Remote Transformers..... | 201 |
| Quick Guide to Picking LineDRIVE Power Supplies | 201 |
| Voltage Drop Chart for 12VDC..... | 202 |
| Voltage Drop Chart for 24VDC..... | 203 |
| INDEX | 206 |



The GM Story - Innovation and Service

Almost twenty years ago, an iconic leader in the lighting industry whose vision created a renaissance in low voltage recessed lighting decided that he had enough of retirement. Sy Gerber leveraged his experience in the lighting industry and the relationships with reps and distributors that had been forged over the years, and co-founded GM Lighting with long-time friend Dave Meyer.



Sy Gerber, Founder and CEO

Since we opened our doors, we have been on the cusp of the technology wave. As an early adopter of LED, we brought this new technology into the home. Through our LED tape light and pucks, we leveraged this new energy-saving technology by making it useful to end users both residentially and commercially.

LED became a resource for energy-conscious designers, architects, facility managers and home owners, and we were right there making innovative and useful task oriented and decorative LED fixtures.

We were also one of the first manufacturers to introduce LED diodes on a linear, flexible tape that enabled long runs of dimmable light. LED 'tape' was an innovation that thrilled architects and lighting designers. Finally, an easy to install and flexible light source that

was perfect for cove lighting and illuminating long stretches of architectural detail.

Our new take on LED - LEDTask™ LED Tape distills over a decade of experience that was the result of conversations with distributors, reps and electrical contractors - enabling a new approach to LED tape that matches the product to the application.

As lighting technology continues to advance, we have embraced it. As manufacturing continues to globalize, affording us the most cost-effective way to bring you products, we have enabled it. As our reputation for superior customer service is proven day after day, we have embodied it.

We look forward to providing our network of reps, distributors, showrooms and customers continued excellence in product offerings that take advantage of the latest in technology and innovation in the lighting industry. When you combine cutting edge technology and great customer service, you get GM Lighting.



GM Lighting headquarters in Tinley Park, Illinois.

Legendary Customer Service

Ask just about anyone in the lighting industry who has come into contact with GM Lighting, ‘what is the secret to their success’, and nine out of ten times the answer will be “their customer service.” It’s no wonder, because we learn from experience. GM Lighting is a ‘people’ organization that credits their success to their employees, reps, distributors and customers.

We are always there to provide answers to whatever questions arise. Whether it’s a stock check, handling special delivery requests, fielding technical questions or providing product support, we are there for you.



From the right: Jason Marcotte, Barb Wiers, Rob Gerber, Barbara Weishaar, Kim Fuse, Dawn Schmidt, King Liu, Susan Zies, Ashley Gloster, Joanna Dulian, Carly Marquardt, Willy Solis

QR Codes and Videos

Social media is no longer a fad. It’s a proven way for companies to interface with their customers. At GM Lighting, we embraced the potential that social media provides as part of our customer service strategy. Our videos have attracted a broad spectrum of interest, and provide product overviews and step-by-step installation information.

Where you see the QR code in this catalog, aim your Smart Phone at it and

unlock the extra content that awaits you!



Check out our videos on our YouTube channel. Links to our social media platforms can be found on our website at www.gmlighting.net



CD-GMLEDRD-2023
Tape Display Box

To learn about this
and other GM Lighting
displays, go to
www.gmlighting.net

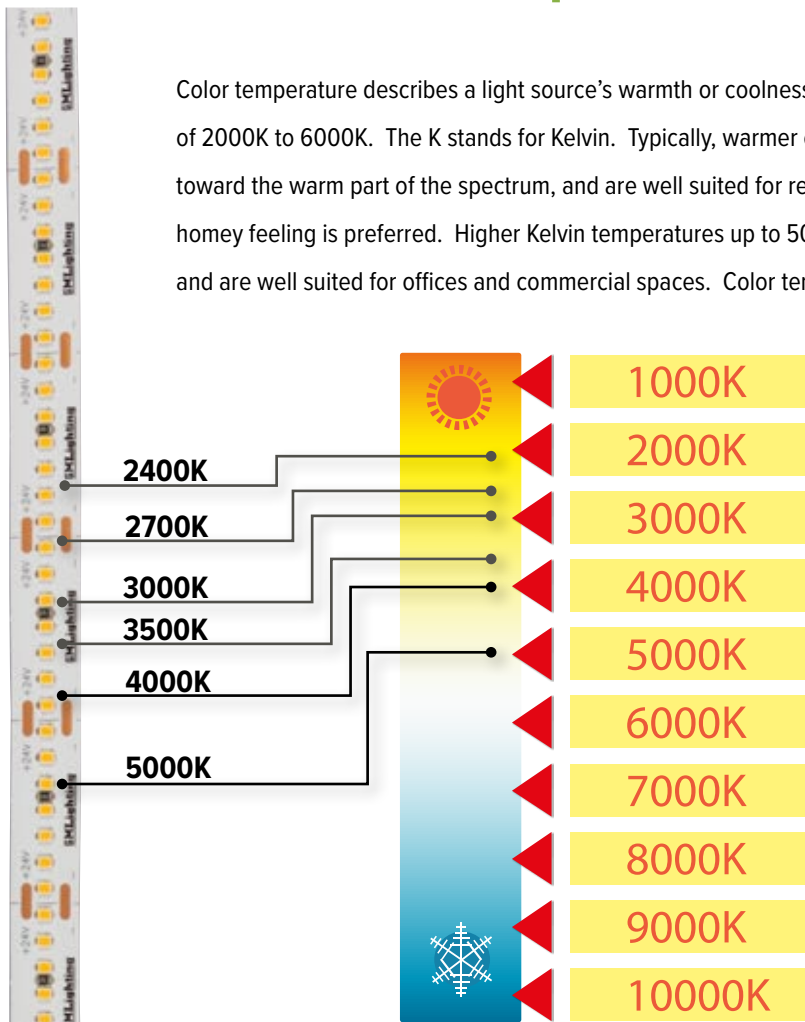


CB-DISPLAY
Aluminum Channel
Display Box



The Influence of Color Temperature

Typical GM Lighting LED Tape, Undercabinet, Lightbar and other fixtures operate within this color temperature range.



Color temperature describes a light source's warmth or coolness. LED typically operates in a color range of 2000K to 6000K. The K stands for Kelvin. Typically, warmer colors in the 2400K to 3500K range tend toward the warm part of the spectrum, and are well suited for residential spaces or spaces where a warm, homey feeling is preferred. Higher Kelvin temperatures up to 5000 tend towards the cool in the spectrum, and are well suited for offices and commercial spaces. Color temps that fall below 2400K can be used for

mood lighting, or lighting that is evocative of warmth or for themed areas. The same can be said for color temps that are in the upper extremities.

Selectable White

'Selectable White' is a feature that enables the user to 'select' the color between various color temps from a single fixture. We offer Selectable White as a feature in our undercabinet, recessed and surface mount fixtures.

Covalinear Selectable White Lightbar
Choose between 2700K, 3000K, 3500K

Selectable White Products

| Product | Page No. |
|-------------|----------|
| TunableTask | 114 |
| Covalinear | 128 |
| Proxima | 147 |
| GeoTask | 148, 150 |
| MiniTask | 155 |
| RSD | 164 |



NEW!
MiniTask Selectable White
Downlights. Choose between
2700K, 3000K, 3500K, 4000K, 5000K
Page 155

LEDTask LED Tape LTR-P, LTR-S, LTR-E

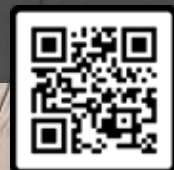
We've made the best LED Tape line in the industry even better. In order to faithfully represent the diversity of our LED tape, we've set up three distinct categories. Each category presents features that speak to the applications: Professional, Specification and Economy. Each category offers distinct advantages.

Pro Series offers both indoor and outdoor tapes in a variety of color temps. Specification grade not only features a tight diode arrangement, but also introduces new COB and Tunable White choices, while preserving our popular RGBW, RGBW Wet Location, Twist-Task, Dim to Warm and Side View tapes. Rounding out our offering, the Econo Series is a solid choice where the essential qualities of linear LED is required, in either 12V or 24V with a choice of various color temps and colors.

We are excited to introduce these new tape options with our distributors and installers in mind as we enable more variety in three comprehensive linear LED tape categories.

See the Video!

Our entire line of LEDTask Series tape is broken down into its finer components with a complete list of specs and features.





LEDTask™ Flexible LED Tape

LTR-P PRO SERIES

| | |
|------------------------|----|
| 12V DRY LOCATION | 20 |
| 24V DRY LOCATION..... | 20 |
| 24V WET LOCATION | 22 |

LTR-S SPEC SERIES

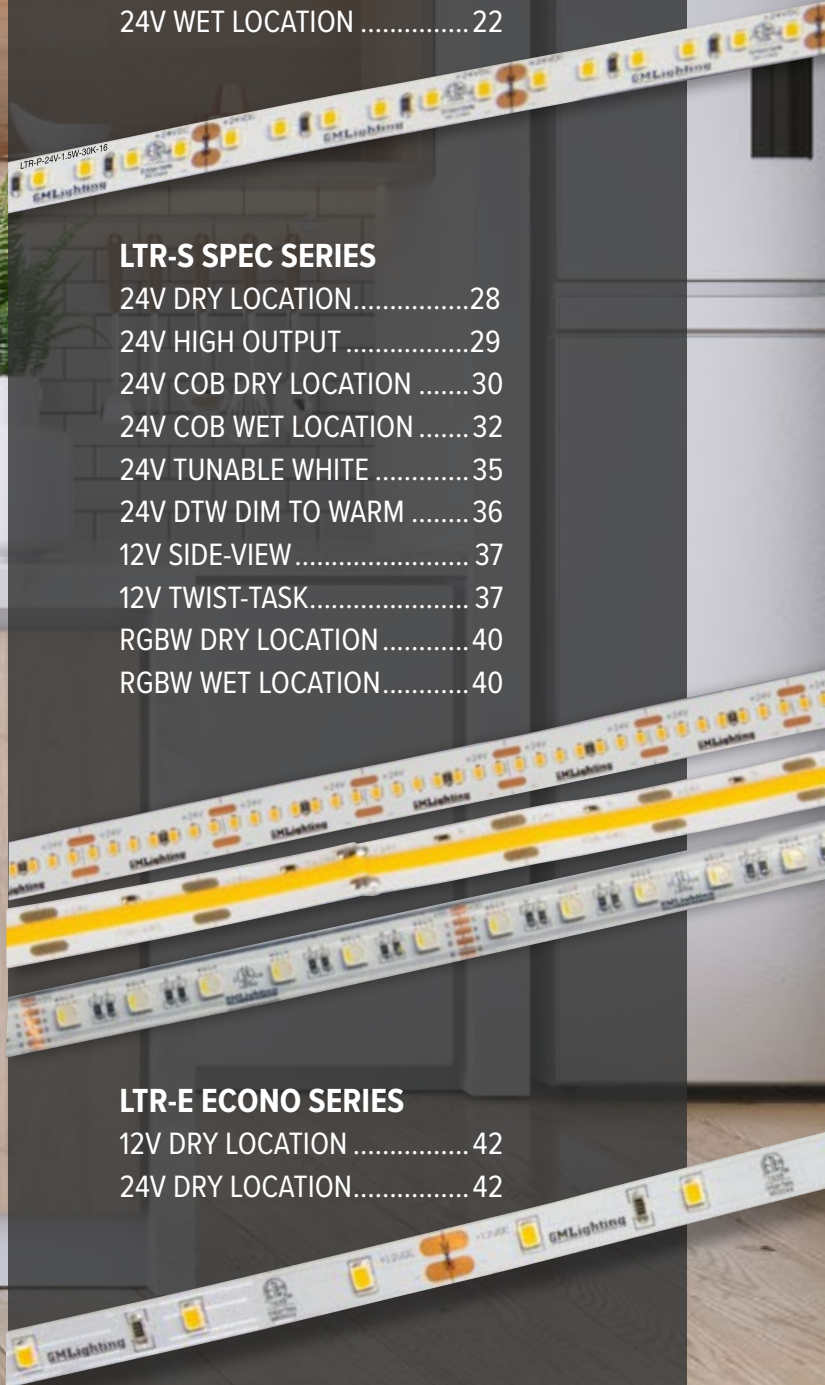
| | |
|----------------------------|----|
| 24V DRY LOCATION..... | 28 |
| 24V HIGH OUTPUT | 29 |
| 24V COB DRY LOCATION | 30 |
| 24V COB WET LOCATION | 32 |
| 24V TUNABLE WHITE | 35 |
| 24V DTW DIM TO WARM | 36 |
| 12V SIDE-VIEW | 37 |
| 12V TWIST-TASK..... | 37 |
| RGBW DRY LOCATION | 40 |
| RGBW WET LOCATION..... | 40 |

LTR-E ECONO SERIES

| | |
|------------------------|----|
| 12V DRY LOCATION | 42 |
| 24V DRY LOCATION..... | 42 |

CONNECTORS AND WIRES

| | |
|----------------------|----|
| DRY CONNECTORS..... | 50 |
| WET CONNECTORS | 51 |
| SPLICE BOXES | 53 |
| WIRES | 53 |



LTR-P

Pro Series Indoor Location

GM's Pro Series Flexible LED Tape combines style and technology with reliability. Choose between 12V and 24V, 1.5W to 5.8W per foot, and color temps from 2400K to 5000K. Our Pro Series is exactly what we claim - a professional LED linear solution.

KEY FEATURES:

- 12VDC / 24VDC
- 1.5W/ft. to 5.8W/ft.
- 90+ CRI
- Dry location
- Premium diodes
- 120 LED's/meter (36/ft.)
- Up to 493 lumens/foot
- IP20
- Dimmable
- Cuttable every 2"
- Maximum run: 60'
- 10mm PCB width
- 3M adhesive back
- Includes Sure-Tite connectors (see Note below)
- Custom lengths available consult factory
- 5 year warranty when used with GM power supply

12 VOLT

24 VOLT

DRY LOCATION

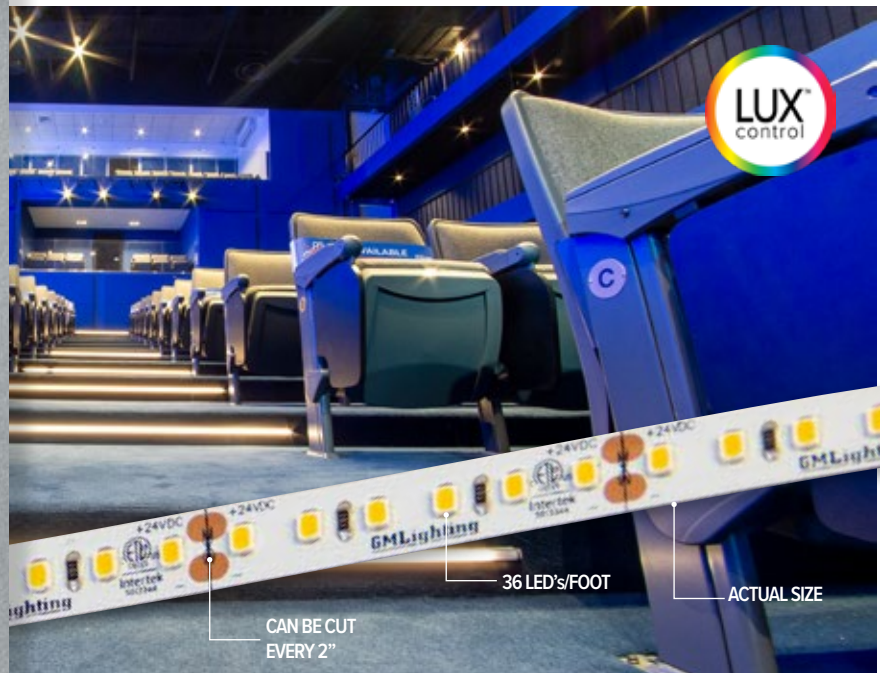
90+ CRI

CLASS 2

CUTTABLE

5Yr. WARRANTY

Intertek



Indoor Location Product No. Example

LTR-P - XXV - X.XW - XXK - XX

SERIES PREFIX
(P = PRO)

VOLTAGE
12V
24V

WATTS / FOOT
1.5
3.0
4.5
5.8

COLOR TEMP
24K = 2400K
27K = 2700K
30K = 3000K
35K = 3500K
40K = 4000K
50K = 5000K

REEL LENGTH
16 = 16'-4"
100 = 98'-6"
250 = 250'

TITLE 24 COMPLIES WITH TITLE 24 WHEN USED WITH SPECIFIC DRIVERS. CONSULT FACTORY.

FOR PROPER THERMAL MANAGEMENT, MOUNT THIS PRODUCT IN CHANNEL (4.5W RECOMMENDED, 5.8W REQUIRED)

ORDERING INFORMATION

| Product No. | Output | Length | Lumens per ft. | CRI | Color Temp. | Max. Run |
|------------------------|--------|--------------|----------------|-----|-------------|----------|
| LTR-P-12V-1.5W-24K-16 | 12VDC | 16'-4" / 5M | 119 | 90+ | 2400K | 32'-8" |
| LTR-P-12V-1.5W-27K-16 | 12VDC | 16'-4" / 5M | 125 | 90+ | 2700K | 32'-8" |
| LTR-P-12V-1.5W-30K-16 | 12VDC | 16'-4" / 5M | 126 | 90+ | 3000K | 32'-8" |
| LTR-P-12V-1.5W-35K-16 | 12VDC | 16'-4" / 5M | 140 | 90+ | 3500K | 32'-8" |
| LTR-P-12V-1.5W-40K-16 | 12VDC | 16'-4" / 5M | 144 | 90+ | 4000K | 32'-8" |
| LTR-P-12V-1.5W-50K-16 | 12VDC | 16'-4" / 5M | 146 | 90+ | 5000K | 32'-8" |
| LTR-P-12V-1.5W-24K-100 | 12VDC | 98'-6" / 30M | 119 | 90+ | 2400K | 32'-8" |
| LTR-P-12V-1.5W-27K-100 | 12VDC | 98'-6" / 30M | 125 | 90+ | 2700K | 32'-8" |
| LTR-P-12V-1.5W-30K-100 | 12VDC | 98'-6" / 30M | 126 | 90+ | 3000K | 32'-8" |
| LTR-P-12V-1.5W-35K-100 | 12VDC | 98'-6" / 30M | 140 | 90+ | 3500K | 32'-8" |
| LTR-P-12V-1.5W-40K-100 | 12VDC | 98'-6" / 30M | 144 | 90+ | 4000K | 32'-8" |
| LTR-P-12V-1.5W-50K-100 | 12VDC | 98'-6" / 30M | 146 | 90+ | 5000K | 32'-8" |
| LTR-P-12V-1.5W-27K-250 | 12VDC | 250' / 76M | 125 | 90+ | 2700K | 32'-8" |
| LTR-P-12V-1.5W-30K-250 | 12VDC | 250' / 76M | 126 | 90+ | 3000K | 32'-8" |
| LTR-P-12V-1.5W-35K-250 | 12VDC | 250' / 76M | 140 | 90+ | 3500K | 32'-8" |
| LTR-P-24V-1.5W-24K-16 | 24VDC | 16'-4" / 5M | 119 | 90+ | 2400K | 60' |
| LTR-P-24V-1.5W-27K-16 | 24VDC | 16'-4" / 5M | 125 | 90+ | 2700K | 60' |
| LTR-P-24V-1.5W-30K-16 | 24VDC | 16'-4" / 5M | 126 | 90+ | 3000K | 60' |
| LTR-P-24V-1.5W-35K-16 | 24VDC | 16'-4" / 5M | 140 | 90+ | 3500K | 60' |
| LTR-P-24V-1.5W-40K-16 | 24VDC | 16'-4" / 5M | 144 | 90+ | 4000K | 60' |
| LTR-P-24V-1.5W-50K-16 | 24VDC | 16'-4" / 5M | 146 | 90+ | 5000K | 60' |
| LTR-P-24V-1.5W-24K-100 | 24VDC | 98'-6" / 30M | 119 | 90+ | 2400K | 60' |
| LTR-P-24V-1.5W-27K-100 | 24VDC | 98'-6" / 30M | 125 | 90+ | 2700K | 60' |
| LTR-P-24V-1.5W-30K-100 | 24VDC | 98'-6" / 30M | 126 | 90+ | 3000K | 60' |
| LTR-P-24V-1.5W-35K-100 | 24VDC | 98'-6" / 30M | 140 | 90+ | 3500K | 60' |
| LTR-P-24V-1.5W-40K-100 | 24VDC | 98'-6" / 30M | 144 | 90+ | 4000K | 60' |
| LTR-P-24V-1.5W-50K-100 | 24VDC | 98'-6" / 30M | 146 | 90+ | 5000K | 60' |

ORDERING INFORMATION

| Product No. | Output | Length | Lumens per ft. | CRI | Color Temp. | Max. Run |
|------------------------|--------|--------------|----------------|-----|-------------|----------|
| LTR-P-24V-1.5W-27K-250 | 24VDC | 250' / 76M | 125 | 90+ | 2700K | 60' |
| LTR-P-24V-1.5W-30K-250 | 24VDC | 250' / 76M | 126 | 90+ | 3000K | 60' |
| LTR-P-24V-1.5W-35K-250 | 24VDC | 250' / 76M | 140 | 90+ | 3500K | 60' |
| LTR-P-12V-3.0W-24K-16 | 12VDC | 16'-4" / 5M | 211 | 90+ | 2400K | 16'-4" |
| LTR-P-12V-3.0W-27K-16 | 12VDC | 16'-4" / 5M | 225 | 90+ | 2700K | 16'-4" |
| LTR-P-12V-3.0W-30K-16 | 12VDC | 16'-4" / 5M | 242 | 90+ | 3000K | 16'-4" |
| LTR-P-12V-3.0W-35K-16 | 12VDC | 16'-4" / 5M | 246 | 90+ | 3500K | 16'-4" |
| LTR-P-12V-3.0W-40K-16 | 12VDC | 16'-4" / 5M | 251 | 90+ | 4000K | 16'-4" |
| LTR-P-12V-3.0W-50K-16 | 12VDC | 16'-4" / 5M | 254 | 90+ | 5000K | 16'-4" |
| LTR-P-12V-3.0W-24K-100 | 12VDC | 16'-4" / 5M | 211 | 90+ | 2400K | 16'-4" |
| LTR-P-12V-3.0W-27K-100 | 12VDC | 98'-6" / 30M | 225 | 90+ | 2700K | 16'-4" |
| LTR-P-12V-3.0W-30K-100 | 12VDC | 98'-6" / 30M | 242 | 90+ | 3000K | 16'-4" |
| LTR-P-12V-3.0W-35K-100 | 12VDC | 98'-6" / 30M | 246 | 90+ | 3500K | 16'-4" |
| LTR-P-12V-3.0W-40K-100 | 12VDC | 98'-6" / 30M | 251 | 90+ | 4000K | 16'-4" |
| LTR-P-12V-3.0W-50K-100 | 12VDC | 98'-6" / 30M | 254 | 90+ | 5000K | 16'-4" |
| LTR-P-24V-3.0W-24K-16 | 24VDC | 16'-4" / 5M | 211 | 90+ | 2400K | 32'-8" |
| LTR-P-24V-3.0W-27K-16 | 24VDC | 16'-4" / 5M | 225 | 90+ | 2700K | 32'-8" |
| LTR-P-24V-3.0W-30K-16 | 24VDC | 16'-4" / 5M | 242 | 90+ | 3000K | 32'-8" |
| LTR-P-24V-3.0W-35K-16 | 24VDC | 16'-4" / 5M | 246 | 90+ | 3500K | 32'-8" |
| LTR-P-24V-3.0W-40K-16 | 24VDC | 16'-4" / 5M | 251 | 90+ | 4000K | 32'-8" |
| LTR-P-24V-3.0W-50K-16 | 24VDC | 16'-4" / 5M | 254 | 90+ | 5000K | 32'-8" |
| LTR-P-24V-3.0W-24K-100 | 24VDC | 98'-6" / 30M | 211 | 90+ | 2400K | 32'-8" |
| LTR-P-24V-3.0W-27K-100 | 24VDC | 98'-6" / 30M | 225 | 90+ | 2700K | 32'-8" |
| LTR-P-24V-3.0W-30K-100 | 24VDC | 98'-6" / 30M | 242 | 90+ | 3000K | 32'-8" |
| LTR-P-24V-3.0W-35K-100 | 24VDC | 98'-6" / 30M | 246 | 90+ | 3500K | 32'-8" |
| LTR-P-24V-3.0W-40K-100 | 24VDC | 98'-6" / 30M | 251 | 90+ | 4000K | 32'-8" |
| LTR-P-24V-3.0W-50K-100 | 24VDC | 98'-6" / 30M | 254 | 90+ | 5000K | 32'-8" |
| LTR-P-24V-4.5W-24K-16 | 24VDC | 16'-4" / 5M | 317 | 90+ | 2400K | 20' |
| LTR-P-24V-4.5W-27K-16 | 24VDC | 16'-4" / 5M | 337 | 90+ | 2700K | 20' |
| LTR-P-24V-4.5W-30K-16 | 24VDC | 16'-4" / 5M | 334 | 90+ | 3000K | 20' |
| LTR-P-24V-4.5W-35K-16 | 24VDC | 16'-4" / 5M | 374 | 90+ | 3500K | 20' |
| LTR-P-24V-4.5W-40K-16 | 24VDC | 16'-4" / 5M | 387 | 90+ | 4000K | 20' |
| LTR-P-24V-4.5W-50K-16 | 24VDC | 16'-4" / 5M | 395 | 90+ | 5000K | 20' |
| LTR-P-24V-4.5W-24K-100 | 24VDC | 98'-6" / 30M | 317 | 90+ | 2400K | 20' |
| LTR-P-24V-4.5W-27K-100 | 24VDC | 98'-6" / 30M | 337 | 90+ | 2700K | 20' |
| LTR-P-24V-4.5W-30K-100 | 24VDC | 98'-6" / 30M | 334 | 90+ | 3000K | 20' |
| LTR-P-24V-4.5W-35K-100 | 24VDC | 98'-6" / 30M | 374 | 90+ | 3500K | 20' |
| LTR-P-24V-4.5W-40K-100 | 24VDC | 98'-6" / 30M | 387 | 90+ | 4000K | 20' |
| LTR-P-24V-4.5W-50K-100 | 24VDC | 98'-6" / 30M | 395 | 90+ | 5000K | 20' |
| LTR-P-24V-5.8W-24K-16 | 24VDC | 16'-4" / 5M | 390 | 90+ | 2400K | 16'-4" |
| LTR-P-24V-5.8W-27K-16 | 24VDC | 16'-4" / 5M | 404 | 90+ | 2700K | 16'-4" |
| LTR-P-24V-5.8W-30K-16 | 24VDC | 16'-4" / 5M | 423 | 90+ | 3000K | 16'-4" |
| LTR-P-24V-5.8W-35K-16 | 24VDC | 16'-4" / 5M | 462 | 90+ | 3500K | 16'-4" |
| LTR-P-24V-5.8W-40K-16 | 24VDC | 16'-4" / 5M | 473 | 90+ | 4000K | 16'-4" |
| LTR-P-24V-5.8W-50K-16 | 24VDC | 16'-4" / 5M | 493 | 90+ | 5000K | 16'-4" |
| LTR-P-24V-5.8W-24K-100 | 24VDC | 98'-6" / 30M | 390 | 90+ | 2400K | 16'-4" |
| LTR-P-24V-5.8W-27K-100 | 24VDC | 98'-6" / 30M | 404 | 90+ | 2700K | 16'-4" |
| LTR-P-24V-5.8W-30K-100 | 24VDC | 98'-6" / 30M | 423 | 90+ | 3000K | 16'-4" |
| LTR-P-24V-5.8W-35K-100 | 24VDC | 98'-6" / 30M | 462 | 90+ | 3500K | 16'-4" |
| LTR-P-24V-5.8W-40K-100 | 24VDC | 98'-6" / 30M | 473 | 90+ | 4000K | 16'-4" |
| LTR-P-24V-5.8W-50K-100 | 24VDC | 98'-6" / 30M | 493 | 90+ | 5000K | 16'-4" |

NOTE: Kelvin temperature (color) $\pm 100K$.

16'-4" and 98'-6" and 250' reel includes 48' lead affixed to tape. 16'-4" reel includes (3) ESTW-60 Sure-Tite connectors. 98'-6" reel includes (10) ESTW-60 Sure-Tite connectors. 250' reel includes (20) ESTW-60 Sure-Tite connectors.

Complete Your Installation

| | |
|--|-----|
| Sure-Tite Dry Connection Connectors | 50 |
| LED Tape Mounting Channels, Lens and Accessories | 55 |
| Power Supplies (sections begin on page)..... | 193 |
| GM Lighting Wire..... | 53 |
| Product Diagrams..... | 44 |
| LED Controls..... | 44 |

LTR-P

Pro Series Outdoor Location

Why stay indoors when you can bring the beauty of Pro Series LED linear to the environment? With Pro Series Wet Location tape you can specify simple or complex runs, and leave the rest up to us! Performance driven Professional Series LED Tape: not just for indoors.

KEY FEATURES:

- 24VDC
- 1.5W/ft., 3.0W/ft., 5.8W/ft.
- 90+ CRI
- Wet location
- Premium diodes
- Available in multiple color temps and amber, blue, green and red
- 120 LED's/meter (36/ft.)
- Up to 493 lumens/foot
- IP65
- Dimmable
- Field configurable in 2" increments
- Custom cuts available, see configurator on page 25 or consult factory
- Max. run: 1.5W=60' / 3W=32'-8" 5.8W=16'-4"
- 10mm PCB width
- 3M adhesive back
- UL listed
- 5 year warranty when used with GM power supply

24 VOLT

JWET LOCATION

90+ CRI

CLASS 2

IP 65

5 Yr. WARRANTY

UL US



Wet Location Product No. Example

LTR-P-WP-24V- X.XW-XXK-XX-X"

| SERIES PREFIX (P = PRO) | LOCATION WP = OUTDOOR | VOLTAGE 24V ONLY | WATTS / FOOT 1.5 3.0 5.8 | COLOR TEMP 24K = 2400K 27K = 2700K 30K = 3000K 35K = 3500K 40K = 4000K 50K = 5000K AM=AMBER BL=BLUE GR=GREEN RD=RED | LENGTH 16' = 16'-4" CUSTOM CUT FEET-INCHES (CUTS MADE IN 2" INCREMENTS) |
|----------------------------|--------------------------|---------------------|-----------------------------------|---|--|
|----------------------------|--------------------------|---------------------|-----------------------------------|---|--|

TITLE 24 COMPLIES WITH TITLE 24 WHEN USED WITH SPECIFIC DRIVERS. CONSULT FACTORY.

**FOR PROPER THERMAL MANAGEMENT,
MOUNT THIS PRODUCT IN CHANNEL
(REQUIRED FOR 5.8W)**

ORDERING INFORMATION

| Product No. | Output | Length | Lumens per ft. | CRI | Color Temp. | Max. Run |
|---------------------------|--------|--|----------------|-------|-------------|----------|
| LTR-P-WP-24V-1.5W-24K-16 | 24VDC | 16'-4" / 5M | 102 | 90+ | 2400K | 60' |
| LTR-P-WP-24V-1.5W-27K-16 | 24VDC | 16'-4" / 5M | 109 | 90+ | 2700K | 60' |
| LTR-P-WP-24V-1.5W-30K-16 | 24VDC | 16'-4" / 5M | 121 | 90+ | 3000K | 60' |
| LTR-P-WP-24V-1.5W-35K-16 | 24VDC | 16'-4" / 5M | 121 | 90+ | 3500K | 60' |
| LTR-P-WP-24V-1.5W-40K-16 | 24VDC | 16'-4" / 5M | 136 | 90+ | 4000K | 60' |
| LTR-P-WP-24V-1.5W-50K-16 | 24VDC | 16'-4" / 5M | 144 | 90+ | 5000K | 60' |
| LTR-P-WP-24V-1.5W-24K-FT | 24VDC | CUSTOM LENGTH: SEE PAGE 25 ON HOW TO CONFIGURE A CUSTOM RUN. DO NOT EXCEED MAX RUN | 102 | 90+ | 2400K | 60' |
| LTR-P-WP-24V-1.5W-27K-FT | 24VDC | | 109 | 90+ | 2700K | 60' |
| LTR-P-WP-24V-1.5W-30K-FT | 24VDC | | 121 | 90+ | 3000K | 60' |
| LTR-P-WP-24V-1.5W-35K-FT | 24VDC | | 121 | 90+ | 3500K | 60' |
| LTR-P-WP-24V-1.5W-40K-FT | 24VDC | | 136 | 90+ | 4000K | 60' |
| LTR-P-WP-24V-1.5W-50K-FT | 24VDC | 144 | 90+ | 5000K | 60' | |
| LTR-P-WP-24V-1.5W-24K-100 | 24VDC | 98'-6" / 30M | 102 | 90+ | 2400K | 60' |
| LTR-P-WP-24V-1.5W-27K-100 | 24VDC | 98'-6" / 30M | 109 | 90+ | 2700K | 60' |
| LTR-P-WP-24V-1.5W-30K-100 | 24VDC | 98'-6" / 30M | 121 | 90+ | 3000K | 60' |
| LTR-P-WP-24V-1.5W-35K-100 | 24VDC | 98'-6" / 30M | 121 | 90+ | 3500K | 60' |
| LTR-P-WP-24V-1.5W-40K-100 | 24VDC | 98'-6" / 30M | 136 | 90+ | 4000K | 60' |
| LTR-P-WP-24V-1.5W-50K-100 | 24VDC | 98'-6" / 30M | 144 | 90+ | 5000K | 60' |

16'-4" reel includes 48" lead affixed to tape and a cut and cap accessories kit that includes mounting clips and screws. Field configurable or custom cuts. Wet location connectors (TTC-3,-6,-12,-24) are sold separately in factory custom cuts and runs. 100 ft. reel supplied with 48in lead and WPKT-100 wet location kit. The kit consists of 100 clips and 200 screws. Connectors sold separately. Silicone by others.

ORDERING INFORMATION

| Product No. | Output | Length | Lumens per ft. | CRI | Color Temp. | Max. Run |
|---------------------------|--------|--|----------------|-----|-------------|----------|
| LTR-P-WP-24V-1.5W-AM-FT* | 24VDC | CUSTOM LENGTH: SEE PAGE 25 ON HOW TO CONFIGURE A CUSTOM RUN. DO NOT EXCEED MAX RUN | 210 | 90+ | AMBER | 60' |
| LTR-P-WP-24V-1.5W-BL-FT* | 24VDC | | 225 | 90+ | BLUE | 60' |
| LTR-P-WP-24V-1.5W-GR-FT* | 24VDC | | 242 | 90+ | GREEN | 60' |
| LTR-P-WP-24V-1.5W-RD-FT* | 24VDC | | 246 | 90+ | RED | 60' |
| LTR-P-WP-24V-1.5W-AM-100 | 24VDC | 98'-6" / 30M | 210 | 90+ | AMBER | 60' |
| LTR-P-WP-24V-1.5W-BL-100 | 24VDC | 98'-6" / 30M | 225 | 90+ | BLUE | 60' |
| LTR-P-WP-24V-1.5W-GR-100 | 24VDC | 98'-6" / 30M | 242 | 90+ | GREEN | 60' |
| LTR-P-WP-24V-1.5W-RD-100 | 24VDC | 98'-6" / 30M | 246 | 90+ | RED | 60' |
| LTR-P-WP-24V-3.0W-24K-16 | 24VDC | 16'-4" / 5M | 210 | 90+ | 2400K | 32'-8" |
| LTR-P-WP-24V-3.0W-27K-16 | 24VDC | 16'-4" / 5M | 225 | 90+ | 2700K | 32'-8" |
| LTR-P-WP-24V-3.0W-30K-16 | 24VDC | 16'-4" / 5M | 242 | 90+ | 3000K | 32'-8" |
| LTR-P-WP-24V-3.0W-35K-16 | 24VDC | 16'-4" / 5M | 246 | 90+ | 3500K | 32'-8" |
| LTR-P-WP-24V-3.0W-40K-16 | 24VDC | 16'-4" / 5M | 254 | 90+ | 4000K | 32'-8" |
| LTR-P-WP-24V-3.0W-50K-16 | 24VDC | 16'-4" / 5M | 265 | 90+ | 5000K | 32'-8" |
| LTR-P-WP-24V-3.0W-24K-FT | 24VDC | CUSTOM LENGTH: SEE PAGE 25 ON HOW TO CONFIGURE A CUSTOM RUN. DO NOT EXCEED MAX RUN | 210 | 90+ | 2400K | 32'-8" |
| LTR-P-WP-24V-3.0W-27K-FT | 24VDC | | 225 | 90+ | 2700K | 32'-8" |
| LTR-P-WP-24V-3.0W-30K-FT | 24VDC | | 242 | 90+ | 3000K | 32'-8" |
| LTR-P-WP-24V-3.0W-35K-FT | 24VDC | | 246 | 90+ | 3500K | 32'-8" |
| LTR-P-WP-24V-3.0W-40K-FT | 24VDC | | 254 | 90+ | 4000K | 32'-8" |
| LTR-P-WP-24V-3.0W-50K-FT | 24VDC | | 265 | 90+ | 5000K | 32'-8" |
| LTR-P-WP-24V-3.0W-24K-100 | 24VDC | 98'-6" / 30M | 210 | 90+ | 2400K | 32'-8" |
| LTR-P-WP-24V-3.0W-27K-100 | 24VDC | 98'-6" / 30M | 225 | 90+ | 2700K | 32'-8" |
| LTR-P-WP-24V-3.0W-30K-100 | 24VDC | 98'-6" / 30M | 242 | 90+ | 3000K | 32'-8" |
| LTR-P-WP-24V-3.0W-35K-100 | 24VDC | 98'-6" / 30M | 246 | 90+ | 3500K | 32'-8" |
| LTR-P-WP-24V-3.0W-40K-100 | 24VDC | 98'-6" / 30M | 254 | 90+ | 4000K | 32'-8" |
| LTR-P-WP-24V-3.0W-50K-100 | 24VDC | 98'-6" / 30M | 265 | 90+ | 5000K | 32'-8" |
| LTR-P-WP-24V-5.8W-24K-16 | 24VDC | 16'-4" / 5M | 390 | 90+ | 2400K | 16'-4" |
| LTR-P-WP-24V-5.8W-27K-16 | 24VDC | 16'-4" / 5M | 404 | 90+ | 2700K | 16'-4" |
| LTR-P-WP-24V-5.8W-30K-16 | 24VDC | 16'-4" / 5M | 423 | 90+ | 3000K | 16'-4" |
| LTR-P-WP-24V-5.8W-35K-16 | 24VDC | 16'-4" / 5M | 462 | 90+ | 3500K | 16'-4" |
| LTR-P-WP-24V-5.8W-40K-16 | 24VDC | 16'-4" / 5M | 473 | 90+ | 4000K | 16'-4" |
| LTR-P-WP-24V-5.8W-50K-16 | 24VDC | 16'-4" / 5M | 493 | 90+ | 5000K | 16'-4" |
| LTR-P-WP-24V-5.8W-24K-FT | 24VDC | CUSTOM LENGTH: SEE PAGE 25 ON HOW TO CONFIGURE A CUSTOM RUN. DO NOT EXCEED MAX RUN | 390 | 90+ | 2400K | 16'-4" |
| LTR-P-WP-24V-5.8W-27K-FT | 24VDC | | 404 | 90+ | 2700K | 16'-4" |
| LTR-P-WP-24V-5.8W-30K-FT | 24VDC | | 423 | 90+ | 3000K | 16'-4" |
| LTR-P-WP-24V-5.8W-35K-FT | 24VDC | | 462 | 90+ | 3500K | 16'-4" |
| LTR-P-WP-24V-5.8W-40K-FT | 24VDC | | 473 | 90+ | 4000K | 16'-4" |
| LTR-P-WP-24V-5.8W-50K-FT | 24VDC | | 493 | 90+ | 5000K | 16'-4" |
| LTR-P-WP-24V-5.8W-24K-100 | 24VDC | 98'-6" / 30M | 390 | 90+ | 2400K | 16'-4" |
| LTR-P-WP-24V-5.8W-27K-100 | 24VDC | 98'-6" / 30M | 404 | 90+ | 2700K | 16'-4" |
| LTR-P-WP-24V-5.8W-30K-100 | 24VDC | 98'-6" / 30M | 423 | 90+ | 3000K | 16'-4" |
| LTR-P-WP-24V-5.8W-35K-100 | 24VDC | 98'-6" / 30M | 462 | 90+ | 3500K | 16'-4" |
| LTR-P-WP-24V-5.8W-40K-100 | 24VDC | 98'-6" / 30M | 473 | 90+ | 4000K | 16'-4" |
| LTR-P-WP-24V-5.8W-50K-100 | 24VDC | 98'-6" / 30M | 493 | 90+ | 5000K | 16'-4" |

16'-4" reel includes 48" lead affixed to tape and a cut and cap accessories kit that includes mounting clips and screws. Field configurable or custom cuts. Wet location connectors (TTC-3,-6,-12,-24) are sold separately in factory custom cuts and runs. 100 ft. reel supplied with 48in lead and WPKT-100 wet location kit. The kit consists of 100 clips and 200 screws. Connectors sold separately. Silicone by others.

Complete Your Installation

| | |
|--|-----|
| LTR-P-WP Configurator | 25 |
| LED Tape Mounting Channels, Lens and Accessories | 55 |
| Power Supplies (sections begin on page)..... | 193 |
| Wet Location SureTite Connectors | 51 |
| Wet Location Wire Splice Connector..... | 53 |
| GM Lighting Wire..... | 53 |
| Product Diagrams..... | 44 |
| Specifying long runs with multiple strips and connectors | 24 |

LEDTask™ LED Tape

LTR-P Professional Series

Wet Location Run

Our LTR-P-WP tape comes in 16'-4" and 100' reels that include mounting brackets, screws and connector. Laying out a simple run that does not exceed the maximum run is simple (60' for 1.5W, 32'-8" for 3.0W and 16'-4" for 5.8W).

However, when your run includes connectors of different lengths, then we make specifying that run easy! The configurator on the opposite page will give you a great overview of what goes into a factory - configured run. That's right - you lay it out, and we do the work.

1. Power Feed Connector: 12 feet of lead is supplied to applicable 24V GM LINEdrive Power Supply. NOTE: 5 year warranty is active when used with GM power supply.

24V Power Supplies Starting on page 193

Power feed included (with per ft. order)

ADD A MOUNTING CHANNEL. SEE BELOW

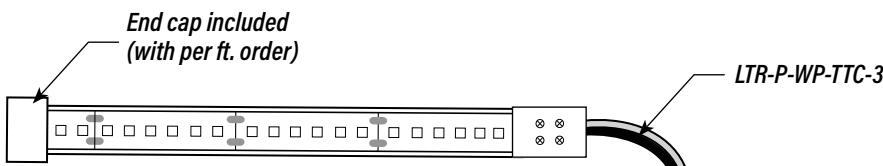
MOUNTING CHANNELS COMPATIBLE WITH WET LOCATION LED TAPE

| Product No. | Description |
|-----------------|--|
| LED-CHL-45-1200 | Extruded angled (45°) channel. Includes snap-on frosted lens with mounting clips and screws. 4ft. |
| LED-CHL-XD | Extra deep format extruded channel. Includes snap-on frosted lens with mounting clips and screws. 4ft. |
| LED-CHL-XD-8 | Extra deep format extruded channel. Includes snap-on frosted lens with mounting clips and screws. 8ft. |
| LED-CHL-XD-F | Extra deep format extruded channel with flange. Includes snap-on frosted lens with mounting clips and screws. 4ft. |
| LED-CHL-XD-F-8 | Extra deep format extruded channel with flange. Includes snap-on frosted lens with mounting clips and screws. 8ft. |

Note: For channel and connector dimensions, see page 51, 55.

2. Specify your first length of LTR-P-WP tape. Subsequent lengths that are interconnected can be listed in the configurator.

3. Your first connector. Choose from the Connectors Chart on opposite page. Other connectors that belong in your run are also chosen from this chart.



5. Your end of run is terminated by an end cap. Follow the step by step instructions on the next page or log on for our LTR-P-WP configurator.

4. Select more lengths, connected by more connectors. Make sure that you do not exceed max. run.

OUR WP TAPE CAN NOW BE FIELD CUTTABLE AND CONNECTABLE. SEE VIDEO.

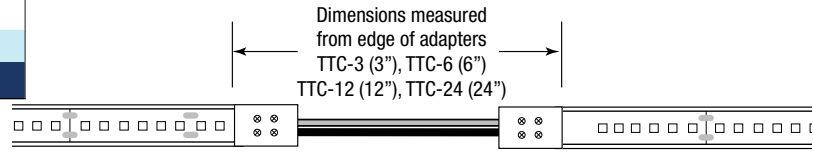


LTR-P Professional Series Configurator

CONNECTORS CHART

| Product No. | Description |
|-----------------|--|
| LTR-P-WP-TTC-3 | 3" tape to tape connector |
| LTR-P-WP-TTC-6 | 6" tape to tape connector |
| LTR-P-WP-TTC-12 | 12" tape to tape connector |
| LTR-P-WP-TTC-24 | 24" tape to tape connector |
| LTR-P-WP-TPC-12 | 12ft. tape to power supply connector, end cap included |
| LTR-P-WP-EC | End cap for wet location tape |

ALSO COMPATIBLE WITH LTR-S-COB-WP WET LOCATION LED TAPE, PG. 32

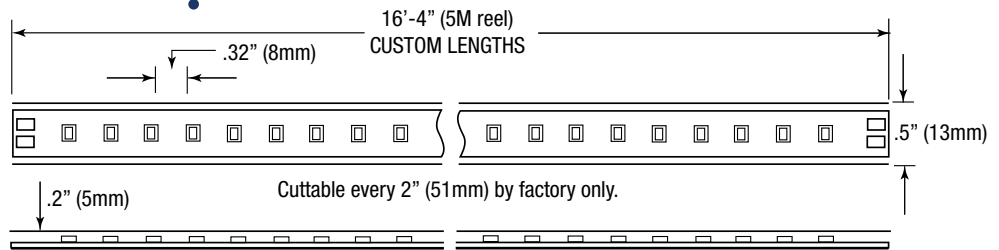


DIRECTIONS FOR SPECIFYING YOUR LTR-P SERIES OUTDOOR RUN

- Plan your run so it does not exceed 60 feet (1.5W), 32'-8" (3.0W) or 16'-4" (5.8W). Max. run from one power supply is 60'.
- All runs start with a (included) 12 foot Power Feed (in this example it is a LTR-P-WP-TPC-12). Lead wires are field adjustable.
- Select wattage and color temperature
- Enter strip and connector lengths. Interactive form available at www.gmlighting.net
- All runs are terminated with an end cap.
- Submit your order to factory. Your completely assembled run will be delivered, ready to install.

NOTE:
Cuts will be made to the nearest 2 inch increments. Please keep in mind when specifying tight layouts.

NOTE: DO NOT SUBMERGE DIRECTLY IN WATER. YOU CAN ALSO FIND A CONFIGURATOR ON WWW.GMLIGHTING.NET



| 1 Power Feed | 2 LTR-P-WP-24V Strip 1 | 3 Connector 1 | 4 LTR-P-WP-24V Strip 2 | 5 Connector 2 | 6 LED Strip 3 | 7 Connector 3 | 8 LED Strip 4 |
|---|---|---|--|---|---|---|--|
| LTR-P-WP-TPC-12 | LTR-P-WP-24V-____-____-____ | TTC-____ | LTR-P-WP-24V-____-____-____ | TTC-____ | LTR-P-WP-24V-____-____-____ | TTC-____ | LTR-P-WP-24V-____-____-____ |
| SPECIFY: 12 FOOT TAPE TO POWER CONNECTOR | SPECIFY: WATTAGE (WATTS/FT.) 1.5 - 1.5W 3.0 - 3W, 5.8 - 5.8W Color Temp. 24K - 2400K 27K - 2700K 30K - 3000K 35K - 3500K 40K - 4000K 50K - 5000K AM - AMBER BL - BLUE GR - GREEN RD - RED Length: 2" INCREMENTS Example: 4'-8" length: LTR-P-WP-24V-3.0-27K-4'8" | SPECIFY: 3 3" Connector 6 6" Connector 12 12" Connector 24 24" Connector | SPECIFY: WATTAGE (WATTS/FT.) 1.5 - 1.5W 3.0 - 3W, 5.8 - 5.8W Color Temp. 24K - 2400K 27K - 2700K 30K - 3000K 35K - 3500K 40K - 4000K 50K - 5000K AM - AMBER BL - BLUE GR - GREEN RD - RED Length: 2" INCREMENTS Example: 12' length: LTR-P-WP-24V-3.0-27K-12' | SPECIFY: 3 3" Connector 6 6" Connector 12 12" Connector 24 24" Connector | SPECIFY: WATTAGE (WATTS/FT.) 1.5 1.5 - 1.5W 3.0 - 3W, 5.8 - 5.8W Color Temp. 24K - 2400K 27K - 2700K 30K - 3000K 35K - 3500K 40K - 4000K 50K - 5000K AM - AMBER BL - BLUE GR - GREEN RD - RED Length: 2" INCREMENTS Example: 16'-2" length: LTR-P-WP-24V-3.0-27K-16'2" | SPECIFY: 3 3" Connector 6 6" Connector 12 12" Connector 24 24" Connector | SPECIFY: Wattage (Watts/Ft.) 1.5 - 1.5W 3.0 - 3W, 5.8 - 5.8W Color Temp. 24K - 2400K 27K - 2700K 30K - 3000K 35K - 3500K 40K - 4000K 50K - 5000K AM - AMBER BL - BLUE GR - GREEN RD - RED Length: 2" INCREMENTS Example: 9'10" length: LTR-P-WP-24V-3.0-27K-9'10" |

Selecting a Power Supply: This example of a 2700K Run of 3W Tape (24' total length x 3W/ft = 72W)

| | | | | | | | |
|-----------------|-------------------------|-------|-------------------------|--------|-------------------------|-------|-------------------------|
| LTR-P-WP-TPC-12 | LTR-P-WP-24V-3.0-27K-4' | TTC-3 | LTR-P-WP-24V-3.0-27K-6' | TTC-12 | LTR-P-WP-24V-3.0-27K-7' | TTC-6 | LTR-P-WP-24V-3.0-27K-7' |
|-----------------|-------------------------|-------|-------------------------|--------|-------------------------|-------|-------------------------|

* We recommend a 25% - 80% load for optimal performance with magnetic power supply and 10% - 100% with electronic power supply. For a complete list of power supplies see page 193.





LTR-S

Specification Series

Our Specification Series provides the ultimate architectural-grade option. Incorporating features that defines the Spec Series as truly state of the art linear LED tape for applications that not only require, but demand the best optics in the industry.

KEY FEATURES:

- 24VDC
- 2.5W/ft. and 5.8W/ft.
- 95+ CRI
- Dry location
- Premium diodes
- 160 LED's/meter (48LEDs/ft.)
- Up to 750 lumens/foot
- IP20
- Dimmable
- Cuttable every 1"
- 16'-4" and 98'-6" reels
- 3M adhesive back
- 48" of lead affixed at start of reel
- Max. run: 2.5W=32'-8" 5.8W=16'-4"
- Custom lengths available consult factory
- UL listed
- 5 year warranty when used with GM power supply

24 VOLT

DRY LOCATION

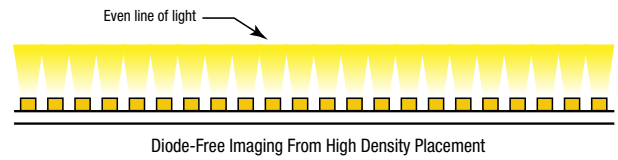
90+ CRI

CLASS 2

FIELD CUTTABLE

5Yr. WARRANTY

UL US



Standard Tape Product No. Example

LTR-S - 24V - X.XW - XXK - XX

SERIES PREFIX
(S = SPEC)

VOLTAGE

WATTS / FOOT
2.5
5.8

COLOR TEMP
27K = 2700K
30K = 3000K
35K = 3500K
40K = 4000K

REEL LENGTH
16 = 16'-4"
100 = 98'-6"

TITLE 24 COMPLIES WITH TITLE 24 WHEN USED WITH SPECIFIC DRIVERS. CONSULT FACTORY.

FOR PROPER THERMAL MANAGEMENT, MOUNT THIS PRODUCT IN CHANNEL (REQUIRED FOR 5.8W)

ORDERING INFORMATION

| Product No. | Output | Wattage per foot | Length | Lumens per foot | CRI | Color Temp. | Max. Run |
|------------------------|--------|------------------|--------------|-----------------|-----|-------------|----------|
| LTR-S-24V-2.5W-27K-16 | 24VDC | 2.5W | 16'-4" / 5M | 216 | 95+ | 2700K | 32'-8" |
| LTR-S-24V-2.5W-30K-16 | 24VDC | 2.5W | 16'-4" / 5M | 224 | 95+ | 3000K | 32'-8" |
| LTR-S-24V-2.5W-35K-16 | 24VDC | 2.5W | 16'-4" / 5M | 219 | 95+ | 3500K | 32'-8" |
| LTR-S-24V-2.5W-40K-16 | 24VDC | 2.5W | 16'-4" / 5M | 261 | 95+ | 4000K | 32'-8" |
| LTR-S-24V-2.5W-27K-100 | 24VDC | 2.5W | 98'-6" / 30M | 216 | 95+ | 2700K | 32'-8" |
| LTR-S-24V-2.5W-30K-100 | 24VDC | 2.5W | 98'-6" / 30M | 224 | 95+ | 3000K | 32'-8" |
| LTR-S-24V-2.5W-35K-100 | 24VDC | 2.5W | 98'-6" / 30M | 219 | 95+ | 3500K | 32'-8" |
| LTR-S-24V-2.5W-40K-100 | 24VDC | 2.5W | 98'-6" / 30M | 261 | 95+ | 4000K | 32'-8" |
| LTR-S-24V-5.8W-27K-16 | 24VDC | 5.8W | 16'-4" / 5M | 520 | 95+ | 2700K | 16'-4" |
| LTR-S-24V-5.8W-30K-16 | 24VDC | 5.8W | 16'-4" / 5M | 519 | 95+ | 3000K | 16'-4" |
| LTR-S-24V-5.8W-35K-16 | 24VDC | 5.8W | 16'-4" / 5M | 513 | 95+ | 3500K | 16'-4" |
| LTR-S-24V-5.8W-40K-16 | 24VDC | 5.8W | 16'-4" / 5M | 504 | 95+ | 4000K | 16'-4" |
| LTR-S-24V-5.8W-27K-100 | 24VDC | 5.8W | 98'-6" / 30M | 520 | 95+ | 2700K | 16'-4" |
| LTR-S-24V-5.8W-30K-100 | 24VDC | 5.8W | 98'-6" / 30M | 519 | 95+ | 3000K | 16'-4" |
| LTR-S-24V-5.8W-35K-100 | 24VDC | 5.8W | 98'-6" / 30M | 513 | 95+ | 3500K | 16'-4" |
| LTR-S-24V-5.8W-40K-100 | 24VDC | 5.8W | 98'-6" / 30M | 504 | 95+ | 4000K | 16'-4" |

Kelvin temperature (color) ±100K. 16'-4" and 98'-6" reel includes 48" lead affixed to tape. 16'-4" reel includes (3) ESTW-60 Sure-Tite connectors. 98'-6" reel includes (10) ESTW-60 Sure-Tite connectors.

Complete Your Installation

| | |
|--|----|
| Sure-Tite Dry Connection Connectors | 50 |
| LED Tape Mounting Channels, Lens and Accessories | 55 |

LTR-S

24
VOLT



90+
CRI

CLASS
2



5Yr.
WARRANTY



High Output LED Tape

GM Lighting's new high lumen LTR-S Series LED tape is designed for integration into ceilings and other spaces where high lumen illumination is needed. Select from a variety of color temperatures and lumen outputs to brighten your space.

KEY FEATURES:

- 24VDC
- 8W/ft.
- 90+ CRI
- Dry location
- Premium diodes
- Over 1000 lumens/foot
- 275 LED's/meter (84LEDs/ft.)
- IP20
- Dimmable
- Cuttable every 2"
- 120° viewing angle
- 3M adhesive back
- 48" of lead affixed at start of reel
- Max. run: 8W=12'
- Custom lengths available consult factory
- ETL listed
- 5 year warranty when used with GM power supply



Standard Tape Product No. Example

LTR-S - HO - 24V - 8W - XXK - XX

SERIES PREFIX
(S = SPEC)

TYPE

VOLTAGE

WATTS / FOOT
8

COLOR TEMP
27K = 2700K
30K = 3000K
35K = 3500K
40K = 4000K

REEL LENGTH
Per Foot
100ft. reels

TITLE
24

COMPLIES WITH TITLE 24 WHEN USED WITH SPECIFIC DRIVERS. CONSULT FACTORY.

FOR PROPER THERMAL MANAGEMENT, MOUNT THIS PRODUCT IN CHANNEL (REQUIRED FOR 8W)

ORDERING INFORMATION

| Product No. | Output | Wattage per foot | Length | Lumens per foot | CRI | Color Temp. | Max. Run |
|-------------------------|--------|------------------|-----------------------------------|-----------------|-----|-------------|----------|
| LTR-S-HO-24V-8W-27K-FT | 24VDC | 8W | 100FT. REELS OR CUSTOM LENGTHS | 1115 | 90+ | 2700K | 12' |
| LTR-S-HO-24V-8W-30K-FT | 24VDC | 8W | | 1143 | 90+ | 3000K | 12' |
| LTR-S-HO-24V-8W-35K-FT | 24VDC | 8W | | 1148 | 90+ | 3500K | 12' |
| LTR-S-HO-24V-8W-40K-FT | 24VDC | 8W | | 1201 | 90+ | 4000K | 12' |
| LTR-S-HO-24V-8W-27K-100 | 24VDC | 8W | | 1115 | 90+ | 2700K | 12' |
| LTR-S-HO-24V-8W-30K-100 | 24VDC | 8W | | 1143 | 90+ | 3000K | 12' |
| LTR-S-HO-24V-8W-35K-100 | 24VDC | 8W | | 1148 | 90+ | 3500K | 12' |
| LTR-S-HO-24V-8W-40K-100 | 24VDC | 8W | | 1201 | 90+ | 4000K | 12' |

Kelvin temperature (color) ±100K. 16'-4" and 98'-6" reel includes 48" lead affixed to tape. 16'-4" reel includes (3) ESTW-60 Sure-Tite connectors. 98'-6" reel includes (10) ESTW-60 Sure-Tite connec-

Complete Your Installation

Sure-Tite Dry Connection Connectors 50
LED Tape Mounting Channels, Lens and Accessories 55

LTR-S

Chip-On-Board (COB) Indoor

Chip On Board is an exciting new 'state of the art' technology where multiple LED chips are encased in a row of phosphor producing a glare-free light source. Chip-on-board technology maintains not only the best performance, but it also provides improved flexibility and a longer life span.

KEY FEATURES:

- 24VDC
- 1.5W/ft. and 3.0W/ft.
- 95+ CRI
- Dry or Wet location (page 32)
- Premium diodes
- 512 LEDs/meter (156 LEDs/ft.)
- 180° viewing angle
- Dimmable
- Cuttable every 2"
- 16'-4" and 100' reels
- 3M adhesive back
- 48" of lead affixed at start of reel
- Max. run: 1.5W=32'-8" 3.0W=16'-4"
- UL listed
- 5 year warranty when used with GM power supply

24 VOLT



95+ CRI

CLASS 2



5 Yr WARRANTY



156 LEDs/FT

CAN BE CUT EVERY 2"

ACTUAL SIZE

TITLE 24 COMPLIES WITH TITLE 24 WHEN USED WITH SPECIFIC DRIVERS. CONSULT FACTORY.

Special Tape Product No. Example

LTR-S - XXX - XXV - X.XW - XXK - 16

SERIES PREFIX (S = SPEC)

TYPE COB

VOLTAGE 12V 24V

WATTS / FOOT 1.5W - 3.0W 1.5W (COB)

COLOR TEMP 27K = 2700K 30K = 3000K 35K = 3500K 40K = 4000K

REEL LENGTH 16 = 16'-4" 100 = 98'-6"

ORDERING INFORMATION

| Product No. | Output | Wattage per foot | Type | Length | Lumens per foot | CRI | Color Temp. | Max. Run |
|----------------------------|--------|------------------|------|--------------|-----------------|-----|-------------|----------|
| LTR-S-COB-24V-1.5W-27K-16 | 24VDC | 1.5W | COB | 16'-4" / 5M | 127 | 95+ | 2700K | 32'-8" |
| LTR-S-COB-24V-1.5W-30K-16 | 24VDC | 1.5W | COB | 16'-4" / 5M | 127 | 95+ | 3000K | 32'-8" |
| LTR-S-COB-24V-1.5W-35K-16 | 24VDC | 1.5W | COB | 16'-4" / 5M | 127 | 95+ | 3500K | 32'-8" |
| LTR-S-COB-24V-1.5W-40K-16 | 24VDC | 1.5W | COB | 16'-4" / 5M | 142 | 95+ | 4000K | 32'-8" |
| LTR-S-COB-24V-1.5W-27K-100 | 24VDC | 1.5W | COB | 98'-6" / 30M | 127 | 95+ | 2700K | 32'-8" |
| LTR-S-COB-24V-1.5W-30K-100 | 24VDC | 1.5W | COB | 98'-6" / 30M | 127 | 95+ | 3000K | 32'-8" |
| LTR-S-COB-24V-1.5W-35K-100 | 24VDC | 1.5W | COB | 98'-6" / 30M | 127 | 95+ | 3500K | 32'-8" |
| LTR-S-COB-24V-1.5W-40K-100 | 24VDC | 1.5W | COB | 98'-6" / 30M | 142 | 95+ | 4000K | 32'-8" |
| LTR-S-COB-24V-3.0W-27K-16 | 24VDC | 3.0W | COB | 16'-4" / 5M | 255 | 95+ | 2700K | 16'-4" |
| LTR-S-COB-24V-3.0W-30K-16 | 24VDC | 3.0W | COB | 16'-4" / 5M | 265 | 95+ | 3000K | 16'-4" |
| LTR-S-COB-24V-3.0W-35K-16 | 24VDC | 3.0W | COB | 16'-4" / 5M | 275 | 95+ | 3500K | 16'-4" |
| LTR-S-COB-24V-3.0W-40K-16 | 24VDC | 3.0W | COB | 16'-4" / 5M | 285 | 95+ | 4000K | 16'-4" |

16'-4" reel includes 48" lead affixed to tape and (3) ESTW-60 Sure-Tite connectors.

Complete Your Installation

| | |
|--|----|
| Sure-Tite Dry Connection Connectors | 50 |
| LED Tape Mounting Channels, Lens and Accessories | 55 |



LTR-S

Chip-On-Board (COB) Outdoor

Chip On Board is an exciting new 'state of the art' technology where multiple LED chips are encased in a row of phosphor producing a glare-free light source. Chip-on-board technology maintains not only the best performance, but it also provides improved flexibility and a longer life span.

KEY FEATURES:

- 24VDC
- 1.5W/ft. and 3.0W/ft.
- 95+ CRI
- Dry or Wet location
- Premium diodes
- 512 LEDs/meter (156 LEDs/ft.)
- 180° viewing angle
- IP65 (wet location)
- Dimmable
- Cuttable every 2"
- 32'-8" reels and custom cuts
- 3M adhesive back
- 48" of lead affixed at start of reel
- Max. run: 1.5W=32'-8" 3.0W=16'-4"
- Custom lengths available consult factory
- UL listed
- 5 year warranty when used with GM power supply

24 VOLT



95+ CRI

CLASS 2



IP 65

5Yr. WARRANTY



156 LEDs/FT

CAN BE CUT EVERY 2"

ACTUAL SIZE

TITLE 24 COMPLIES WITH TITLE 24 WHEN USED WITH SPECIFIC DRIVERS. CONSULT FACTORY.

Special Tape Product No. Example

LTR-S - XXX - XXV - X.XW - XXXK - XX

SERIES PREFIX (S = SPEC)

TYPE COBWP

VOLTAGE
12V
24V

WATTS / FOOT
1.5W
3.0W

COLOR TEMP
27K = 2700K
30K = 3000K
35K = 3500K
40K = 4000K

REEL LENGTH
32' = 32'-8"
CUSTOM CUT (COBWP)
FEET-INCHES (CUTS MADE IN 2" INCREMENTS)

ORDERING INFORMATION

| Product No. | Output | Wattage per foot | Type | Length | Lumens per foot | CRI | Color Temp. | Max. Run |
|-----------------------------|--------|------------------|-------|---|-----------------|-----|-------------|----------|
| LTR-S-COBWP-24V-1.5W-27K-FT | 24VDC | 1.5W | COBWP | CUSTOM LENGTH: SEE PAGE 25 ON HOW TO CONFIGURE A CUSTOM RUN. DO NOT EXCEED MAX RUN | 127 | 95+ | 2700K | 32'-8" |
| LTR-S-COBWP-24V-1.5W-30K-FT | 24VDC | 1.5W | COBWP | | 127 | 95+ | 3000K | 32'-8" |
| LTR-S-COBWP-24V-1.5W-35K-FT | 24VDC | 1.5W | COBWP | | 127 | 95+ | 3500K | 32'-8" |
| LTR-S-COBWP-24V-1.5W-40K-FT | 24VDC | 1.5W | COBWP | | 142 | 95+ | 4000K | 32'-8" |
| LTR-S-COBWP-24V-3.0W-27K-FT | 24VDC | 3.0W | COBWP | | 255 | 95+ | 2700K | 32'-8" |
| LTR-S-COBWP-24V-3.0W-30K-FT | 24VDC | 3.0W | COBWP | | 265 | 95+ | 3000K | 32'-8" |
| LTR-S-COBWP-24V-3.0W-35K-FT | 24VDC | 3.0W | COBWP | | 275 | 95+ | 3500K | 32'-8" |
| LTR-S-COBWP-24V-3.0W-40K-FT | 24VDC | 3.0W | COBWP | | 285 | 95+ | 4000K | 32'-8" |
| LTR-S-COBWP-24V-1.5W-27K-32 | 24VDC | 1.5W | COBWP | 32'-8" / 10M | 127 | 95+ | 2700K | 32'-8" |
| LTR-S-COBWP-24V-1.5W-30K-32 | 24VDC | 1.5W | COBWP | 32'-8" / 10M | 127 | 95+ | 3000K | 32'-8" |
| LTR-S-COBWP-24V-1.5W-35K-32 | 24VDC | 1.5W | COBWP | 32'-8" / 10M | 127 | 95+ | 3500K | 32'-8" |
| LTR-S-COBWP-24V-1.5W-40K-32 | 24VDC | 1.5W | COBWP | 32'-8" / 10M | 142 | 95+ | 4000K | 32'-8" |
| LTR-S-COBWP-24V-3.0W-27K-32 | 24VDC | 3.0W | COBWP | 32'-8" / 10M | 255 | 95+ | 2700K | 32'-8" |
| LTR-S-COBWP-24V-3.0W-30K-32 | 24VDC | 3.0W | COBWP | 32'-8" / 10M | 265 | 95+ | 3000K | 32'-8" |
| LTR-S-COBWP-24V-3.0W-35K-32 | 24VDC | 3.0W | COBWP | 32'-8" / 10M | 275 | 95+ | 3500K | 32'-8" |
| LTR-S-COBWP-24V-3.0W-40K-32 | 24VDC | 3.0W | COBWP | 32'-8" / 10M | 285 | 95+ | 4000K | 32'-8" |

The COBWP wet location 16'-4" reel includes 48" lead affixed to tape and a cut and cap accessories kit that includes mounting clips, screws and end caps. Field configurable or custom cuts. Wet location connectors (TTC-3,-6,-12,-24) are sold separately in factory custom cuts and runs.

Complete Your Installation

Sure-Tite Dry Connection Connectors 51
LED Tape Mounting Channels, Lens and Accessories55





ChromaDim

TUNABLE WHITE & DIMMING
LIGHTING CONTROL SYSTEM

PAGE 105

24 VOLT



90+ CRI

CLASS 2



5 Yr. WARRANTY



LTR-S

Tunable White LED Tape

The LTR-S-TUN-24V Tunable White LED Tape enables light to be 'fine tuned' over a spectrum of white color temperatures, therefore, allowing subtle to stark ambiance changes to match the mood, the event, or the subject illuminated. Our Tunable White LED Tape can be adjusted from 2400K to 5000K.

KEY FEATURES:

- 24VDC
- 1.5W/ft., 3.0W/ft. and 5W/ft.
- 90+ CRI
- 2400K to 5000K
- Dry location
- IP20
- Premium diodes
- 120 LED's/meter (36LEDs/ft.)
- 120° viewing angle
- Dimmable
- Controlled by LUXcontrol or ChromaDim
- Cuttable every 2"
- 3M adhesive back
- 48" of lead affixed at start of reel
- Max. run: 1.5W and 3W=32'-8" 5.0W=16'-4"
- Custom lengths available consult factory
- ETL listed
- 5 year warranty when used with GM power supply



Special Tape Product No. Example

LTR-S - TUN - 24V - X.XW - 16

SERIES PREFIX (S = SPEC)

TYPE

VOLTAGE

WATTS / FOOT
1.5W
3.0W
5.0W

REEL LENGTH
16 = 16'-4"
CUSTOM CUT FEET-INCHES (CUTS MADE IN 2" INCREMENTS)

TITLE 24 COMPLIES WITH TITLE 24 WHEN USED WITH SPECIFIC DRIVERS. CONSULT FACTORY.

FOR PROPER THERMAL MANAGEMENT, MOUNT THIS PRODUCT IN CHANNEL (RECOMMENDED FOR 5W)

ORDERING INFORMATION

| Product No. | Output | Wattage per foot | Type | Length | Lumens per foot | CRI | Color Temp. | Max. Run |
|------------------------|--------|------------------|------|-------------|-----------------|-----|-------------|----------|
| LTR-S-TUN-24V-1.5W-16 | 24VDC | 1.5W | TUN | 16'-4" / 5M | 162 (3500K) | 90+ | 2400K-5000K | 32'-8" |
| LTR-S-TUN-24V-1.5W-100 | 24VDC | 1.5W | TUN | 16'-4" / 5M | 162 (3500K) | 90+ | 2400K-5000K | 32'-8" |
| LTR-S-TUN-24V-1.5W-FT | 24VDC | 1.5W | TUN | 16'-4" / 5M | 162 (3500K) | 90+ | 2400K-5000K | 32'-8" |
| LTR-S-TUN-24V-3.0W-16 | 24VDC | 3.0W | TUN | 16'-4" / 5M | 267 (3500K) | 90+ | 2400K-5000K | 32'-8" |
| LTR-S-TUN-24V-3.0W-100 | 24VDC | 3.0W | TUN | 16'-4" / 5M | 267 (3500K) | 90+ | 2400K-5000K | 32'-8" |
| LTR-S-TUN-24V-3.0W-FT | 24VDC | 3.0W | TUN | 16'-4" / 5M | 267 (3500K) | 90+ | 2400K-5000K | 32'-8" |
| LTR-S-TUN-24V-5.0W-16 | 24VDC | 5.0W | TUN | 16'-4" / 5M | 415 (3500K) | 90+ | 2400K-5000K | 16'-4" |
| LTR-S-TUN-24V-5.0W-100 | 24VDC | 5.0W | TUN | 16'-4" / 5M | 415 (3500K) | 90+ | 2400K-5000K | 16'-4" |
| LTR-S-TUN-24V-5.0W-FT | 24VDC | 5.0W | TUN | 16'-4" / 5M | 415 (3500K) | 90+ | 2400K-5000K | 16'-4" |

16'-4" reel includes 48" lead affixed to tape.

CONNECTORS

| Connector Product No. | Description |
|-----------------------|--|
| LTR-S-TUN-SP | SPLICE CONNECTOR |
| LTR-S-TUN-TPC60 | 60" ADJUSTABLE TAPE TO POWER CONNECTOR |
| LTR-S-TUN-TTC3 | 3" ADJUSTABLE TAPE TO TAPE CONNECTOR |
| LTR-S-TUN-TTC12 | 12" ADJUSTABLE TAPE TO TAPE CONNECTOR |
| LTR-S-TUN-TTC24 | 24" ADJUSTABLE TAPE TO TAPE CONNECTOR |
| LTR-S-TUN-TTC36 | 36" ADJUSTABLE TAPE TO TAPE CONNECTOR |
| LTR-S-TUN-TTC60 | 60" ADJUSTABLE TAPE TO TAPE CONNECTOR |

Connectors ordered separately.



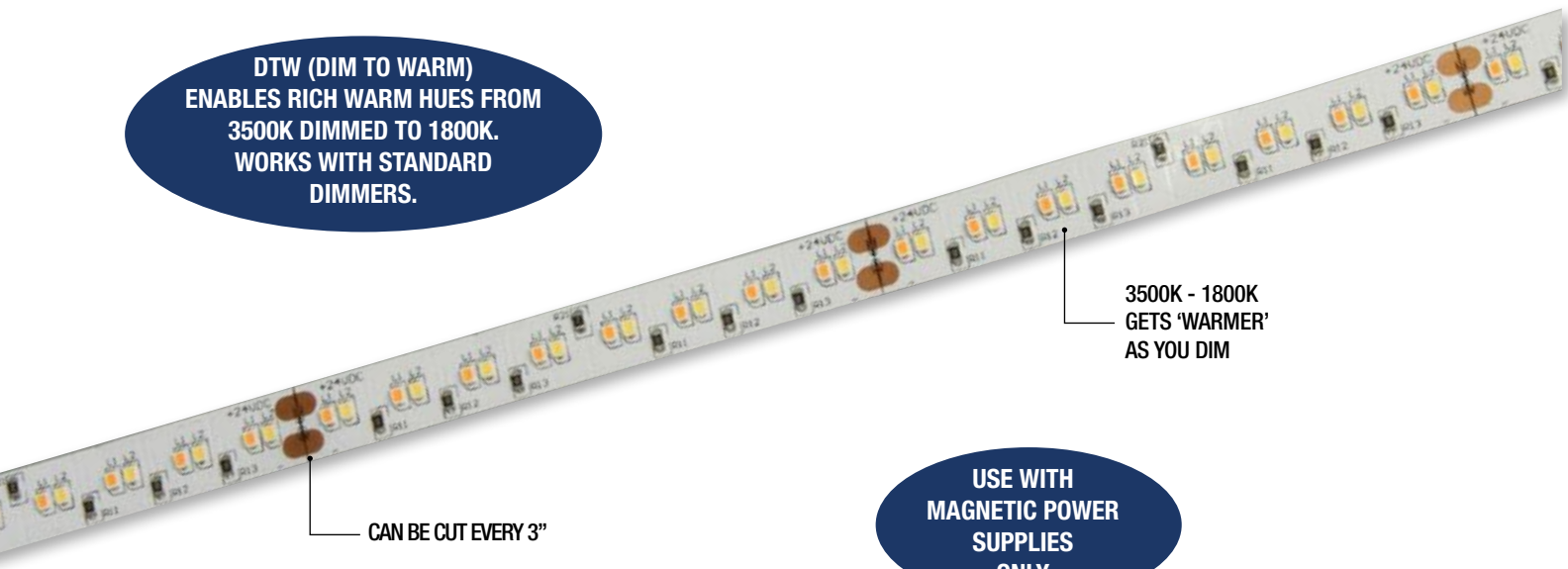
LTR-S TAPE DIAGRAMS: PAGE 45
COMPLETE LIST OF CHANNELS: PAGE 55
POWER SUPPLIES: PAGE 193

LTR-S SERIES DTW (DIM TO WARM) LED TAPE



Dim to warm trades light output for light color. When you dim a dim to warm fixture, you are affecting the color output of the source. Therefore, you aren't just manipulating light output, you are manipulating light ambience. The difference between 3500K and the warmer 1800K can make a huge difference in creating an environment where tone is dictated by light color.

**DTW (DIM TO WARM)
ENABLES RICH WARM HUES FROM
3500K DIMMED TO 1800K.
WORKS WITH STANDARD
DIMMERS.**



**USE WITH
MAGNETIC POWER
SUPPLIES
ONLY**

DTW KEY FEATURES

- Dims light and color temperature for a unique effect
- Mimics incandescent dimming effects
- Adds ambience to residential and hospitality environments
- Two-wire system for standard installation and dimming

Special Tape Product No. Example

LTR-S - DTW-24V-3.0W-16

| | | | | |
|------------------------------------|--------------------|-----------------------|-----------------------------|-----------------------------------|
| SERIES PREFIX (S = SPEC) | TYPE DTW | VOLTAGE 24V | WATTS / FOOT 3.0W | REEL LENGTH 16 = 16'-4" |
|------------------------------------|--------------------|-----------------------|-----------------------------|-----------------------------------|

ORDERING INFORMATION

| Product No. | Output | Wattage per foot | Type | Length | Lumens per foot | CRI | Color Temp. | Max. Run |
|-----------------------|--------|------------------|------|-------------|-----------------|-----|---------------|----------|
| LTR-S-DTW-24V-3.0W-16 | 24VDC | 3.0W | DTW | 16'-4" / 5M | 194 @3500K | 95+ | 3500K - 1800K | 32'-8" |

16'-4" reel includes 24" lead affixed to tape and (3) ESTW-60 Sure-Tite connectors.



Complete Your Installation

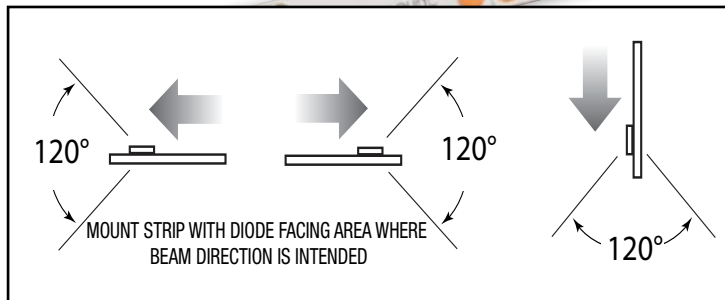
| | |
|--|-----|
| Sure-Tite Dry Connection Connectors | 50 |
| LED Tape Mounting Channels, Lens and Accessories | 55 |
| Power Supplies (sections begin on page)..... | 193 |
| GM Lighting Wire..... | 53 |
| Product Diagrams..... | 45 |

LTR-S SERIES SIDE VIEW AND TWIST-TASK LED TAPE

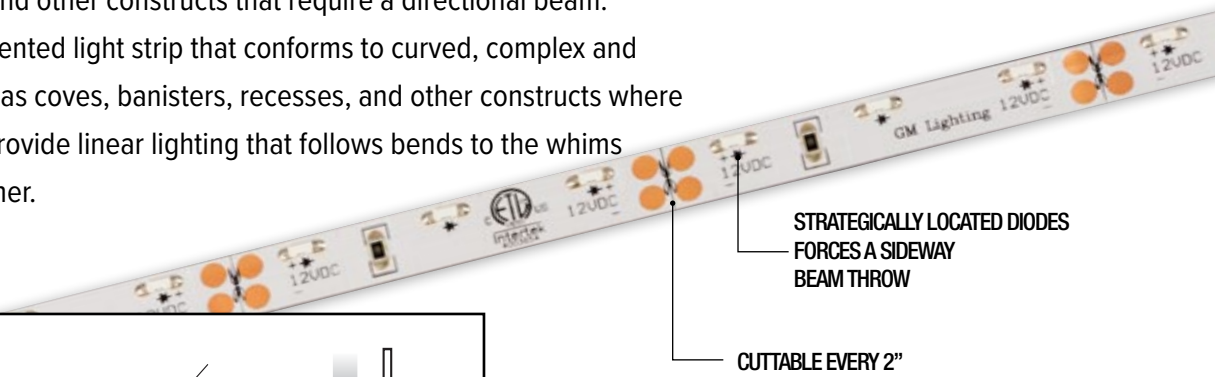


LEDtask™ Side View is a flexible LED linear tape that features strategically placed diodes that throw light out at an angle, making it perfect for coves, illuminating architectural detail and other constructs that require a directional beam.

Twist-Task is a segmented light strip that conforms to curved, complex and irregular forms such as coves, banisters, recesses, and other constructs where the challenge is to provide linear lighting that follows bends to the whims of the lighting designer.



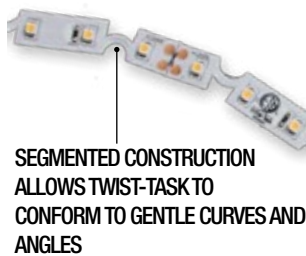
SIDE VIEW BEAM SPREAD DIAGRAM



Special Tape Product No. Example

LTR-S - XX -12V-X.XW-XXK-16

| | | | | | |
|------------------------------------|--|-----------------------|---|---|--------------------------------|
| SERIES PREFIX (S = SPEC) | TYPE SV (SIDE VIEW) TW (TWIST-TASK) | VOLTAGE 12V | WATTS / FOOT 1.5 (SV) 2.2 (TW) | COLOR TEMP 27K = 2700K 30K = 3000K 35K = 3500K 40K = 4000K | REEL LENGTH 16' - 4" |
|------------------------------------|--|-----------------------|---|---|--------------------------------|



CAN BE CUT EVERY 4"

ORDERING INFORMATION

| Product No. | Output | Wattage per foot | Type | Length | Lumens per foot | CRI | Color Temp. | Max. Run |
|--------------------------|--------|------------------|------------|-------------|-----------------|-----|-------------|----------|
| LTR-S-SV-12V-1.5W-27K-16 | 12VDC | 1.5W | SIDE VIEW | 16'-4" / 5M | 104 | 80+ | 2700K | 32'-8" |
| LTR-S-SV-12V-1.5W-30K-16 | 12VDC | 1.5W | SIDE VIEW | 16'-4" / 5M | 108 | 80+ | 3000K | 32'-8" |
| LTR-S-SV-12V-1.5W-35K-16 | 12VDC | 1.5W | SIDE VIEW | 16'-4" / 5M | 120 | 80+ | 3500K | 32'-8" |
| LTR-S-SV-12V-1.5W-40K-16 | 12VDC | 1.5W | SIDE VIEW | 16'-4" / 5M | 127 | 80+ | 4000K | 32'-8" |
| LTR-S-TW-12V-2.2W-27K-16 | 12VDC | 2.2W | TWIST-TASK | 16'-4" / 5M | 183 | 90+ | 2700K | 16'-4" |
| LTR-S-TW-12V-2.2W-30K-16 | 12VDC | 2.2W | TWIST-TASK | 16'-4" / 5M | 192 | 90+ | 3000K | 16'-4" |
| LTR-S-TW-12V-2.2W-35K-16 | 12VDC | 2.2W | TWIST-TASK | 16'-4" / 5M | 199 | 90+ | 3500K | 16'-4" |
| LTR-S-TW-12V-2.2W-40K-16 | 12VDC | 2.2W | TWIST-TASK | 16'-4" / 5M | 201 | 90+ | 4000K | 16'-4" |

16'-4" reel includes 24" lead affixed to tape. SV includes (3) STW-60 Sure-Tite connectors. TW includes (3) ESTW-60 connectors.

Complete Your Installation

| | |
|--|-----|
| Sure-Tite Dry Connection Connectors | 50 |
| LED Tape Mounting Channels, Lens and Accessories | 55 |
| Power Supplies (sections begin on page)..... | 193 |
| GM Lighting Wire..... | 53 |
| Product Diagrams..... | 45 |





24
VOLT

LTR-S

Specification Series RGBW and RGBW-WP

RGBW is the next step in color changing RGB linear lighting technology. With the RGBW, not only you have a virtually unlimited palette of color combinations, but you are also able to add true white 3000K as an alternate mode.



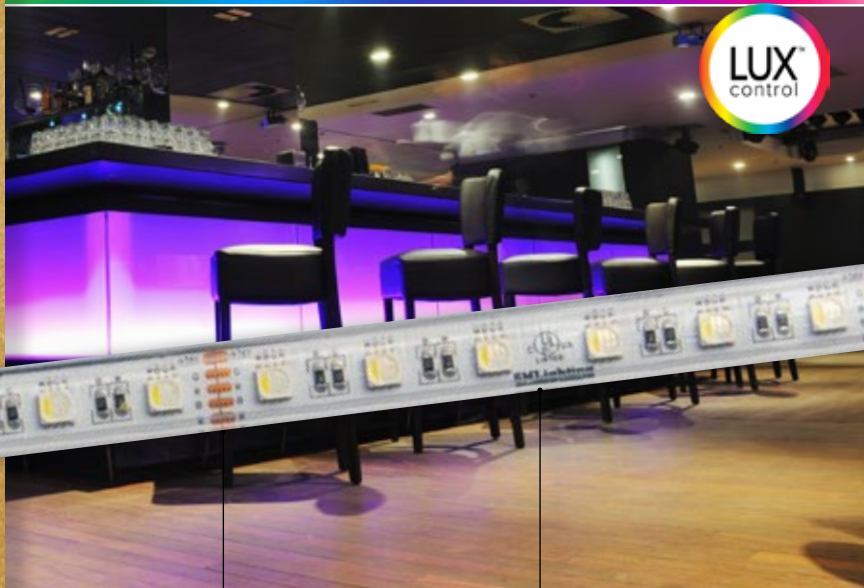
5 Yr.
WARRANTY



With both a dry and wet location 24VDC tape any environment can be home to true white 3000K, intense color saturation, transition effects, and fade to white effects. Available in 16'-4" (5M) reels. Custom lengths available - consult factory. Cut and cap only. Do not submerge in water. Wet location only.

KEY FEATURES:

- 24VDC
- 3.0W/ft. and 6.0W/ft.
- True White mode available in 3000K
- Dry or wet location
- 60 LED's/meter (20/ft.)
- 120° viewing angle
- Multiple control options: LUXcontrol™ Wireless or RF Remote or DMX (see page 97)
- Cuttable every 4"
- Wet location is cut and cap only
- 3M adhesive back
- Custom lengths available consult factory
- UL listed
- 5 year warranty when used with GM power supply



CAN BE CUT EVERY 4".
WET LOCATION (WP) CAN
ONLY BE CUT, CAPPED
AND TERMINATED

WET LOCATION ENCASED IN UV
PROTECTED OPTICAL CLEAR
WEATHER PROTECTED SILICONE
SHEATH

COLOR MIXED WITH 3000K WHITE

Ambiance combines with atmosphere and it's all under your control. Unlimited color effects and spectrums are yours in this specification grade tape.

Special Tape Product No. Example

LTR-S - XXV - WP - X.XW - RGBW - 16

SERIES PREFIX
(S = SPEC)

VOLTAGE
24V

LOCATION
WP = OUTDOOR

WATTS / FOOT
3.0W - 6.0W

COLOR

REEL
LENGTH
16 = 16'-4"

24V NON-DIMMING
POWER SUPPLY
REQUIRED

RGBW CONTROLLERS: PAGE 97
RGBW CONNECTORS: PAGE 50

ORDERING INFORMATION

| Product No. | Output | Wattage per foot | Type | Length | Lumens per foot in 3000K only mode | Max. Run |
|---------------------------|--------|------------------|---------|-------------|---------------------------------------|----------|
| LTR-S-24V-3.0W-RGBW-16 | 24VDC | 3W | RGBW | 16'-4" / 5M | 210 | 32'-8" |
| LTR-S-24V-3.0W-RGBW-32 | 24VDC | 3W | RGBW | 32'-8" / 5M | 210 | 32'-8" |
| LTR-S-24V-6.0W-RGBW-16 | 24VDC | 6W | RGBW | 16'-4" / 5M | 430 | 16'-4" |
| LTR-S-24V-WP-3.0W-RGBW-16 | 24VDC | 3W | RGBW-WP | 16'-4" / 5M | 210 | 32'-8" |
| LTR-S-24V-WP-3.0W-RGBW-32 | 24VDC | 3W | RGBW-WP | 32'-8" / 5M | 210 | 32'-8" |

16'-4" reel includes 48" lead affixed to tape.

RGBW includes 48" lead affixed to tape. RGBW-WP includes 48" lead affixed to tape and a cut and cap kit.

LTR-S RGBW TAPE DIAGRAMS: PAGE 45
COMPLETE LIST OF CHANNELS: PAGES 55
POWER SUPPLIES: PAGES 193



LTR-E

12
VOLT

24
VOLT



80+
CRI

CLASS
2



5Yr.
WARRANTY



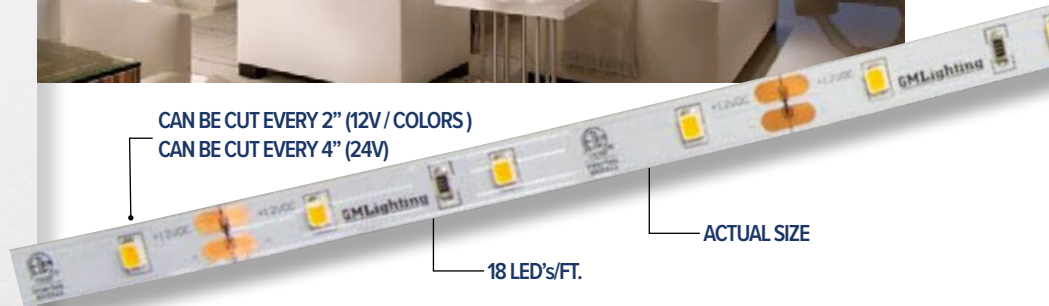
Econo Series

When an application is straight forward and standard in every respect but still calls for quality, reliability and versatility, then consider our Econo Series.

Available in either 12 or 24VDC, and a wide range of color temps and colors.

KEY FEATURES:

- 12VDC / 24VDC
- 1.5W / ft.
- 2700K, 3000K, 3500K, 4000K
- Amber, Blue, Green, Red
- 80+ CRI
- Dry Location
- IP20
- 60 LED's per meter (18/ft.)
- Dimmable
- Cuttable every 2" (12V & colors)
- Cuttable every 4" (24V)
- 3M adhesive back
- 48" lead affixed at start of reel
- Custom lengths available consult factory
- 5 year warranty when used with GM power supply



Product No. Example

LTR - E - XXV - 1.5W - XX - XX

SERIES PREFIX
(E = ECONO)

VOLTAGE
12V
24V

WATTS / FOOT

COLOR TEMP
27K = 2700K
30K = 3000K
35K = 3500K
40K = 4000K
AM = AMBER
BL = BLUE
GR = GREEN
RD = RED

REEL LENGTH
16 = 16'-4"
100 = 98'-6"

ORDERING INFORMATION

| Product No. | Output | Length | Lumens per ft. | CRI | Color Temp. | Max. Run |
|------------------------|--------|--------------|----------------|-----|-------------|----------|
| LTR-E-12V-1.5W-27K-16 | 12VDC | 16'-4" / 5M | 127 | 80+ | 2700K | 32'-8" |
| LTR-E-12V-1.5W-30K-16 | 12VDC | 16'-4" / 5M | 133 | 80+ | 3000K | 32'-8" |
| LTR-E-12V-1.5W-35K-16 | 12VDC | 16'-4" / 5M | 134 | 80+ | 3500K | 32'-8" |
| LTR-E-12V-1.5W-40K-16 | 12VDC | 16'-4" / 5M | 149 | 80+ | 4000K | 32'-8" |
| LTR-E-12V-1.5W-27K-100 | 12VDC | 98'-6" / 30M | 127 | 80+ | 2700K | 32'-8" |
| LTR-E-12V-1.5W-30K-100 | 12VDC | 98'-6" / 30M | 133 | 80+ | 3000K | 32'-8" |
| LTR-E-12V-1.5W-35K-100 | 12VDC | 98'-6" / 30M | 134 | 80+ | 3500K | 32'-8" |
| LTR-E-12V-1.5W-40K-100 | 12VDC | 98'-6" / 30M | 149 | 80+ | 4000K | 32'-8" |
| LTR-E-12V-1.5W-AM-16 | 12VDC | 16'-4" / 5M | N/A | N/A | AMBER | 32'-8" |
| LTR-E-12V-1.5W-BL-16 | 12VDC | 16'-4" / 5M | N/A | N/A | BLUE | 32'-8" |
| LTR-E-12V-1.5W-GR-16 | 12VDC | 16'-4" / 5M | N/A | N/A | GREEN | 32'-8" |
| LTR-E-12V-1.5W-RD-16 | 12VDC | 16'-4" / 5M | N/A | N/A | RED | 32'-8" |
| LTR-E-24V-1.5W-27K-16 | 24VDC | 16'-4" / 5M | 127 | 80+ | 2700K | 32'-8" |
| LTR-E-24V-1.5W-30K-16 | 24VDC | 16'-4" / 5M | 133 | 80+ | 3000K | 32'-8" |
| LTR-E-24V-1.5W-35K-16 | 24VDC | 16'-4" / 5M | 134 | 80+ | 3500K | 32'-8" |
| LTR-E-24V-1.5W-40K-16 | 24VDC | 16'-4" / 5M | 149 | 80+ | 4000K | 32'-8" |
| LTR-E-24V-1.5W-27K-100 | 24VDC | 98'-6" / 30M | 127 | 80+ | 2700K | 32'-8" |
| LTR-E-24V-1.5W-30K-100 | 24VDC | 98'-6" / 30M | 133 | 80+ | 3000K | 32'-8" |
| LTR-E-24V-1.5W-35K-100 | 24VDC | 98'-6" / 30M | 134 | 80+ | 3500K | 32'-8" |
| LTR-E-24V-1.5W-40K-100 | 24VDC | 98'-6" / 30M | 149 | 80+ | 4000K | 32'-8" |

16'-4" and 98'-6" reel includes 48" lead affixed to tape. Sure-Tite connectors not included.



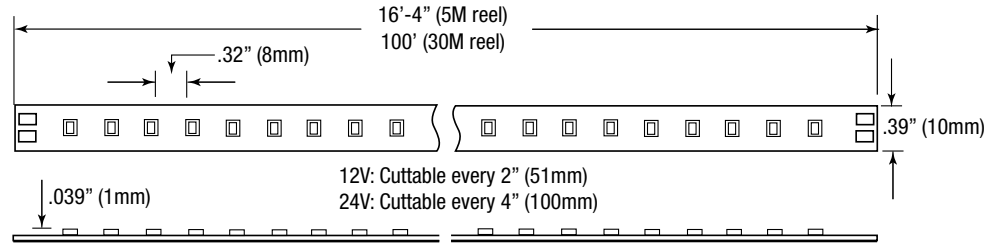
Complete Your Installation

| | |
|--|-----|
| Sure-Tite Dry Connection Connectors | 50 |
| LED Tape Mounting Channels, Lens and Accessories | 55 |
| Power Supplies (sections begin on page)..... | 193 |
| GM Lighting Wire..... | 53 |
| Product Diagrams..... | 45 |

LTR-P SERIES TAPE DIAGRAMS

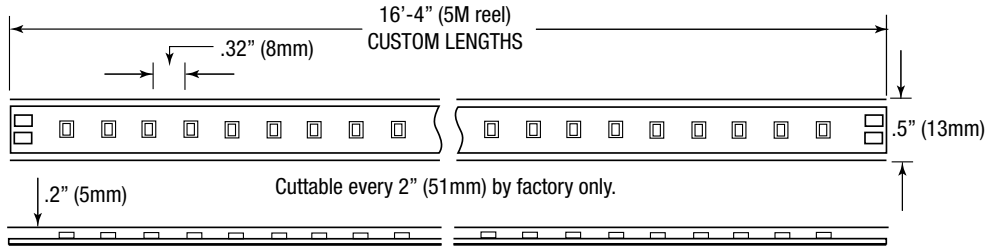
LTR-P Pro Series Indoor Location

Reels: 16'-4" (5M)
 98'-6" (30M)
 Width: .39" (10mm)
 Height: .039" (1mm)
 Diodes: .32" O.C. (8mm)
 Connector: EST Series Sure-Tite



LTR-P Pro Series Outdoor Location

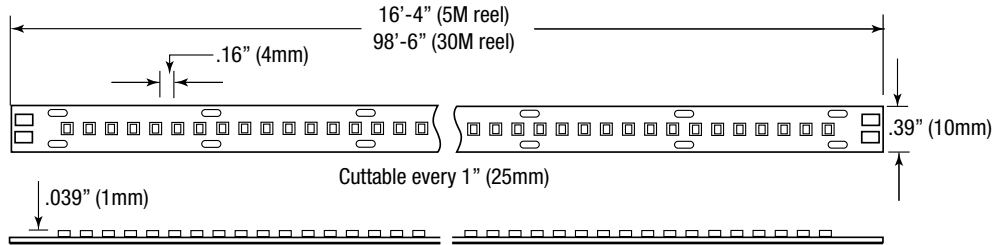
Reels: 16'-4" (5M)
 by the foot
 (use configurator)
 Width: .5" (13mm)
 Height: .2" (5mm)
 Diodes: .32" O.C. (8mm)
 Connector: LTR-P-WP Series



LTR-S SERIES TAPE DIAGRAMS

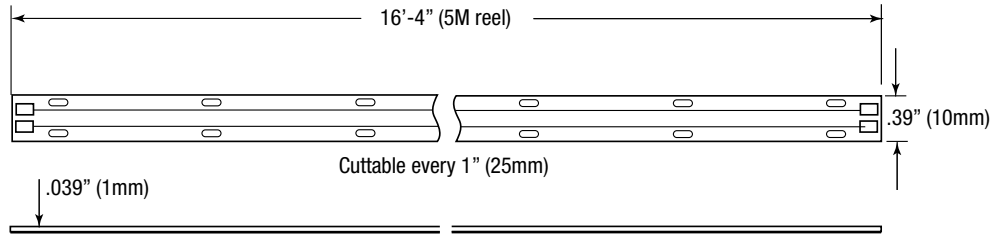
LTR-S Spec Series Indoor Location

Reels: 16'-4" (5M)
 98'-6" (30M)
 Width: .39" (10mm)
 Height: .039" (1mm)
 Diodes: .16" O.C. (4mm)
 Connector: EST Series Sure-Tite



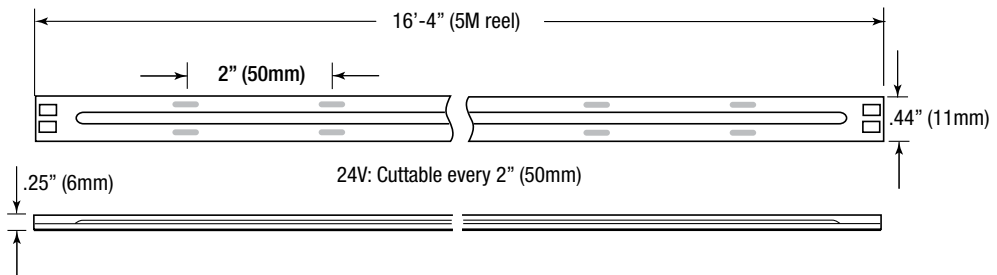
LTR-S Spec Series COB Indoor Location

Reels: 16'-4" (5M)
 Width: .39" (10mm)
 Height: .039" (1mm)
 Diodes: Continuous phosphor strip
 Connector: EST Series Sure-Tite



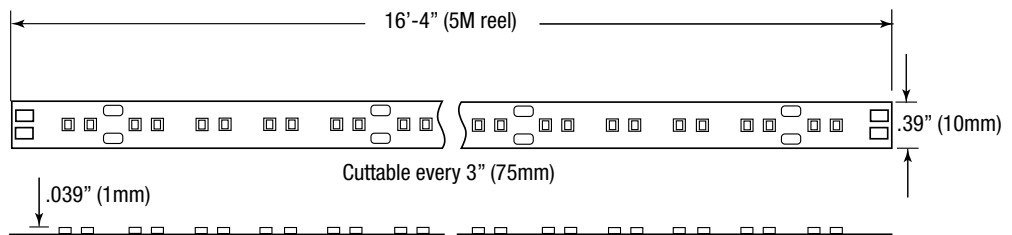
LTR-S Spec Series COB Wet Location

Reels: 16'-4" (5M)
 Width: .44" (11mm)
 Height: .25" (6mm)
 Diodes: Continuous phosphor strip
 Connector: LTR-P-WP Series



LTR-S Spec Series DTW Indoor Location

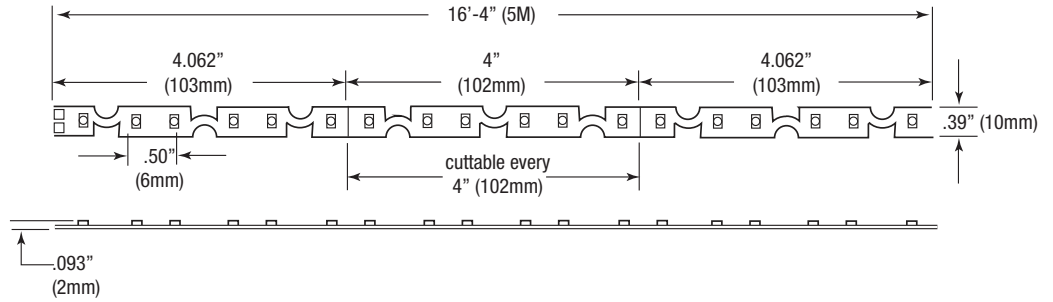
Reels: 16'-4" (5M)
 Width: .39" (10mm)
 Height: .039" (1mm)
 Diodes: Double Cluster
 Connector: EST Series Sure-Tite



LTR-S SERIES TWIST-TASK and SIDE-VIEW TAPE DIAGRAMS

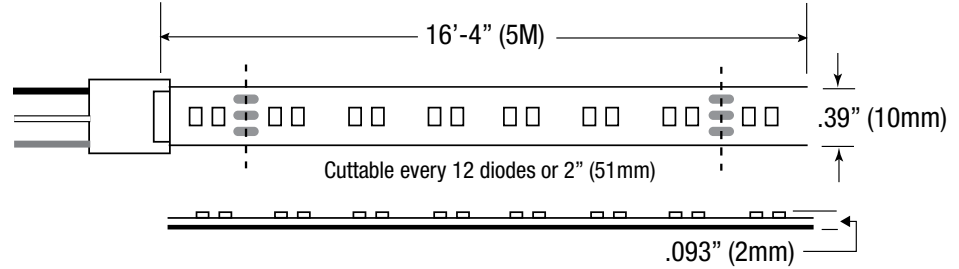
LTR-S Spec Series Twist-Task Indoor Location

Reels: 16'-4" (5M)
 Width: .39" (10mm)
 Height: .093" (1mm)
 Diodes: .50" O.C. (6mm)
 Connector: EST Series Sure-Tite



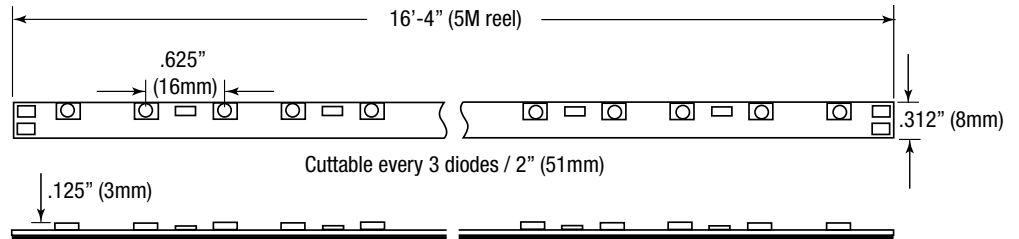
LTR-S Spec Series Tunable White Indoor Location

Reels: 16'-4" (5M)
 Width: .39" (10mm)
 Height: .093" (2mm)
 Diodes: .625" O.C. (16mm)
 Connector: LTR-S-TUN Connectors



LTR-S Spec Series Side-View Indoor Location

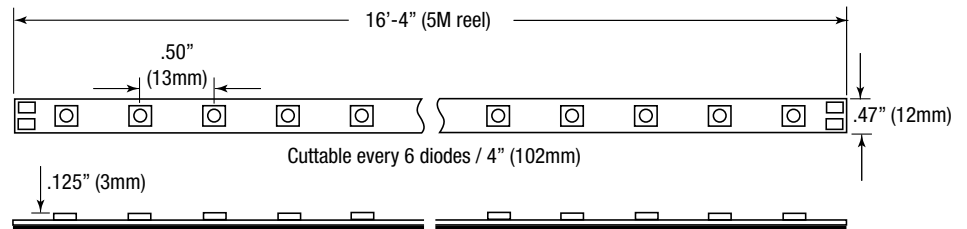
Reels: 16'-4" (5M)
 Width: .31" (8mm)
 Height: .125" (3mm)
 Diodes: .625" O.C. (16mm)
 Connector: STW Series Sure-Tite



LTR-S SERIES RGBW TAPE DIAGRAMS

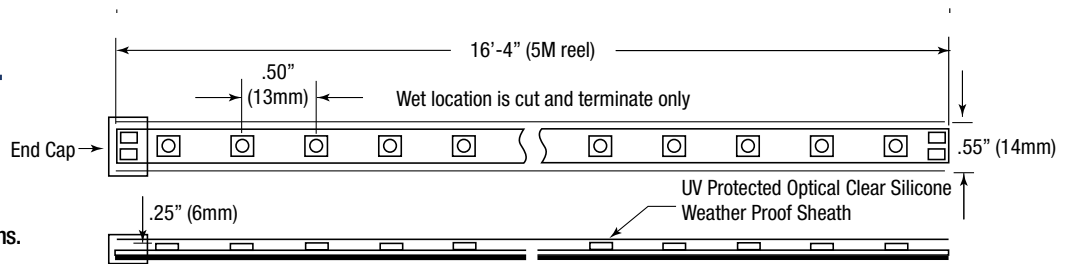
LTR-S Spec Series RGBW Indoor Location

Reels: 16'-4" (5M)
 Width: .47" (10mm)
 Height: .125" (3mm)
 Diodes: .50" O.C. (13mm)
 Connector: RGBW EZ Series



LTR-S Spec Series RGBW Outdoor Location

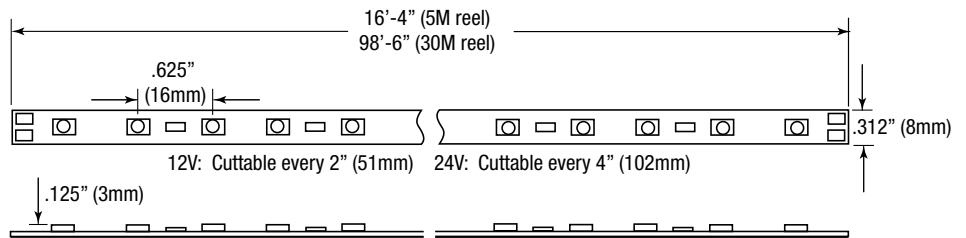
Reels: 16'-4" (5M)
 Width: .55" (14mm)
 Height: .25" (6mm)
 Diodes: .50" O.C. (13mm)
 Connector: Field cut and cap only. Custom factory configurations. Consult factory.



LTR-E SERIES TAPE DIAGRAMS

LTR-E Econo Series Indoor Location

Reels: 16'-4" (5M)
 98'-6" (30M)
 (not colors)
 Width: .31" (8mm)
 Height: .125" (3mm)
 Diodes: .625" O.C. (16mm)
 Connector: STW Series Sure-Tite



LIGHTING UP THE OUTDOORS

DEFINING AN OUTDOOR DECK WITH LINEAR LIGHTING

MRTC Sales approached this amazing Seattle rooftop application by specifying GM Lighting outdoor tape.

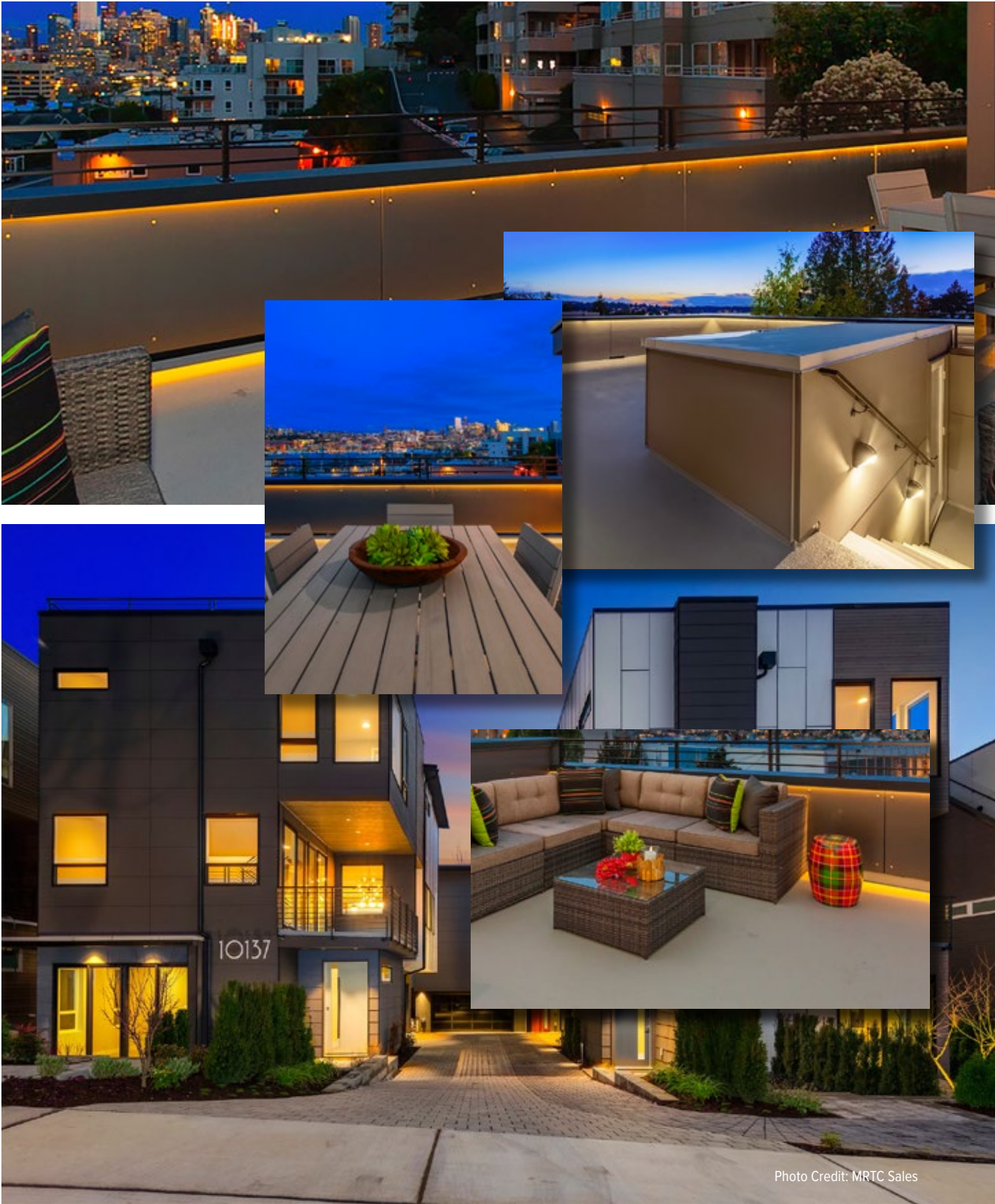


Photo Credit: MRTC Sales

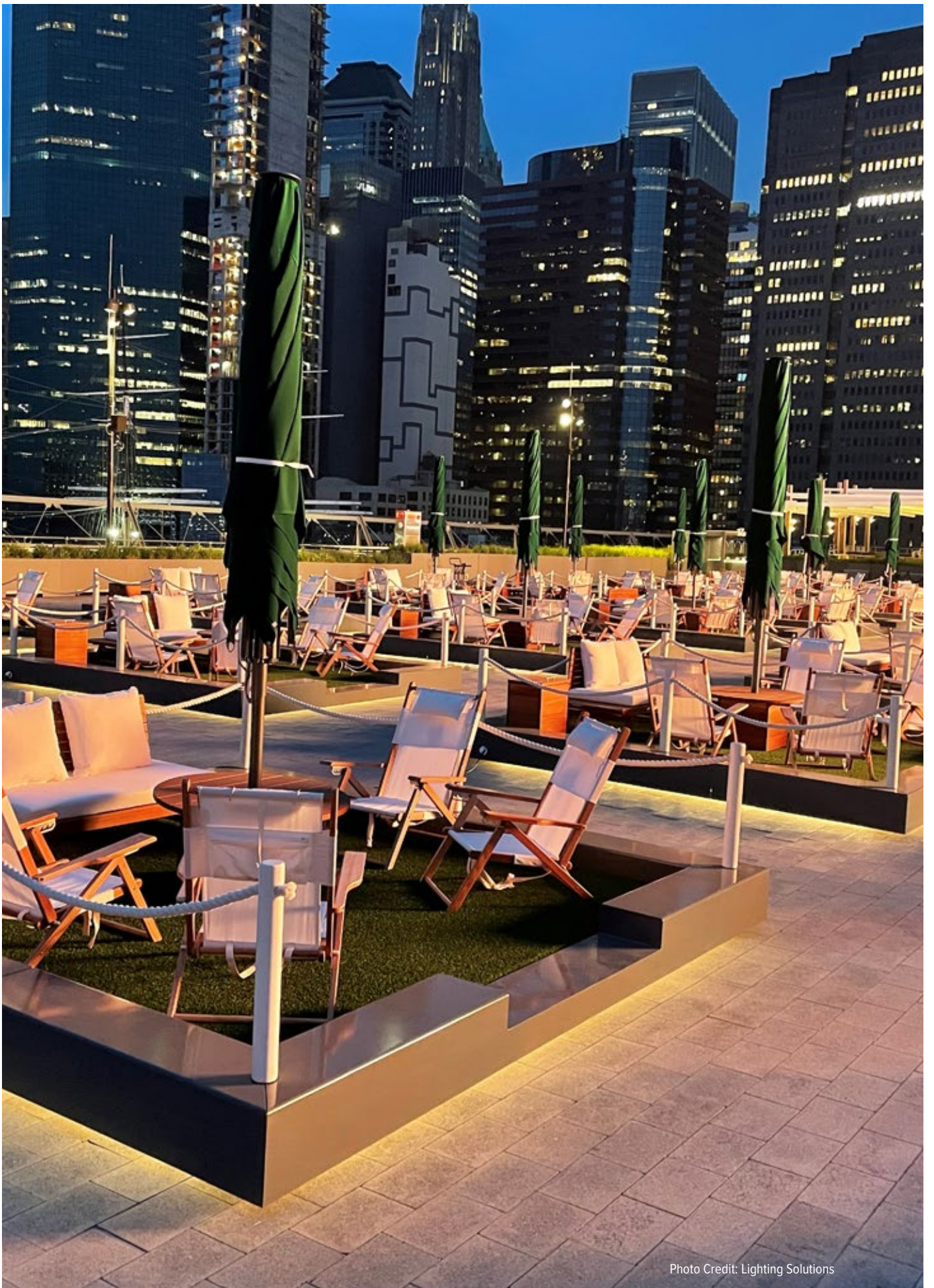


Photo Credit: Lighting Solutions

12VDC MAXIMUM RUN CHART

| Product | See Page No. | Watts / Ft. | Reel Lengths | Maximum Single Run* |
|---|--------------|-------------|---------------------------|---------------------|
| 12VDC 1.5W LTR-P LED TAPE | 20 | 1.5W | 16'-4" (5M), 98'-6" (30M) | 32'-8" |
| 12VDC 3W LTR-P LED TAPE | 21 | 3.0W | 16'-4" (5M), 98'-6" (30M) | 16'-4" |
| 12VDC LTR-S SIDE VIEW LED TAPE | 37 | 1.5W | 16'-4" (5M) | 32'-8" |
| 12VDC LTR-S TWIST-TASK LED TAPE | 37 | 2.2W | 16'-4" (5M) | 16'-4" |
| 12VDC 1.5W LTR-E LED TAPE | 42 | 1.5W | 16'-4" (5M), 98'-6" (30M) | 32'-8" |
| 12VDC 1.5W LTR-E COLORS (AMBER, BLUE, GREEN, RED) | 42 | 1.5W | 16'-4" (5M) | 32'-8" |

* Maximum single run defines the maximum length of tape that can be powered on a given lead. Longer runs can be achieved by using multiple power supplies.

24VDC MAXIMUM RUN CHART

| Product | See Page No. | Watts / Ft. | Reel Lengths | Maximum Single Run* |
|---|--------------|-------------|------------------------------|---------------------|
| 24VDC 1.5W LTR-P LED TAPE | 20 | 1.5W | 16'-4" (5M), 98'-6" (30M) | 60' |
| 24VDC 3W LTR-P LED TAPE | 21 | 3.0W | 16'-4" (5M), 98'-6" (30M) | 32'-8" |
| 24VDC 4.5W LTR-P LED TAPE | 21 | 4.5W | 16'-4" (5M), 98'-6" (30M) | 20' |
| 24VDC 5.8W LTR-P LED TAPE | 21 | 5.8W | 16'-4" (5M), 98'-6" (30M) | 16'-4" |
| 24VDC 1.5W LTR-P WET LOCATION LED TAPE | 22 | 1.5W | 16'-4" (5M) OR 'BY THE FOOT' | 60' |
| 24VDC 3W LTR-P WET LOCATION LED TAPE | 22 | 3.0W | 16'-4" (5M) OR 'BY THE FOOT' | 32'-8" |
| 24VDC 2.5W LTR-S LED TAPE | 28 | 2.5W | 16'-4" (5M), 98'-6" (30M) | 32'-8" |
| 24VDC 5.8W LTR-S LED TAPE | 28 | 5.8W | 16'-4" (5M), 98'-6" (30M) | 16'-4" |
| 24VDC 8W LTR-S-HO LED Tape | 29 | 8.0W | 'BY THE FOOT' | 12'-0" |
| 24VDC 1.5W LTR-S COB LED TAPE | 30 | 1.5W | 16'-4" (5M) | 32'-8" |
| 24VDC 3.0W LTR-S COB LED TAPE | 30 | 3.0W | 16'-4" (5M) | 16'-4" |
| 24VDC 1.5W LTR-S COB WET LOCATION LED TAPE | 32 | 1.5W | 16'-4" (5M) OR 'BY THE FOOT' | 32'-8" |
| 24VDC 3.0W LTR-S COB WET LOCATION LED TAPE | 32 | 3.0W | 16'-4" (5M) OR 'BY THE FOOT' | 16'-4" |
| 24VDC 1.5W LTR-S TUNABLE WHITE LED TAPE | 35 | 1.5W | 16'-4" (5M) | 32'-8" |
| 24VDC 3.0W LTR-S TUNABLE WHITE LED TAPE | 35 | 3.0W | 16'-4" (5M) | 32'-8" |
| 24VDC 5.0W LTR-S TUNABLE WHITE LED TAPE | 35 | 5.0W | 16'-4" (5M) | 16'-4" |
| 24VDC 3W LTR-S DTW (DIM TO WARM) LED TAPE | 36 | 3.0W | 16'-4" (5M) | 32'-8" |
| 24VDC 3W LTR-S RGBW DRY AND WET LOCATION LED TAPE | 40 | 3.0W | 16'-4" (5M) | 16'-4" |
| 24VDC 6W LTR-S RGBW DRY LOCATION LED TAPE | 40 | 6.0W | 16'-4" (5M) | 16'-4" |
| 24VDC 1.5W LTR-E LED TAPE | 42 | 1.5W | 16'-4" (5M), 98'-6" (30M) | 32'-8" |

* Max. single run defines the maximum length of tape that can be powered on a given lead. Longer runs can be achieved by using multiple power supplies.

Access Spec Sheets

A wealth of technical docs and support content is just a click away! Our new website has what you need to insure a successful specification and installation. Visit us at www.gmlighting.net



VISIT WEBSITE



**FROM RESIDENTIAL
TO COMMERCIAL
TO HOSPITALITY...
WE HAVE THE RIGHT
LED SERIES FOR THE
RIGHT APPLICATION**

GM Lighting LED Tape can be found in a wide variety of applications and environments. Whether you are illuminating a kitchen counter or a grand entryway in an iconic hotel, look to GM for the right Series for the right application.

SURE-TITE DRY LOCATION 'CONTRACTOR PREFERRED' CONNECTORS

GM Lighting's Sure-Tite connectors insure a tight, clear electrical connection for many of our GM Lighting LTR Series tapes.

It's like a splice box for your LED Tape!

ORDERING INFORMATION

| Product No. | Description | For Series |
|-------------|---|--|
| ESTC-1 | TAPE TO TAPE CONNECTOR | LTR-P Series (Not Wet Location) |
| ESTC-90 | 90° TAPE TO TAPE CONNECTOR | |
| ESTLK-60 | 60" TAPE TO TAPE CONNECTOR | |
| ESTW-60 | 60" TAPE TO POWER SUPPLY CONNECTOR | LTR-S Series (Not RGB or SV) For RGB, See EZ Connectors |
| ESTW-C0 | TAPE TO POWER SUPPLY CONNECTOR ONLY (NO WIRE) | |
| STC-1 | TAPE TO TAPE CONNECTOR | LTR-E Series LTR-S-SV (Side-View) |
| STC-90 | 90° TAPE TO TAPE CONNECTOR | |
| STLK-60 | 60" TAPE TO TAPE CONNECTOR | |
| STW-60 | 60" TAPE TO POWER CONNECTOR | |
| STW-C0 | TAPE TO POWER SUPPLY CONNECTOR ONLY (NO WIRE) | |



90° TAPE TO TAPE CONNECTOR

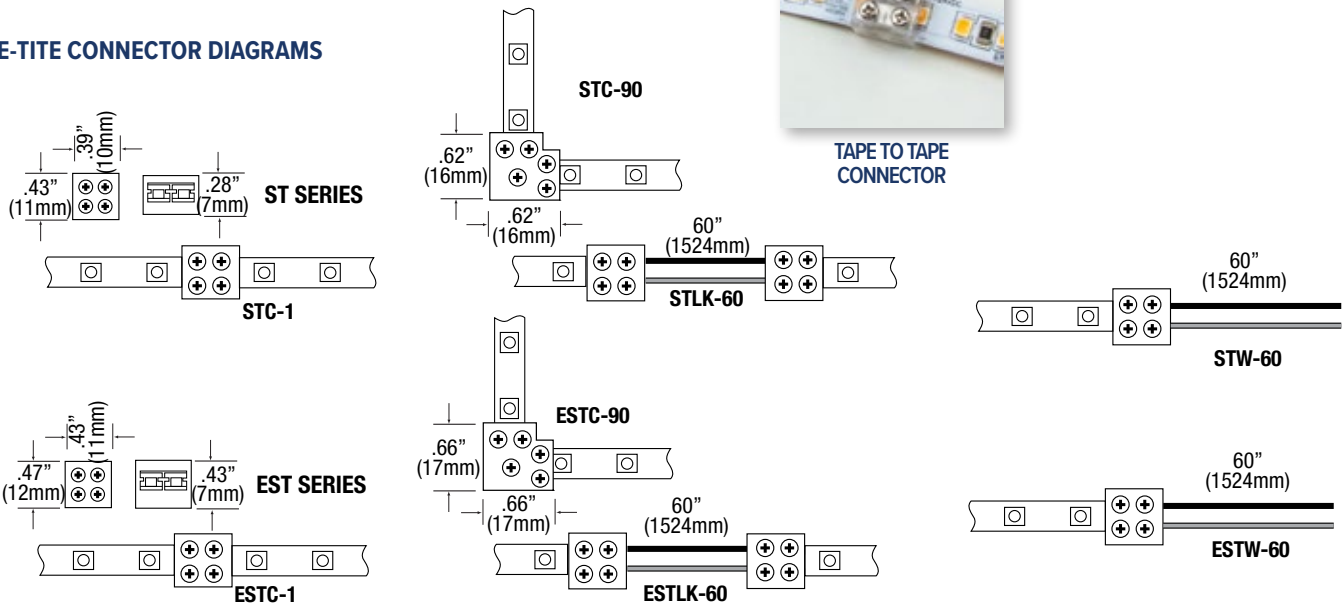


TAPE TO TAPE TAPE TO POWER



TAPE TO TAPE CONNECTOR

SURE-TITE CONNECTOR DIAGRAMS

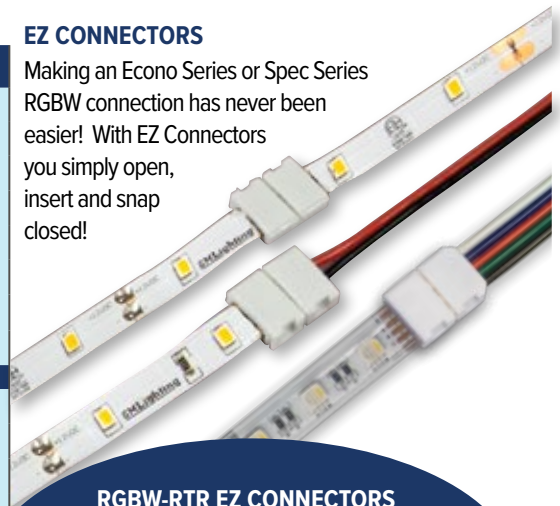


ORDERING INFORMATION

| Product No. | Description | For Series |
|----------------|---|---|
| LTC-EZ-1 | EZ TAPE TO TAPE CONNECTOR | LTR-E Series Side-View |
| LTC-EZ-3 | 3" EZ TAPE TO TAPE CONNECTOR | |
| LTC-EZ-12 | 12" EZ TAPE TO TAPE CONNECTOR | |
| LTC-EZ-24 | 24" EZ TAPE TO TAPE CONNECTOR | |
| LTC-EZ-60 | 60" EZ TAPE TO TAPE CONNECTOR | |
| LTW-EZ-6 | 6" EZ TAPE TO POWER SUPPLY CONNECTOR | |
| LTW-EZ-24 | 24" EZ TAPE TO POWER SUPPLY CONNECTOR | |
| LTW-EZ-60 | 60" EZ TAPE TO POWER SUPPLY CONNECTOR | |
| RGBW-RTR-EZ-1 | RGB EZ TAPE TO TAPE CONNECTOR | LTR-S Series RGBW (RGBW-WP is cut and cap only) |
| RGBW-RTR-EZ-3 | 3" RGB EZ TAPE TO TAPE CONNECTOR | |
| RGBW-RTR-EZ-12 | 12" RGB EZ TAPE TO TAPE CONNECTOR | |
| RGBW-RTR-EZ-24 | 24" RGB EZ TAPE TO TAPE CONNECTOR | |
| RGBW-RTR-EZ-36 | 36" RGB EZ TAPE TO TAPE CONNECTOR | |
| RGBW-RTR-EZ-60 | 60" RGB EZ TAPE TO TAPE CONNECTOR | |
| RGBW-RPS-EZ-60 | 60" RGB EZ TAPE TO CONTROLLER CONNECTOR | |

EZ CONNECTORS

Making an Econo Series or Spec Series RGBW connection has never been easier! With EZ Connectors you simply open, insert and snap closed!



RGBW-RTR EZ CONNECTORS INSURE A PROFESSIONAL AND SECURE CONNECTION! FOR DRY LOCATION ONLY. WET LOCATION (RGBW-WP) IS CUT AND CAP ONLY OR FACTORY CONFIGURED

SURE-TITE WET LOCATION 'CONTRACTOR PREFERRED' CONNECTORS

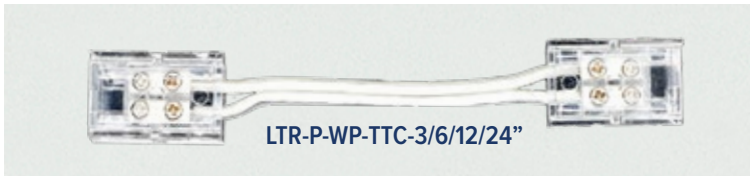
GM Lighting's Sure-Tite connectors insure a tight, clear electrical connection for many of our GM Lighting LTR Series tapes.

It's like a splice box for your LED Tape!

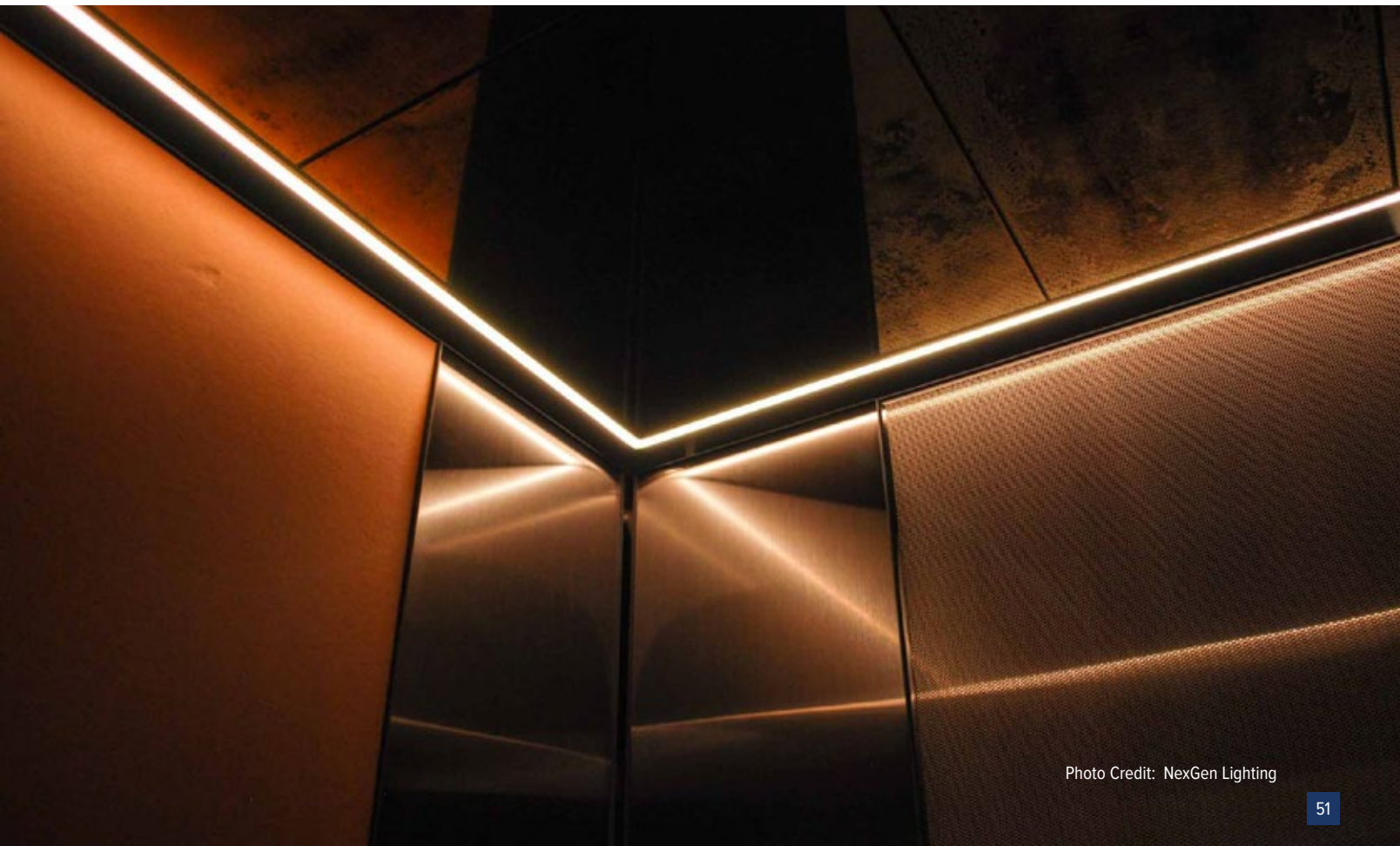
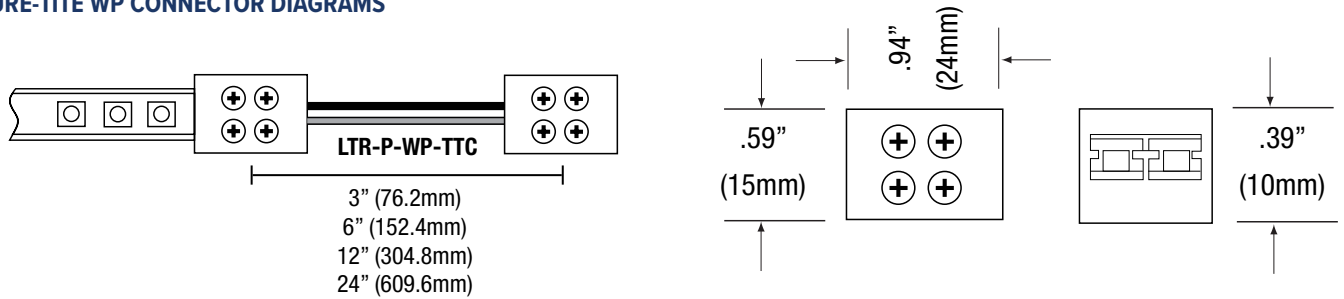
WET LOCATION WP CONNECTORS

| Product No. | Description | For Series |
|-----------------|--------------------------------------|--------------------------|
| LTR-P-WP-TTC-3 | 3" TAPE TO TAPE CONNECTOR | LTR-P-WP LTR-S-COB-WP |
| LTR-P-WP-TTC-6 | 6" TAPE TO TAPE CONNECTOR | |
| LTR-P-WP-TTC-12 | 12" TAPE TO TAPE CONNECTOR | |
| LTR-P-WP-TTC-24 | 24" TAPE TO TAPE CONNECTOR | |
| LTR-P-WP-TPC-12 | 12FT. TAPE TO POWER SUPPLY CONNECTOR | |
| LTR-P-WP-EC | END CAP FOR WET LOCATION TAPE | |

LTR-P-WP-TPC-12 includes end cap



SURE-TITE WP CONNECTOR DIAGRAMS





SPLICE BOXES AND SPLICE CONNECTORS

- Securely hold the wire connections together.
- Perfect for connecting long runs of wires.

INDOOR SPLICE CONNECTORS

| Product No. | Description |
|-------------|------------------------------------|
| GMSB-W | UNIVERSAL 2-WIRE SPLICE BOX, WHITE |
| GMSB-B | UNIVERSAL 2-WIRE SPLICE BOX, BLACK |

OUTDOOR SPLICE CONNECTORS

| Product No. | Description |
|--------------|---|
| GM-WPSC | UNIVERSAL WET LOCATION 3-WIRE SPLICE CONNECTOR |
| GM-WPSC-RGBW | UNIVERSAL WET LOCATION 5-WIRE RGBW SPLICE CONNECTOR |



GMSB-W
2" X 1"

SOMETIMES ALL YOU NEED
IS THE
RIGHT CONNECTOR!



GM-WPSC
2.5" X .75"

WALL RATED GM LIGHTING WIRE

- UL 2464 AWM copper stranded wire for indoor use
- SJTW rated wire for outdoor use
- PVC jacketing is molded to the internal wiring for durability and safety
- Highly flexible for easy installation
- Internal wires color coded for easy recognition during installation
- Available in 250' reel or by the foot

INDOOR WIRES

| 18 GA. WIRE | |
|-----------------|--|
| 18-2-WIRE-1FT | 18/2 stranded with a gray PVC jacket, color coded - per foot |
| 18-2-WIRE-250FT | 18/2 stranded with a gray PVC jacket, color coded |
| 18-3-WIRE-1FT | 18/3 stranded with a gray PVC jacket, color coded - per foot |
| 18-3-WIRE-250FT | 18/3 stranded with a gray PVC jacket, color coded |
| 18-4-WIRE-1FT | 18/4 stranded with a gray PVC jacket, color coded - per foot |
| 18-4-WIRE-250FT | 18/4 stranded with a gray PVC jacket, color coded |
| 18-5-WIRE-1FT | 18/5 stranded with a gray PVC jacket, color coded - per foot |
| 18-5-WIRE-250FT | 18/5 stranded with a gray PVC jacket, color coded |

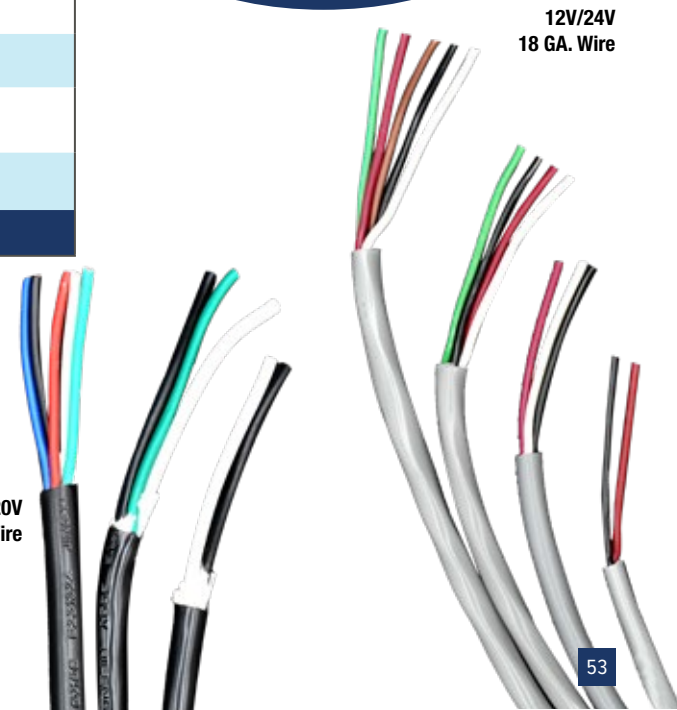
MULTICOLOR INDOOR
AND OUTDOOR WIRES
FOR QUICK AND EASY
INSTALLATION

OUTDOOR WIRES

| PRODUCT NO. | DESCRIPTION |
|-------------|------------------------|
| SJTW-2W | SJTW-2W wire / per ft. |
| SJTW-3W | SJTW-3W wire / per ft. |
| SJTW-5W | SJTW-5W wire / per ft. |

120V
SJTW Wire

12V/24V
18 GA. Wire

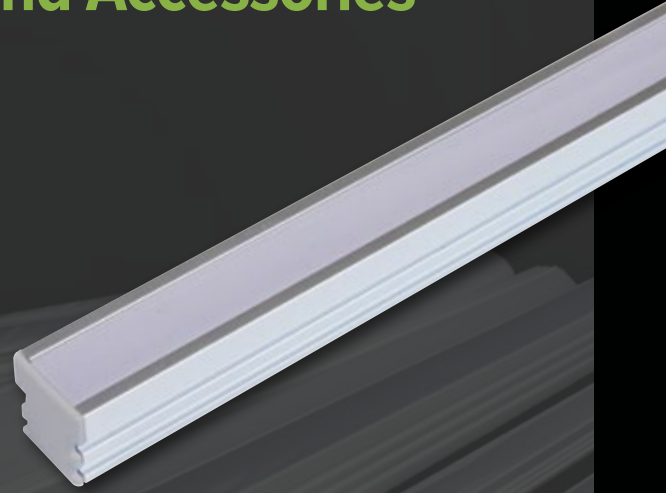




NEW!
LED-CHL-XD-MD
CHANNELS IN
BLACK & WHITE

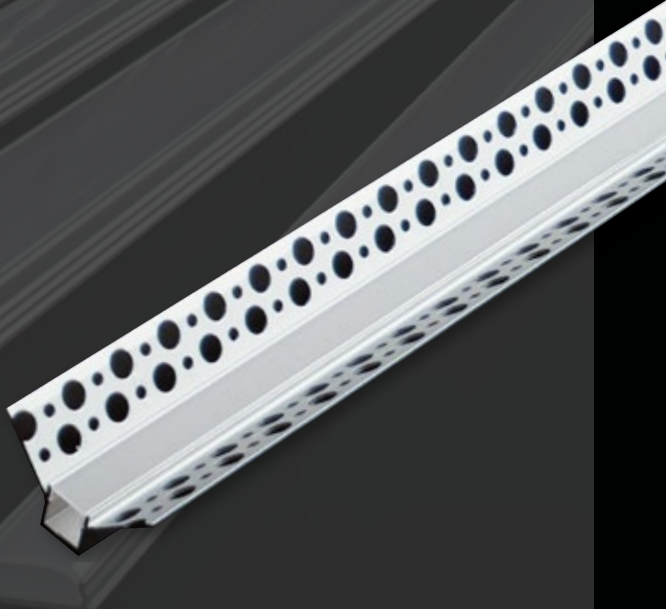
Page 58-59

Channels, Lens and Accessories



MOUNTING CHANNELS.....56

TAPE OVERLAY LENS59

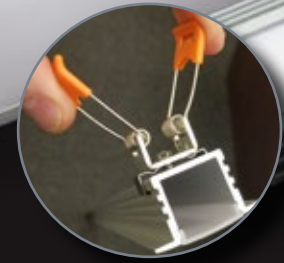


MUD-IN MOUNTING CHANNELS.....60

TYPICAL INSTALLATION62

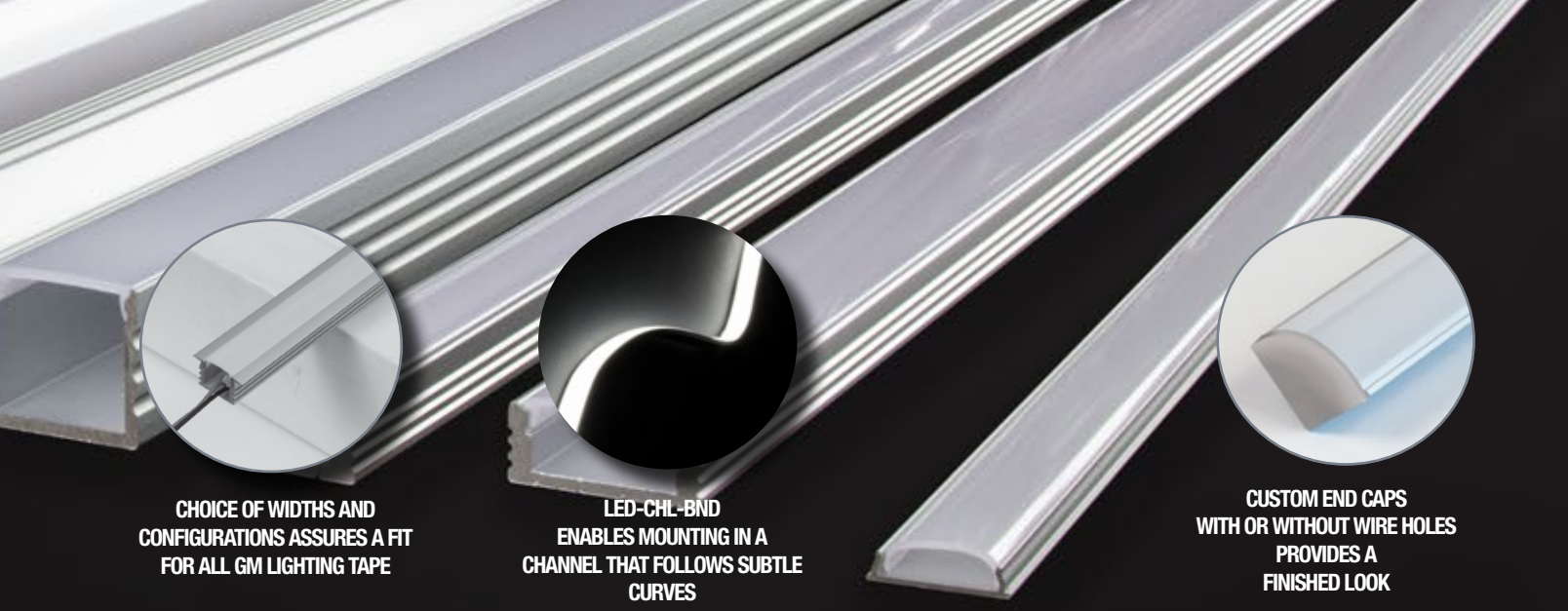
LED TAPE MOUNTING CHANNELS AND ACCESSORIES

There is a GM Lighting aluminum mounting channel for any LTR Series tape. Perfect for applications that require a rigid extruded channel for a permanent, professional installation. Each channel and lens can be cut in the field to the desired length needed. Check the channel product matrix on these pages for compatibility with LED tape and connectors.



DRYWALL SPRING CLIPS AND ADJUSTABLE BRACKETS ENABLE CUSTOM INSTALLATIONS

| MOUNTING CHANNEL | | | | LED TAPE THAT FITS CHANNEL | LED TAPE CONNECTORS | |
|-----------------------|--------------------|--|--------|--|----------------------------|--|
| | Catalog No. | Description | Length | Dimensions | LED Tape Series | Fits These Connectors |
| STANDARD STRAIGHT RUN | LED-CHL | Extruded channel. Includes snap-on frosted lens with mounting clips and screws. | 4' | | LTR-P Professional Series | Soldered Leads Only |
| | LED-CHL-8 | Extruded channel. Includes snap-on frosted lens with mounting clips and screws. | 8' | | LTR-S Specification Series | |
| | LED-CHL-EC | (2) End caps for LED-CHL - one solid, one with hole | N/A | | LTR-S COB (Chip On Board) | |
| | LED-CHL-AMC | (2) Adjustable mounting brackets for LED-CHL | N/A | | LTR-S DTW (Dim to Warm) | |
| | LED-CHL-MC | (2) Mounting clips and screws for LED-CHL | N/A | | LTR-S-TW (Twist-Task) | |
| | | | | LTR-E Economy Series | | |
| | | | | LTR-S-SV Side View | | |
| 45° ANGLE MOUNT | LED-CHL-45 | Extruded angled (45°) channel. Includes snap-on frosted lens with mounting clips and screws. | 4' | | LTR-P Professional Series | SureTite ESTC SureTite STC |
| | LED-CHL-45-EC | (2) End caps for LED-CHL-45 - one solid, one with hole | N/A | | LTR-S Specification Series | |
| | LED-CHL-45-MC | (2) Mounting clips and screws for LED-CHL-45 | N/A | | LTR-S COB (Chip On Board) | |
| | | | | LTR-S DTW (Dim to Warm) | | |
| | | | | LTR-S-TW (Twist-Task) | | |
| | | | | LTR-S-TUN (Tunable White) | | |
| | | | | LTR-E Economy Series | | |
| | | | | LTR-S-SV Side View | | |
| LARGE 45° ANGLE MOUNT | LED-CHL-45-1200 | Extruded angled (45°) channel. Includes snap-on frosted lens with mounting clips and screws. | 4' | | LTR-P Professional Series | SureTite EST WP Wet RTR-EZ SureTite ST SureTite EZ |
| | LED-CHL-45-1200-EC | (2) End caps for LED-CHL-45 - one solid, one with hole | N/A | | LTR-S Specification Series | |
| | LED-CHL-45-1200-MC | (2) Additional mounting clips for LED-CHL-45-1200 | N/A | | LTR-S COB (Chip On Board) | |
| | | | | LTR-S DTW (Dim to Warm) | | |
| | | | | LTR-S-TW (Twist-Task) | | |
| | | | | LTR-S-TUN (Tunable White) | | |
| | | | | LTR-P-WP Professional Series Wet Location | | |
| | | | | LTR-S-RGBW / RGBW-WP Specification Series RGBW and RGBW Wet Location | | |
| | | | | LTR-E Economy Series | | |
| | | | | LTR-S-SV Side View | | |



CHOICE OF WIDTHS AND CONFIGURATIONS ASSURES A FIT FOR ALL GM LIGHTING TAPE

LED-CHL-BND ENABLES MOUNTING IN A CHANNEL THAT FOLLOWS SUBTLE CURVES

CUSTOM END CAPS WITH OR WITHOUT WIRE HOLES PROVIDES A FINISHED LOOK

| | MOUNTING CHANNEL | | | | LED TAPE THAT FITS CHANNEL | LED TAPE CONNECTORS |
|----------|-----------------------|---|--------|----------------------|--|--|
| | Catalog No. | Description | Length | Dimensions | LED Tape Series | Fits These Connectors |
| FLEXIBLE | LED-CHL-BND | Extruded bendable channel. Includes snap-on frosted lens with mounting clips and screws. | 4' | | LTR-P Professional Series | Soldered Leads Only |
| | LED-CHL-BND-8 | Extruded bendable channel. Includes snap-on frosted lens with mounting screws. | 8' | | LTR-S Specification Series | |
| | LED-CHL-BND-EC | (2) End caps for LED-CHL-BND - one solid, one with hole. | N/A | | LTR-S COB (Chip On Board) | |
| | LED-CHL-BND-MC | (2) Mounting clips and screws for LED-CHL-BND | N/A | | LTR-S DTW (Dim to Warm) | |
| SLIM | LED-CHL-SLIM | Extruded slim channel. Includes snap-on frosted lens with mounting clips and screws. | 4' | | LTR-P Professional Series | Soldered Leads Only |
| | LED-CHL-SLIM-BRACKETS | (2) Mounting brackets for LED-CHL-SLIM | N/A | | LTR-S Specification Series | |
| | LED-CHL-SLIM-EC | (2) Solid end caps for LED-CHL-SLIM | N/A | | LTR-S COB (Chip On Board) | |
| WIDE | LED-CHL-W | Wide format extruded channel. Includes snap-on frosted lens with mounting clips and screws. | 4' | | LTR-S DTW (Dim to Warm) | SureTite EST RTR-EZ SureTite ST SureTite EZ |
| | LED-CHL-W-8 | Wide format extruded channel. Includes snap-on frosted lens with mounting clips and screws. | 8' | | LTR-S TW (Twist-Task) | |
| | LED-CHL-W-AMC | (2) Adjustable mounting brackets for LED-CHL-W | N/A | | LTR-S TUN (Tunable White) | |
| | LED-CHL-W-EC | (2) End caps for LED-CHL-W - one solid, one with hole. | N/A | | LTR-P-WP Professional Series Wet Location | |
| | LED-CHL-W-MC | (2) Additional mounting clips for LED-CHL-W | N/A | | LTR-S-RGBW / RGBW-WP Specification Series RGBW and RGBW Wet Location | |
| | | | | LTR-E Economy Series | | |
| | | | | LTR-S-SV Side View | | |

LED MOUNTING CHANNEL GUIDE Continued

In order to guarantee a successful LED tape application, these channel compatibility charts will let you know what tape and what connectors fit in each of our channels.

| MOUNTING CHANNEL | | | | LED TAPE THAT FITS CHANNEL | LED TAPE CONNECTORS | |
|------------------|----------------|---|------------|--|----------------------------|--|
| Catalog No. | Description | Length | Dimensions | LED Tape Series | Fits These Connectors | |
| EXTRA DEEP | LED-CHL-XD | Extra deep format extruded channel. Includes snap-on frosted lens with mounting clips and screws. | 4' | | LTR-P Professional Series | SureTite EST WP Wet RTR-EZ SureTite ST SureTite EZ |
| | LED-CHL-XD-8 | Extra deep format extruded channel. Includes snap-on frosted lens with mounting clips and screws. | 8' | | LTR-S Specification Series | |
| | LED-CHL-XD-AMC | (2) Adjustable mounting brackets for LED-CHL-XD | N/A | | LTR-S COB (Chip On Board) | |
| | LED-CHL-XD-EC | (2) End caps for LED-CHL-XD. One solid, one with hole. | N/A | | LTR-S DTW (Dim to Warm) | |
| | LED-CHL-XD-MC | (2) Mounting clips and screws for LED-CHL-XD | N/A | | LTR-S-TW (Twist-Task) | |
| | | | | LTR-S-TUN (Tunable White) | | |
| | | | | LTR-P-WP Professional Series Wet Location | | |
| | | | | LTR-S-RGBW / RGBW-WP Specification Series RGBW and RGBW Wet Location | | |
| | | | | LTR-E Economy Series | | |
| | | | | LTR-S-SV Side View | | |

| | | | | | | |
|--------------------|-----------------|---|-----|--|----------------------------|--|
| EXTRA DEEP FLANGED | LED-CHL-XD-F | Extra deep format extruded channel with flange. Includes snap-on frosted lens with mounting clips and screws. | 4' | | LTR-P Professional Series | SureTite EST WP Wet RTR-EZ SureTite ST SureTite EZ |
| | LED-CHL-XD-F-8 | Extra deep format extruded channel with flange. Includes snap-on frosted lens with mounting clips and screws. | 8' | | LTR-S Specification Series | |
| | LED-CHL-XD-F-DC | (2) Drywall mounting brackets for LED-CHL-XD-F | N/A | | LTR-S COB (Chip On Board) | |
| | LED-CHL-XD-F-EC | (2) End caps for LED-CHL-XD-F. One solid, one with hole. | N/A | | LTR-S DTW (Dim to Warm) | |
| | | | | LTR-S-TW (Twist-Task) | | |
| | | | | LTR-S-TUN (Tunable White) | | |
| | | | | LTR-P-WP Professional Series Wet Location | | |
| | | | | LTR-S-RGBW / RGBW-WP Specification Series RGBW and RGBW Wet Location | | |
| | | | | LTR-E Economy Series | | |
| | | | | LTR-S-SV Side View | | |

| | | | | | | |
|-----------|--------------------|--|-----|--------------------|--|--|
| MINI-DEEP | LED-CHL-XD-MD | Mini deep format extruded channel. Includes snap-on frosted lens with mounting clips and screws. | 4' | | LTR-P Professional Series | SureTite EST SureTite ST SureTite EZ |
| | LED-CHL-XD-MD-WH | Mini deep format extruded channel. Includes snap-on frosted lens with mounting clips and screws. White. | 4' | | LTR-S Specification Series | |
| | LED-CHL-XD-MD-B | Mini deep format extruded channel. Includes snap-on frosted lens with mounting clips and screws. Black. | 4' | | LTR-S COB (Chip On Board) | |
| | LED-CHL-XD-MD-8 | Mini deep format extruded channel with flange. Includes snap-on frosted lens with mounting clips and screws. | 8' | | LTR-S DTW (Dim to Warm) | |
| | LED-CHL-XD-MD-8-WH | Mini deep format extruded channel. Includes snap-on frosted lens with mounting clips and screws. White. | 8' | | LTR-S-TW (Twist-Task) | |
| | LED-CHL-XD-MD-8-B | Mini deep format extruded channel. Includes snap-on frosted lens with mounting clips and screws. Black. | 8' | | LTR-S-TUN (Tunable White) | |
| | LED-CHL-XD-MD-AMC | (2) Adjustable mounting brackets for LED-CHL-XD-MD | N/A | | LTR-P-WP Professional Series Wet Location | |
| | LED-CHL-XD-MD-EC | (2) End caps for LED-CHL-XD-MD. One solid, one with hole. | N/A | | LTR-S-RGBW / RGBW-WP Specification Series RGBW and RGBW Wet Location | |
| | LED-CHL-XD-MD-MC | (2) Mounting clips for LED-CHL-XD-MD | N/A | | LTR-E Economy Series | |
| | | | | LTR-S-SV Side View | | |

LED MOUNTING CHANNEL GUIDE Continued

| MOUNTING CHANNEL | | | |
|----------------------|---|--------|------------|
| Catalog No. | Description | Length | Dimensions |
| LED-CHL-XD-MD-F | Mini deep format flanged extruded channel with flange. Includes snap-on frosted lens with mounting clips and screws. | 4' | |
| LED-CHL-XD-MD-F-WH | Mini deep format flanged extruded channel with flange. Includes snap-on frosted lens with mounting clips and screws. White. | 4' | |
| LED-CHL-XD-MD-F-B | Mini deep format flanged extruded channel with flange. Includes snap-on frosted lens with mounting clips and screws. Black. | 4' | |
| LED-CHL-XD-MD-F-8 | Mini deep format extruded flanged channel with flange. Includes snap-on frosted lens with mounting clips and screws. | 8' | |
| LED-CHL-XD-MD-F-8-WH | Mini deep format extruded flanged channel with flange. Includes snap-on frosted lens with mounting clips and screws. White. | 8' | |
| LED-CHL-XD-MD-F-8-B | Mini deep format extruded flanged channel with flange. Includes snap-on frosted lens with mounting clips and screws. Black. | 8' | |
| LED-CHL-XD-MD-F-DC | (2) Drywall mounting brackets for LED-CHL-XD-MD-F | N/A | |
| LED-CHL-XD-MD-F-EC | (2) End caps for LED-CHL-XD-MD-F One solid, one with hole. | N/A | |

MINI-DEEP FLANGED

| LED TAPE THAT FITS CHANNEL | LED TAPE CONNECTORS |
|--|--|
| LED Tape Series | Fits These Connectors |
| LTR-P Professional Series | SureTite EST SureTite ST SureTite EZ |
| LTR-S Specification Series | |
| LTR-S COB (Chip On Board) | |
| LTR-S DTW (Dim to Warm) | |
| LTR-S-TW (Twist-Task) | |
| LTR-S-TUN (Tunable White) | |
| LTR-P-WP Professional Series Wet Location | |
| LTR-S-RGBW / RGBW-WP Specification Series RGBW and RGBW Wet Location | |
| LTR-E Economy Series | |
| LTR-S-SV Side View | |

LED TAPE OVERLAY LENS

A low-profile arched clear or frosted lens that surrounds any size LEDTask Series tape. Provides an economical protective shield while eliminating diode imaging. Easy to install and cuttable in the field. Made of lightweight polycarbonate plastic.



| TAPE OVERLAY LENS | | | |
|-------------------|--|--------|------------|
| Catalog No. | Description | Length | Dimensions |
| TOL4-CL | LED tape overlay lens. Clear polycarbonate plastic with 3M peel and stick adhesive rails. UV stable. | 4' | |
| TOL4-FR | LED tape overlay lens. Frosted polycarbonate plastic with 3M peel and stick adhesive rails. UV stable. | 4' | |

LED TAPE OVERLAY LENS

| LED TAPE THAT FITS CHANNEL | LED TAPE CONNECTORS |
|--|--|
| LED Tape Series | Fits These Connectors |
| LTR-P Professional Series | SureTite EST RTR-EZ SureTite ST SureTite EZ |
| LTR-S Specification Series | |
| LTR-S COB (Chip On Board) | |
| LTR-S DTW (Dim to Warm) | |
| LTR-S-TW (Twist-Task) | |
| LTR-S-TUN (Tunable White) | |
| LTR-P-WP Professional Series Wet Location | |
| LTR-S-RGBW / RGBW-WP Specification Series RGBW and RGBW Wet Location | |
| LTR-E Economy Series | |
| LTR-S-SV Side View | |

MUD-IN AND WALK-OVER LED CHANNELS

LED TAPE MUD-IN / WALK OVER CHANNELS AND ACCESSORIES

| MOUNTING CHANNEL | | | | LED TAPE THAT FITS CHANNEL | LED TAPE CONNECTORS | |
|------------------|-------------------|--|--------|----------------------------|---|--|
| | Catalog No. | Description | Length | Dimensions | | |
| STRAIGHT LINEAR | LED-CHL-MI-ST8 | Standard extruded aluminum mud-in channel. Includes snap-on frosted lens. | 8' | | LTR-P Professional Series LTR-S Specification Series LTR-S COB (Chip On Board) LTR-S DTW (Dim to Warm) LTR-S-TW (Twist-Task) | SureTite EST |
| | LED-CHL-MI-ST-EC | (2) End caps for LED-CHL-MI-ST8 one solid, one with hole. | N/A | | LTR-P-WP Professional Series Wet Location | WP Wet |
| | | | | | LTR-S-RGBW / RGBW-WP Specification Series RGBW and RGBW Wet Location LTR-E Economy Series LTR-S-SV Side View | RTR-EZ WP Wet SureTite ST SureTite EZ |
| INSIDE CORNER | LED-CHL-MI-ISC8 | Standard extruded aluminum mud-in inside corner channel. Includes snap-on frosted lens. | 8' | | LTR-P Professional Series LTR-S Specification Series LTR-S COB (Chip On Board) LTR-S DTW (Dim to Warm) LTR-S-TW (Twist-Task) | Soldered Leads Only |
| | LED-CHL-MI-ISC-EC | (2) End caps for LED-CHL-MI-ISC - one solid, one with hole | N/A | | LTR-E Economy Series LTR-S-SV Side View | |
| OUTSIDE CORNER | LED-CHL-MI-OSC8 | Standard extruded aluminum mud-in outside corner channel. Includes snap-on frosted lens. | 8' | | LTR-P Professional Series LTR-S Specification Series LTR-S COB (Chip On Board) LTR-S DTW (Dim to Warm) LTR-S-TW (Twist-Task) | Soldered Leads Only |
| | LED-CHL-MI-OSC-EC | (2) End caps for LED-CHL-MI-OSC - one solid, one with hole | N/A | | LTR-E Economy Series LTR-S-SV Side View | |



WATCH NOW

**CUSTOM CUTS
and CONFIGURATIONS
AVAILABLE.
CONSULT FACTORY.**

| MOUNTING CHANNEL | | | | LED TAPE THAT FITS CHANNEL | LED TAPE CONNECTORS | | |
|----------------------|-------------------|--|--------|----------------------------|---|---|---|
| | Catalog No. | Description | Length | Dimensions | | | |
| SLIM STRAIGHT LINEAR | LED-CHL-MI-SST8 | Standard extruded aluminum mud-in slim channel. Includes snap-on frosted lens. | 8' | | LTR-P Professional Series LTR-S Specification Series LTR-S COB (Chip On Board) LTR-S DTW (Dim to Warm) LTR-S-TW (Twist-Task) LTR-E Economy Series LTR-S-SV Side View Soldered Leads Only | | |
| | LED-CHL-MI-SST-EC | (2) End caps for LED-CHL-MI-SST - one solid, one with hole | N/A | | | | |
| WALK OVER SHALLOW | LED-CHL-WOS8 | Standard extruded aluminum mud-in walk over shallow depth channel. Includes frosted lens (silicone required for installation). | 8' | | | LTR-P Professional Series LTR-S Specification Series LTR-S COB (Chip On Board) LTR-S DTW (Dim to Warm) LTR-S-TW (Twist-Task) LTR-E Economy Series LTR-S-SV Side View Soldered Leads Only | |
| | LED-CHL-WOS-EC | (2) End caps for LED-CHL-WOS - one solid, one with hole | N/A | | | | |
| WALK OVER DEEP | LED-CHL-WOD8 | Standard extruded aluminum mud-in walk over deep depth channel. Includes frosted lens (silicone required for installation). | 8' | | | | LTR-P Professional Series LTR-S Specification Series LTR-S COB (Chip On Board) LTR-S DTW (Dim to Warm) LTR-S-TW (Twist-Task) LTR-E Economy Series LTR-S-SV Side View Soldered Leads Only |
| | LED-CHL-WOD-EC | (2) End caps for LED-CHL-WOD one solid, one with hole. | N/A | | | | |

**COVE WITH MOUNTING CHANNEL
AND LED TAPE LENS NEXT PAGE**



LED TAPE MUD-IN COVE CHANNELS AND ACCESSORIES

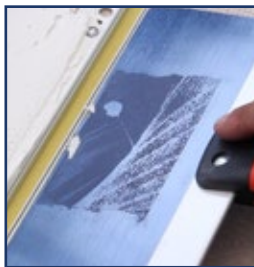
CUSTOM CUTS and CONFIGURATIONS AVAILABLE. CONSULT FACTORY.

| MOUNTING CHANNEL | | | | LED TAPE THAT FITS CHANNEL | LED TAPE CONNECTORS | |
|----------------------------|--|---|-------------------------|-----------------------------------|----------------------------|--------------|
| Catalog No. | Description | Length | Dimensions | LED Tape Series | Fits These Connectors | |
| COVE WITH MOUNTING CHANNEL | LED-CHL-MI-C8 | Standard extruded aluminum mud-in channel for coves. LED-CHL-MI-CMCH8 (included, see below) With frosted lens with mounting clips and screws. | 8' | | LTR-P Professional Series | SureTite EST |
| | LED-CHL-MI-CEC | (2) End caps for LED-CHL-MI-C8 - one solid, one with hole | N/A | | LTR-S Specification Series | |
| | LED-CHL-MI-CMCH8 (INCLUDED WITH LED-CHL-MI-C8) | Mounting channel (included) for LED-CHL-MI-C8 Cove channel. | N/A | | LTR-S COB (Chip On Board) | |
| | | | LTR-S DTW (Dim to Warm) | | | |
| | | | | LTR-S-TW Twist-Task | | |
| | | | | LTR-S-RGBW (Indoor location only) | RTR-EZ | |
| | | | | LTR-E Economy Series | SureTite ST SureTite EZ | |
| | | | | LTR-S-SV Side View | | |

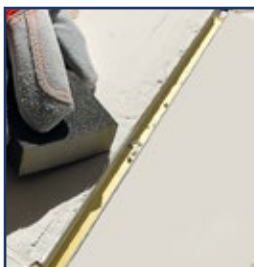
MUD-IN TAPE QUICK 5-STEP PROCESS



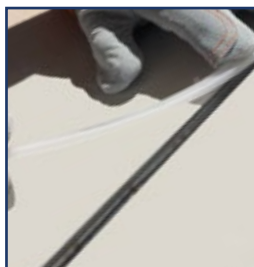
1. Lay in your mud-in channel (in this example, we are using a LED-CHI-MI-SST8). Tape the perforated mud-in collar and prepare for mudding compound.



2. Protect inside of channel with a strip of masking tape. Using mudding compound and a trowel, lay in compound and feathering it out to blend in with the wall.



3. Sand compound smooth, blending the dried compound into the wall. Remove masking tape. Lay in LED tape. Connect tape to power and check connections.



4. Gently arrange lens over channel, and working from the top down, apply pressure until lens snaps into place. Run your fingers along lens to make sure that it is securely captured by channel.



5. You did it! A seamless, professional recessed channel installation that looks clean! Well done!



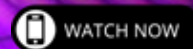
EASY TAPE TO TAPE CONNECTIONS
CONNECTORS, CHANNELS and POWER SUPPLIES

GMLighting®



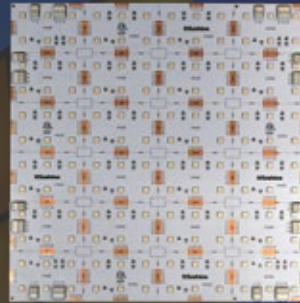


**ADVANCED ILLUMINATION
FLEXIBLE CONFIGURATIONS
ENDLESS CAPABILITIES FOR
DESIGN AND CREATIVITY
WITH LAMINA LED SHEETS**



SEE NEXT PAGE

LAMINA CONFIGURABLE LED SHEET



Lamina 12inx12in

| | |
|--------------------|----|
| Single Color | 68 |
| RGBW | 68 |
| Connectors | 68 |

LAMINA 24VDC FLEXIBLE LED SHEET STANDARD/HIGH OUTPUT AND RGBW



Lamina is a 24VDC flexible light sheet that can be cut in the field into geometric shapes, creating limitless illumination possibilities. Installation is easy and the operation is relatively cool. Lamina needs no heat sinks or dissipater that may mar the clean and even presentation. Lamina is connectible via integral push-in connectors. Installation is as easy as using one of two options: peel and stick or staples and screws. Conforms to curvilinear shapes like round columns.



STANDARD & HIGH OUTPUT

- 24VDC
- 2700K, 3000K, 3500K, 4000K
- Dimming: Triac
- 90+ CRI
- Dry location
- 128 LED's per sq. foot (1 inch spacing)
- Connectible via integral push-in connectors
- Max run 5W: 20 sheets / 10W: 10 sheets
- Certification: Closet Rated, ETL
- 5 year warranty

RGBW

- RGBW
- 11.5W/Sq. Foot
- 24VDC, 90+ CRI
- Dimmable
- 144 LEDs per sq. foot with 1" spacing
- New convenient size 12x12in = 1 Sq. Ft
- Connectible via integral push-in connectors
- Multiple control options: LUXcontrol™ Wireless or RF Remote or DMX
- 3M tape, staple or screw mounting options
- For indoor use only
- ETL, IP20, Title24

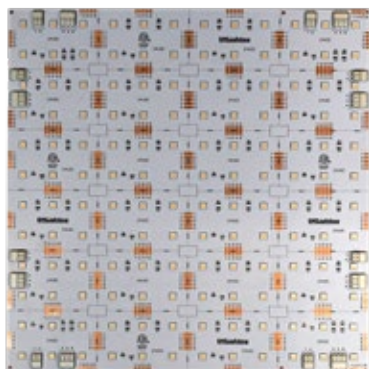
ORDERING INFORMATION

| Product No. | Output | Dimension | Lumens per ft. | CRI | Color Temp. | Wattage |
|--------------|--------|-----------|----------------|-----|-------------|------------------|
| S12X12-S0-27 | 24VDC | 12" x 12" | 500 | 90+ | 2700K | 5W / sq. foot |
| S12X12-S0-30 | 24VDC | 12" x 12" | 500 | 90+ | 3000K | 5W / sq. foot |
| S12X12-S0-35 | 24VDC | 12" x 12" | 500 | 90+ | 3500K | 5W / sq. foot |
| S12X12-S0-40 | 24VDC | 12" x 12" | 500 | 90+ | 4000K | 5W / sq. foot |
| S12X12-H0-27 | 24VDC | 12" x 12" | 1000 | 90+ | 2700K | 10W / sq. foot |
| S12X12-H0-30 | 24VDC | 12" x 12" | 1000 | 90+ | 3000K | 10W / sq. foot |
| S12X12-H0-35 | 24VDC | 12" x 12" | 1000 | 90+ | 3500K | 10W / sq. foot |
| S12X12-H0-40 | 24VDC | 12" x 12" | 1000 | 90+ | 4000K | 10W / sq. foot |
| S12X12-RGBW | 24VDC | 12" x 12" | 420lm (White) | 90+ | RGBW | 11.5W / sq. foot |

CONNECTORS

| Product No. | Description |
|-----------------|---|
| S12X12-SSC | 2-PIN & 3-PIN Push-in wire connector for Standard/High Output |
| S12X12-RGBW-SSC | 2-PIN & 3-PIN Push-in wire connector for RGBW |

THE 12" x 12" SIZE FOR EASY AND CONVENIENT INSTALLATION



Lamina RGBW
12" x 12"



Lamina Standard / High Output,
12" x 12"









WALL GRAZING AND WALL WASHING LED OPTIC TAPE



VortexLED Optic Tape

| | |
|------------------------------|----|
| Wall Grazing 30° | 72 |
| Wall Washing 45° | 72 |
| VortexLED Connectors | 72 |
| VortexLED Channels | 72 |
| VortexLED Photometrics | 73 |



VorteXLED

24VDC Optic LED Tape

Wall Washing and Wall Grazing



PRODUCT DESCRIPTION

GM Lighting's new VortexLED series is designed for spaces where vertical illumination is needed. With a uniform light distribution, VortexLED is a perfect solution for wall washing, wall grazing and accent lighting.

Available in multiple color temperatures and two beam angles 30° (wall grazing) and asymmetrical 45° (wall washing). VortexLED tape is a high performance lighting solution for complex as well as standard applications. Perfect for high-end residential, retail, hospitality, museums and art galleries that require high quality wall washing or grazing.

KEY FEATURES

- 5.8W per foot
- 24VDC
- Available in 2700K, 3000K and 4000K
- 90+ CRI
- Cuttable every 6 inches
- Compatible with LUXcontrol WiFi system
- Custom lengths available - consult factory
- 30° (grazing), 45° beam angle (wall wash)
- Dimmable
- Suitable for wet locations - IP65
- 3M adhesive back
- Maximum run on a given lead is 16'
- UL listed

ORDERING INFORMATION

| Catalog No. | Length | Wattage | Color Temp | CRI | Lumens | Max Run |
|-----------------------|---------------------------|----------|------------|-----|--------|---------|
| VTX-A-24V-5.8W-27K-FT | 45° | | 2700K | 90+ | 580 | |
| VTX-A-24V-5.8W-30K-FT | Asymmetric / Wall Wash | Per Foot | 3000K | 90+ | 610 | 16' |
| VTX-A-24V-5.8W-40K-FT | | | 4000K | 90+ | 640 | |
| VTX-G-24V-5.8W-27K-FT | 30° | | 2700K | 90+ | 510 | |
| VTX-G-24V-5.8W-30K-FT | 30° Wall Grazing | Per Foot | 3000K | 90+ | 540 | 16' |
| VTX-G-24V-5.8W-40K-FT | | | 4000K | 90+ | 570 | |

Each reel includes 48" leads. Operating temp.: -4° - 130°F. For ordering details, see Vortex configurator at www.gmlighting.net

ACCESSORIES

| Cat. No. | Description |
|--------------|---|
| VTX-TTC6 | 6in tape to tape connector |
| VTX-TTC12 | 12in tape to tape connector |
| VTX-TTC24 | 24in tape to tape connector |
| VTX-EC | VortexLED tape end cap (installed on configured tape) |
| VTX-CHL4 | VortexLED 4ft. channel |
| VTX-CHL8 | VortexLED 8ft. channel |
| VTX-LENS-4 | VortexLED 4ft. lens for channel |
| VTX-LENS-8 | VortexLED 8ft. lens for channel |
| VTX-CHL-JC | VortexLED 8ft. channel joint couplers (set of 2 with screws) |
| VTX-CHL-EC | VortexLED 4ft. channel end cap (set of 2) |
| VTX-CHL-AMC | VortexLED 4ft. channel adjustable mounting brackets (set of 2 with screws) |
| VTX-PCHW8 | VortexLED 8ft. power cord hard wired, standard feed (installed on configured tape) |
| VTX-PCHW8-AF | VortexLED 8ft. power cord hard wired, alternate feed (installed on configured tape) |

24

VOLT

JWET

LOCATION

90+

CRI

FIELD

CUTTABLE

DIMMABLE

IP

65

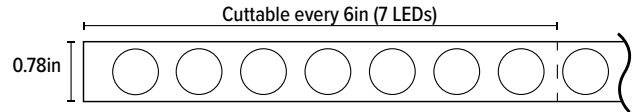
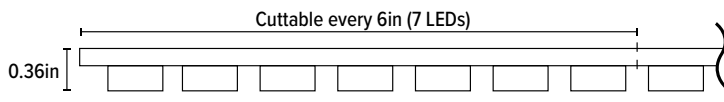
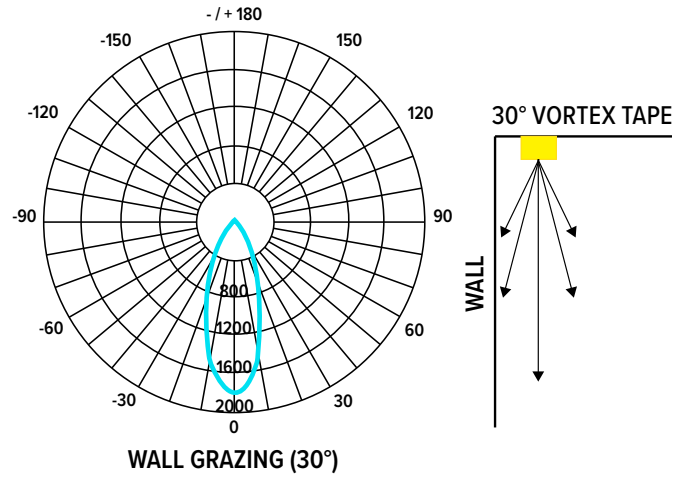
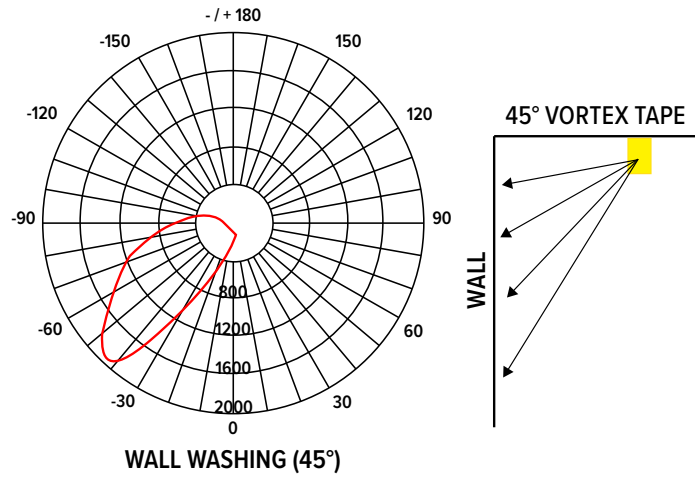
5Yr.

WARRANTY

UL


C US

PHOTOMETRICS



NeoVision24™





24VDC NeoVision24™ LED Neon Tape

SIDFLEX (BENDS HORIZONTALLY)

| | |
|-------------------------------|----|
| 3000K, 4000K..... | 76 |
| AMBER, BLUE, GREEN, RED | 76 |
| RGBW COLOR CHANGING | 80 |

TOPFLEX (BENDS VERTICALLY)

| | |
|-------------------------------|----|
| 3000K, 4000K..... | 78 |
| AMBER, BLUE, GREEN, RED | 78 |
| RGBW COLOR CHANGING | 80 |

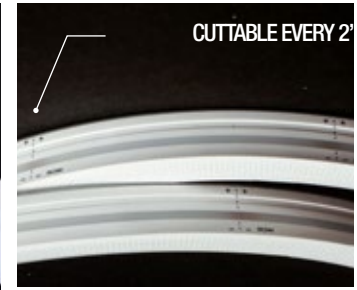
CONNECTORS, CHANNELS AND ACCESSORIES.....

| | |
|--|----|
| | 82 |
|--|----|

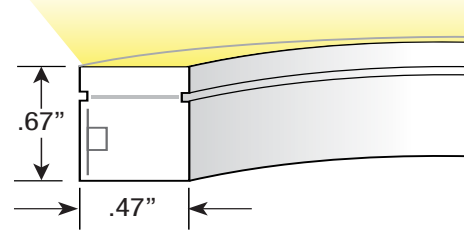


24VDC NeoVision24 Neon SideFlex Tape

- 24 VOLT
- WET LOCATION
- 90+ CRI
- FIELD CUTTABLE
- DIMMABLE
- IP 65
- 5 Yr. WARRANTY
- UL C US



SIDEFLEX CUTAWAY DIAGRAM (Horizontal Bend)



PRODUCT DESCRIPTION

The unmistakable classic look of Neon is now available in a 24 volt flexible, field cuttable and joinable tape that enables a high light transmission linear display that conforms to sweeping horizontal architectural curves.

NeoVision24 beautifully retains the purity and rich, saturated colors that is characteristic of neon.

NOTE: When cutting a reel into smaller runs, each section requires (1) power feed connector and (1) endcap connector. Custom lengths, configurations and alternate color temps available. Consult factory.

KEY FEATURES

- 24VDC operation
- Wet location - IP65
- Multiple power feed options
- Tape encased in UV stable silicone (UV protected)
- Dimmable
- 3000K or 4000K / Blue, Red, Green or Amber
- 120° viewing angle
- Maximum run: 32'-8"
- Field cuttable and joinable in 2 inch increments while retaining IP65 - no tools required
- Mounting clips included (recommended use 1 per foot)
- 5 year warranty when used with a GM power supply

ORDERING INFORMATION

| Catalog No. | Length | Wattage | Lumens per Foot | Color Temp | CRI |
|-----------------|--------|----------|-----------------|------------|-----|
| NV24S-3W-30K-16 | 16'-4" | 3W / FT. | 90 | 3000K | 90+ |
| NV24S-3W-30K-32 | 32'-8" | 3W / FT. | 90 | 3000K | 90+ |
| NV24S-3W-40K-16 | 16'-4" | 3W / FT. | 98 | 4000K | 90+ |
| NV24S-3W-40K-32 | 32'-8" | 3W / FT. | 98 | 4000K | 90+ |
| NV24S-3W-AM-16 | 16'-4" | 3W / FT. | N/A | Amber | N/A |
| NV24S-3W-AM-32 | 32'-8" | 3W / FT. | N/A | Amber | N/A |
| NV24S-3W-BL-16 | 16'-4" | 3W / FT. | N/A | Blue | N/A |
| NV24S-3W-BL-32 | 32'-8" | 3W / FT. | N/A | Blue | N/A |
| NV24S-3W-GR-16 | 16'-4" | 3W / FT. | N/A | Green | N/A |
| NV24S-3W-GR-32 | 32'-8" | 3W / FT. | N/A | Green | N/A |
| NV24S-3W-RD-16 | 16'-4" | 3W / FT. | N/A | Red | N/A |
| NV24S-3W-RD-32 | 32'-8" | 3W / FT. | N/A | Red | N/A |

Every reel includes (1) NV24S-PF-EF (tape to power feed with 48" of lead.). 16' reel includes (16) NV24S-MC-A mounting clips and screws. 32' reel comes with (32) NV24S-MC-A mounting clips and screws. Operating temp.: -4° - 130°F.

Complete Your Installation

| | |
|--|-----|
| NeoVision24 Connectors and Accessories | 82 |
| Power Supplies (sections begin on page)..... | 193 |
| Wet Location Wire Splice Connector..... | 53 |





24VDC NeoVision24 Neon TopFlex Tape

24 VOLT

JWET LOCATION

90+ CRI

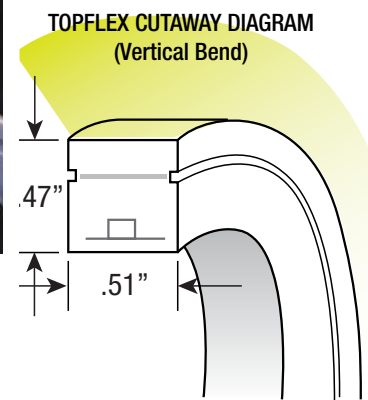
FIELD CUTTABLE

DIMMABLE

IP 65

5 Yr. WARRANTY

UL C US



PRODUCT DESCRIPTION

The unmistakable classic look of Neon is now available in a 24 volt flexible, field cuttable and joinable tape that enables a high light transmission linear display that conforms to vertical curves and architectural curvilinear details. NeoVision24 beautifully retains the purity and rich, saturated colors that is characteristic of neon.

NOTE: When cutting a reel into smaller runs, each section requires (1) power feed connector and (1) endcap connector. Custom lengths, configurations and alternate color temps available. Consult factory.

KEY FEATURES

- 24VDC operation
- Wet location - IP65
- Multiple power feed options
- Tape encased in UV stable silicone (UV protected)
- Dimmable
- 3000K or 4000K / Blue, Red, Green or Amber
- 120° viewing angle
- Maximum run: 32'-8"
- Field cuttable and joinable in 2 inch increments while retaining IP65 - no tools required
- Mounting clips included (recommended use 1 per foot)
- 5 year warranty when used with a GM power supply

ORDERING INFORMATION

| Catalog No. | Length | Wattage | Lumens per Foot | Color Temp | CRI |
|-----------------|--------|----------|-----------------|------------|-----|
| NV24T-3W-30K-16 | 16'-4" | 3W / FT. | 146 | 3000K | 90+ |
| NV24T-3W-30K-32 | 32'-8" | 3W / FT. | 146 | 3000K | 90+ |
| NV24T-3W-40K-16 | 16'-4" | 3W / FT. | 149 | 4000K | 90+ |
| NV24T-3W-40K-32 | 32'-8" | 3W / FT. | 149 | 4000K | 90+ |
| NV24T-3W-AM-16 | 16'-4" | 3W / FT. | N/A | Amber | N/A |
| NV24T-3W-AM-32 | 32'-8" | 3W / FT. | N/A | Amber | N/A |
| NV24T-3W-BL-16 | 16'-4" | 3W / FT. | N/A | Blue | N/A |
| NV24T-3W-BL-32 | 32'-8" | 3W / FT. | N/A | Blue | N/A |
| NV24T-3W-GR-16 | 16'-4" | 3W / FT. | N/A | Green | N/A |
| NV24T-3W-GR-32 | 32'-8" | 3W / FT. | N/A | Green | N/A |
| NV24T-3W-RD-16 | 16'-4" | 3W / FT. | N/A | Red | N/A |
| NV24T-3W-RD-32 | 32'-8" | 3W / FT. | N/A | Red | N/A |

Every reel includes (1) NV24T-PF-EF (tape to power feed with 48" of lead.). 16' reel includes (16) NV24T-MC-A mounting clips and screws. 32' reel comes with (32) NV24T-MC-A mounting clips and screws. Operating temp.: -4° - 130°F.

Complete Your Installation

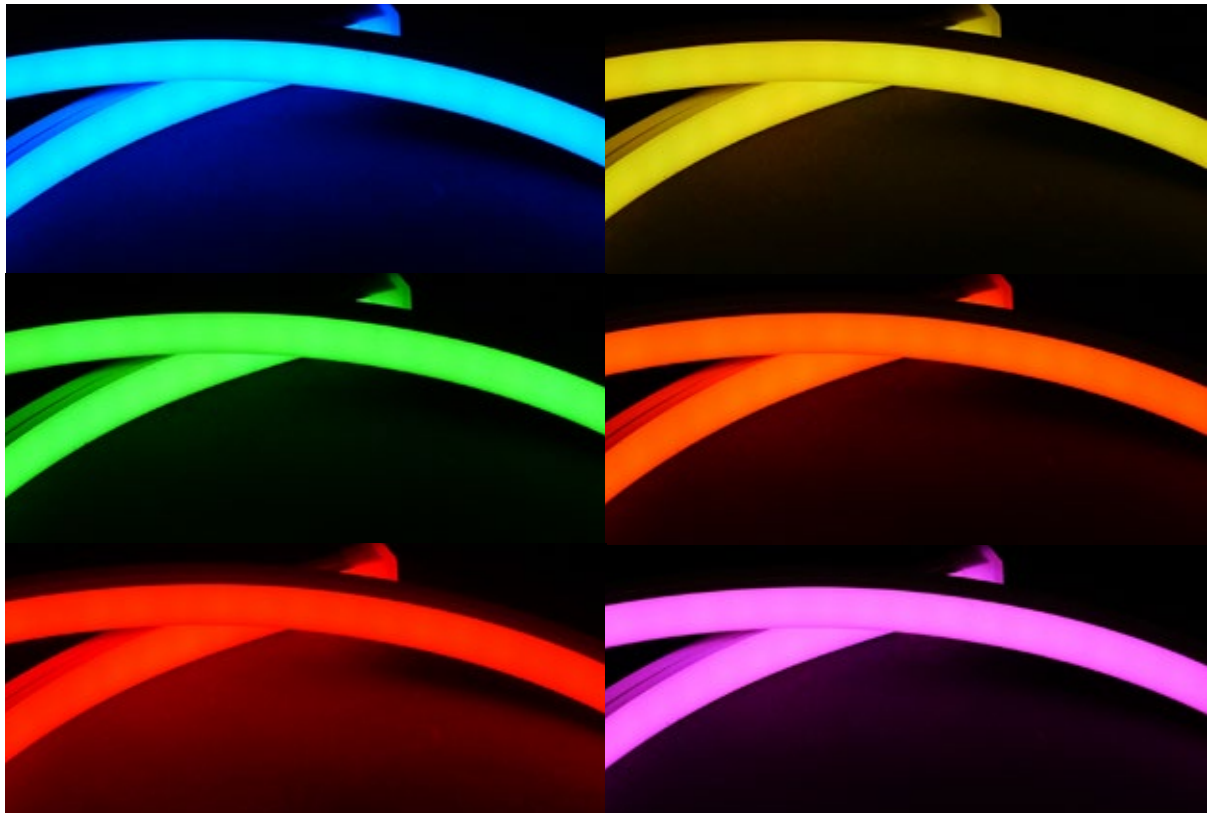
NeoVision24 Connectors and Accessories82
 Power Supplies (sections begin on page)..... 193
 Wet Location Wire Splice Connector.....53



24VDC NeoVision24 Neon Flexible SideFlex or TopFlex RGBW



- 24 VOLT**
- JWET LOCATION**
- 90+ CRI**
- FIELD CUTTABLE**
- RGBW**
- IP 65**
- 5 Yr. WARRANTY**
- UL US**



PRODUCT DESCRIPTION

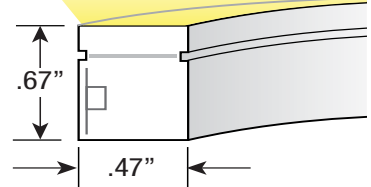
RGBW has never been richer with more saturated colorful hues than with 24 volt flexible RGBW neon tape that enables a dramatic color changing linear display from the top or side, conforming to sweeping architectural curves. Perfect for hospitality, clubs, themed environments - or anywhere that color drives forward your lighting scheme, NeoVision24 RGBW is a controllable color lighting solution.

NOTE: Use with 24VDC non-dimming power supply only (see page 183, 194). Custom lengths and configurations available. Consult factory.

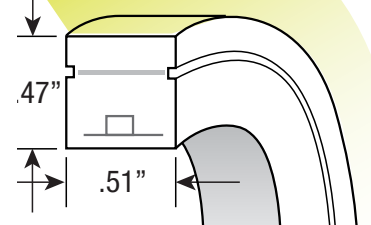
KEY FEATURES

- 24VDC operation
- Wet location - IP65
- Multiple power feed options
- Tape encased in UV stable silicone (UV protected)
- Dimmable via handheld remote
- Controllable RGBW (use with controller on next page)
- 120° viewing angle
- Maximum run: 16'-4"
- Cuttable in 2.5 inch (64mm)
- Cut and cap only
- Mounting clips included (recommended use 1 per foot)
- 5 year warranty when used with a GM power supply

**SIDEFLEX
NV24S-4W-RGBW-16
CUTAWAY DIAGRAM**



**TOPFLEX
NV24T-4W-RGBW-16
CUTAWAY DIAGRAM**



ORDERING INFORMATION

| Catalog No. | Length | Wattage | Color Temp (White) | CRI |
|------------------|--------|------------|--------------------|-----|
| NV24S-4W-RGBW-16 | 16'-4" | 4.3W / FT. | 3500K | 90+ |
| NV24T-4W-RGBW-16 | 16'-4" | 4.3W / FT. | 3500K | 90+ |

16ft. reel includes 48" leads on each end. 16' reel includes (16) NV24T-MC-A mounting clips and screws. 32' reel includes (32) NV24T-MC-A mounting clips and screws. Operating temp.: -4° - 130°F.

Complete Your Installation

| | |
|--|-----|
| NeoVision24 RGBW Controllers and Accessories | 82 |
| Electronic Non-Dimmable Power Supplies | 196 |

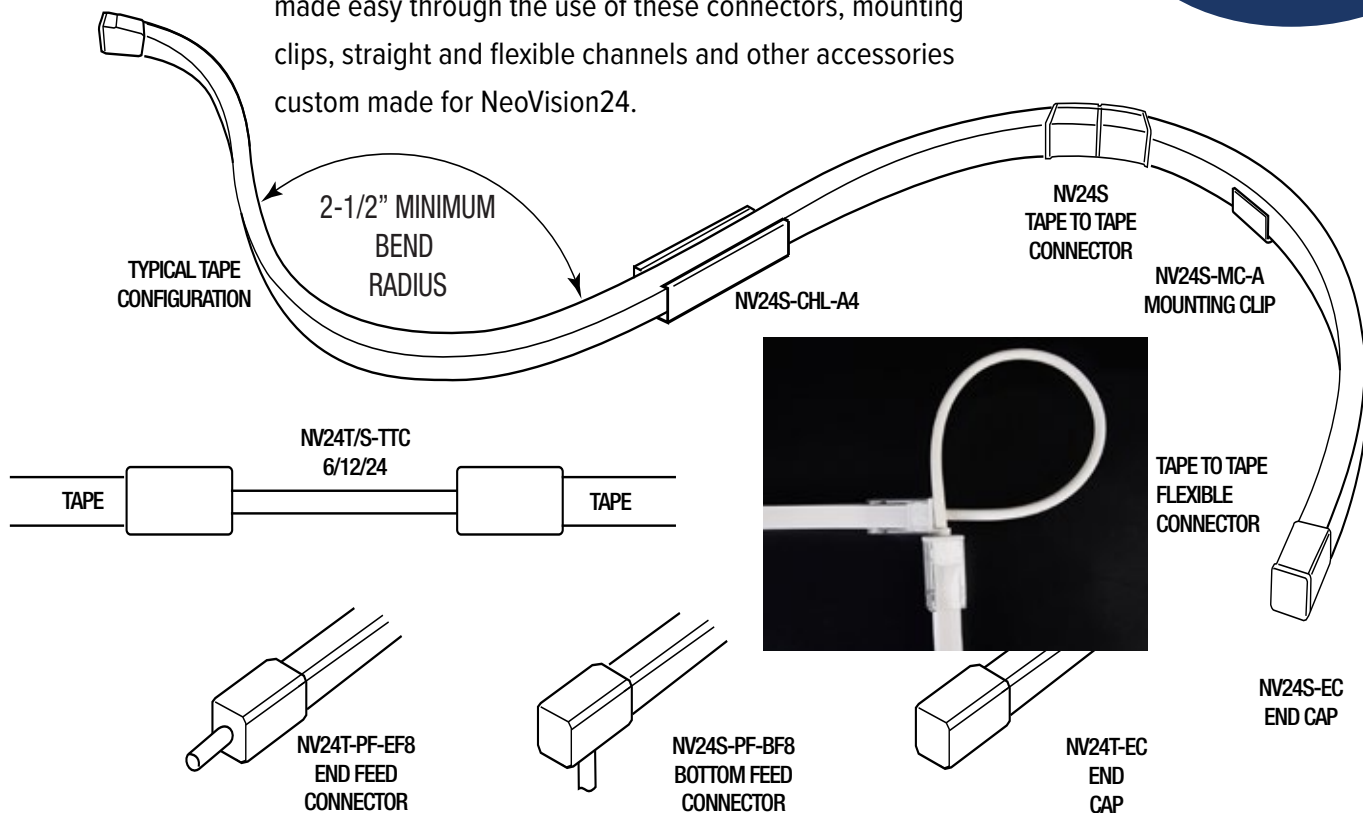


WATCH NOW

24VDC NeoVision24 Neon Flexible SideFlex or TopFlex Connectors and Mounting Accessories

**IN THE FIELD
NO TOOL REQUIRED
IP65 CONNECTORS**

Configuring, connecting and mounting a NeoVision24 run is made easy through the use of these connectors, mounting clips, straight and flexible channels and other accessories custom made for NeoVision24.



NV24S - SIDEFLEX ACCESSORY ORDERING

| Cat. No. | Description |
|----------------|---|
| NV24S-PF-EF8 | Tape to Power Flexible End Connector - 8 ft. length |
| NV24S-PF-BF8 | Tape to Power Flexible Bottom Connector - 8 ft. |
| NV24S-SP | Tape to Tape Connector (splice) |
| NV24S-CHL-A4 | Aluminum Channel - 4 ft. length |
| NV24S-CHL-A8 | Aluminum Channel - 8 ft. length |
| NV24S-MC-A | Aluminum Mounting Clip (set of 20) |
| NV24S-TTC6 | Tape to Tape 6" Flexible Connector |
| NV24S-TTC12 | Tape to Tape 12" Flexible Connector |
| NV24S-TTC24 | Tape to Tape 24" Flexible Connector |
| NV24S-FLEX-CHL | Flexible Mounting Channel - 39.5" |
| NV24S-EC | End Cap |

SIDEFLEX ACCESSORY NOTES:

The above connectors, channels, mounting clips and caps are for the exclusive use of NeoVision24 SideFlex Neon Tape. See accessory images on next page.

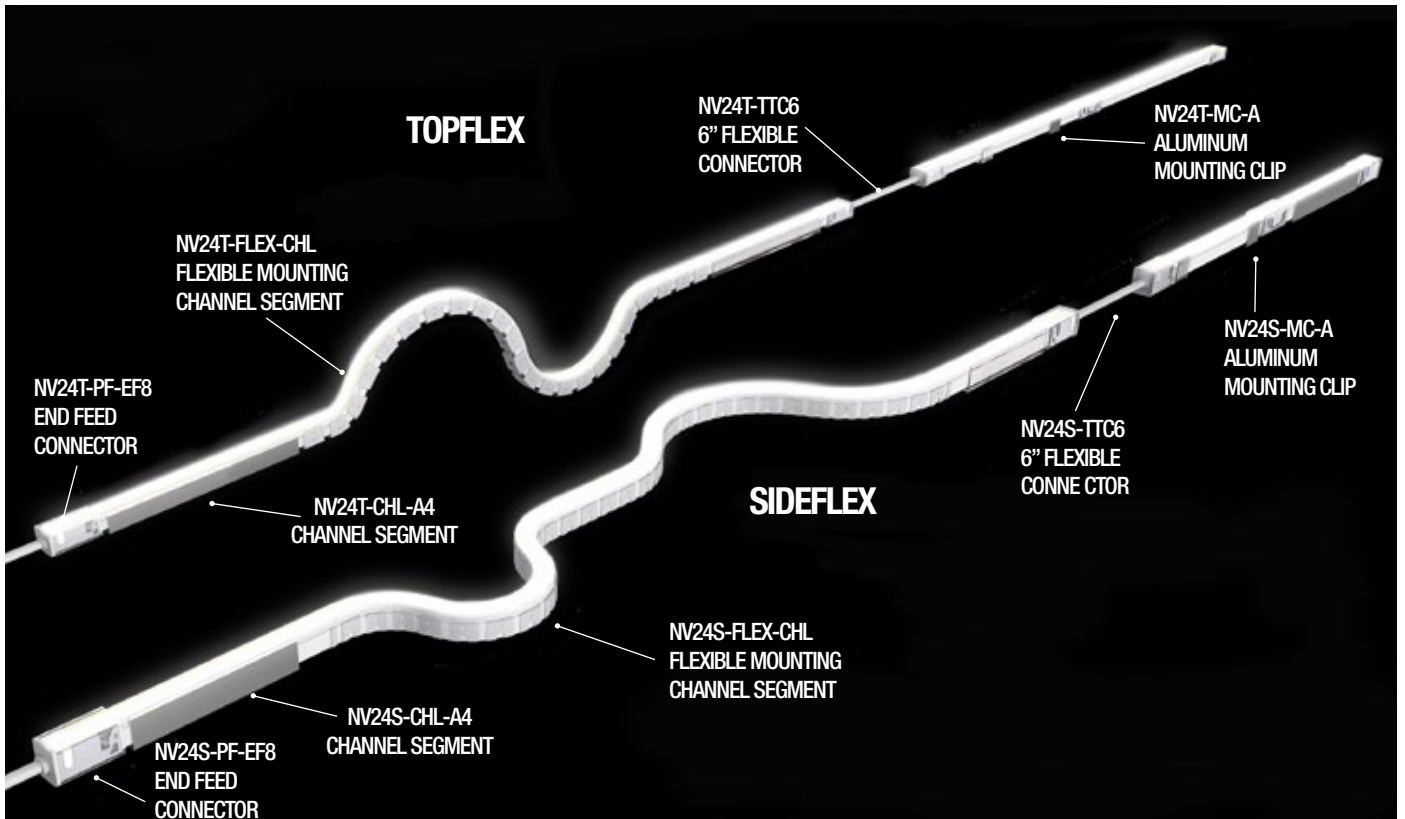
NV24T - TOPFLEX ACCESSORY ORDERING

| Cat. No. | Description |
|----------------|---|
| NV24T-PF-EF8 | Tape to Power Flexible End Connector - 8 ft. length |
| NV24T-PF-BF8 | Tape to Power Flexible Bottom Connector - 8 ft. |
| NV24T-SP | Tape to Tape Connector (splice) |
| NV24T-CHL-A4 | Aluminum Channel - 4 ft. length |
| NV24T-CHL-A8 | Aluminum Channel - 8 ft. length |
| NV24T-MC-A | Aluminum Mounting Clip (set of 20) |
| NV24T-TTC6 | Tape to Tape 6" Flexible Connector |
| NV24T-TTC12 | Tape to Tape 12" Flexible Connector |
| NV24T-TTC24 | Tape to Tape 24" Flexible Connector |
| NV24T-FLEX-CHL | Flexible Mounting Channel - 39.5" |
| NV24T-EC | End Cap |

TOPFLEX ACCESSORY NOTES:

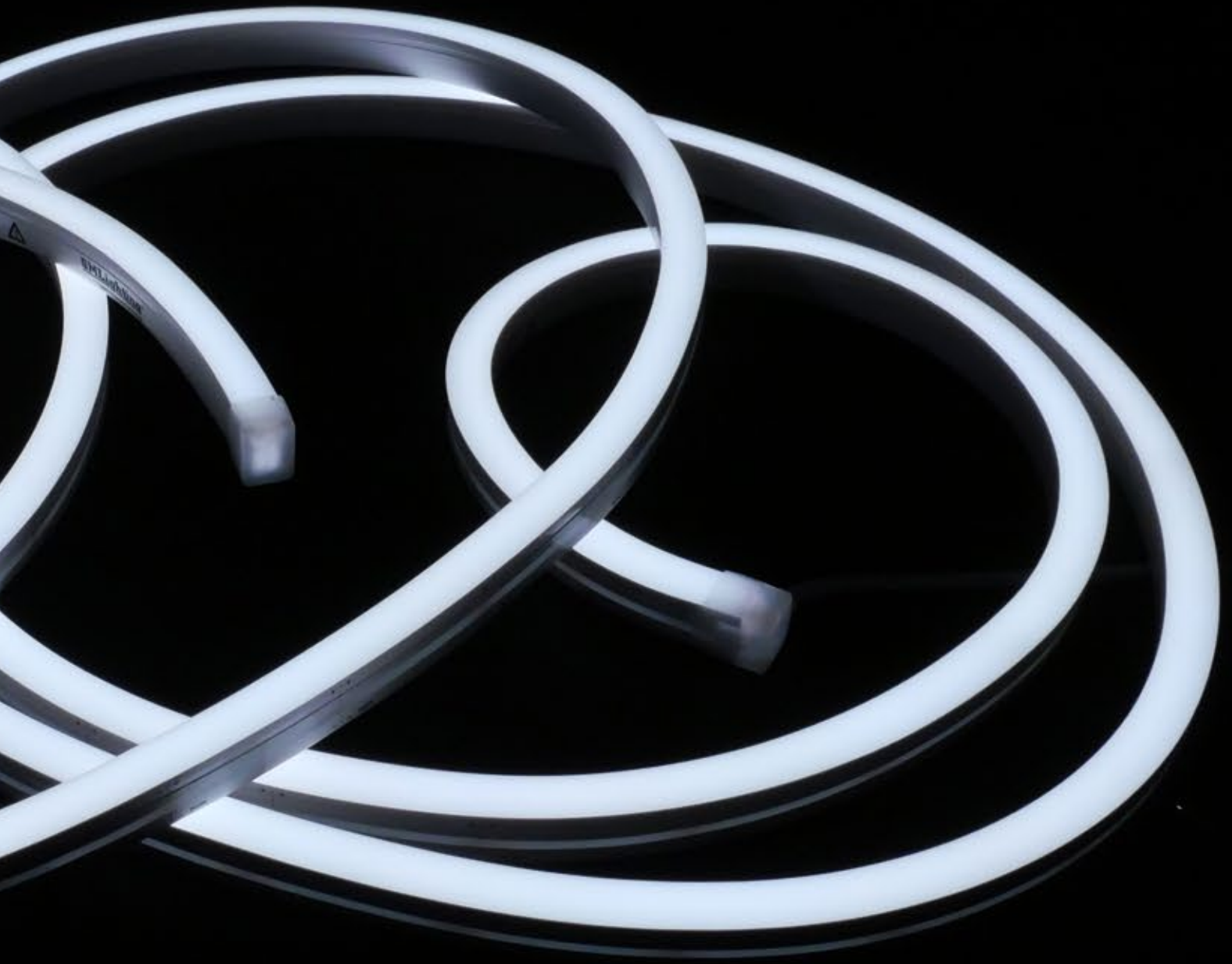
The above connectors, channels, mounting clips and caps are for the exclusive use of NeoVision24 TopFlex Neon Tape. See accessory images on next page.

24VDC NeoVision24 Typical Run



Neon. The name
conjured up images
of exotic lighting and
pulsating colors. Turn
to page 74 and witness
NeoVision24.





An example of how lighting defines an interior - whether it is indoors or outdoors, Vision120 fits the bill.



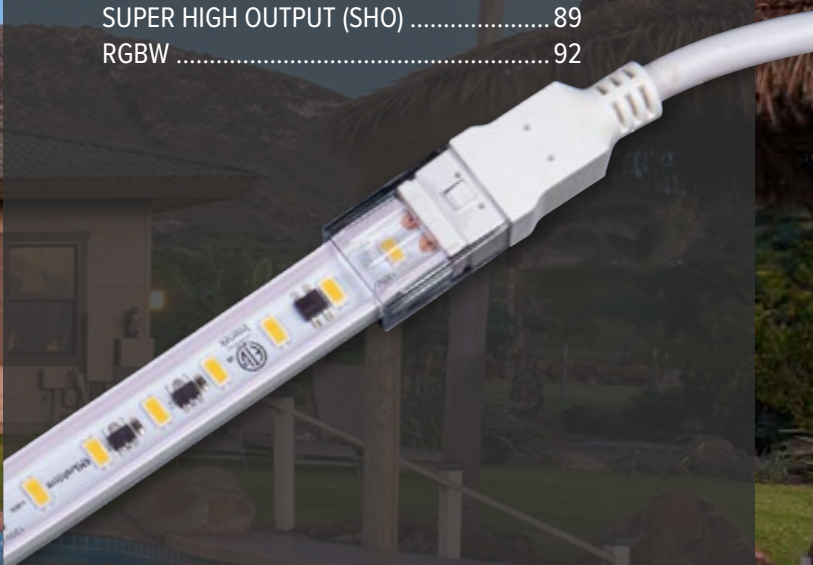


120V Vision120™ LED Tape



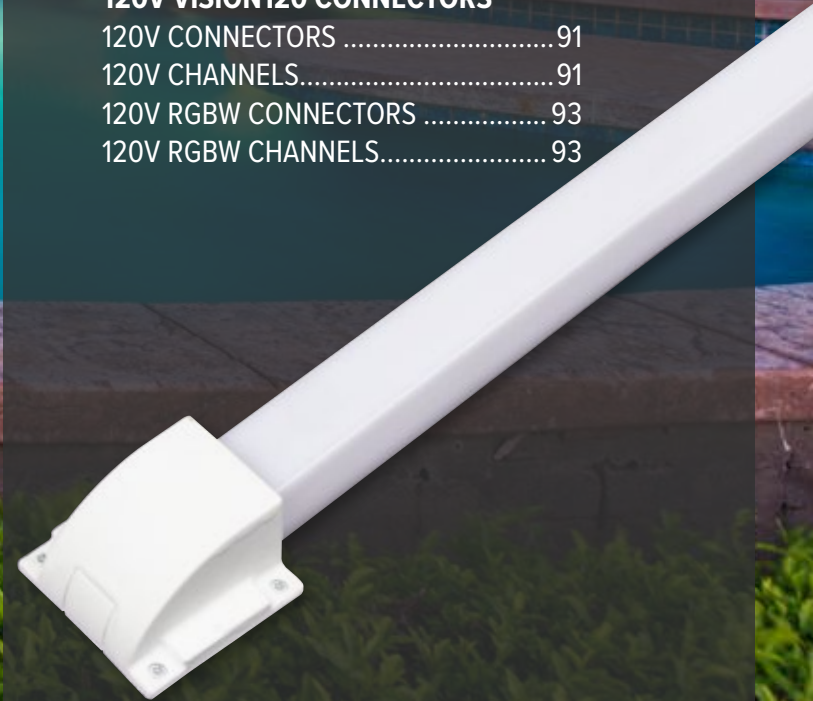
120V VISION120

| | |
|-------------------------------|----|
| STANDARD OUTPUT (SO) | 89 |
| AMBER, BLUE, GREEN, RED | 89 |
| HIGH OUTPUT (HO) | 89 |
| SUPER HIGH OUTPUT (SHO) | 89 |
| RGBW | 92 |



120V VISION120 CONNECTORS

| | |
|----------------------------|----|
| 120V CONNECTORS | 91 |
| 120V CHANNELS..... | 91 |
| 120V RGBW CONNECTORS | 93 |
| 120V RGBW CHANNELS..... | 93 |



120V Vision120 WET LOCATION LED TAPE



- 120 VOLT
- JWET LOCATION
- 90+ CRI
- NOT FIELD CUTTABLE
- DIM
- IP 65
- 5 Yr WARRANTY
- ETL Intertek



PRODUCT DESCRIPTION

It's always been our vision to provide the simplest solution for long runs of 120V linear LED lighting. Vision120 is a factory cut to your specifications, wet location flexible LED tape that comes available in standard, high or super high output, in a variety of colors and color temperatures. Perfect for architectural coves, indoor or exterior recesses, steps, banisters, light edging or other constructs where even, energy efficient LED illumination is specified.

NOTE: Factory cut to your specification. Not field cuttable.

KEY FEATURES

- 120V operation (no power supply required)
- Wet location - IP65
- 90+ CRI
- Operating temp.: -4°F - 107°F
- Power feed options
- Tape encased in water resistant clear poly flexible sheath (UV protected)
- Dimmable with ELV (Triac)
- 2700K, 3000K or 4000K
- Blue, Red, Green or Amber (standard output only)
- 120° viewing angle
- Standard, High and Super High output: Available in 4 inch increments
- Super high output: Available in 4 inch increments
- Maximum run: 163' (standard output)
- Maximum run: 149' (high output)
- Maximum run: 59' (super high output)
- Uses mounting clips (1 per foot), PVC channels or aluminum channels (frosted lenses available)
- 5 year warranty

WET LOCATION

Can be exposed to elements but not immersed in water.

LONG RUNS

59' for super high output, 149' for high output and 163' for standard output.

ACCENT LIGHTING

Use with optional mounting channel to enhance and accent.

INTERIOR LIGHTING

Perfect for coves, undercabinet, toe kick and hallways.



SPECIFYING Vision120

Standard Output (Do not exceed max. run of 163') - Cut in 4 inch increments

1. Select Color Temp. or Color

| Catalog No. | Output | Length | LED Wattage | Lumens per Foot | Color Temp | CRI |
|----------------|----------|----------------|-------------|-----------------|------------|-----|
| V120-S0-27-XXX | Standard | Custom to 163' | 2W / FT. | 140 | 2700K | 90+ |
| V120-S0-30-XXX | Standard | Custom to 163' | 2W / FT. | 150 | 3000K | 90+ |
| V120-S0-40-XXX | Standard | Custom to 163' | 2W / FT. | 160 | 4000K | 90+ |
| V120-S0-RD-XXX | Standard | Custom to 163' | 2W / FT. | N/A | Red | N/A |
| V120-S0-BL-XXX | Standard | Custom to 163' | 2W / FT. | N/A | Blue | N/A |
| V120-S0-GR-XXX | Standard | Custom to 163' | 2W / FT. | N/A | Green | N/A |
| V120-S0-AM-XXX | Standard | Custom to 163' | 2W / FT. | N/A | Amber | N/A |

2. Use the following ordering example:



To order a 112' length of 2700K tape specify: **V120-S0-27-112**

To order an 8' length of 3000K tape specify: **V120-S0-30-8**

To order a 72'-4" length of 4000K tape specify: **V120-S0-40-72**

NOTE: Each run requires power feed
Recommended dimmers:
Lutron Skylark
Lutron DVCL 153

High Output (Do not exceed max. run of 149') - Cut in 4 inch increments

1. Select Color Temp. (Colors not available in High Output)

| Catalog No. | Output | Length | LED Wattage | Lumens per Foot | Color Temp | CRI |
|------------------|--------|----------------|-------------|-----------------|------------|-----|
| V120-H0-27-XXX-X | High | Custom to 149' | 4W / FT. | 305 | 2700K | 90+ |
| V120-H0-30-XXX-X | High | Custom to 149' | 4W / FT. | 315 | 3000K | 90+ |
| V120-H0-40-XXX-X | High | Custom to 149' | 4W / FT. | 335 | 4000K | 90+ |

Kelvin temperature (color) ± 100K

2. Use the following ordering example:



To order an 8' length of 2700K tape specify: **V120-H0-27-8**

To order a 24'-8" length of 3000K tape specify: **V120-H0-30-24-8**

To order a 148'-4" length of 4000K tape specify: **V120-H0-40-148-4**

NOTE: Each run requires power feed
Recommended dimmers:
Lutron Skylark
Lutron DVCL 153

Super High Output (Do not exceed max. run of 59') - Cut in 4 inch increments

1. Select Color Temp. (Colors not available in High Output)

| Catalog No. | Output | Length | LED Wattage | Lumens per Foot | Color Temp.* | CRI |
|-------------------|------------|---------------|-------------|-----------------|--------------|-----|
| V120-SHO-27-XXX-X | Super High | Custom to 59' | 6W / FT. | 500 | 2700K | 90+ |
| V120-SHO-30-XXX-X | Super High | Custom to 59' | 6W / FT. | 515 | 3000K | 90+ |
| V120-SHO-40-XXX-X | Super High | Custom to 59' | 6W / FT. | 530 | 4000K | 90+ |

* Kelvin temperature (color) ± 100K

2. Use the following ordering example:



To order a 10' length of 2700K tape specify: **V120-SHO-27-10**

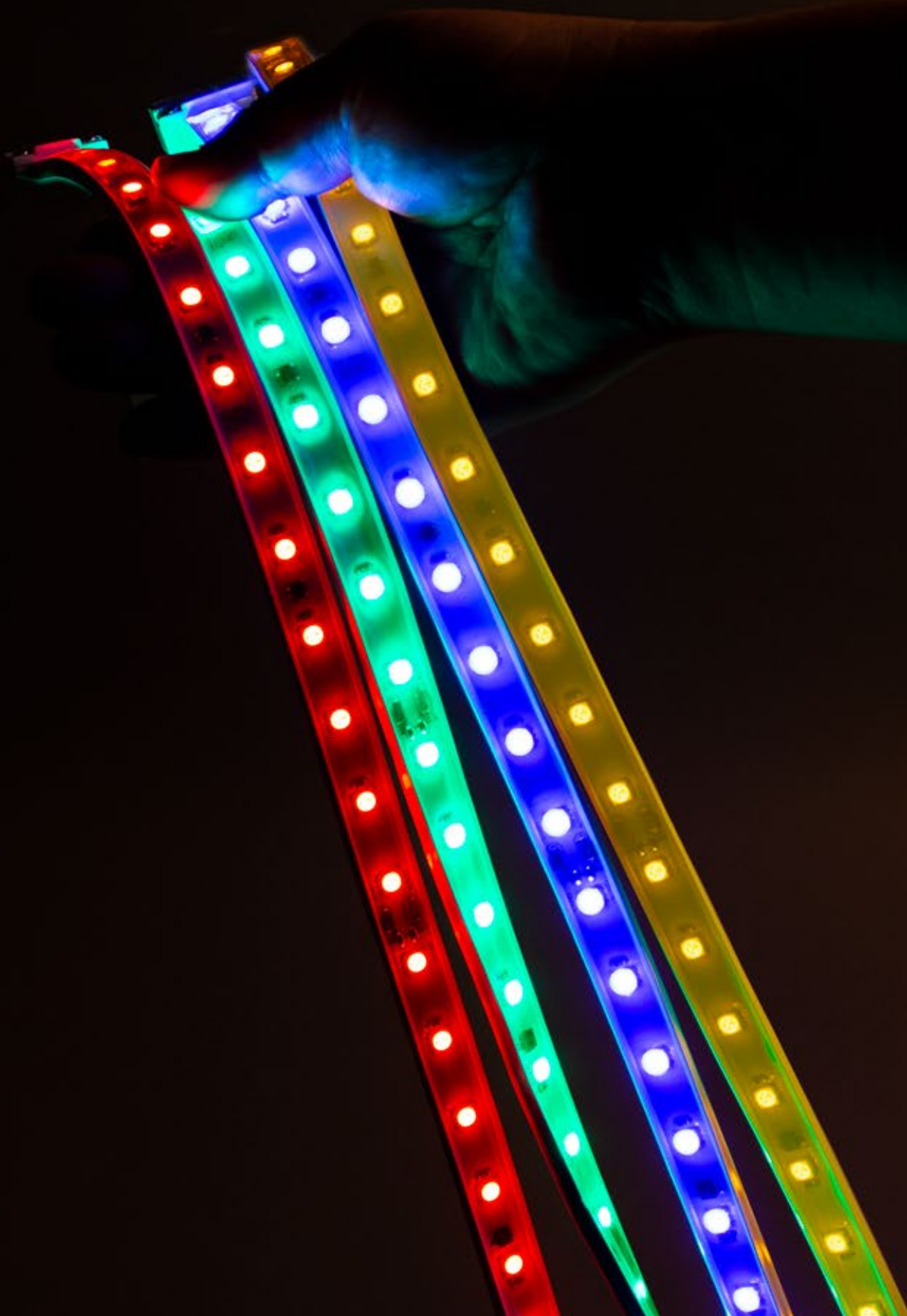
To order a 32'-8" length of 3000K tape specify: **V120-SHO-30-32-8**

To order a 48'-4" length of 4000K tape specify: **V120-SHO-40-48-4**

NOTE: Each run requires power feed
Recommended dimmers:
Lutron Skylark
Lutron DVCL 153

Complete Your Installation

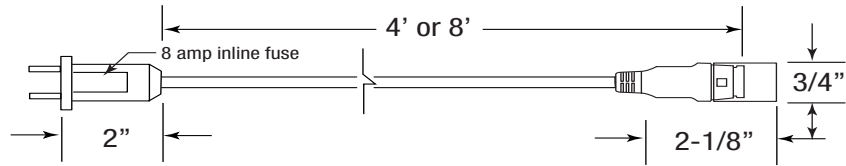
Vision120 Connectors and Mounting Brackets.....91



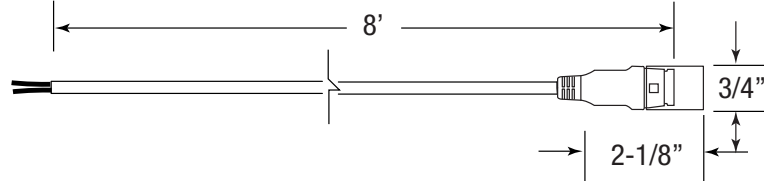
Vision120 Connectors and Mounting Brackets



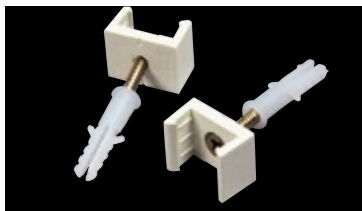
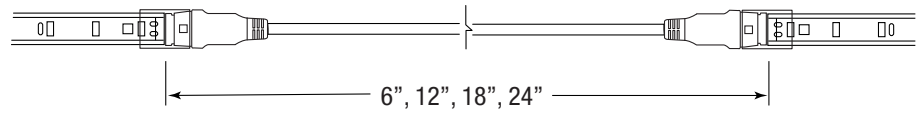
V120-PC-4/8 4' / 8' Power connector - cord and plug



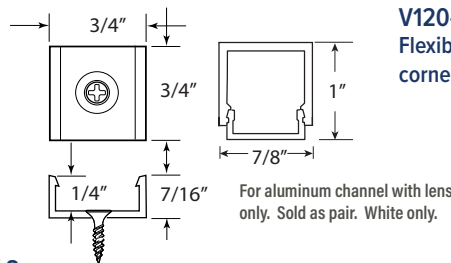
V120-PCHW-8 8' Power connector - hardwire



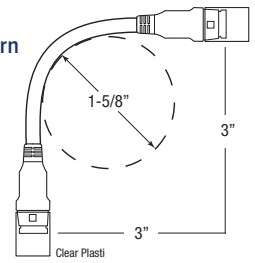
V120-TTC-6/12/18/24 6", 12", 18", 24" tape to tape flexible connector



V120-MC
Mounting clips and screws
(sold in bags of 10)



V120-TTC-6
Flexible to turn corners



LED-CHL-P-4 / 8
Shown with V120-ECC end cap covers. Can also be used with XD channel (see page 58)



V120-CHL-4
4' aluminum mounting channel

Shown without frosted lens or end cap cover. Sold separately.

V120-ECC
End cap cover

V120-90R/L
90° Right/Left Connector

Connectors and Accessories

| Catalog No. | Description |
|-------------------------|--|
| V120-CHL-4 | 4' Aluminum mounting channel. Lens sold separately |
| V120-CHL-4-LENS | Frosted lens for 4' aluminum mounting channel |
| V120-CHL-8 | 8' Aluminum mounting channel. Lens sold separately |
| V120-CHL-8-LENS | Frosted lens for 8' aluminum mounting channel |
| V120-CHL-P-4 | 4' PVC mounting channel (lens not available) |
| V120-CHL-P-8 | 8' PVC mounting channel (lens not available) |
| V120-ECC | End cap covers (2) for aluminum channel with lens. White |
| V120-MC | Bag of 10 mounting clips (use 1 per foot min.) |
| V120-PC-4 | 4' Power connector - cord & plug with 8 amp replaceable fuse |
| V120-PC-8 | 8' Power connector - cord and plug with 8 amp replaceable fuse |
| V120-PCHW-4 | 4' Power connector - hardwire with 8 amp inline replaceable fuse |
| V120-PCHW-8 | 8' Power connector - hardwire with 8 amp inline replaceable fuse |
| V120-TTC-6 | 6" Tape to tape flexible connector |
| V120-TTC-12 | 12" Tape to tape flexible connector |
| V120-TTC-18 | 18" Tape to tape flexible connector |
| V120-TTC-24 | 24" Tape to tape flexible connector |
| V120-3M-VHB-15 | 15' Reel of 3M double sided mounting tape |
| V120-3M-VHB-36YD | 108' reel of 3M double sided mounting tape |
| V120-90R | 90° right connector - for indoor use only |
| V120-90L | 90° left connector - for indoor use only |

120V Vision120 RGBW WET LOCATION LED TAPE



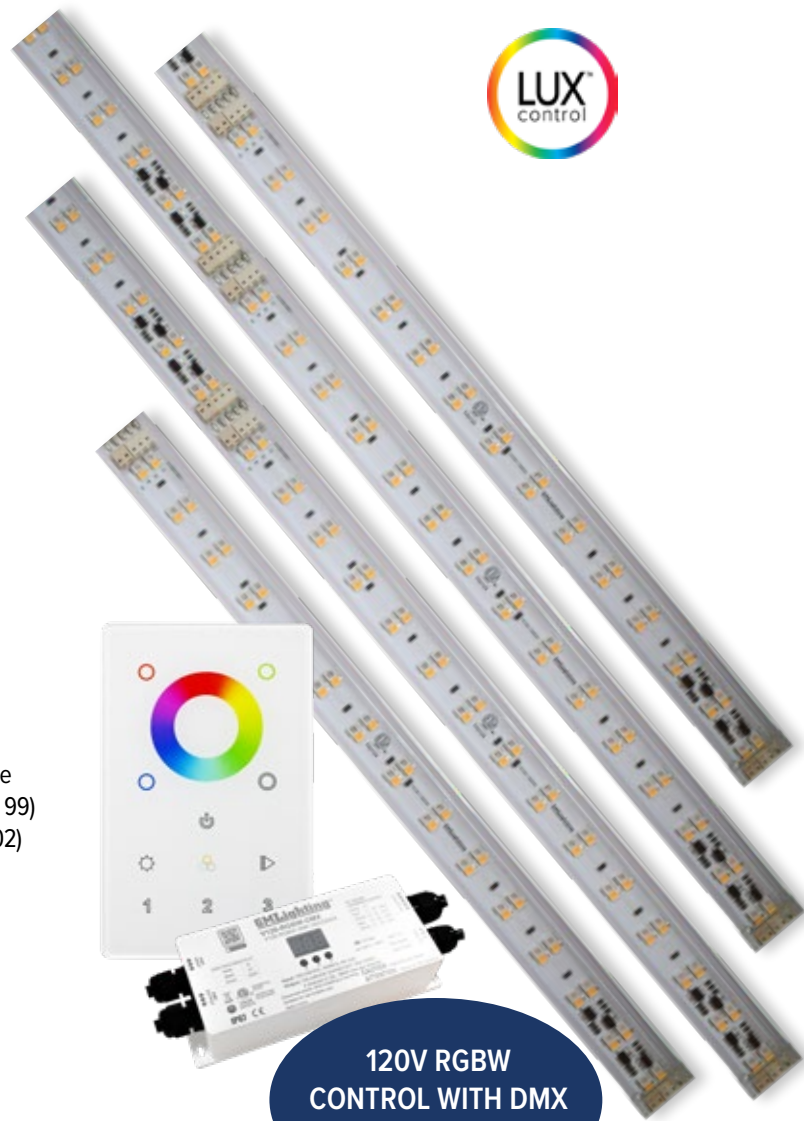
- 120
VOLT
- JWET
LOCATION
- 90+
CRI
- NOT
FIELD
CUTTABLE
- DIM
- IP
65
- 5 Yr.
WARRANTY
- ETL
Intertek

PRODUCT DESCRIPTION

Our V120-RGBW is the newest addition in the Vision120™ series. With a wealth of color options, RGBW is the next generation of color changing technology for indoor & outdoor applications. Vision120™ RGBW is a standard output, wet location flexible LED linear tape that can be factory cut and configured to your specifications.

KEY FEATURES

- 120V operation (no power supply required)
- RGB + 3000K White light
- Indoor or outdoor (IP65)
- Dimmable
- 120° viewing angle
- Power feed, connector & mounting options available
- Works with GM LUXcontrol™ App and controller (pg. 99)
- Works with DMX wall controller and decoder (pg. 102)
- Factory cuts and configurations for quick and easy installation (Cutttable every 12")
- Tape encased in water resistant clear poly flexible sheath (UV protected)
- Maximum run: 150ft.
- 5 year warranty



120V RGBW
CONTROL WITH DMX
PAGE 102

ORDERING INFORMATION

| MODEL | DESCRIPTION |
|--------------|--|
| V120-RGBW-XX | 120V RGBW LED tape, 3W per ft., Wet location |

NOTE: XX = ordered by the foot, enter length



Photo Credit: Ashley Gloster

ACCESSORIES

| MODEL | DESCRIPTION |
|---------------------|---|
| V120-RGBW-CHL4 | 120V RGBW LED tape aluminum mounting channel, 4ft. |
| V120-RGBW-CHL8 | 120V RGBW LED tape aluminum mounting channel, 8ft. |
| V120-RGBW-CHL-LENS4 | 120V RGBW LED tape channel lens, 4ft. |
| V120-RGBW-CHL-LENS8 | 120V RGBW LED tape channel lens, 8ft. |
| V120-RGBW-MC | 120V RGBW LED tape white plastic mounting clip (bag of 20) |
| V120-RGBW-TTC6 | 120V RGBW 6in flexible LED tape to tape, UV cured connector (factory installed) |
| V120-RGBW-TTC12 | 120V RGBW 12in flexible LED tape to tape, UV cured connector (factory installed) |
| V120-RGBW-TTC18 | 120V RGBW 18in flexible LED tape to tape, UV cured connector (factory installed) |
| V120-RGBW-TTC24 | 120V RGBW 24in flexible LED tape to tape, UV cured connector (factory installed) |
| V120-RGBW-PCHW8 | 120V RGBW Hardwire 8ft. flexible LED tape to controller connector, UV cured (factory installed) |
| V120-RGBW-CHL-ECC | Endcap covers for PCHW8 and endcap (sold as pair) |
| V120-RGBW-CHL-ECCTT | Endcap covers for TTC series (sold as pair) |
| V120-3M-VHB-15 | 15' reel of 3M double sided mounting tape |
| V120-3M-VHB-36YD | 108' reel of 3M double sided mounting tape |
| GM-WPSC | Wet location 3-wire splice connector (included with SHWC-V120-RGBW) |
| GM-WPSC-RGBW | RGBW wet location 5-wire splice connector (included with SHWC-V120-RGBW) |

NOTE: Connectors do not fit into channel. To conceal connectors use V120-RGBW-CHL-ECC or V120-RGBW-CHL-ECCTT.

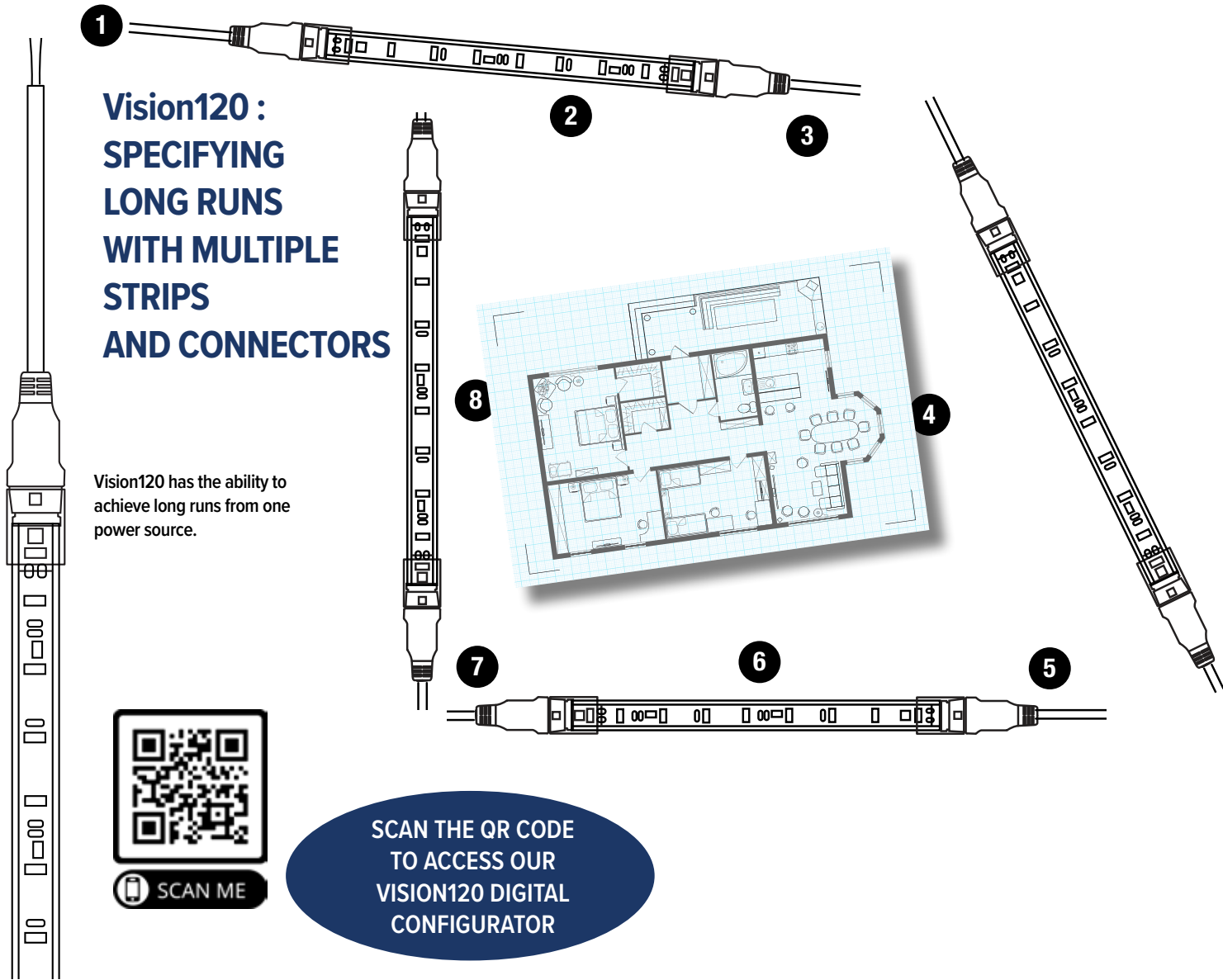


Vision120 : SPECIFYING LONG RUNS WITH MULTIPLE STRIPS AND CONNECTORS

Vision120 has the ability to achieve long runs from one power source.



SCAN THE QR CODE
TO ACCESS OUR
VISION120 DIGITAL
CONFIGURATOR



Standard Output - cuttable every 4"

| 1 Power Feed | 2 LED Strip 1 | 3 Connector 1 | 4 LED Strip 2 | 5 Connector 2 | 6 LED Strip 3 | 7 Connector 3 | 8 LED Strip 4 |
|--|--|--|--|--|--|--|--|
| V120-____ | V120-S0-____- | TTC-____ | V120-S0-____- | TTC-____ | V120-S0-____- | TTC-____ | V120-S0-__-__ |
| SPECIFY: V120-PC-4 4' Cord & Plug w/ Fuse Protection V120-PC-8 8' Cord & Plug w/ Fuse Protection V120-PCHW-8 8' Hardwire | SPECIFY: Color Temp. 27 - 2700K 30 - 3000K 40 - 4000K Colors RD - Red BL - Blue GR - Green AM - Amber Length: 4 INCH INCREMENTS | SPECIFY: 6 6" Connector 12 12" Connector 18 18" Connector 24 24" Connector 90L - LEFT 90" Connector 90R - RIGHT 90° Connector | SPECIFY: Color Temp. 27 - 2700K 30 - 3000K 40 - 4000K Colors RD - Red BL - Blue GR - Green AM - Amber Length: 4 INCH INCREMENTS | SPECIFY: 6 6" Connector 12 12" Connector 18 18" Connector 24 24" Connector 90L - LEFT 90" Connector 90R - RIGHT 90° Connector | SPECIFY: Color Temp. 27 - 2700K 30 - 3000K 40 - 4000K Colors RD - Red BL - Blue GR - Green AM - Amber Length: 4 INCH INCREMENTS | SPECIFY: 6 6" Connector 12 12" Connector 18 18" Connector 24 24" Connector 90L - LEFT 90" Connector 90R - RIGHT 90° Connector | SPECIFY: Color Temp. 27 - 2700K 30 - 3000K 40 - 4000K Colors RD - Red BL - Blue GR - Green AM - Amber Length: 4 INCH INCREMENTS |

Example:

| | | | | | | | |
|-----------|---------------------|--------|-------------------|---------|---------------------|--------|----------------|
| V120-PC-4 | V120-S0- 27 - 38'4" | TTC- 6 | V120-S0- 27 - 16' | TTC- 18 | V120-S0- 27 - 12'8" | TTC- 6 | V120-S0-27- 8" |
|-----------|---------------------|--------|-------------------|---------|---------------------|--------|----------------|

High Output - cuttable every 4”

| 1 Power Feed | 2 LED Strip 1 | 3 Connector 1 | 4 LED Strip 2 | 5 Connector 2 | 6 LED Strip 3 | 7 Connector 3 | 8 LED Strip 4 |
|---|--|--|--|--|--|--|--|
| V120-_____ | V120-H0-_____-_____ | TTC-_____ | V120-H0-_____-_____ | TTC-_____ | V120-H0-_____-_____ | TTC-_____ | V120-H0-_____-_____ |
| SPECIFY: V120-PC-4 4' Cord & Plug w/ Fuse Protection V120-PC-8 8' Cord & Plug w/ Fuse Protection V120-PCHW-8 8' Hardwire | SPECIFY: Color Temp. 27 - 2700K 30 - 3000K 40 - 4000K Length: 4 INCH INCREMENTS | SPECIFY: 6 6" Connector 12 12" Connector 18 18" Connector 24 24" Connector 90L - LEFT 90° Connector 90R - RIGHT 90° Connector | SPECIFY: Color Temp. 27 - 2700K 30 - 3000K 40 - 4000K Length: 4 INCH INCREMENTS | SPECIFY: 6 6" Connector 12 12" Connector 18 18" Connector 24 24" Connector 90L - LEFT 90° Connector 90R - RIGHT 90° Connector | SPECIFY: Color Temp. 27 - 2700K 30 - 3000K 40 - 4000K Length: 4 INCH INCREMENTS | SPECIFY: 6 6" Connector 12 12" Connector 18 18" Connector 24 24" Connector 90L - LEFT 90° Connector 90R - RIGHT 90° Connector | SPECIFY: Color Temp. 27 - 2700K 30 - 3000K 40 - 4000K Length: 4 INCH INCREMENTS |
| Example: | | | | | | | |
| V120-PC-4 | V120-H0-27 - 38'-4" | TTC-6 | V120-H0-27 - 16' | TTC-18 | V120-H0-27 - 12'-8" | TTC-6 | V120-H027 - 8' |

Super-High Output - cuttable every 4”

| 1 Power Feed | 2 LED Strip 1 | 3 Connector 1 | 4 LED Strip 2 | 5 Connector 2 | 6 LED Strip 3 | 7 Connector 3 | 8 LED Strip 4 |
|---|--|--|--|--|--|--|--|
| V120-_____ | V120-SH0-_____-_____ | TTC-_____ | V120-SH0-_____-_____ | TTC-_____ | V120-SH0-_____-_____ | TTC-_____ | V120-SH0-_____-_____ |
| SPECIFY: V120-PC-4 4' Cord & Plug w/ Fuse Protection V120-PC-8 8' Cord & Plug w/ Fuse Protection V120-PCHW-8 8' Hardwire | SPECIFY: Color Temp. 27 - 2700K 30 - 3000K 40 - 4000K Length: 4 INCH INCREMENTS | SPECIFY: 6 6" Connector 12 12" Connector 18 18" Connector 24 24" Connector 90L - LEFT 90° Connector 90R - RIGHT 90° Connector | SPECIFY: Color Temp. 27 - 2700K 30 - 3000K 40 - 4000K Length: 4 INCH INCREMENTS | SPECIFY: 6 6" Connector 12 12" Connector 18 18" Connector 24 24" Connector 90L - LEFT 90° Connector 90R - RIGHT 90° Connector | SPECIFY: Color Temp. 27 - 2700K 30 - 3000K 40 - 4000K Length: 4 INCH INCREMENTS | SPECIFY: 6 6" Connector 12 12" Connector 18 18" Connector 24 24" Connector 90L - LEFT 90° Connector 90R - RIGHT 90° Connector | SPECIFY: Color Temp. 27 - 2700K 30 - 3000K 40 - 4000K Length: 4 INCH INCREMENTS |
| Example: | | | | | | | |
| V120-PCHW-8 | V120-SH0-40 - 14' | TTC-12 | V120-SH0-40 - 16'-8" | TTC-6 | V120-SH0-40 - 12'-4" | TTC-6 | V120-SH040 - 14' |

RGBW - cuttable every 12”

| 1 Power Feed | 2 LED Strip 1 | 3 Connector 1 | 4 LED Strip 2 | 5 Connector 2 | 6 LED Strip 3 | 7 Connector 3 | 8 LED Strip 4 |
|--|---|---|---|---|---|---|---|
| V120-RGBW_____ | V120-RGBW-_____-_____ | TTC-_____ | V120-RGBW-_____-_____ | TTC-_____ | V120-RGBW-_____-_____ | TTC-_____ | V120-RGBW-_____-_____ |
| SPECIFY: V120-RGBW-PCHW-8 8' Hardwire | SPECIFY: Color Temp. RGBW Length: 12 INCH INCREMENTS | SPECIFY: 6 6" Connector 12 12" Connector 18 18" Connector 24 24" Connector | SPECIFY: Color Temp. RGBW Length: 12 INCH INCREMENTS | SPECIFY: 6 6" Connector 12 12" Connector 18 18" Connector 24 24" Connector | SPECIFY: Color Temp. RGBW Length: 12 INCH INCREMENTS | SPECIFY: 6 6" Connector 12 12" Connector 18 18" Connector 24 24" Connector | SPECIFY: Color Temp. RGBW Length: 12 INCH INCREMENTS |
| Example: | | | | | | | |
| V120-RGBW-PCHW-8 | V120-RGBW-20' | TTC-12 | V120-RGBW-28' | TTC-18 | V120-RGBW-15' | TTC-12 | V120-RGBW-8' |



LUXCONTROL WIFI SYSTEM AND LED CONTROLS



LUXCONTROL SMART WIFI SYSTEM

| | |
|--------------------------------|-----|
| 12V/24V WIFI CONTROLLERS | 98 |
| 120V WIFI CONTROLLERS | 99 |
| WIFI DIMMER, OUTLET, PLUG..... | 100 |



DMX DECODERS

| | |
|---------------------------|-----|
| 12V/24V DMX DECODER | 101 |
| 120V DMX DECODER..... | 102 |



RGBW REMOTE CONTROLLER

| | |
|------------------------------|-----|
| 24VDC HAND-HELD REMOTE | 103 |
|------------------------------|-----|



Smart Home Lighting WiFi Control System

RGBW, Tunable White, or Single Color Control
12V / 24V

Our 12V/24V controllers provide easy and reliable control of your lights via GM's LUXcontrol™ App. Connect your fixture to control dimming, set schedules, turn the lights ON and OFF or preset timers and scenes from the convenience of your smartphone or tablet.



- Input Voltage: 12VDC / 24VDC
- RGBW, CCT and single color control
- Easy installation
- Unlimited grouping
- WiFi Frequency: 2.4GHz required
- WiFi Standard: IEEE 802.11b/g/n
- FCC certification
- Android™ compatible
- iOS® compatible
- Works with Google Assistant™
- Works with Amazon Alexa™
- Recommended for indoor use or requires a NEMA box for outdoor use (by others)



ORDERING INFORMATION

| PRODUCT NO. | DESCRIPTION | PRODUCT COMPATIBILITY |
|-------------|---|---|
| SHWC | Smart 2.4 GHz WiFi Controller, Standard 12V/24V Low Voltage, 1-Channel / 2-Wire | LTR-P, LTR-S, LTR-E, NV24S-3W, NV24T-3W, PL24V, S12x12-SO, S12x12-HO, EDGE, SDP-3, SP-2, SPM, VTX, 12V or 24V Single Color LEDs |
| SHWC-CCT | Smart 2.4 GHz WiFi Controller, CCT 12V/24V Low Voltage, 2-Channel / 3-Wire | LTR-S-TUN, CHPL, CHDL, 24V Tunable White LEDs |
| SHWC-RGBW | Smart 2.4 GHz WiFi Controller, RGBW 12V/24V Low Voltage, 4-Channel / 5-Wire | LTR-S-RGBW, NV24S-4W, NV24T-4W, S12x12-RGBW, 24V RGBW Color LEDs |

Note: See product pages at gmlighting.net for specific usage details and requirements.

ACCESSORIES

| PRODUCT NO. | DESCRIPTION |
|---------------|--|
| SHWC-RGBW-RPT | Universal Smart Power Repeater |
| GM-WPSC | Universal Wet Location 3-wire splice connector |
| GM-WPSC-RGBW | Wet Location 5-wire RGBW splice connector |





120V Vision120 LED CONTROLLERS

Smart Home Lighting WiFi Control System

120V RGBW and
Single Color Control

Our 120VAC high voltage RGBW controller is exclusively designed to control our Vision120™ RGBW LED tape via GM's LUXcontrol™ App providing easy and reliable control of your tape lights.

- 120V
- RGBW and single color control
- Easy installation
- Unlimited grouping
- RF Frequency: 2.4GHz
- Android™ compatible
- iOS® compatible
- Works with Google Assistant™
- Works with Amazon Alexa™
- Recommended for outdoor use - IP65



ORDERING INFORMATION

| PRODUCT NO. | DESCRIPTION | PRODUCT COMPATIBILITY |
|----------------|---|--|
| SHWC-V120 | Smart Home 2.4 WiFi Controller, 120V High Voltage, IP65, 1-Channel / 2-Wire | V120-SO, V120-HO, V120-SHO, 120V Single Color LEDs |
| SHWC-V120-RGBW | Smart Home 2.4 WiFi Controller, RGBW 120V High Voltage, IP65, 4-Channel / 5-Wire, White 3000K | V120-RGBW, 120V RGBW Color LEDs |

Note: See product pages at gmlighting.net for specific usage details and requirements.

ACCESSORIES

| PRODUCT NO. | DESCRIPTION |
|--------------|--|
| GM-WPSC | Universal Wet Location 3-wire splice connector |
| GM-WPSC-RGBW | Wet Location 5-wire RGBW splice connector |

**WORKS WITH
VISION120
120V LED TAPE
PAGE 87**





Smart Home Lighting WiFi Control System

Dimmer, Outlet and Plug

Energy Saving Performance
and Wireless Control with
GM's LUXcontrol™ App



Smart Home WiFi dimmer, outlet and plug can be controlled from anywhere with GM's LUXcontrol™ App. Create customized schedules, set timers and turn your devices ON/OFF from the comfort of your mobile phone or tablet.

| PRODUCT NO. | DESCRIPTION |
|-------------|---|
| SHWD | Smart Home 2.4 WiFi Dimmer, 120V, White |
| SHWO | Smart Home 2.4 WiFi Outlet, 120V, White, 2x USB ports |
| SHWP | Smart Home 2.4 WiFi Plug 120V, White |

THE POWER OF RGBW

RGBW LED tape light consists of red, green, blue and single color high brightness white LEDs. RGBW is able to create a wide range of colors by mixing the lights through intensity, hue and combination. The color rendering index can be up to 95 CRI making it a perfect solution for applications where colorful and high quality lighting is needed. The 4-in-1 RGBW LED chips can create a wide range of unique shades including not only color but also a pure white tone.

GM Lightings' RGBW LED tape is available in 24V and 120V. Each series is matched with a custom controller that can be used to change the brightness, color, dimming and light intensity.

24V LTR-S-RGBW - page 40

24V NeoVision RGBW - page 80

120V Vision120 RGBW - page 92

12V/24V 5-Channel RGBW DMX Decoder and Wall Controller



DECODER

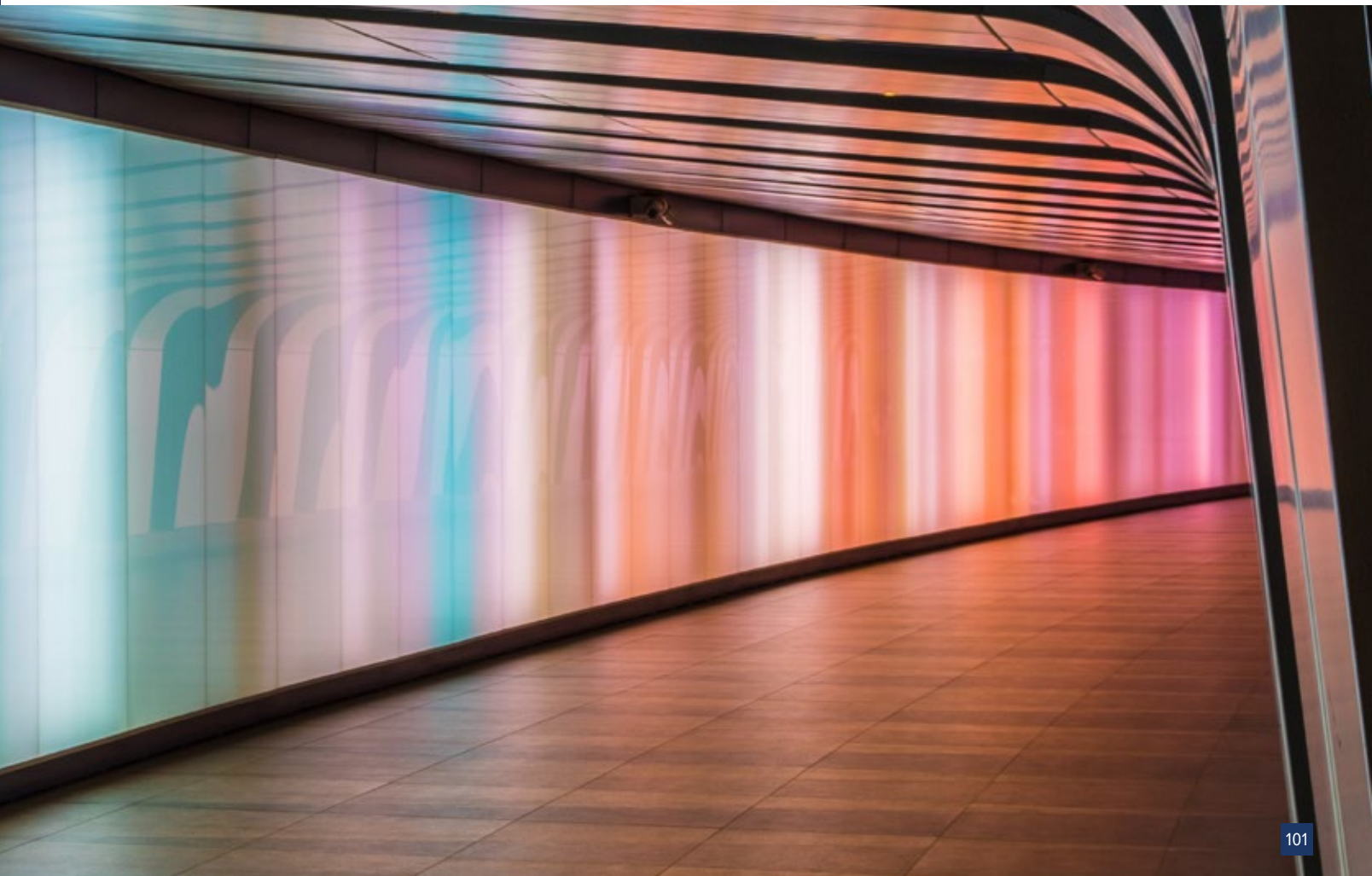
- DMX995 Socket: XLR-3, RJ45, Green Terminal
- Dimming Range: 100% to 1% dimming
- 5-channels
- For 12V/24V LED Tape
- Works with Single Color, RGBW and Tunable White
- Self-testing
- DMX512/RDM input signal

CONTROLLER

- Control 3 zones
- Thousands of color options
- 4-channels: Red, Green, Blue, White
- 100% to 1% dimming
- ON/OFF control
- Touch sensitive
- 10 preset modes
- Fits standard junction box



| Product No. | Description | Product Compatibility |
|-------------|---|--|
| DMX-LT-995 | DMX995 Decoder 12/24VDC 6A x 5CH 30A | LTR-S-RGBW, NV24S-4W, NV24T-4W, S12x12-RGBW, 24V RGBW Color LEDs |
| RGBW-DMX-WC | DMX512 Controller | |





Vision120 DMX Decoder 120V 4-Channels

DMX decoder allows you to change and modify your LED installation into lighting sequences and gain independent control between sections with 100% to 1% dimming and other lighting effects.



DMX DECODER

- 120VAC
- 100% to 1% dimming
- 4-channels: Red, Green, Blue, White
- Current Load: Max. 6A
- Max Output Power: 720W total (180W per channel)
- User-friendly digital display
- DMX address settable from 1 to 512
- Works with any DMX system
- Self-testing
- Wet location - IP67
- Works with RGBW tape including Vision120 RGBW
- FCC, ETL, CE, RoHS, cRUus

DMX REMOTE CONTROLLER

- Touch sensitive
- 10 preset modes
- Thousands of color options
- 4-channels: Red, Green, Blue, White
- Control up to 3 zones
- Dimming / Brightness / ON/OFF control options
- Fits standard junction box

ORDERING INFORMATION

| PRODUCT NO. | DESCRIPTION |
|---------------|------------------------------------|
| V120-RGBW-DMX | V120RGBW DMX Decoder 1.5A x 4CH 6A |
| RGBW-DMX-WC | RGBW DMX512 Wall Controller |

ACCESSORIES

| PRODUCT NO. | DESCRIPTION |
|-------------|------------------------|
| SJTW-2W | SJTW-2W wire / per ft. |
| SJTW-3W | SJTW-3W wire / per ft. |
| SJTW-5W | SJTW-5W wire / per ft. |



LTR-S SERIES 24VDC RGBW COLOR CHANGING TAPE CONTROLLER AND HAND-HELD REMOTE

RGBW is the next generation of color changing effects that adds the pulsating colors of a nightclub, the unforgettable vibe in themed environments, and dazzling outdoor displays around water or architectural constructs - with the added element of true white 3000K. This controller/amp and hand held unit enables a limitless variety of color effects and patterns.



RGBW CONNECTORS SEE PAGE 50

RGBW-WP IS CUT AND CAP ONLY

FOR A COMPLETE LIST OF 24VDC NON-DIMMABLE ELECTRONIC POWER SUPPLIES SEE PAGE 196

RGBW-RP REPEATER



KEY FEATURES

- Remote wall mounted bracket included
- 433 Hz. RF wireless
- Energy saving sleep mode for remote battery
- 5 year warranty

COLOR EFFECTS

- Static Red, Green, Blue, Yellow, Purple, Cyan and 3000K White
- 3-Color Skipping
- 7-Color Skipping
- 3-Color Smooth
- Full Color Smooth
- 50 levels of brightness and speed adjustment

ORDERING INFORMATION

| Cat. No. | Description | Product Compatibility |
|----------|---|--|
| RGBW-RWC | RGBW controller/amp with battery powered remote | LTR-S-RGBW, NV24S-4W, NV24T-4W, S12x12-RGBW, 24V RGBW Color LEDs |
| RGBW-RP | RGBW repeater | |

Complete Your Installation

LED Tape Mounting Channels, Lens and Accessories 55
 Electronic Non-Dimmable Power Supplies 196
 GM Lighting Wire..... 50



ChromaDim Tunable White Control



CHROMADIM TUNABLE WHITE
SYSTEM.....107



CHROMADIM TUNABLE WHITE
LED TAPE..... 109



CHROMADIM TUNABLE WHITE
LED PUCK LIGHT 110



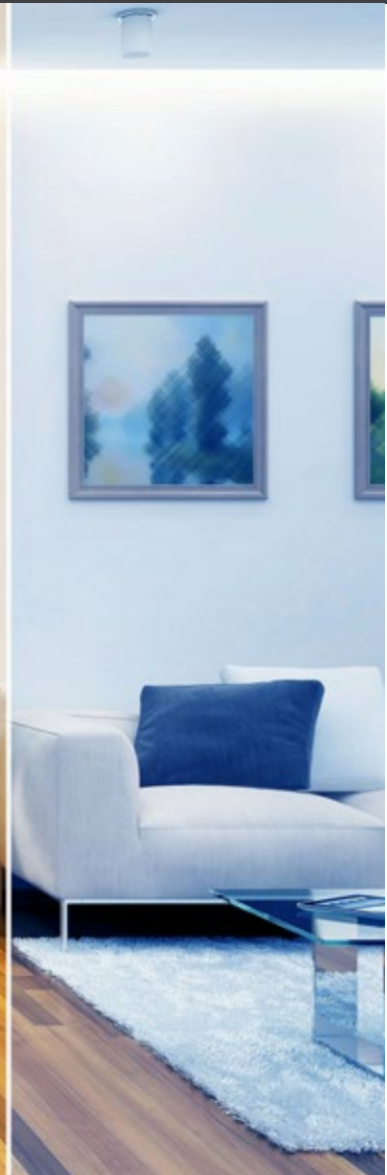
CHROMADIM TUNABLE WHITE
LED DOWNLIGHT..... 111





WHY TUNABLE WHITE LIGHT?

More and more architects and lighting designers are understanding the benefits of lighting for our health and well-being. Studies show that lighting has a major influence on our mood and productivity. With Tunable White LED lighting, you can adjust the color temperature from warm-white to cool-white to enhance the ambiance, simulate daylight, support the human circadian rhythm system or make spaces more inviting. The color temperature and brightness can be tailored according to your needs or mood.



WHAT IS CHROMADIM™?



ChromaDim is a Tunable White & Dimming Lighting Control System. The wall controller and driver pair automatically through the RF signal when the light is switched on. ChromaDim is a simple and cost-effective solution for GM Lighting's Tunable White LED Tape, Puck Lights and Downlights. The system allows you to control color tuning and dimming via a single wall switch.

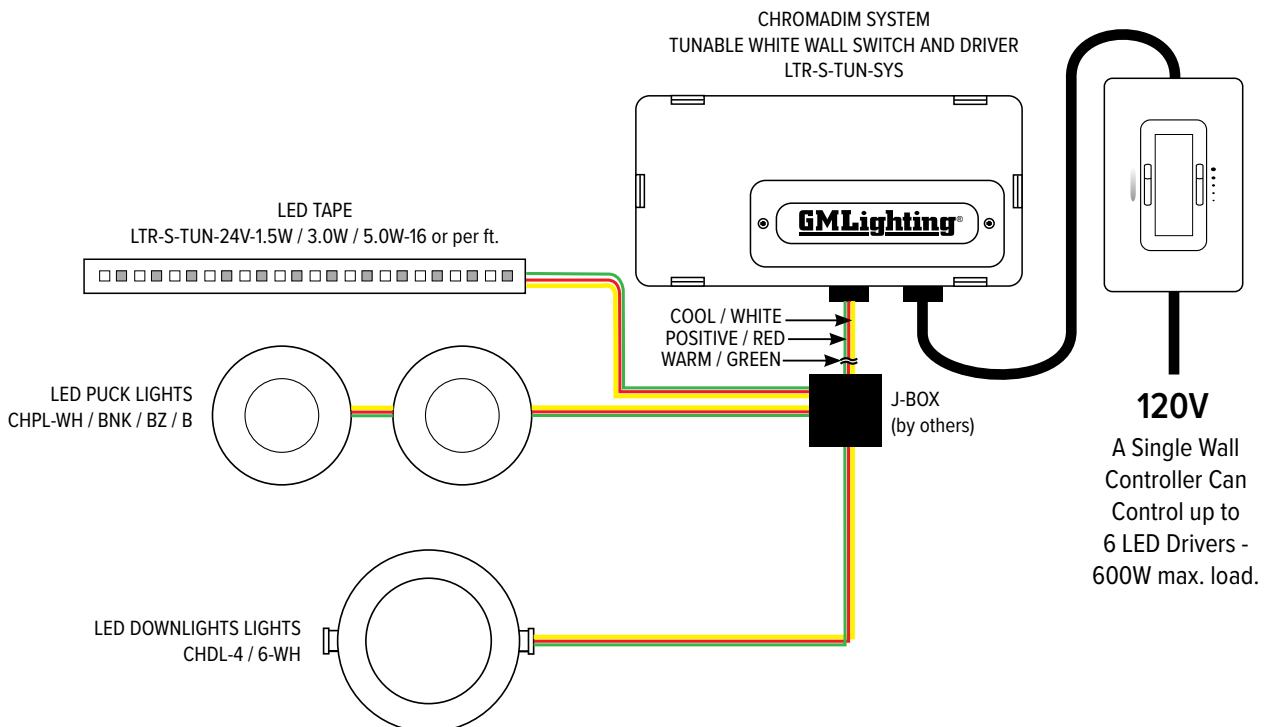
- Synergistic Wall Controller and Driver
- Works in sync with GM's 24VDC Tunable White LED Tape, Puck Lights and Downlights
- Dims down to 1%
- Simple Installation w/ Automatic RF Pairing for Color Tuning
- 120VAC Wall Controller with no Battery Required fits US Standard Gang Box
- Flicker-Free Soft Dimming Control
- CCT Adjustment from 2400K to 5000K
- UL Listed



ORDERING INFORMATION

| Model | Description |
|-------------------|---|
| LTR-S-TUN-SYS | Tunable White Lighting System; Wall Controller + Driver |
| LTR-S-TUN-24V-90W | 90W 24V Tunable White Driver, Driver Only |
| LTR-S-TUN-SW | 24V ChromaDim Tunable White Wall Switch Only |

For compatible product information, see next pages.





24
VOLT



90+
CRI

CLASS
2



5 Yr.
WARRANTY



LTR-S

Tunable White LED Tape

The LTR-S-TUN-24V Tunable White LED Tape enables light to be 'fine tuned' over a spectrum of white color temperatures, therefore, allowing subtle to stark ambiance changes to match the mood, the event, or the subject illuminated. Our Tunable White LED Tape can be adjusted from 2400K to 5000K.

KEY FEATURES:

- 24VDC
- 1.5W/ft., 3.0W/ft. and 5W/ft.
- 90+ CRI
- 2400K to 5000K
- Dry location
- IP20
- Premium diodes
- 120 LED's/meter (36LEDs/ft.)
- 120° viewing angle
- Dimmable
- Controlled by LUXcontrol or ChromaDim
- Cuttable every 2"
- 3M adhesive back
- 48" of lead affixed at start of reel
- Max. run: 1.5W and 3W=32'-8" 5.0W=16'-4"
- Custom lengths available consult factory
- ETL listed
- 5 year warranty when used with GM power supply



Special Tape Product No. Example

LTR-S - TUN - 24V - X.XW - 16

SERIES PREFIX
(S = SPEC)

TYPE

VOLTAGE

WATTS / FOOT
1.5W
3.0W
5.0W

REEL LENGTH
16 = 16'-4"
CUSTOM CUT
FEET-INCHES
(CUTS MADE IN
2" INCREMENTS)

TITLE 24 COMPLIES WITH TITLE 24 WHEN USED WITH SPECIFIC DRIVERS. CONSULT FACTORY.

FOR PROPER THERMAL MANAGEMENT, MOUNT THIS PRODUCT IN CHANNEL (RECOMMENDED FOR 5W)

ORDERING INFORMATION

| Product No. | Output | Wattage per foot | Type | Length | Lumens per foot | CRI | Color Temp. | Max. Run |
|------------------------|--------|------------------|------|-------------|-----------------|-----|-------------|----------|
| LTR-S-TUN-24V-1.5W-16 | 24VDC | 1.5W | TUN | 16'-4" / 5M | 162 (3500K) | 90+ | 2400K-5000K | 32'-8" |
| LTR-S-TUN-24V-1.5W-100 | 24VDC | 1.5W | TUN | 16'-4" / 5M | 162 (3500K) | 90+ | 2400K-5000K | 32'-8" |
| LTR-S-TUN-24V-1.5W-FT | 24VDC | 1.5W | TUN | 16'-4" / 5M | 162 (3500K) | 90+ | 2400K-5000K | 32'-8" |
| LTR-S-TUN-24V-3.0W-16 | 24VDC | 3.0W | TUN | 16'-4" / 5M | 267 (3500K) | 90+ | 2400K-5000K | 32'-8" |
| LTR-S-TUN-24V-3.0W-100 | 24VDC | 3.0W | TUN | 16'-4" / 5M | 267 (3500K) | 90+ | 2400K-5000K | 32'-8" |
| LTR-S-TUN-24V-3.0W-FT | 24VDC | 3.0W | TUN | 16'-4" / 5M | 267 (3500K) | 90+ | 2400K-5000K | 32'-8" |
| LTR-S-TUN-24V-5.0W-16 | 24VDC | 5.0W | TUN | 16'-4" / 5M | 415 (3500K) | 90+ | 2400K-5000K | 16'-4" |
| LTR-S-TUN-24V-5.0W-100 | 24VDC | 5.0W | TUN | 16'-4" / 5M | 415 (3500K) | 90+ | 2400K-5000K | 16'-4" |
| LTR-S-TUN-24V-5.0W-FT | 24VDC | 5.0W | TUN | 16'-4" / 5M | 415 (3500K) | 90+ | 2400K-5000K | 16'-4" |

16'-4" reel includes 48" lead affixed to tape.

CONNECTORS

| Connector Product No. | Description |
|-----------------------|--|
| LTR-S-TUN-SP | SPLICE CONNECTOR |
| LTR-S-TUN-TPC60 | 60" ADJUSTABLE TAPE TO POWER CONNECTOR |
| LTR-S-TUN-TTC3 | 3" ADJUSTABLE TAPE TO TAPE CONNECTOR |
| LTR-S-TUN-TTC12 | 12" ADJUSTABLE TAPE TO TAPE CONNECTOR |
| LTR-S-TUN-TTC24 | 24" ADJUSTABLE TAPE TO TAPE CONNECTOR |
| LTR-S-TUN-TTC36 | 36" ADJUSTABLE TAPE TO TAPE CONNECTOR |
| LTR-S-TUN-TTC60 | 60" ADJUSTABLE TAPE TO TAPE CONNECTOR |

Connectors ordered separately.



LTR-S TAPE DIAGRAMS: PAGE 45
COMPLETE LIST OF CHANNELS: PAGE 55
POWER SUPPLIES: PAGE 193

CHROMADIM TUNABLE WHITE LED PUCK LIGHT



PRODUCT DESCRIPTION

A surface or recess mount 24VDC, 3W high power tunable LED puck that is available in white, black, bronze or brushed nickel. All high-grade aluminum for superior heat dissipation. Frosted lens delivers even light distribution.

FEATURES

- 24VDC operation
- 3.0W
- 225lm (in 3500K)
- 90+ CRI
- Adjustable color temp. from 2400K to 5000K
- Multiple finishes: white, black, bronze, brushed nickel
- 112° beam angle
- Dimmable
- Can be surface or recess mounted
- ETL certification



ORDERING INFORMATION

| Model | Description |
|---------|---|
| CHPL-WH | 24V 3W Tunable White LED Puck Light, White |
| CHPL-B | 24V 3W Tunable White LED Puck Light, Black |
| CHPL-BN | 24V 3W Tunable White LED Puck Light, Brushed Nickel |
| CHPL-BZ | 24V 3W Tunable White LED Puck Light, Bronze |

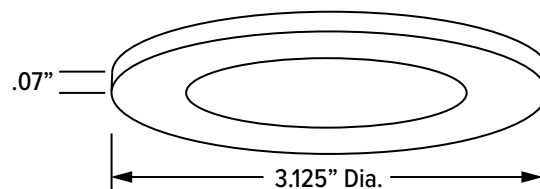
Includes 48" lead

SURFACE MOUNT



RECESS MOUNT

Cut 2-7/8" dia hole.
Requires 0.57" deep minimum recess
Remove outer ring for recessed mount



CHROMADIM TUNABLE WHITE LED DOWNLIGHTS

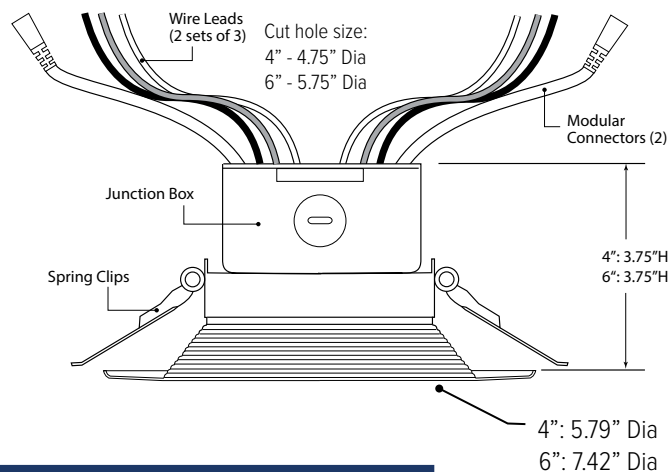


PRODUCT DESCRIPTION

The ChromaDim downlight is an easy to install recessed mount luminaire with recessed baffle and an integral junction box. These 4" and 6" downlights feature superior optics and Energy Star rating in a streamlined, shallow mount design.

FEATURES

- Available in 4" and 6" aperture
- 10W (4") and 15W (6")
- Dimmable
- 100° beam angle
- Adjustable color temp. from 2400K to 5000K
- Built-in J Box for easy installation
- Quick connect or hard wiring options
- 90+ CRI
- 600lm (4") and 1000lm (6")
- White finish
- ETL certification for wet location



ORDERING INFORMATION

| Model | Description |
|-----------|--|
| CHDL-4-WH | 24V 10W Tunable White LED Downlight; White |
| CHDL-6-WH | 24V 15W Tunable White LED Downlight; White |

ACCESSORIES

| Model | Description |
|--------------|---|
| CHDL-EXT5 | 5' Quick connect cord for ChromaDim Downlights |
| CHDL-EXT10 | 10' Quick connect cord for ChromaDim Downlights |
| CHDL-EXT20 | 20' Quick connect cord for ChromaDim Downlights |
| CHDL-EXTPF20 | 20' Quick connect power feed for ChromaDim Downlights |
| CHDL-UNV-NCP | New construction plate for ChromaDim Downlights |



CUT-OUT DIMENSIONS:
CHDL-4 4-3/4" DIA.
CHDL-6 5-3/4" DIA.

CHDL-UNV-NCP
Mounting Plate

**QUICK CONNECT
OR HARD WIRING FOR
EASY INSTALLATION**







Undercabinet Lighting

TUNABLETASK™ 120V
SELECTABLE KELVIN 114

LUMENTASK™ 120V
LED 116



TUNABLETASK™ 120V SELECTABLE KELVIN UNDERCABINET LIGHTING



16" TunableTask in White

120 VOLT

DAMP LOCATION

90+ CRI

27K 30K 40K

TITLE 24

5 Yr. WARRANTY

PRODUCT DESCRIPTION

Able to achieve color temps. of 2700K, 3000K and 4000K in a single fixture, this dimmable, adjustable Kelvin undercabinet fixture features excellent color rendering in a powder coated aluminum housing with polycarbonate lens. Low profile and easy to mount in 8", 16", 24" and 32" lengths.

Dimensioned drawings - see page 117

KEY FEATURES

- Under 1" mounting depth
- Screw slots for easy wiring access
- Rated at 6W (8"), 10W (16"), 14W (24") and 16W (32")
- Selectable between 2700K, 3000K and 4000K
- Supplied with Wago® Connectors for easy connection
- Includes captive mounting screws
- Powder coat aluminum housing
- Dimmable (Triac)
- 90+ CRI
- Units join securely together with connectors (see next page)
- Available in 8", 16", 24" and 32" lengths
- Energy Star listed
- Title 24
- 5 year warranty



ORDERING INFORMATION

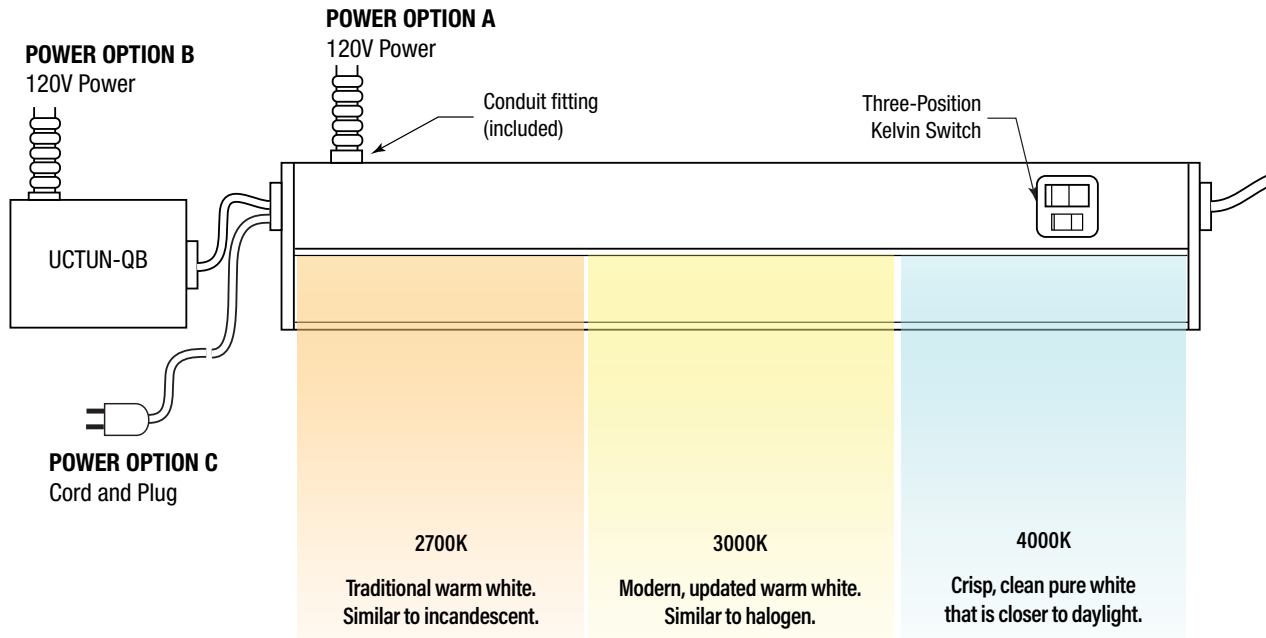
| Catalog No. | Length | Wattage | Lumens | CRI | Finish |
|-------------|--------------|---------|--------|-----|--------|
| UCTUN-8-WH | 8" / 203mm | 6W | 400 | 90+ | White |
| UCTUN-8-BZ | 8" / 203mm | 6W | 400 | 90+ | Bronze |
| UCTUN-16-WH | 16" / 406mm | 10W | 850 | 90+ | White |
| UCTUN-16-BZ | 16" / 406mm | 10W | 850 | 90+ | Bronze |
| UCTUN-24-WH | 24" / 610mm | 14W | 1000 | 90+ | White |
| UCTUN-24-BZ | 24" / 610mm | 14W | 1000 | 90+ | Bronze |
| UCTUN-32-WH | 32" / 1100mm | 16W | 1150 | 90+ | White |
| UCTUN-32-BZ | 32" / 1100mm | 16W | 1150 | 90+ | Bronze |

Each fixture includes (1) UCTUN-EZ-1 connector and (1) conduit fitting and captive mounting screws

PRODUCT NOTES:

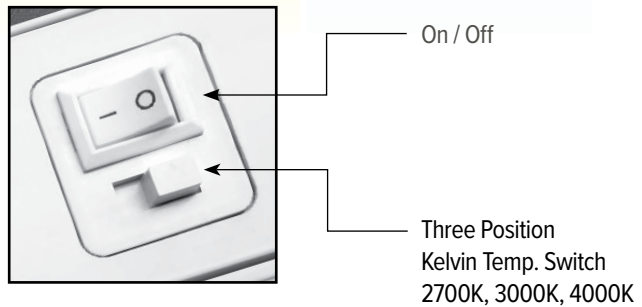
Installation instructions and spec sheet available for download.
View this product on www.gmlighting.net

COLOR TEMP GUIDE AND CONNECTORS



AMBIANCE ADJUSTMENT

Selectable white lighting has become one of the most popular trends in lighting design. In residential kitchen lighting, switchable white undercabinet lighting enables a variety of color renditions that effect ambiance and mood.



CONNECTORS AND ACCESSORIES

| Catalog No. | Description |
|--------------------|---|
| UCTUN-CP6-WH (B) | Plug-in 5' power cord - white or black (BL) |
| UCTUN-EZ-1-WH (B) | Fixture to fixture connector - white |
| UCTUN-EZ-6-WH (B) | 6" Flexible fixture to fixture connector - white or black (BL) |
| UCTUN-EZ-12-WH (B) | 12" Flexible fixture to fixture connector - white or black (BL) |
| UCTUN-QB-WH (B) | Quick-Box wiring junction box with EZ connectors and knock-outs - white or black (BL) |



UCTUN-QB-WH (B)
120V Quick Box wiring junction with UCTUN-EZ connector, knock-outs and on-off switch. 6-5/16" x 3-3/4" x 1-1/8"

LUMENTASK™ 120V LED UNDERCABINET / TASK LIGHTING

120 VOLT

DRY LOCATION

90+ CRI

5 Yr. WARRANTY

ETL Intertek



PRODUCT DESCRIPTION

The industry standard for LED undercabinet lighting. GM Lighting's LumenTask™ LED undercabinet fixtures has proven itself over many years of use in residential and commercial kitchens, offering an attractive and low maintenance, high 90+ CRI performance, and dimmable fixture.

Dimensioned drawings - see page 117

KEY FEATURES

- Rated at 6.4W (8"), 11.2W (16"), 17.2W (24") and 23.3W (32")
- 3000K
- Polycarbonate lens for better durability and diode-free lighting
- Dimmable with standard dimmers
- 90+ CRI
- End caps feature standard / Wiremold™ combo
- Units join securely together with connectors (see page 100)
- Available in 8", 16", 24" and 32" lengths
- Energy Star listed
- 5 year warranty

ORDERING INFORMATION

| Catalog No. | Length | Wattage | Lumens | CRI | Color Temp | Finish |
|--------------------|--------------|---------|--------|-----|------------|--------|
| UCLED-8-WH-DIM-30 | 8" / 203mm | 6.4W | 392 | 90+ | 3000K | White |
| UCLED-8-BZ-DIM-30 | 8" / 203mm | 6.4W | 392 | 90+ | 3000K | Bronze |
| UCLED-16-WH-DIM-30 | 16" / 406mm | 11.2W | 700 | 90+ | 3000K | White |
| UCLED-16-BZ-DIM-30 | 16" / 406mm | 11.2W | 700 | 90+ | 3000K | Bronze |
| UCLED-24-WH-DIM-30 | 24" / 610mm | 17.2W | 1131 | 90+ | 3000K | White |
| UCLED-24-BZ-DIM-30 | 24" / 610mm | 17.2W | 1131 | 90+ | 3000K | Bronze |
| UCLED-32-WH-DIM-30 | 32" / 1016mm | 23.3W | 1347 | 90+ | 3000K | White |
| UCLED-32-BZ-DIM-30 | 32" / 1016mm | 23.3W | 1347 | 90+ | 3000K | Bronze |

ACCESSORIES

| Catalog No. | Description |
|-------------|---|
| JB-1 | LumenTask Junction Box for Hardwire Installations |

| Catalog No. | Description |
|-------------|--|
| EZ-1 | Connects 2 LumenTask fixtures directly together |
| EZ-3 | 3" flexible LumenTask fixture to fixture connector |
| EZ-6 | 6" flexible LumenTask fixture to fixture connector |
| EZ-12 | 12" flexible LumenTask fixture to fixture connector |
| SLJR-HSW | Quick-Box junction box for hardwire installation Must be used with EZ Connector |
| CP-6 | 72" cord and plug with modular connector |

PRODUCT NOTES:

Installation instructions and spec sheet available for download.

View this product on www.gmlighting.net

LUMENTASK 120V LED UNDERCABINET SPECIFICATIONS

One piece, low profile (1-3/8" height), 18 gauge CRS housing with diecast ends for stability

Available in 8", 16", 24" and 32" lengths

Open Wide wiring compartment

Polycarbonate lens for better durability and diode-free lighting

On-Off switch. Dimmable with standard dimmer.

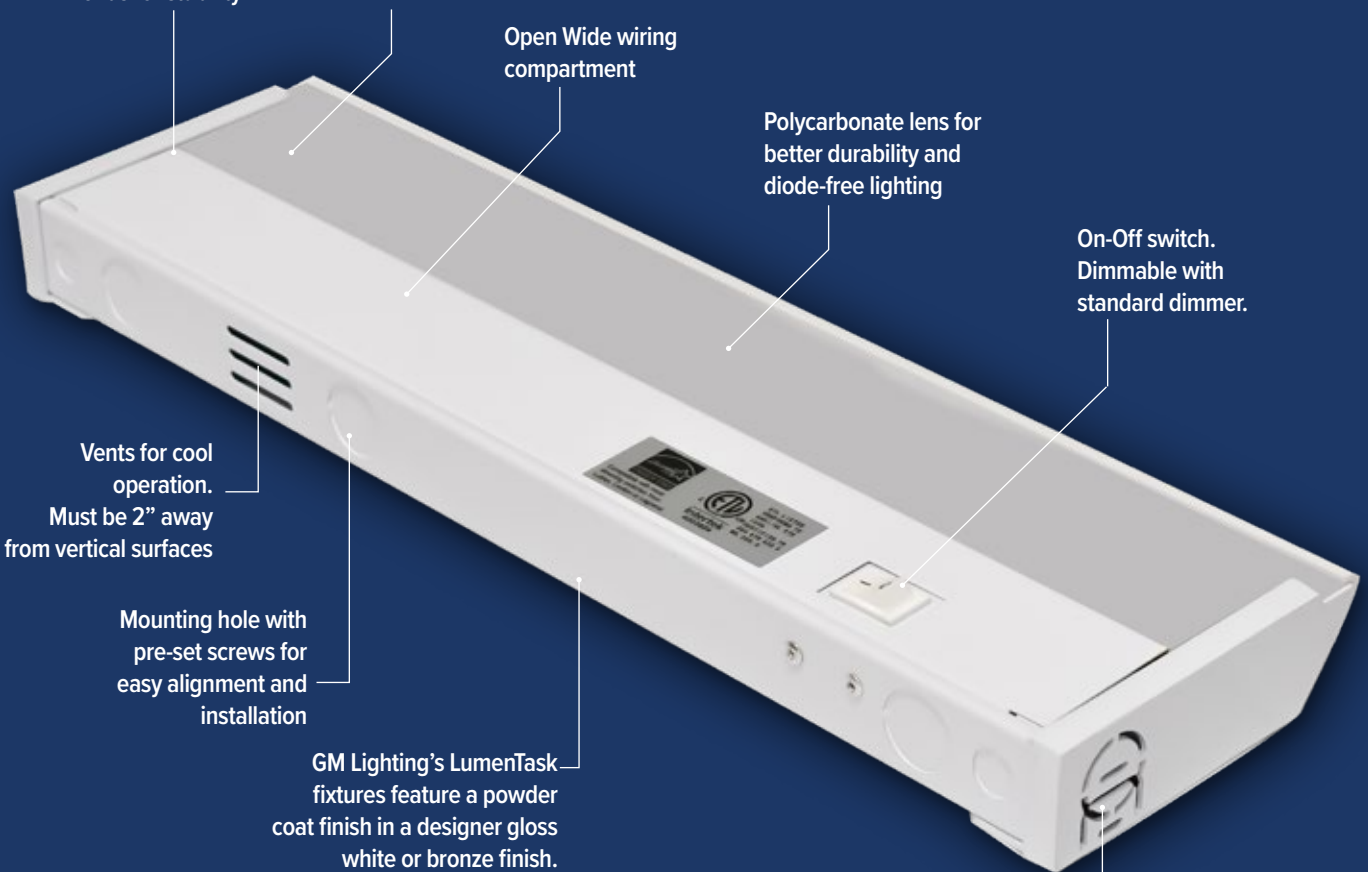
Vents for cool operation. Must be 2" away from vertical surfaces

Mounting hole with pre-set screws for easy alignment and installation

GM Lighting's LumenTask fixtures feature a powder coat finish in a designer gloss white or bronze finish.

Knock-outs on back and end caps. Wire Mold™ knock-outs on end caps only. Look for optional connectors for multiple unit connection on page 116

Die cast end caps

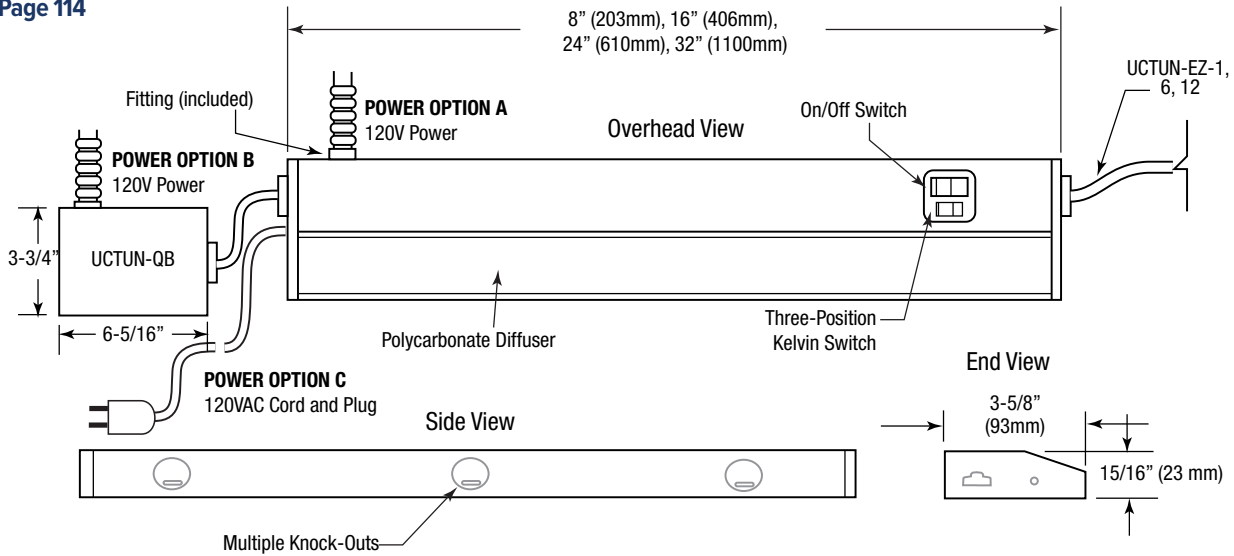




UNDERCABINET FIXTURE DIAGRAMS

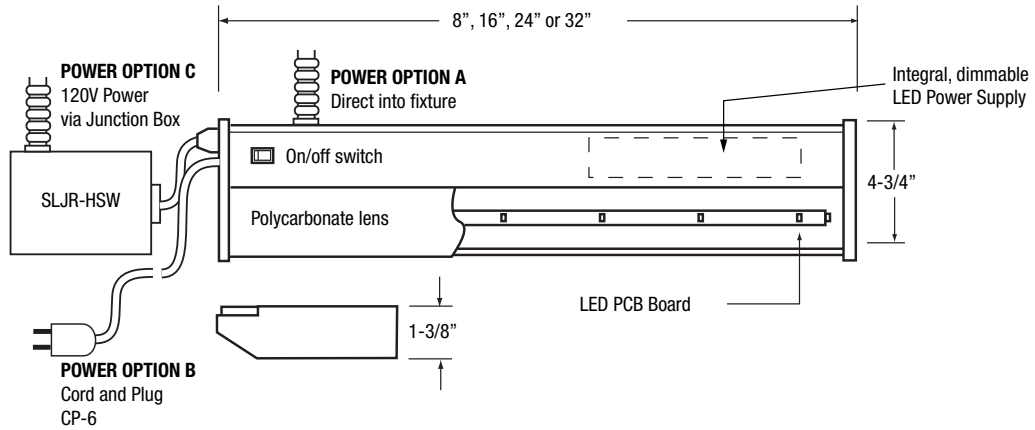
TUNABLETASK™ Series

Page 114



LUMENTASK™ LED Series

Page 116



UNDERCABINET FIXTURE COMPARATIVE ANALYSIS

| LightBar Series | Voltage | Wattage | Lengths (Actual) | Mounting Depth | CRI | Lumens per fixture | Color Temps |
|-----------------|---------|---------|------------------|----------------|-----|--------------------|---------------------|
| TUNABLETASK | 120V | 6W | 8" | 15/16" | 90+ | 8" - 400 | 2700K, 3000K, 4000K |
| | | 10W | 16" | | | 16" - 850 | |
| | | 14W | 24" | | | 24" - 1000 | |
| | | 16W | 32" | | | 32" - 1150 | |
| LUMENTASK LED | 120V | 6.4W | 8" | 1-3/8" | 90+ | 8" - 392 | 3000K |
| | | 11.2W | 16" | | | 16" - 700 | |
| | | 17.2W | 24" | | | 24" - 1131 | |
| | | 23.3W | 32" | | | 32" - 1347 | |

Specifications are subject to change without notice. Please refer to website (www.gmlighting.net) for the latest specification info




12VDC / 24VDC / 120V Lightbars




24VDC SLIMEDGE™ LIGHTBAR
SHOWN WITH OPTIONAL
POWER MODULE
122




24VDC LARC6 MODULAR
ADJUSTABLE LIGHTBAR
127



120V COVALINEAR SWITCHABLE
LINEAR LED LIGHTBAR
128



12VDC LTAB-N ALUMINUM
HIGH OUTPUT WET
LOCATION LED LIGHTBAR
130



12VDC LTB RIGID HIGH
OUTPUT LED LINEAR
LIGHTBAR
131

SLIMEDGE™ 24VDC MODULAR LIGHTBAR

24 VOLT

DRY LOCATION

90+ CRI

CLASS 2

5 Yr. WARRANTY

UL C US

SlimEdge in White with EDGE-TD-W Power Switch Module



PRODUCT DESCRIPTION

Slim Edge™ is a 24VDC architectural LED linear thin lightbar that is the next evolution in undercabinet lighting. Using high-tech Edgelit technology - Slim Edge creates an even luminance while producing a gentle, soft light. 90+ CRI optics that present no diode imaging on polished surfaces. Available in 8", 16", 24" or 32" in white or bronze. Utilizing the wide array of connectors, Slim Edge can be configured to adapt to virtually any application. Can be used with DPPS power supply - see next page.

KEY FEATURES

- Rated at 3W (8"), 6W (16"), 10W (24") and 13W (32")
- 2700K and 3000K
- Edgelit technology - no diode imaging
- Dimmable
- Class 2
- Maximum run: 96W
- Mounting clips and screws included
- Units join securely together with modular connectors (see next page)
- Available in 8", 16", 24" and 32" lengths
- 5 year warranty when used with GM power supply

ORDERING INFORMATION

| Catalog No. | Length | Wattage | Lumens | Color Temp. | Finish |
|---------------|--------------|-----------|-----------|-------------|--------|
| EDGE-8-27-W | 8" / 203mm | 3W / bar | 150 / bar | 2700K | White |
| EDGE-16-27-W | 16" / 406mm | 6W / bar | 325 / bar | 2700K | White |
| EDGE-24-27-W | 24" / 610mm | 10W / bar | 550 / bar | 2700K | White |
| EDGE-32-27-W | 32" / 1100mm | 13W / bar | 750 / bar | 2700K | White |
| EDGE-8-27-BZ | 8" / 203mm | 3W / bar | 150 / bar | 2700K | Bronze |
| EDGE-16-27-BZ | 16" / 406mm | 6W / bar | 325 / bar | 2700K | Bronze |
| EDGE-24-27-BZ | 24" / 610mm | 10W / bar | 550 / bar | 2700K | Bronze |
| EDGE-32-27-BZ | 32" / 1100mm | 13W / bar | 750 / bar | 2700K | Bronze |
| EDGE-8-30-W | 8" / 203mm | 3W / bar | 150 / bar | 3000K | White |
| EDGE-16-30-W | 16" / 406mm | 6W / bar | 325 / bar | 3000K | White |
| EDGE-24-30-W | 24" / 610mm | 10W / bar | 550 / bar | 3000K | White |
| EDGE-32-30-W | 32" / 1100mm | 13W / bar | 750 / bar | 3000K | White |
| EDGE-8-30-BZ | 8" / 203mm | 3W / bar | 150 / bar | 3000K | Bronze |
| EDGE-16-30-BZ | 16" / 406mm | 6W / bar | 325 / bar | 3000K | Bronze |
| EDGE-24-30-BZ | 24" / 610mm | 10W / bar | 550 / bar | 3000K | Bronze |
| EDGE-32-30-BZ | 32" / 1100mm | 13W / bar | 750 / bar | 3000K | Bronze |

Includes (2) mounting clips with screws, (1) lightbar to power supply connector (GMC-PS-24) and (1) rigid bar to bar connector (EDGE-BB-1) included with each lightbar. NOTE: White bar is supplied with white connectors. Bronze bar is supplied with black connectors.

PRODUCT NOTES:

Installation instructions and spec sheet available for download.
View this product on www.gmlighting.net

SLIMEDGE™ 24VDC MODULAR LIGHTBAR CONNECTORS AND ACCESSORIES

SlimEdge in Bronze



CONNECTORS AND ACCESSORIES (Available in white or black)

| Catalog No. | Description |
|------------------|--|
| DPPS-24W-24V | 24V - 24W - Class 2 power supply with cord and plug |
| DPPS-36-24V | 24V - 36W - Class 2 power supply with cord and plug |
| DPSP-4-W(B) | 4" port splitter - White or Black |
| DPSP-8-W(B) | 8" port splitter - White or Black |
| EDGE-AB-W | SlimEdge adjustable bracket |
| EDGE-BB-1-B | SlimEdge to SlimEdge bar to bar connector - Black |
| EDGE-BB-1-W | SlimEdge to SlimEdge bar to bar connector - White |
| EDGE-90-B | SlimEdge to SlimEdge 90° connector - Black |
| EDGE-90-W | SlimEdge to SlimEdge 90° connector - White |
| EDGE-IC-B | SlimEdge to SlimEdge inside corner connector - Black |
| EDGE-IC-W | SlimEdge to SlimEdge inside corner connector - White |
| EDGE-TD-B | SlimEdge touch dimmer - Black |
| EDGE-TD-W | SlimEdge touch dimmer - White |
| EDGE-MS-B | SlimEdge mechanical switch - on/off - Black |
| EDGE-MS-W | SlimEdge mechanical switch - on/off - White |
| GMC-MF-24-W(B) | 24" male to female cable connector - White or Black |
| GMC-MF-39-W(B) | 39" male to female cable connector - White or Black |
| GMC-MF-60-W(B) | 60" male to female cable connector - White or Black |
| GMC-MM-3-W(B) | 3" male to male cable connector - White or Black |
| GMC-MM-6-W(B) | 6" male to male cable connector - White or Black |
| GMC-MM-12-W(B) | 12" male to male cable connector - White or Black |
| GMC-MM-24-W(B) | 24" male to male cable connector - White or Black |
| GMC-MM-39-W(B) | 39" male to male cable connector - White or Black |
| GMC-MM-60-W(B) | 60" male to male cable connector - White or Black |
| GMC-FF-3-W(B) | 3" female to female connector - White or Black |
| GMC-PS-24-W(B) | 24" lightbar to power supply connector - White or Black |
| GMC-PS-48-W(B) | 48" lightbar to power supply connector - White or Black |
| GMC-PS-60-W(B) | 60" lightbar to power supply connector - White or Black |
| GMC-PS90-60-W(B) | 60" fixture to power supply connector - White or Black |
| GMSB-W(B) | Splice Box in white (W) or black (B) - 2"L x 1"W x 5/8"D |

See typical SlimEdge undercabinet layouts and connector dimensions on next page.



EDGE-90-W



EDGE-TD-W
(DO NOT USE WITH WALL DIMMER)



EDGE-BB-1-W



EDGE-IC-W



EDGE-MS-W
(DO NOT USE WITH WALL DIMMER)



GMC-MM-6-W



GMC-PS90-60-W(B)



THE SLIMEDGE™ KITCHEN

Typical kitchen installations involve a series of cabinets that provide the mounting base for SlimEdge fixtures. Make sure that you include the dimensions of fixture and connector when laying out your SlimEdge application.

Locate your 24VDC power supply or out of view*

Hook your first SlimEdge fixture directly to power. 24" SlimEdge 10W

Use a flexible connector to span the width of this range top.

Add another 24" SlimEdge to your run. 24" SlimEdge 10W

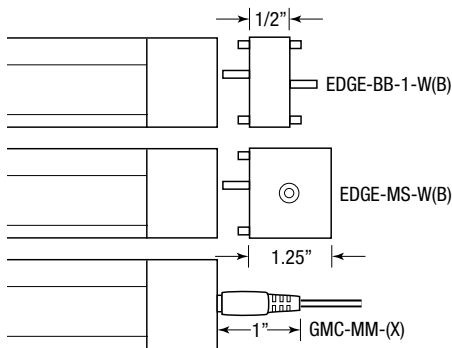
That cove is crying out for illumination! 8" SlimEdge 3W

Finish up your run with a 32" SlimEdge 13W



TOTAL WATTAGE: 36W

*Use our DPPS plug-in power supply for plug-in applications.
For all other applications, please see our website:
www.gmlighting.net



“Make sure that you include the dimensions of fixture AND connector when laying out your SlimEdge application.”



LARC6 24VDC MODULAR ADJUSTABLE LIGHTBAR

**24
VOLT**

**DRY
LOCATION**

**80+
CRI**

**CLASS
2**

**5 Yr.
WARRANTY**

**UL
C US**



PRODUCT DESCRIPTION

LARC6 24VDC Architectural LED Linear Lightbar is an 8", 16", 24" or 32" white, rigid and unobtrusive (only 3/8" thickness) dimmable LED Lightbar. LARC6 can be interconnected in series from one 24VDC power source. Designed for undercabinet, commercial, architectural and task applications. Can be used with DPPS power supply - see below.

More power supply options available - page 193
Dimensioned drawings - see page 132

KEY FEATURES

- Rated at 3W (8"), 7W (16"), 10W (24") and 13W (32")
- 3000K
- Dimmable
- Class 2
- Maximum run: 16'
- Mounting clips and screws included
- Units join securely together with modular connectors (see below)
- Available in 8", 16", 24" and 32" lengths
- 5 year warranty when used with GM power supplies

ORDERING INFORMATION

| Catalog No. | Length | Wattage | Lumens | Color Temp | Finish |
|---------------|--------------|-----------|------------|------------|--------|
| LARC6-8-WW-W | 8" / 203mm | 3W / bar | 200 / bar | 3000K | White |
| LARC6-16-WW-W | 16" / 406mm | 7W / bar | 450 / bar | 3000K | White |
| LARC6-24-WW-W | 24" / 610 mm | 10W / bar | 720 / bar | 3000K | White |
| LARC6-32-WW-W | 32" / 1100mm | 13W / bar | 1100 / bar | 3000K | White |

Includes (2) mounting clips with screws, (1) lightbar to power supply connector (GMC-PS-24-W) and (1) rigid bar to bar connector (LARC6-BB-1-W) included with each lightbar.

CONNECTORS AND ACCESSORIES (Available in white or black)

| Catalog No. | Description |
|----------------|---|
| DPPS-24W-24V | 24V - 24W - Class 2 power supply with cord and plug |
| DPPS-36-24V | 24V - 36W - Class 2 power supply with cord and plug |
| DPSP-4-W(B) | 4 port splitter - White or Black |
| DPSP-8-W(B) | 8 port splitter - White or Black |
| GMC-MF-24-W(B) | 24" male to female cable connector - White or Black |
| GMC-MF-39-W(B) | 39" male to female cable connector - White or Black |
| GMC-MF-60-W(B) | 60" male to female cable connector - White or Black |
| GMC-MM-3-W(B) | 3" male to male cable connector - White or Black |
| GMC-MM-6-W(B) | 6" male to male cable connector - White or Black |
| GMC-MM-12-W(B) | 12" male to male cable connector - White or Black |
| GMC-MM-24-W(B) | 24" male to male cable connector - White or Black |
| GMC-MM-39-W(B) | 39" male to male cable connector - White or Black |
| GMC-MM-60-W(B) | 60" male to male cable connector - White or Black |
| GMC-FF-3-W(B) | 3" female to female connector - White or Black |

| Catalog No. | Description |
|------------------|---|
| GMC-PS-24-W(B) | 24" lightbar to power supply connector - White or Black |
| GMC-PS-48-W(B) | 48" lightbar to power supply connector - White or Black |
| GMC-PS-60-W(B) | 60" lightbar to power supply connector - White or Black |
| GMC-PS90-60-W(B) | 60" fixture to power supply connector - White or Black |
| LARC6-TD-W | Rigid inline touch dimmer - white |
| LARC6-MS-W | Inline master power switch - white |
| LARC6-OS-W | Inline occupancy sensor - white |
| GMSB-W (B) | Splice box White or Black - 2"L x 1"W x 5/8"D |
| EDGE-90-B | 90° connector - Black |
| EDGE-90-W | 90° connector - White |

Installation instructions and spec sheet available for download.
View this product on www.gmlighting.net

120
VOLT

TITLE
24-JA8

27K 30K
35K



PLUG &
PLAY

5 Yr.
WARRANTY



COVALINEAR 120V SELECTABLE WHITE LINEAR LED LIGHTBAR

Choose between three color temps
with a click of the switch!



PRODUCT DESCRIPTION

An Energy Star compliant fully encapsulated driverless 120V architectural LED linear lightbar that enables multi-color temperature selection.

Covalinear is driverless and selectable! Available in 9", 18", 24", 36" or 48" lengths. Rigid and unobtrusive (only 1-1/4" thick), this multi-faceted switchable LED lightbar utilizes a dense array of strategically placed LEDs. Frosted lens assures an even glow over the length of the fixture.

Dimensioned drawings - see page 132

KEY FEATURES

- Rated at 3.5W (9"), 7W (18"), 9W (24"), 12W (36") and 17W (48")
- Selectable - 2700K, 3000K, 3500K
- 120° viewing angle
- 90+ CRI
- Dimmable with standard Triac dimmer
- Maximum run: 40'
- Fixtures join securely together with flexible lightbar to lightbar connectors (see next page)
- Available in 9", 18", 24", 36" and 48" lengths
- Energy Star listed / Title 24/JA8
- 5 year warranty



ORDERING INFORMATION

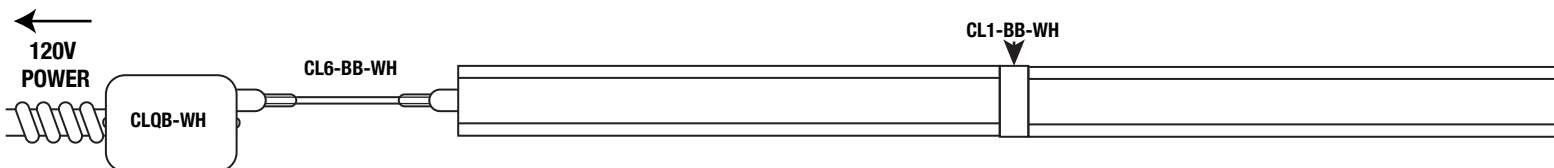
| Catalog No. | Length | Wattage | Lumens | CRI | Color Temp |
|-------------|--------------|---------|--------|-----|---|
| CL9-TUN | 9" / 229mm | 3.5W | 280 | 90+ | SELECTABLE WHITE 2700K, 3000K, 3500K |
| CL18-TUN | 18" / 457mm | 6.8W | 530 | 90+ | |
| CL24-TUN | 24" / 610mm | 9W | 685 | 90+ | |
| CL36-TUN | 36" / 914mm | 12.4W | 930 | 90+ | |
| CL48-TUN | 48" / 1219mm | 17W | 1230 | 90+ | |

Fixture includes (2) sets of mounting clips and screws, 45° pair and flat pair. Includes (1) CL1-BB lightbar to lightbar connector. Fixture must be used with CL Series connectors (next page). All accessories sold separately.

PRODUCT NOTES:

Installation instructions and spec sheet available for download. View this product on www.gmlighting.net

JOIN MULTIPLE COVALINEARS TOGETHER
FOR LONG RUNS UP TO 40 FEET FROM
ONE POWER SOURCE

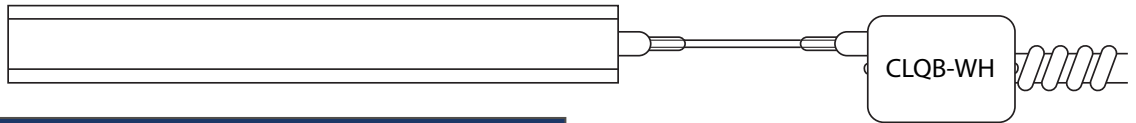


COVALINEAR CONNECTORS AND MODULAR ACCESSORIES



CLQB-WH "QUICK BOX" JUNCTION BOX

- 120V
- Terminal block connectors
- Designed for easy mounting
- Multiple knock-outs
- On/off rocker switch
- Use with CL Series connectors

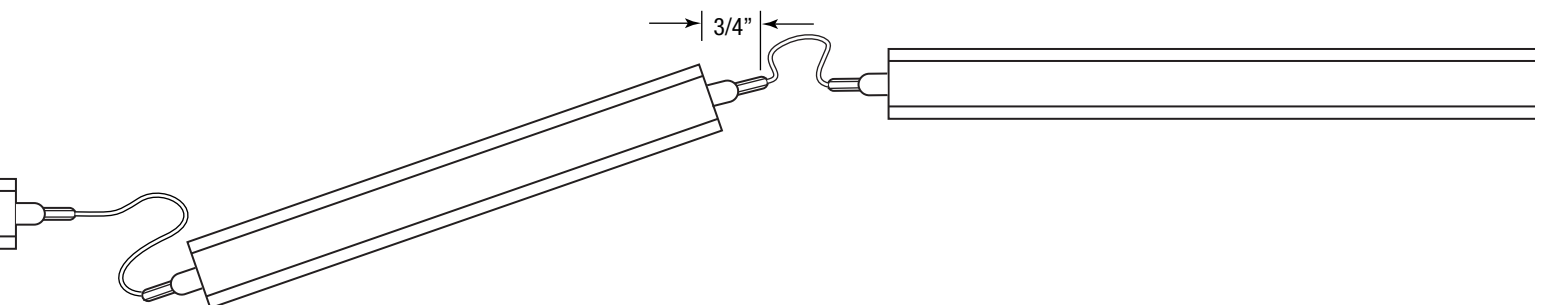


CLQB-WH QUICK BOX

CLQB-WH 120V junction box for undercabinet or other shallow mountings. Multiple knock-outs. On/off switch. 2-3/4"L x 2-1/16"W x 1-1/4"H (see image above)

CONNECTORS AND ACCESSORIES

| Catalog No. | Description |
|-------------|---|
| CL1-BB-WH | Covalinear to Covalinear connector |
| CL6-BB-WH | 6" Covalinear to Covalinear adjustable connector |
| CL12-BB-WH | 12" Covalinear to Covalinear adjustable connector |
| CL24-BB-WH | 24" Covalinear to Covalinear adjustable connector |
| CL36-BB-WH | 36" Covalinear to Covalinear adjustable connector |
| CL6-PC-WH | Covalinear to 120V power - 72" cord and plug |
| CL6-PCHW-WH | Covalinear to 120V power - 72" for hardwire |
| CLQB-WH | Junction box with quick connects - White |



LTAB-N 12VDC ALUMINUM HIGH OUTPUT WET LOCATION LED LIGHTBAR

12 VOLT

JWET LOCATION

CLASS 2

5Yr. WARRANTY

ETL Intertek



PRODUCT DESCRIPTION

Ideal for outdoor wet bar and commercial kitchen applications. GM Lighting's LTAB-N Series provides high output energy efficient LED lighting in an enclosed sealed aluminum housing. Suitable for installations from -12°F to 120°F. Approved for indoor and outdoor use.

Power supplies are available - see page 193
Dimensioned drawings - see page 133

KEY FEATURES

- Rated at 2W (8"), 4W (16") and 6W (24")
- 2700K, 3500K, 5500K
- 120° viewing angle
- Dimmable • Class 2
- Maximum run: 20'
- Mounts with 3M VHB™ double stick tape
- Flexible lightbar to lightbar and lightbar to power supply connectors available (see below)
- Available in 8", 16" and 24" nominal lengths (see ordering information for actual length)
- ETL listed
- 5 year warranty when used with GM power supplies

ORDERING INFORMATION

| Catalog No. | Length | Wattage | Lumens | Color Temp. | Finish |
|--------------|-----------------|----------|-----------|-------------|------------------|
| LTAB-N-8-27 | 7-3/4" / 197mm | 2W / bar | 101 / bar | 2700K | Brushed Aluminum |
| LTAB-N-16-27 | 15-1/4" / 387mm | 4W / bar | 203 / bar | 2700K | Brushed Aluminum |
| LTAB-N-24-27 | 23-5/8" / 600mm | 6W / bar | 304 / bar | 2700K | Brushed Aluminum |
| LTAB-N-8 | 7-3/4" / 197mm | 2W / bar | 101 / bar | 3500K | Brushed Aluminum |
| LTAB-N-16 | 15-1/4" / 387mm | 4W / bar | 203 / bar | 3500K | Brushed Aluminum |
| LTAB-N-24 | 23-5/8" / 600mm | 6W / bar | 304 / bar | 3500K | Brushed Aluminum |
| LTAB-N-8-PW | 7-3/4" / 197mm | 2W / bar | 101 / bar | 5500K | Brushed Aluminum |
| LTAB-N-16-PW | 15-1/4" / 387mm | 4W / bar | 203 / bar | 5500K | Brushed Aluminum |
| LTAB-N-24-PW | 23-5/8" / 600mm | 6W / bar | 304 / bar | 5500K | Brushed Aluminum |

This lightbar includes attached 3M double stick mounting tape, (2) plastic mounting clips, (4) stainless steel screws, (1) male plug to seal end of run and 2-way double stick tape for concealing connectors to mounting surface. (1) 24" lightbar to power supply connector (LTW-24-WP) included.

PRODUCT NOTES:

Installation instructions and spec sheet available for download.
View this product and photometrics on www.gmlighting.net

When used in an outdoor application, requires outdoor rated 12VDC power supply. See power supply sections starting on page 193.

CONNECTORS AND ACCESSORIES

| Catalog No. | Description |
|-------------|---|
| LTCWP-12 | 12" flexible lightbar to lightbar connector |
| LTCWP-24 | 24" flexible lightbar to lightbar connector |
| LTCWP-36 | 36" flexible lightbar to lightbar connector |
| LTCWP-60 | 60" flexible lightbar to lightbar connector |
| LTW-24-WP | 24" flexible lightbar to power supply connector |
| LTW-48-WP | 48" flexible lightbar to power supply connector |
| LTW-60-WP | 60" flexible lightbar to power supply connector |
| LTAB-N-SB | (Pair) of swivel brackets with stainless steel screws |
| GMSB-W (B) | Splice box - White or Black - 2"L x 1"W x 5/8"D |

LTB 12VDC RIGID HIGH OUTPUT LED LIGHTBAR



12
VOLT

DRY
LOCATION

CLASS
2

5 Yr
WARRANTY

ETL
Intertek

PRODUCT DESCRIPTION

High output LED lighting for superior lumen performance for a wide variety of lighting applications. GM Lighting's LTB Rigid High Output LED Linear Lightbar Series provides a warm 3500K light source that is easily configurable by utilizing GM Lighting's flexible lightbar to lightbar connectors (below). The LTB Series fixtures are extremely easy to mount with the attached 3M double stick padded mounting tape on the back of each lightbar.

Power supplies available - starting on page 193
Dimensioned drawings - see page 133

KEY FEATURES

- Rated at 2W (8") and 4W (16")
- 3500K
- 120° viewing angle
- Dimmable
- Class 2
- Maximum run: 20'
- Mounts with 3M VHB™ double stick tape
- Flexible lightbar to lightbar and lightbar to power supply connectors available (see below)
- Available in 8" and 16" nominal lengths (see ordering information for actual length)
- ETL listed
- 5 year warranty when used with GM power supplies

ORDERING INFORMATION

| Catalog No. | Length | Wattage | Lumens | Color Temp. | Finish |
|---------------|-----------------|----------|-----------|-------------|--------|
| LTB-8 | 7-3/4" / 197mm | 2W / bar | 132 / bar | 3500K | White |
| LTB-16 | 15-1/4" / 387mm | 4W / bar | 264 / bar | 3500K | White |

This lightbar includes attached 3M double stick mounting tape and (1) lightbar to lightbar power supply connector.

CONNECTORS AND ACCESSORIES

| Catalog No. | Description |
|-------------------|---|
| LTBC-3 | 3" flexible lightbar to lightbar connector |
| LTBC-12 | 12" flexible lightbar to lightbar connector |
| LTBC-24 | 24" flexible lightbar to lightbar connector |
| LTBC-36 | 36" flexible lightbar to lightbar connector |
| LTBC-60 | 60" flexible lightbar to lightbar connector |
| LTBPC-6 | 6" flexible lightbar to power supply connector |
| LTBPC-24 | 24" flexible lightbar to power supply connector |
| LTBPC-48 | 48" flexible lightbar to power supply connector |
| LTBPC-60 | 60" flexible lightbar to power supply connector |
| LTMC | (Pair) mounting clips with 4 screws |
| GMSB-W (B) | Splice box - White or Black - 2"L x 1"W x 5/8"D |

PRODUCT NOTES:

Installation instructions and spec sheet available for download. View this product and photometrics on www.gmlighting.net

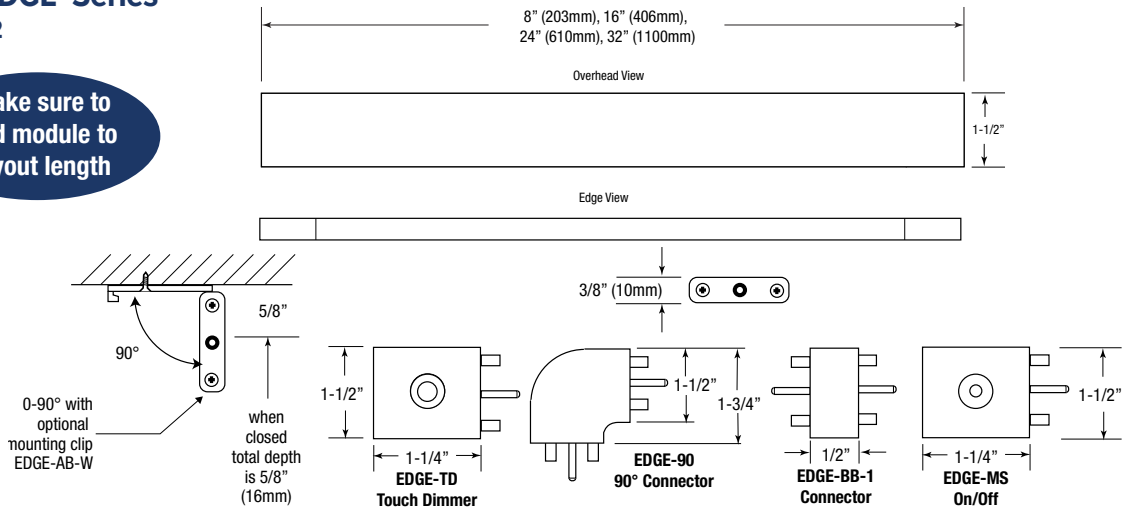
Dry location compatible with electronic / magnetic power supplies. See power supply sections beginning on page 193

LIGHTBAR FIXTURE DIAGRAMS

SLIMEDGE™ Series

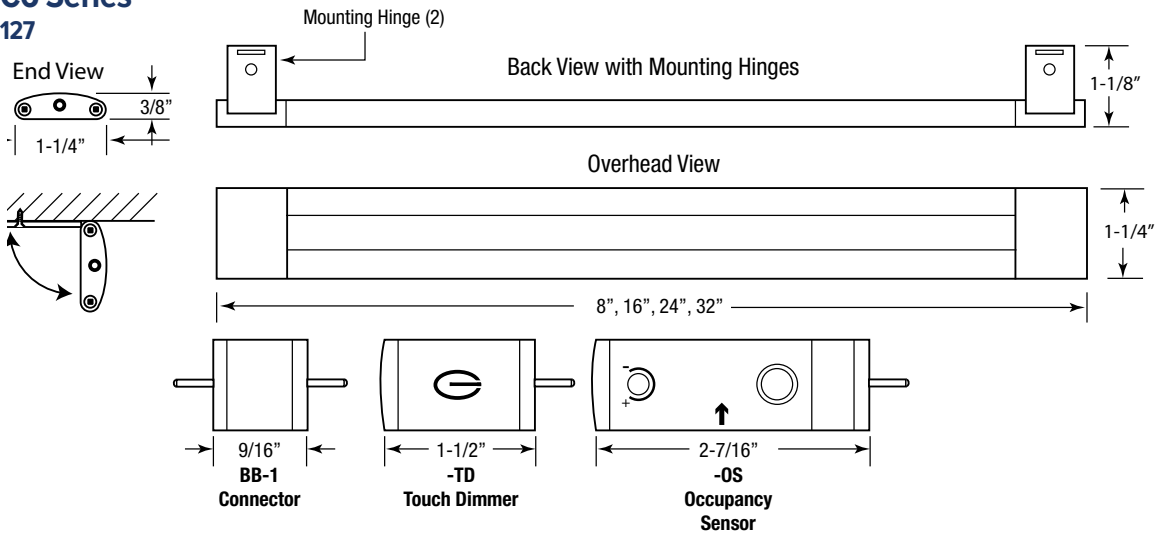
Page 122

Make sure to add module to layout length



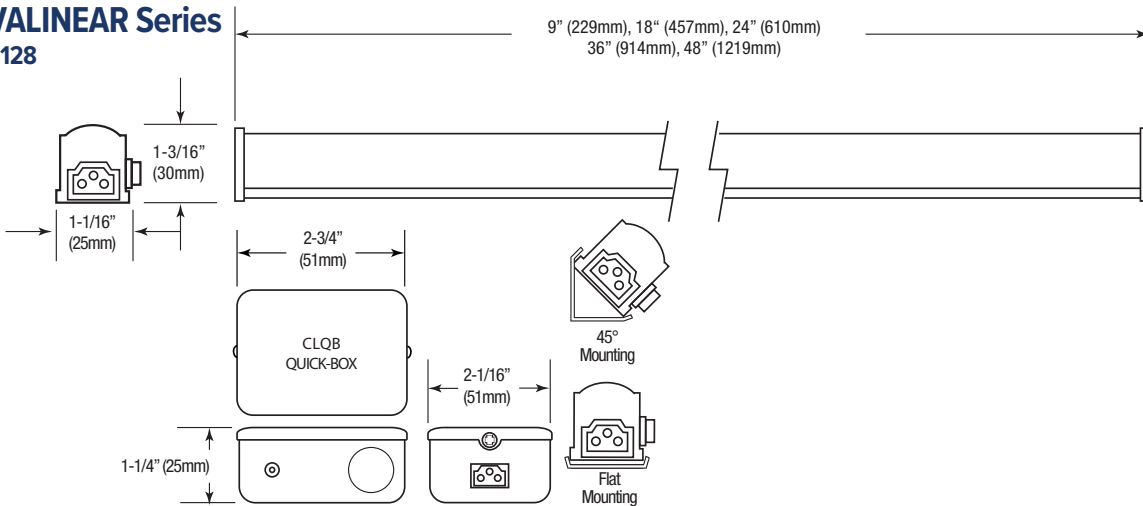
LARC6 Series

Page 127



COVALINEAR Series

Page 128



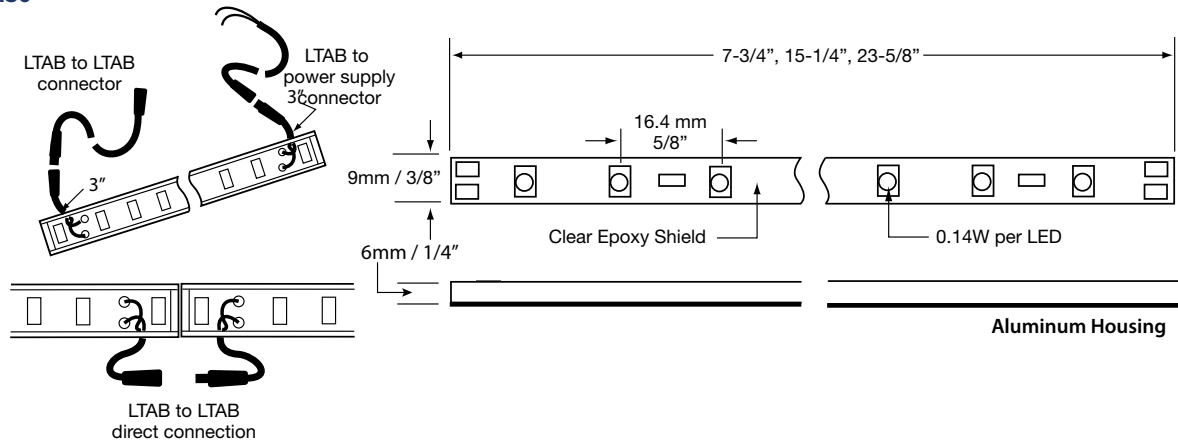
PRODUCT NOTES:

Installation instructions and spec sheet available for download.
View this product on www.gmlighting.net

LIGHTBAR FIXTURE DIAGRAMS

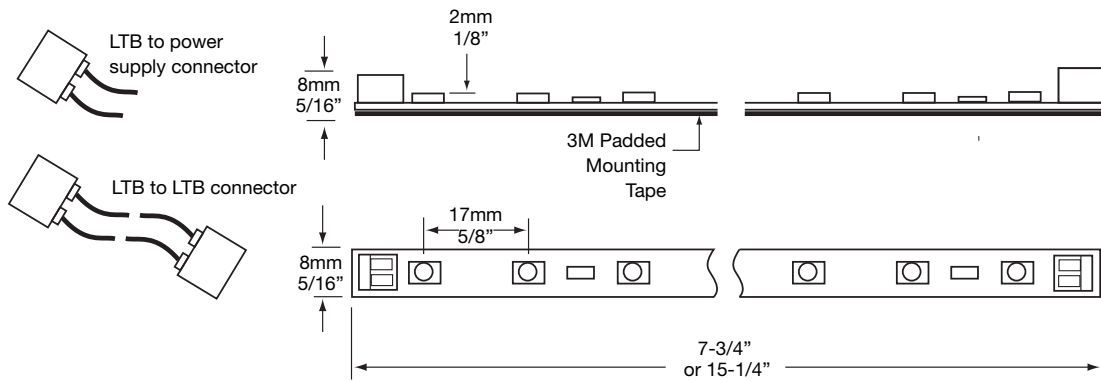
LTAB Series

Page 130



LTB Series

Page 131



LIGHTBAR COMPARATIVE ANALYSIS

| LightBar Series | Voltage | Wattage | Lengths (Actual) | Mounting Depth | CRI | Lumens per Bar | Color Temp |
|-------------------|---------|--------------------|--------------------------|----------------|-----|--|---------------------|
| LTAB SERIES | 12VDC | 3W/ft. | 7-3/4", 15-1/4", 23-5/8" | 1/4" | 80 | 8" - 101 16" - 203 24" - 304 | 2700K, 3500K 5500K |
| LTB SERIES | 12VDC | 3W/ft. | 7-3/4", 15-1/4" | 5-16" | 80 | 8" - 132 16" - 264 | 3500K |
| SLIMEDGE SERIES | 24VDC | 4W/ft. | 8", 16", 24" 32" | 5/8" | 90+ | 8" - 150 16" - 325 24" - 550 32" - 750 | 2700K, 3000K |
| LARC6 SERIES | 24VDC | 4W/ft. | 8", 16", 24", 32" | 3/8" | 80+ | 8" - 200 16" - 450 24" - 720 32" - 1100 | 3000K |
| COVALINEAR SERIES | 120V | 4.5W/ft. (approx.) | 9", 18", 24", 36", 48" | 1-3/16" | 90+ | Depends on color temp and length. See page 116 | 2700K, 3000K, 3500K |

Specifications are subject to change without notice. Please refer to website (www.gmlighting.net) for the latest specification info.

PRODUCT NOTES:

Installation instructions and spec sheet available for download.

View these products on www.gmlighting.net



Puck Lights



12VDC SURFACE / RECESS MOUNT
LED SLIM PUCK..... 136



24VDC SURFACE / RECESS MOUNT
LED SLIM PUCK.....137



12VDC 3W HIGH POWER
SURFACE OR RECESS MOUNT
LED DIMMABLE PUCK.. 138



12VDC RECESS MOUNT
LED SLIM PUCK MINI.... 139



CHROMADIM TUNABLE WHITE
LED PUCK LIGHT 110

12VDC SURFACE / RECESS MOUNT LED SLIM PUCK

12 VOLT

DRY LOCATION

CLASS 2

80+ CRI

DIM

5 Yr. WARRANTY

ETL Intertek



PRODUCT DESCRIPTION

Pucks have come a long way since we first introduced them to our customers over 10 years ago. Our 12V LED Slim Puck incorporates superior quality matched with the latest LED technology.

At a slim 1/4" depth, Slim Puck employs a unique trim that is captured to the recess or surface mounting, magnetically. At 2.2W, Slim Puck delivers up to 180 lumens in either 2700K, 3000K or 4000K.

Fixture dimensions: Page 141

NOTE: We recommend using this product with PSD Series power supplies, page 200, or LineDRIVE electronic dimmable power supplies, starting on page 193.

DO NOT USE WITH MAGNETIC POWER SUPPLY.

KEY FEATURES

- 12VDC operation
- 2700K, 3000K, 4000K
- Dimmable
- 120° beam spread
- Surface or recess mount
- Magnetic cover plates
- 48" leads
- 5 year warranty when used with GM power supplies



ORDERING INFORMATION

| Catalog No. | Dimensions | Wattage | Lumens | Color Temp. | CRI | Finish |
|-------------|----------------------|---------|--------|-------------|-----|----------------|
| SP-2-27-W | 3" dia. x 1/4" depth | 2.2W | 165 | 2700K | 80+ | White |
| SP-2-27-BNK | 3" dia. x 1/4" depth | 2.2W | 165 | 2700K | 80+ | Brushed Nickel |
| SP-2-27-B | 3" dia. x 1/4" depth | 2.2W | 165 | 2700K | 80+ | Black |
| SP-2-27-BZ | 3" dia. x 1/4" depth | 2.2W | 165 | 2700K | 80+ | Bronze |
| SP-2-30-W | 3" dia. x 1/4" depth | 2.2W | 170 | 3000K | 80+ | White |
| SP-2-30-BNK | 3" dia. x 1/4" depth | 2.2W | 170 | 3000K | 80+ | Brushed Nickel |
| SP-2-30-B | 3" dia. x 1/4" depth | 2.2W | 170 | 3000K | 80+ | Black |
| SP-2-30-BZ | 3" dia. x 1/4" depth | 2.2W | 170 | 3000K | 80+ | Bronze |
| SP-2-40-W | 3" dia. x 1/4" depth | 2.2W | 180 | 4000K | 80+ | White |
| SP-2-40-BNK | 3" dia. x 1/4" depth | 2.2W | 180 | 4000K | 80+ | Brushed Nickel |
| SP-2-40-B | 3" dia. x 1/4" depth | 2.2W | 180 | 4000K | 80+ | Black |
| SP-2-40-BZ | 3" dia. x 1/4" depth | 2.2W | 180 | 4000K | 80+ | Bronze |

PRODUCT NOTES:

Installation instructions and spec sheet available for download.
View this product on www.gmlighting.net

24VDC SURFACE / RECESS MOUNT LED SLIM PUCK



PRODUCT DESCRIPTION

A 3" (75mm) diameter circular surface (with mounting ring) or recessed (without mounting ring) puck. Constructed of a high quality aluminum body with white polycarbonate diffuser lens for low glare. Available in White, Black, Bronze and Brushed Nickel trim.

Fixture dimensions: Page 141

NOTE: We recommend using this product with PSD Series power supplies, page 200, or LineDRIVE electronic dimmable power supplies, starting on page 193.

DO NOT USE WITH MAGNETIC POWER SUPPLY.

KEY FEATURES

- 24VDC operation
- 2.2W
- 2700K / 3000K
- Multiple finishes
- Dimmable w/ ELV drivers
- Surface or recess mount
- Magnetic cover plates
- 5 year warranty when used with GM power supplies
- Ambient Operating Temperature: -4°F to 113°F



ORDERING INFORMATION

| Catalog No. | Dimensions | Wattage | Lumens | Color Temp. | CRI | Finish |
|--------------|----------------------|---------|--------|-------------|-----|----------------|
| PL24V-27-W | 3" dia. x 1/4" depth | 2.2W | 165 | 2700K | 80+ | White |
| PL24V-27-BNK | 3" dia. x 1/4" depth | 2.2W | 165 | 2700K | 80+ | Brushed Nickel |
| PL24V-27-B | 3" dia. x 1/4" depth | 2.2W | 165 | 2700K | 80+ | Black |
| PL24V-27-BZ | 3" dia. x 1/4" depth | 2.2W | 165 | 2700K | 80+ | Bronze |
| PL24V-30-W | 3" dia. x 1/4" depth | 2.2W | 170 | 3000K | 80+ | White |
| PL24V-30-BNK | 3" dia. x 1/4" depth | 2.2W | 170 | 3000K | 80+ | Brushed Nickel |
| PL24V-30-B | 3" dia. x 1/4" depth | 2.2W | 170 | 3000K | 80+ | Black |
| PL24V-30-BZ | 3" dia. x 1/4" depth | 2.2W | 170 | 3000K | 80+ | Bronze |

PRODUCT NOTES:

Installation instructions and spec sheet available for download.
View this product on www.gmlighting.net

12VDC 3W HIGH POWER LED ACCENT/TASK

- 12 VOLT**
- DRY LOCATION**
- CLASS 2**
- 90+ CRI**
- DIM**
- 5 Yr. WARRANTY**
- ETL Intertek**



PRODUCT DESCRIPTION

A surface or recess mount 12VDC, 3W high power 3000K LED puck that is available in white, black, bronze or brushed nickel. 220 lumens. The lens delivers even light distribution with a wide 120° beam.

KEY FEATURES

- 12VDC operation
- 3000K
- 120° beam spread
- Dimmable with magnetic and electronic power supply
- 2-7/8" dia. x 1/2" depth
- 90+ CRI
- 48" leads
- ETL
- 5 year warranty when used with GM power supplies

**NEW LOOK
AND
IMPROVED
PERFORMANCE**

ORDERING INFORMATION

| Catalog No. | Dimensions | Wattage | Lumens | Color Temp. | CRI | Finish |
|-------------|--------------------------|---------|--------|-------------|-----|----------------|
| SDP-3-W | 2-7/8" dia. x 1/2" depth | 3W | 220 | 3000K | 90+ | White |
| SDP-3-B | | 3W | 220 | 3000K | 90+ | Black |
| SDP-3-BZ | | 3W | 220 | 3000K | 90+ | Bronze |
| SDP-3-BNK | | 3W | 220 | 3000K | 90+ | Brushed Nickel |

PRODUCT NOTES:

Installation instructions and spec sheet available for download.
View this product on www.gmlighting.net

12VDC RECESS MOUNT LED SLIM PUCK MINI

12 VOLT

DRY LOCATION

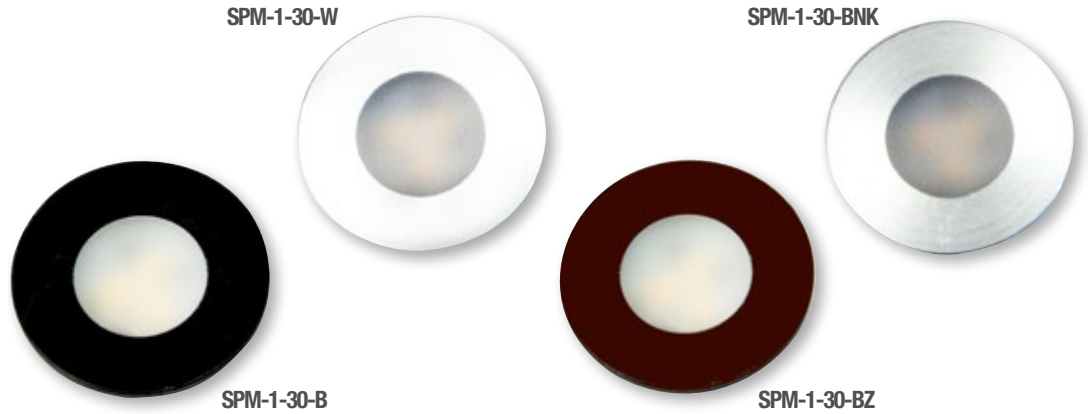
CLASS 2

80+ CRI

DIM

5 Yr. WARRANTY

ETL Intertek



PRODUCT DESCRIPTION

Perfect for compact areas where superior lighting is key and mounting depth is limited, Slim Puck Mini is a spring loaded, easy to mount recess puck that delivers up to 95 lumens in either 3000K or 4000K.

- Desk / book shelf lighting
- Retail display
- Elevator
- Interior accent
- Mobile home and restricted space lighting

Fixture dimensions: Page 141

NOTE: We recommend using this product with PSD Series power supplies, page 200, or LineDRIVE electronic dimmable power supplies, starting on page 193.

KEY FEATURES

- 12VDC operation
- 3000K, 4000K
- Dimmable
- Recess Mount Only
- Spring loaded installation
- 48" leads
- 5 year warranty when used with GM power supplies



ORDERING INFORMATION

| Catalog No. | Dimensions | Wattage | Lumens | Color Temp. | CRI | Finish |
|--------------|----------------------------|---------|--------|-------------|-----|----------------|
| SPM-1-30-W | 1-5/16" dia. x 9/16" depth | 1.2W | 90 | 3000K | 80+ | White |
| SPM-1-30-BNK | 1-5/16" dia. x 9/16" depth | 1.2W | 90 | 3000K | 80+ | Brushed Nickel |
| SPM-1-30-B | 1-5/16" dia. x 9/16" depth | 1.2W | 90 | 3000K | 80+ | Black |
| SPM-1-30-BZ | 1-5/16" dia. x 9/16" depth | 1.2W | 90 | 3000K | 80+ | Bronze |
| SPM-1-40-W | 1-5/16" dia. x 9/16" depth | 1.2W | 95 | 4000K | 80+ | White |
| SPM-1-40-BNK | 1-5/16" dia. x 9/16" depth | 1.2W | 95 | 4000K | 80+ | Brushed Nickel |
| SPM-1-40-B | 1-5/16" dia. x 9/16" depth | 1.2W | 95 | 4000K | 80+ | Black |
| SPM-1-40-BZ | 1-5/16" dia. x 9/16" depth | 1.2W | 95 | 4000K | 80+ | Bronze |

PRODUCT NOTES:

Installation instructions and spec sheet available for download.

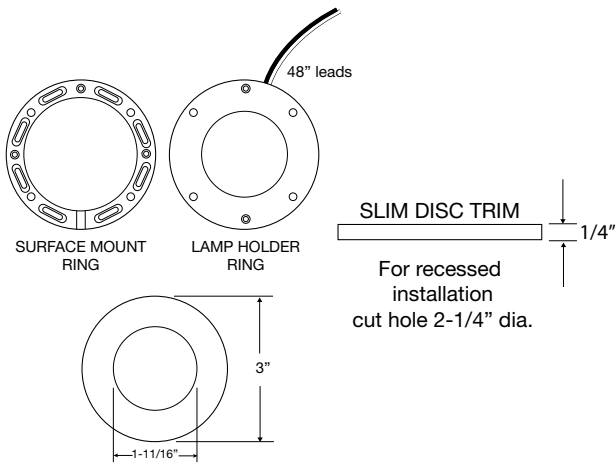
View this product on www.gmlighting.net



PUCK DIAGRAMS

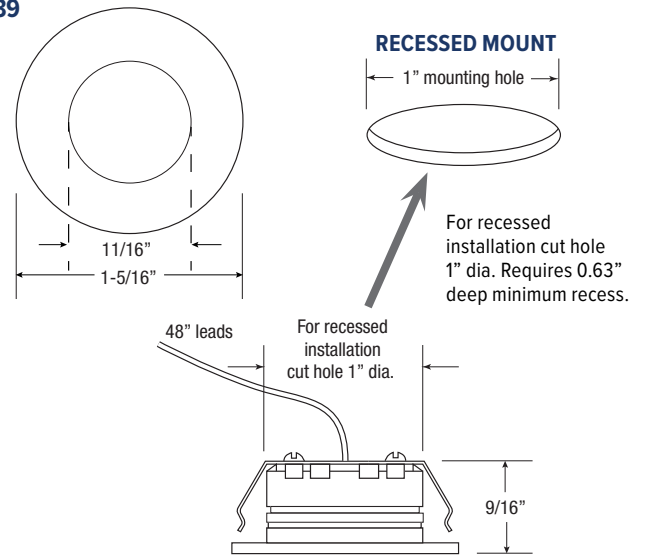
12VDC SP/24VDC PL LED SLIM PUCK

Page 136, 137



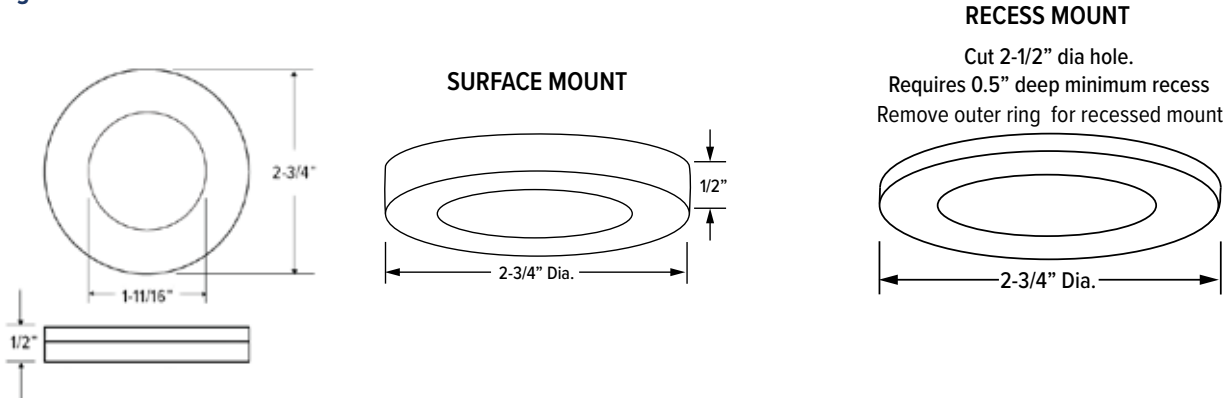
LED SPM Series SLIM PUCK MINI

Page 139



12VDC SDP Series 3W HIGH POWER PUCK

Page 138



PUCKS COMPARATIVE ANALYSIS

| Puck Series | Voltage | Wattage | Dimensions | Mounting Depth | CRI | Lumens | Color Temps |
|-------------------------|---------|---------|--------------|----------------|-----|-------------------------------------|---------------------|
| SP-2 SLIM PUCK | 12VDC | 2.2W | 3" dia. | 1/4" | 80+ | 27K - 165 30K - 170 40K - 180 | 2700K, 3000K, 4000K |
| PL24V SLIM PUCK | 24VDC | 2.2W | 3" dia. | 1/4" | 80+ | 27K - 165 30K - 170 | 2700K, 3000K |
| SPM-1 SLIM PUCK MINI | 12VDC | 1.2W | 1-5/16" dia. | 9/16" | 80+ | 30K - 90 40K - 95 | 3000K, 4000K |
| SDP3 3W HIGH POWER PUCK | 12VDC | 3W | 2-3/4" dia. | 1/2" | 90+ | 30K - 220 | 3000K |

Specifications are subject to change without notice. Please refer to website (www.gmlighting.net) for the latest specification info



Surface Mount Downlights



S SERIES 120V
SURFACE DOWNLIGHT
S4 TITLE 24 CLOSET RATED144
S6 TITLE 24 CLOSET RATED144
S9 SURFACE MOUNT..... 145
R6 SURFACE MOUNT 146



PROXIMA 120V
LED SENSOR CLOSET
RATED LIGHTING147



GEOTASK[®] SELECTABLE 148



GEOTASK[®] SQUARE 150

120VAC SURFACE MOUNT WET LOCATION / TITLE 24 DOWNLIGHT



S6-3090-WH

120 VOLT

JWET LOCATION

90+ CRI

TITLE 24/JA8

ADA

CLOSET

5Yr. WARRANTY

ETL Intertek

PRODUCT DESCRIPTION

A driverless, closet rated, wet location and Title 24 approved circular surface mount downlight that is available with a recessed kit for mounting into existing cans. The S4 and S6 feature a powder coated metal housing with white opal lens and full gasketing. Energy Star certified to help you save energy.

NOTE: WET LOCATION LISTED FOR SHOWERS AND PROTECTED CEILINGS

Fixture dimensions: Page 152

KEY FEATURES

- 120V
- 2700K, 3000K or 4000K
- 12W / 15W
- Dimmable (Triac)
- Title 24 / JA8
- Suitable for use in closets, compliant with NFPA 70, NEC section 410.16 (A)(3) and 410.16 (C)(5)
- Powder coated metal housing with white opal diffuser
- Universal mounting bracket for easy installation
- Retrofit mounting kit available (see below)
- Wet location
- 90+ CRI
- Energy Star • ADA • 5 year warranty



ORDERING INFORMATION

| Catalog No. | Dimensions | Wattage | Lumens | CRI | Color Temp. | Finish |
|-------------|----------------------------|---------|--------|-----|-------------|--------|
| S4-2790-WH | 6" dia. x 1-1/2" depth | 12W | 540 | 90+ | 2700K | White |
| S6-2790-WH | 7-1/4" dia. x 1-3/8" depth | 15W | 920 | 90+ | 2700K | White |
| S4-3090-WH | 6" dia. x 1-1/2" depth | 12W | 670 | 90+ | 3000K | White |
| S6-3090-WH | 7-1/4" dia. x 1-3/8" depth | 15W | 950 | 90+ | 3000K | White |
| S4-4090-WH | 6" dia. x 1-1/2" depth | 12W | 770 | 90+ | 4000K | White |
| S6-4090-WH | 7-1/4" dia. x 1-3/8" depth | 15W | 1050 | 90+ | 4000K | White |

MOUNTING ACCESSORIES

| Catalog No. | Description |
|-------------|---|
| S4-RKT | Retrofit kit for S4. Includes hardware and screw-in 120V adapter. |
| S6-RKT | Retrofit kit for S6. Includes hardware and screw-in 120V adapter. |

PRODUCT NOTES:

Installation instructions and spec sheet available for download.
View this product on www.gmlighting.net

120VAC SURFACE MOUNT WET LOCATION DOWNLIGHT

S9-2790-WH



120
VOLT



90+
CRI



5 Yr.
WARRANTY



PRODUCT DESCRIPTION

Continuing in the tradition of the S4 and S6 Series, our S9 Series boasts superior 90+ CRI optics as well as Energy Star certification. At 27W and available in 2700K, 3000K and 4000K this dimmable fixture offers maintenance free operation.

NOTE: WET LOCATION LISTED FOR SHOWERS AND PROTECTED CEILINGS

Fixture dimensions: Page 152

KEY FEATURES

- 120V
- 2700K, 3000K or 4000K
- 27W
- Dimmable (Triac)
- Powder coated metal housing with white opal diffuser
- Universal mounting bracket for easy installation
- Wet location
- 90+ CRI
- Energy Star listed
- 5 year warranty



ORDERING INFORMATION

| Catalog No. | Dimensions | Wattage | Lumens | CRI | Color Temp. | Finish |
|-------------|----------------------------|---------|--------|-----|-------------|--------|
| S9-2790-WH | 9-1/2" dia. x 1-3/8" depth | 27W | 1800 | 90+ | 2700K | White |
| S9-3090-WH | 9-1/2" dia. x 1-3/8" depth | 27W | 2000 | 90+ | 3000K | White |
| S9-4090-WH | 9-1/2" dia. x 1-3/8" depth | 27W | 2100 | 90+ | 4000K | White |

PRODUCT NOTES:

Installation instructions and spec sheet available for download.
View this product on www.gmlighting.net

PERFECT FOR:

- General lighting and large areas
- Commercial and Institutional Lighting
- Downlighting
- Hospitality corridor lighting
- Lab and medical facility lighting
- Commercial kitchen lighting
- Study hall and task lighting

120VAC R6 ECONOMY SERIES SURFACE MOUNT DAMP LOCATION / TITLE 24 DOWNLIGHT



R6-3090-WH

120
VOLT

JWET
LOCATION

90+
CRI

TITLE
24/JA8

ADA
♿

CLOSET

5Yr.
WARRANTY

ETL
Intertek

PRODUCT DESCRIPTION

A closet rated, wet location and Title 24 approved circular surface mount downlight that features white powder coat steel housing with white opal lens and full gasketing. Mounts to standard fixture box or with recessed R6-RKT mounting kit, ordered separately - See below.

NOTE: WET LOCATION LISTED FOR SHOWERS AND PROTECTED CEILINGS

Fixture dimensions: Page 152

KEY FEATURES

- 120V
- 2700K, 3000K or 4000K
- 15W
- Dimmable (Triac)
- Title 24 / JA8
- Suitable for use in closets, compliant with NFPA 70, NEC section 410.16 (A)(3) and 410.16 (C)(5)
- Powder coated metal housing with white opal diffuse
- Universal mounting bracket for easy installation
- Retrofit mounting kit available (see below)
- Wet location
- 90+ CRI
- Energy Star • ADA • 3 year warranty



ORDERING INFORMATION

| Catalog No. | Dimensions | Wattage | Lumens | CRI | Color Temp. | Finish |
|-------------|----------------------------|---------|--------|-----|-------------|----------------|
| R6-2790-WH | 7-3/8" dia. x 1-1/4" depth | 15W | 830 | 90+ | 2700K | White |
| R6-3090-WH | 7-3/8" dia. x 1-1/4" depth | 15W | 870 | 90+ | 3000K | White |
| R6-4090-WH | 7-3/8" dia. x 1-1/4" depth | 15W | 900 | 90+ | 4000K | White |
| R6-2790-BN | 7-3/8" dia. x 1-1/4" depth | 15W | 830 | 90+ | 2700K | Brushed Nickel |
| R6-3090-BN | 7-3/8" dia. x 1-1/4" depth | 15W | 870 | 90+ | 3000K | Brushed Nickel |
| R6-4090-BN | 7-3/8" dia. x 1-1/4" depth | 15W | 900 | 90+ | 4000K | Brushed Nickel |

MOUNTING ACCESSORIES

| Catalog No. | Description |
|-------------|-----------------------------|
| R6-RKT | Retrofit kit for R6 fixture |

PRODUCT NOTES:
Installation instructions and spec sheet available for download.
View this product on www.gmlighting.net

120V PROXIMA LED SURFACE PROXIMITY SENSOR DOWNLIGHT

120 VOLT

JWET LOCATION

90+ CRI

CLOSET

TITLE 24-JA8

5 Yr. WARRANTY

ETL US Intertek



PRX-2790-WH

**SELECTABLE WHITE
VERSION
COMING SOON**

PRODUCT DESCRIPTION

Proxima is a 120V low profile, wet location, closet rated surface mount luminaire that features an integral motion / proximity sensor that illuminates its 90+ CRI LED source when the fixture senses that someone has entered its space. No more searching for the light switch!

NOTE: WET LOCATION LISTED FOR SHOWERS AND PROTECTED CEILINGS

Fixture dimensions: Page 152

KEY FEATURES

- 120V
- 2700, 3000K or 4000K
- 15W
- Title 24
- Not Dimmable
- Universal mounting bracket for easy installation
- Suitable for use in closets, compliant with NFPA 70, NEC section 410.16 (A)(3) and 410.16 (C)(5)
- Wet location
- 90+ CRI
- Energy Star listed
- 5 year warranty



ORDERING INFORMATION

| Catalog No. | Dimensions | Wattage | Lumens | CRI | Color Temp | Finish |
|-------------|------------------------|---------|--------|-----|------------|--------|
| PRX-2790-WH | 8" dia. x 1-3/8" depth | 15W | 950 | 90+ | 2700K | White |
| PRX-3090-WH | 8" dia. x 1-3/8" depth | 15W | 975 | 90+ | 3000K | White |
| PRX-4090-WH | 8" dia. x 1-3/8" depth | 15W | 1000 | 90+ | 4000K | White |

Limited inventory. While supplies last. Selectable White version coming soon. See below.

| Catalog No. | Dimensions | Wattage | CRI | Color Temp | Lumens | Finish |
|-------------|------------------------|---------|-----|--------------------------------------|---------------|--------|
| PRX-TUN-WH | 8" dia. x 1-3/8" depth | 15W | 90+ | Selectable: 2700, 3000K, 4000K | 770, 870, 980 | White |

PRODUCT NOTES:

Installation instructions and spec sheet available for download.
View this product on www.gmlighting.net

**Watch the
Proxima Video!**



120V GEOTASK SELECTABLE WET LOCATION DISCS WITH EDGE-LIT TECHNOLOGY

GM-RND8-TUN-WH



PRODUCT DESCRIPTION

GeoTask™ inspires a world of applications through nature's most elemental form. With the ability to switch between 2700K, 3000K and 4000K in round 5", 8" and 12" nominal diameters, GeoTask is a star in any performance venue from task to hospitality, and from residential to commercial lighting applications in an Energy Star rated, wet location luminaire.

NOTE: WET LOCATION LISTED FOR SHOWERS AND PROTECTED CEILINGS

Fixture dimensions: Page 153

KEY FEATURES

- 120V
- Selectable - 2700K, 3000K, 4000K
- Dimmable (Triac)
- Shallow profile
- Supplied with universal mounting plate
- 90+ CRI
- Wet Location (IP54 - Ceiling Mount Only)
- Edge-Lit Technology for diode-free illumination
- ADA Compliant (wall mounted)
- Title 24 / JA8
- Energy Star
- 5 year warranty



120 VOLT

TITLE 24-JA8

90+ CRI

27K 30K
40K

JWET LOCATION

ADA

IP 54

5Yr. WARRANTY

ETL Intertek

ORDERING INFORMATION

| Catalog No. | Diameter (nominal) | Wattage | Lumens | CRI | Finish |
|-----------------|--------------------|---------|------------------|-----|--------|
| GM-RND5-TUN-WH | 5" Dia. | 10W | 550, 600, 650 | 90+ | WHITE |
| GM-RND8-TUN-WH | 8" Dia. | 15W | 850, 900, 950 | 90+ | WHITE |
| GM-RND12-TUN-WH | 12" Dia. | 23W | 1450, 1475, 1500 | 90+ | WHITE |

PRODUCT NOTES:

Installation instructions and spec sheet available for download.

View this product on www.gmlighting.net

Watch the
GeoTask Video!





GEOTASK™ 120V 90+ CRI WET LOCATION SURFACE MOUNT LIGHT SQUARES

120 VOLT

TITLE 24-JA8

90+ CRI

27K 30K 40K

JWET LOCATION

ADA

IP 54

5Yr. WARRANTY

ETL Intertek



SELECTABLE WHITE
VERSION
COMING SOON

PRODUCT DESCRIPTION

GeoTask™ 120V 90 CRI Wet Location LED Surface Mount Light Squares are perfect for accent lighting, hospitality lighting, task lighting, light mosaics, entertainment centers kitchen, bath and vanity, residential and commercial lighting. Complies with ADA when wall mounted.

NOTE: WET LOCATION LISTED FOR SHOWERS AND PROTECTED CEILINGS

Fixture dimensions: Page 153

KEY FEATURES

- 120V
- 3000K or 4000K
- Dimmable (Triac)
- Shallow profile
- Supplied with universal mounting plate
- 90+ CRI
- Wet Location (IP54 - Ceiling Mount Only)
- Edge-Lit Technology for diode-free illumination
- ADA Compliant (wall mounted)
- Title 24 / JA8
- Energy Star
- 5 year warranty



ORDERING INFORMATION

| Catalog No. | Nominal Dimensions | Wattage | Lumens | CRI | Color Temp. | Finish |
|----------------|-------------------------|---------|--------|-----|-------------|--------|
| GM-SLD4-30-WH | 4" sq. x 5/8" depth | 10W | 600 | 90+ | 3000K | White |
| GM-SLD4-40-WH | 4" sq. x 5/8" depth | 10W | 650 | 90+ | 4000K | White |
| GM-SLD6-30-WH | 6" sq. x 5/8" depth | 15W | 900 | 90+ | 3000K | White |
| GM-SLD6-40-WH | 6" sq. x 5/8" depth | 15W | 950 | 90+ | 4000K | White |
| GM-SLD12-30-WH | 12" square x 5/8" depth | 23W | 1500 | 90+ | 3000K | White |
| GM-SLD12-40-WH | 12" square x 5/8" depth | 23W | 1550 | 90+ | 4000K | White |

Limited inventory. While supplies last. Selectable White version coming soon. See below.

| Catalog No. | Nominal Dimensions | Wattage | CRI | Color Temp. | Lumens | Finish |
|--------------|-------------------------|---------|-----|---------------------------------------|------------------|--------|
| GM-SLD4-TUN | 4" sq. x 5/8" depth | 10W | 90+ | Selectable: 2700K, 3000K, 4000K | 540, 590, 610 | White |
| GM-SLD6-TUN | 6" sq. x 5/8" depth | 15W | 90+ | | 850, 910, 930 | White |
| GM-SLD12-TUN | 12" square x 5/8" depth | 23W | 90+ | | 1270, 1380, 1490 | White |

PRODUCT NOTES:

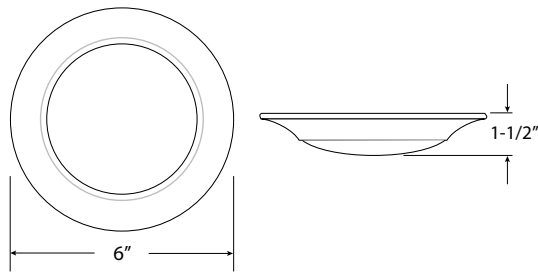
Installation instructions and spec sheet available for download.

View this product on www.gmlighting.net

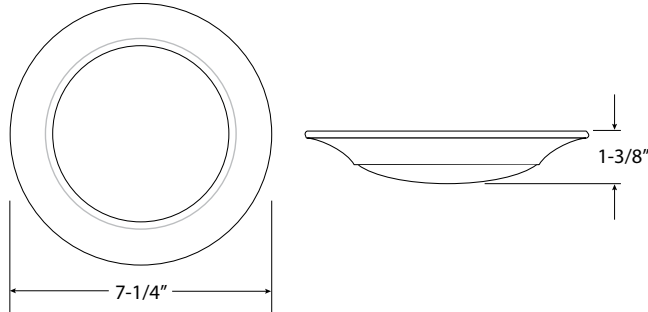


120V SURFACE MOUNT FIXTURE DIAGRAMS

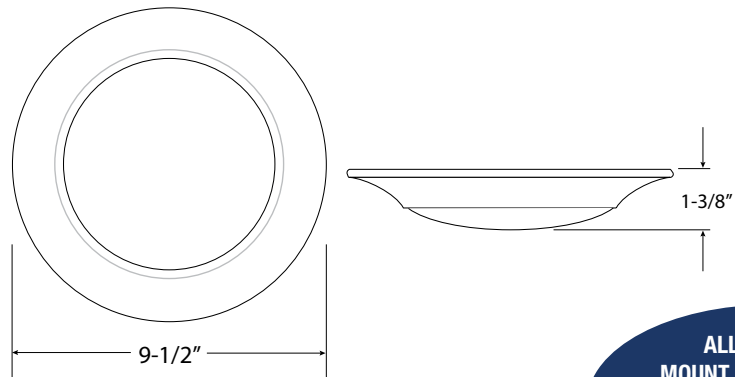
S4 Series
Page 144



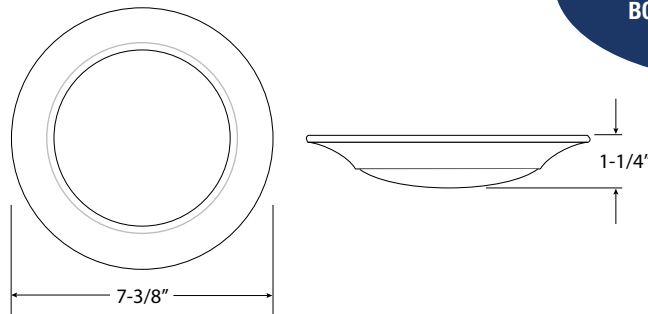
S6 Series
Page 144



S9 Series
Page 145



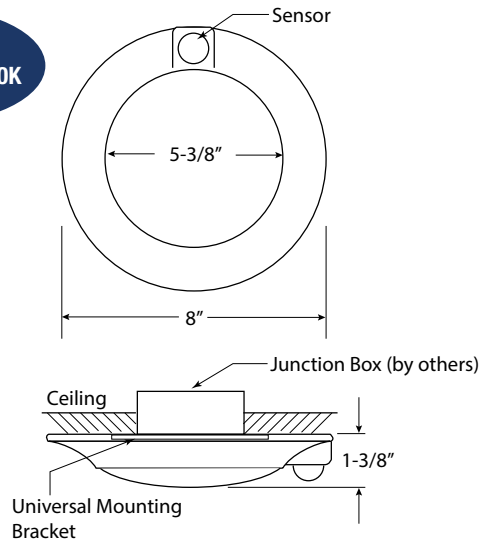
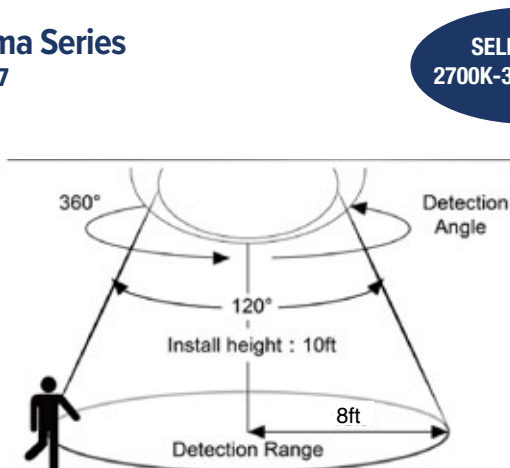
R6 Series
Page 146



ALL FIXTURES
MOUNT TO OCTAGONAL
JUNCTION BOX AND 4" JUNCTION
BOX WITH ROUND MUD
RING BY OTHERS

Proxima Series
Page 147

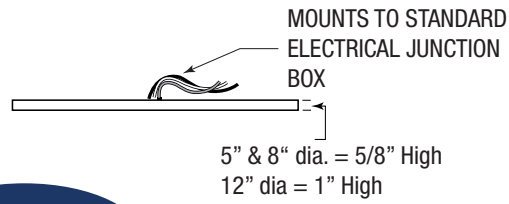
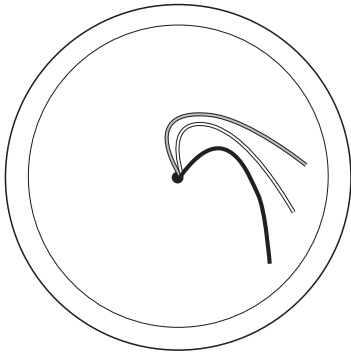
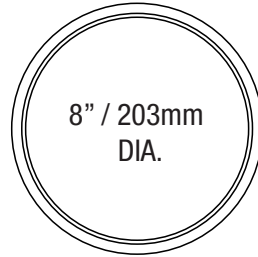
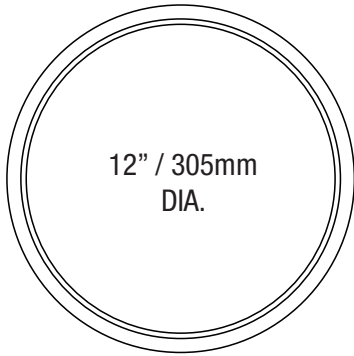
SELECTABLE
2700K-3000K-4000K



120V SURFACE MOUNT FIXTURE

GEOTASK™ Selectable

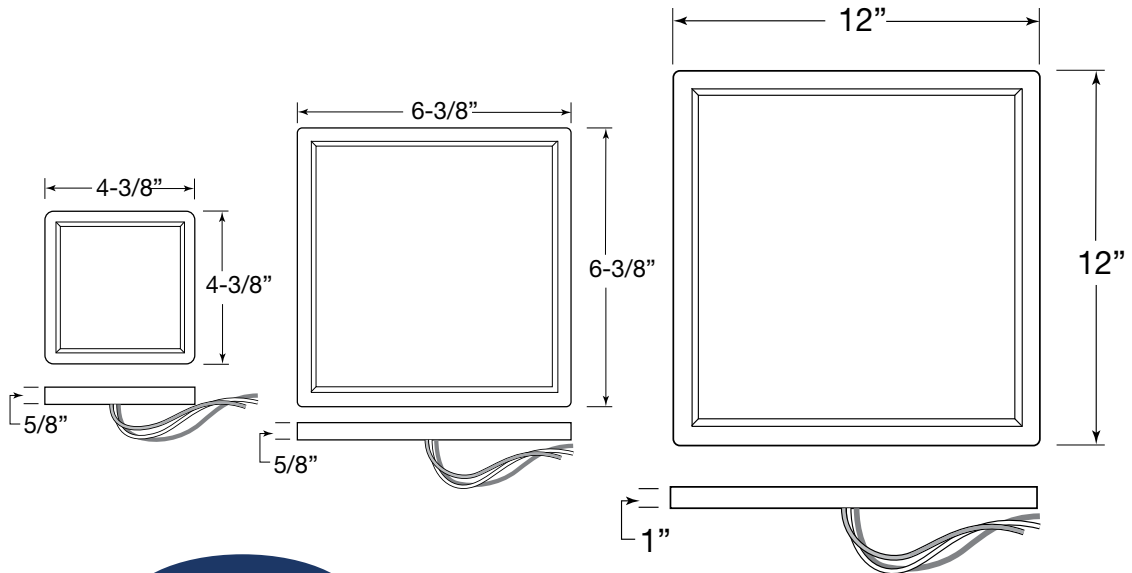
Series
Page 148



SELECTABLE
2700K-3000K-4000K

GEOTASK™ Series

Page 150



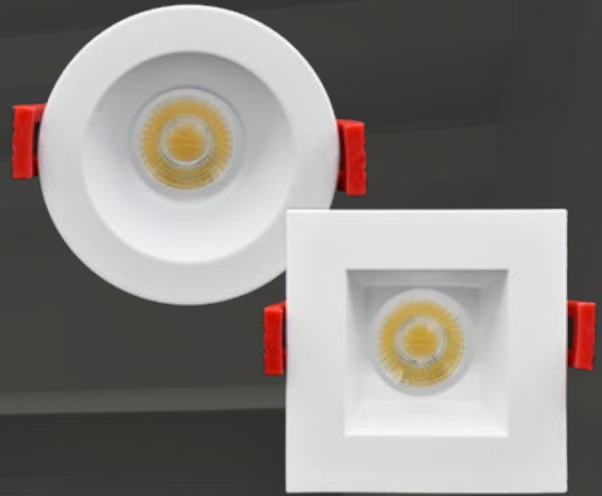
SELECTABLE
2700K-3000K-4000K

**ALL FIXTURES
MOUNT TO OCTAGONAL
JUNCTION BOX AND 4" JUNCTION
BOX WITH ROUND MUD
RING BY OTHERS**



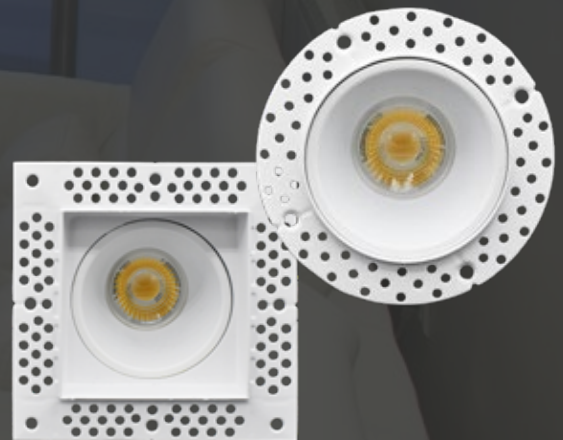


MiniTask Selectable Mini Downlights



120V MiniTask Downlights

| | |
|---------------------------------|-----|
| Round | 156 |
| Square | 156 |
| Round Adjustable | 157 |
| Round Trimless | 158 |
| Square Trimless | 158 |
| Round Adjustable Trimless | 158 |



MINITASK

120V RECESSED MOUNT

SELECTABLE LED

MINI DOWNLIGHTS

MINI SIZE
HIGH PERFORMANCE
MODERN LOOK

120 VOLT

JWET LOCATION

90+ CRI

TITLE 24

5 Yr. WARRANTY

ETL Intertek



MTR1/2-5CCT-W



MTS1/2-5CCT-W

PRODUCT DESCRIPTION

Low profile recessed MiniTask downlights with selectable 5CCT and 90+ CRI light source. Available in 1" and 2", round or square in white or black color. The fixture is fully dimmable. No power supply required.

NOTE: WET LOCATION LISTED FOR SHOWERS AND PROTECTED CEILINGS

Fixture dimensions: Page 159

KEY FEATURES

- 120V
- Multiple wattages
- Trim styles - square and round
- Trim sizes - 1" and 2"
- Finishes - black and white
- 5CCT selectable switch (2700K / 3000K / 3500K / 4000K / 5000K)
- Dimmable ELV
- 38° beam angle
- 90+ CRI
- Wet location

ORDERING INFORMATION

| Catalog No. | Dimensions | Format | Wattage | Color Temp. | Lumens in 3500K | CRI | Finish |
|-------------|------------|--------|---------|---|-----------------|-----|--------|
| MTR1-5CCT-W | 1" | Round | 7W | 5CCT Selectable: 2700K 3000K 3500K 4000K 5000K | 495lm | 90+ | White |
| MTR1-5CCT-B | 1" | Round | 7W | | 495lm | 90+ | Black |
| MTR2-5CCT-W | 2" | Round | 15W | | 1080lm | 90+ | White |
| MTR2-5CCT-B | 2" | Round | 15W | | 1080lm | 90+ | Black |
| MTS1-5CCT-W | 1" | Square | 7W | | 495lm | 90+ | White |
| MTS1-5CCT-B | 1" | Square | 7W | | 495lm | 90+ | Black |
| MTS2-5CCT-W | 2" | Square | 15W | | 1080lm | 90+ | White |
| MTS2-5CCT-B | 2" | Square | 15W | | 1080lm | 90+ | Black |

ACCESSORY

| Catalog No. | Description |
|--------------|--------------------------|
| CHDL-UNV-NCP | Universal Mounting Plate |

CUT-OUT DIMENSIONS:

- MTR2-5CCT: 2-5/8"
- MTS2-5CCT: 2-5/8"
- MTRA2-5CCT: 2-5/8"
- MTRT2-5CCT: 2-5/8"
- MTRAT2-5CCT: 3-1/8"

CUT-OUT DIMENSIONS:

- MTR1-5CCT: 2-1/8"
- MTS1-5CCT: 2-1/8"
- MTRA1-5CCT: 2-1/8"
- MTST2-5CCT: 2-13/16"

MINITASK 120V RECESSED MOUNT ROUND ADJUSTABLE SELECTABLE LED MINI DOWNLIGHTS

**RECESSED DOWNLIGHTS
IN MINI FORMAT
SMALLER SIZE
GREAT PERFORMANCE**

120 VOLT

JWET LOCATION

90+ CRI

TITLE 24

5 Yr. WARRANTY

ETL US Intertek



All MiniTask MT series downlights come with a junction box with 5CCT selectable switch.

PRODUCT DESCRIPTION

Round and adjustable recessed Mini Task selectable 5CCT downlights with a 90+ CRI light source. Available in 1" and 2" in white. The fixture is fully dimmable. No power supply required.

NOTE: WET LOCATION LISTED FOR SHOWERS AND PROTECTED CEILINGS

Fixture dimensions: Page 160

KEY FEATURES

- 120V
- Multiple wattages
- Round trim style
- Trim sizes - 1" and 2"
- Adjustable
- White finish
- 5CCT selectable switch (2700K / 3000K / 3500K / 4000K / 5000K)
- Dimmable ELV
- 38° beam angle
- 90+ CRI
- Wet location
- +/- 15° tilt range over 360°

ORDERING INFORMATION

| Catalog No. | Dimensions | Format | Wattage | Color Temp. | Lumens in 3500K | CRI | Finish |
|--------------|------------|------------------|---------|-----------------|-----------------|-----|--------|
| MTRA1-5CCT-W | 1" | Round Adjustable | 5W | 5CCT Selectable | 360lm | 90+ | White |
| MTRA2-5CCT-W | 2" | Round Adjustable | 8W | | 610lm | 90+ | White |

ACCESSORY

| Catalog No. | Description |
|--------------|--------------------------|
| CHDL-UNV-NCP | Universal Mounting Plate |



**Standard 6" Downlight 6-7/8" DIA.
MiniTask 1" Downlight 2-3/8" DIA.
POWERFUL DOWNLIGHT IN A MINI SIZE**

CUT-OUT DIMENSIONS:
MTR2-5CCT: 2-5/8"
MTS2-5CCT: 2-5/8"
MTRA2-5CCT: 2-5/8"
MTRT2-5CCT: 2-5/8"
MTRAT2-5CCT: 3-1/8"

CUT-OUT DIMENSIONS:
MTR1-5CCT: 2-1/8"
MTS1-5CCT: 2-1/8"
MTRA1-5CCT: 2-1/8"
MTST2-5CCT: 2-13/16"

**CHDL-UNV-NCP
New construction
plate**

MINITASK 120V RECESSED MOUNT TRIMLESS SELECTABLE LED MINI DOWNLIGHTS

**TRIMLESS OPTION
FOR A CLEAN AND
SEAMLESS FINISH**

**120
VOLT**

**90+
CRI**

**TITLE
24**

**5 Yr.
WARRANTY**

**ETL
US
Intertek**



MTRAT2-5CCT-W



MTST2-5CCT-W



MTRT2-5CCT-W

PRODUCT DESCRIPTION

GM Lighting's trimless Mini Task selectable 5CCT downlight with a 90+ CRI light source is available in 2", round or square in white. The fixture is fully dimmable. No power supply required. Perfect for new construction applications where a low profile trimless mini-downlight is required.

Fixture dimensions: Page 161

KEY FEATURES

- 120V
- Multiple wattages
- Trim styles - square and round
- Trim sizes - 2"
- Trimless or trimless adjustable formats
- White finish
- 5CCT selectable switch (2700K / 3000K / 3500K / 4000K / 5000K)
- Dimmable ELV
- 38° beam angle
- 90+ CRI
- Adjustable version: +/- 15° tilt range over 360°

ORDERING INFORMATION

| Catalog No. | Dimensions | Format | Wattage | Color Temp. | Lumens in 3500K | CRI | Finish |
|----------------------|------------|---------------------------|---------|---------------------------|-----------------|-----|--------|
| MTRT2-5CCT-W | 2" | Round Trimless | 15W | 5CCT Selectable: 2700K | 980lm | 90+ | White |
| MTST2-5CCT-W | 2" | Square Trimless | 15W | 3000K | 980lm | 90+ | White |
| MTRAT2-5CCT-W | 2" | Round Adjustable Trimless | 8W | 3500K 4000K 5000K | 595lm | 90+ | White |

ACCESSORY

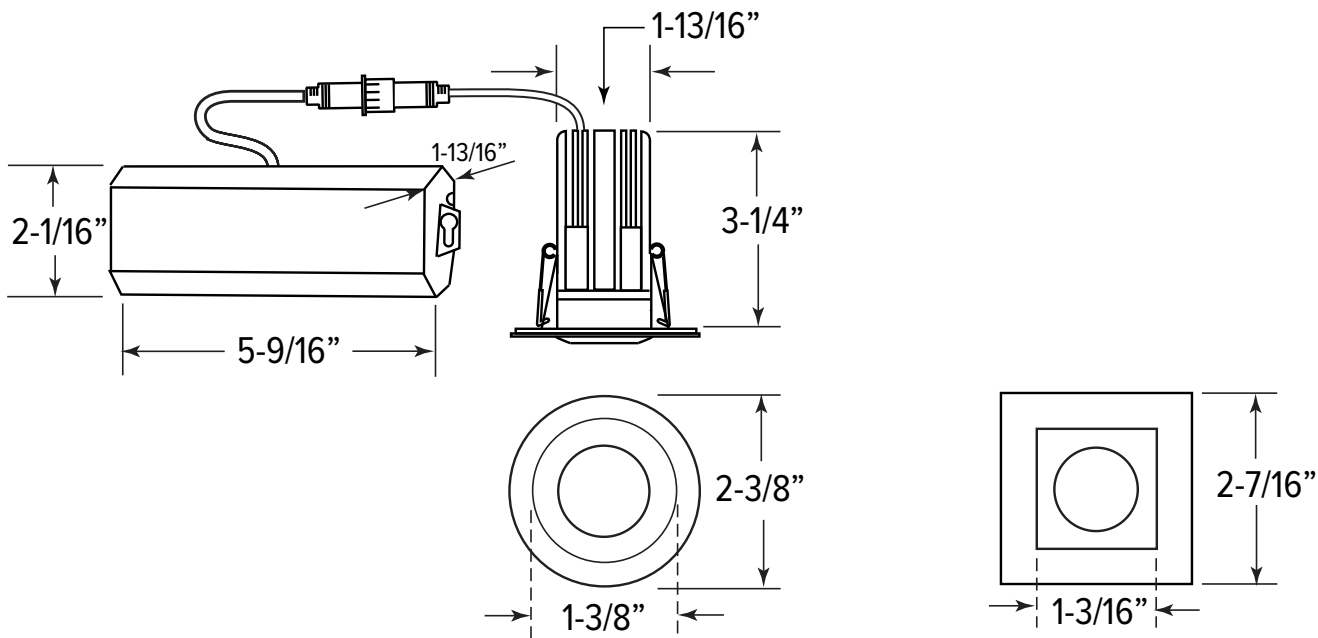
| Catalog No. | Description |
|---------------------|--------------------------|
| GHDL-UNV-NCP | Universal Mounting Plate |

CUT-OUT DIMENSIONS:
MTR2-5CCT: 2-5/8"
MTRT2-5CCT: 2-5/8"
MTRA2-5CCT: 2-5/8"
MTRT2-5CCT: 2-5/8"
MTRAT2-5CCT: 3-1/8"

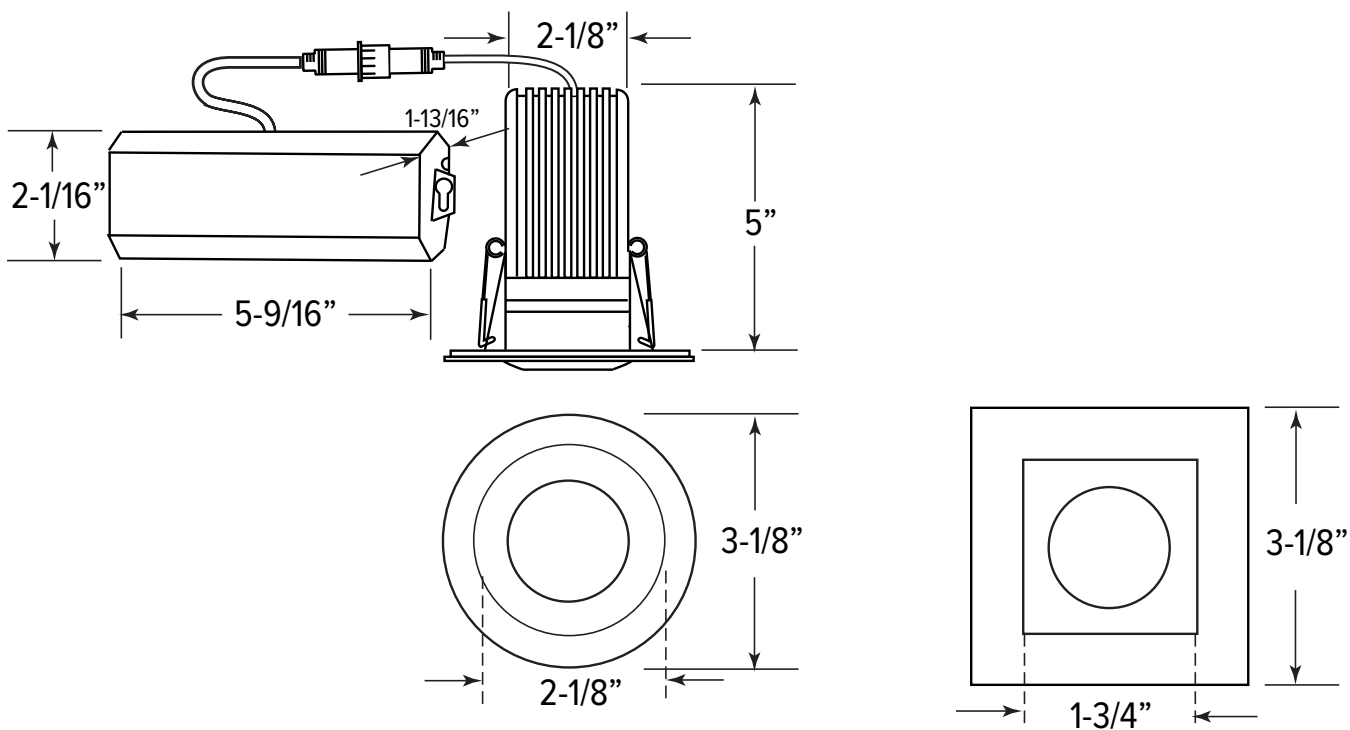
CUT-OUT DIMENSIONS:
MTR1-5CCT: 2-1/8"
MTR1-5CCT: 2-1/8"
MTRA1-5CCT: 2-1/8"
MTRT2-5CCT: 2-13/16"

DIAGRAMS

1" MiniTask Round / Square

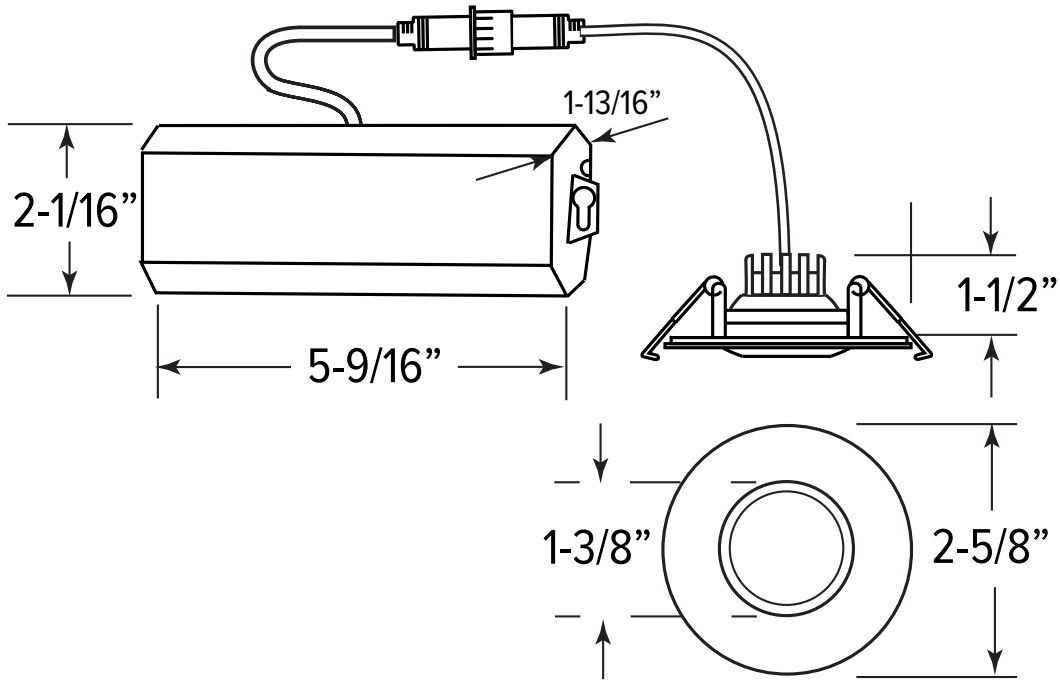


2" MiniTask Round / Square

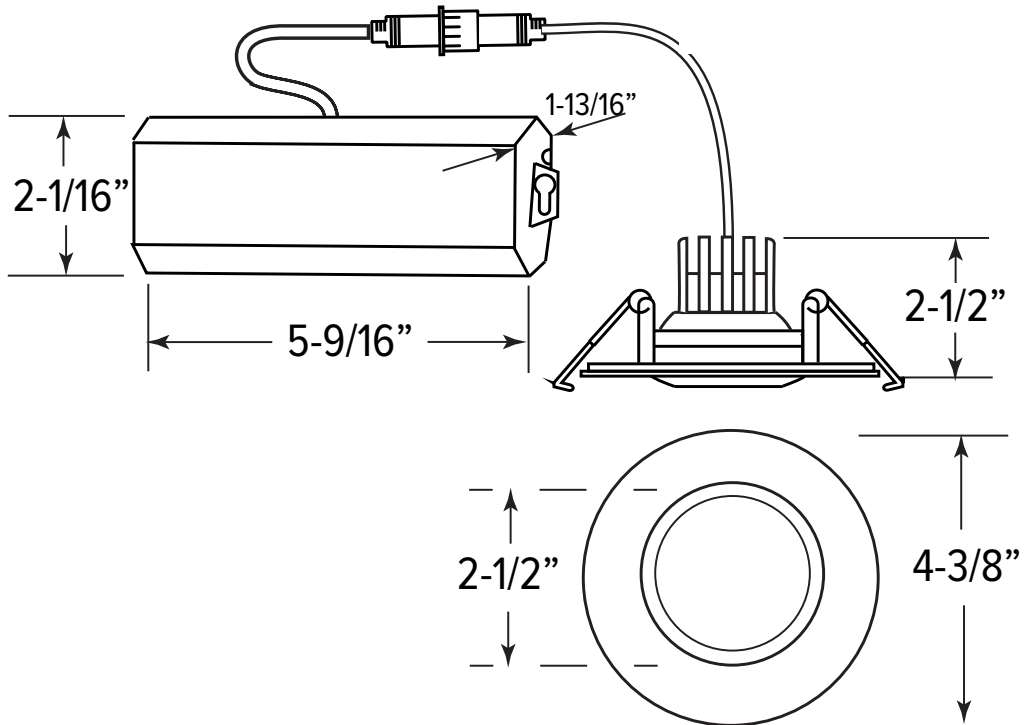


DIAGRAMS

1" MiniTask Round Adjustable

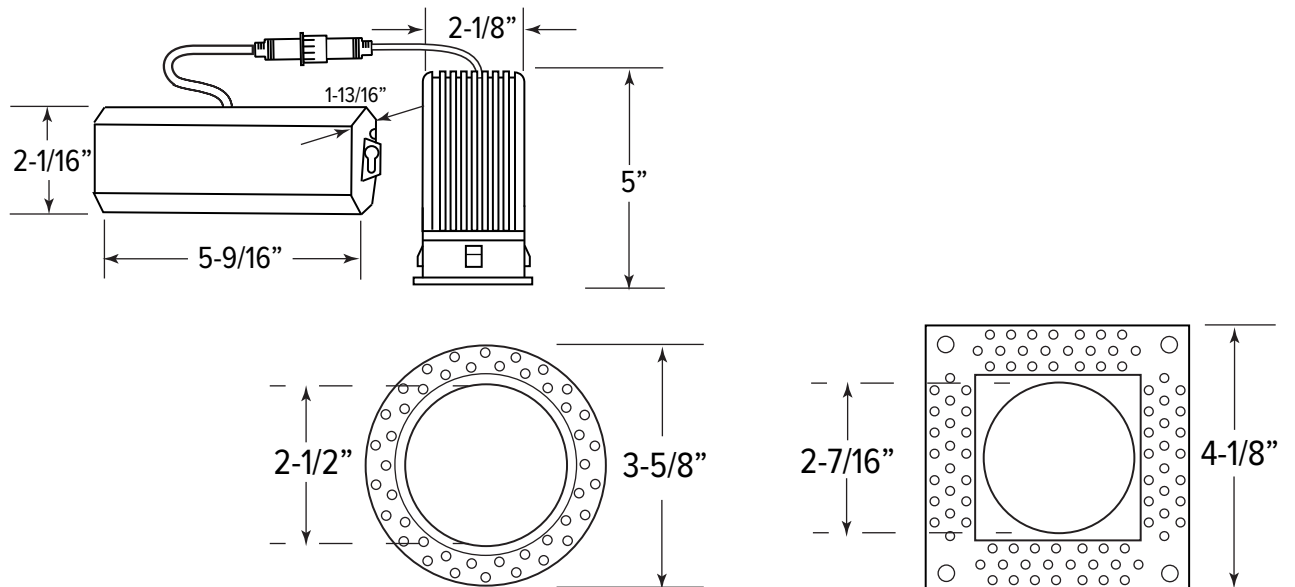


2" MiniTask Round Adjustable

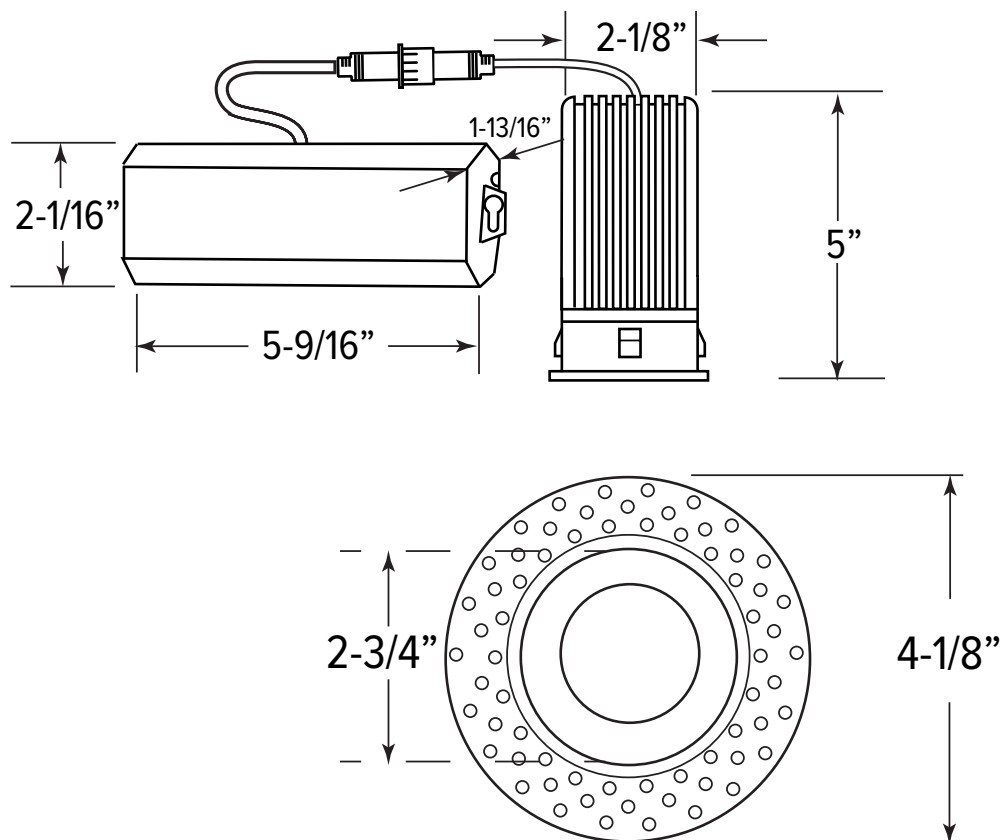


DIAGRAMS

2" MiniTask Round / Square Trimless



2" MiniTask Round Adjustable Trimless





Recessed Downlights



RSD 120V
REGRESSED SLIM DOWNLIGHT
SWITCHABLE WHITE 164



MICROTASK 120V MINI IC RATED
DOWNLIGHT..... 166
MICROTASK 4 120V IC RATED
DOWNLIGHT..... 168



12VDC 3W MINI-ADJUSTABLE
DOWNLIGHT..... 170



12VDC 6W MINI-ADJUSTABLE
DOWNLIGHT..... 171



120VAC 6W MINI-ADJUSTABLE
DOWNLIGHT..... 172

RSD 120V REGRESSED SLIM DOWNLIGHT SELECTABLE WHITE

120 VOLT

TITLE 24-JA8

27K 30K
40K

90+ CRI

JWET LOCATION

5Yr WARRANTY

ETL Intertek



PRODUCT DESCRIPTION

The RSD Regressed Slim Downlight is now selectable - with the ability to switch between 2700K, 3000K and 4000K, this Energy Star rated, wet location downlight enables a trio of lighting temperatures from one fixture.

NOTE: FOR INDOOR USE ONLY
Fixture dimensions: Page 174

KEY FEATURES

- 120V
- Selectable - 2700K, 3000K, 4000K
- Suitable for through wiring, meets Article 314 of the NEC code
- Dimmable (Triac)
- Shallow Mount
- 90+ CRI
- IP54 Wet Location
- 120° Beam Angle
- Edge-Lit Technology for diode-free illumination
- Title 24, Energy Star
- 5 year warranty



ORDERING INFORMATION

| Catalog No. | Diameter | Wattage | Lumens in 3000K | CRI | Finish |
|--------------|-------------|---------|-----------------|-----|--------|
| RSD-4-TUN-WH | 5-1/8" Dia. | 9W | 580 | 90+ | WHITE |
| RSD-6-TUN-WH | 6-7/8" Dia. | 12W | 930 | 90+ | WHITE |
| RSD-8-TUN-WH | 9" Dia. | 15W | 1050 | 90+ | WHITE |

ACCESSORIES

| Catalog No. | Description |
|------------------|--|
| RSD-TUN-5FT-EXT | 5' extension cord for RSD Series Downlights |
| RSD-TUN-10FT-EXT | 10' extension cord for RSD Series Downlights |
| RSD-TUN-20FT-EXT | 20' extension cord for RSD Series Downlights |
| UNV-NCP | New construction plate for all RSD Series Downlights |

PRODUCT NOTES:
Installation instructions and spec sheet available for download.
View this product on www.gmlighting.net

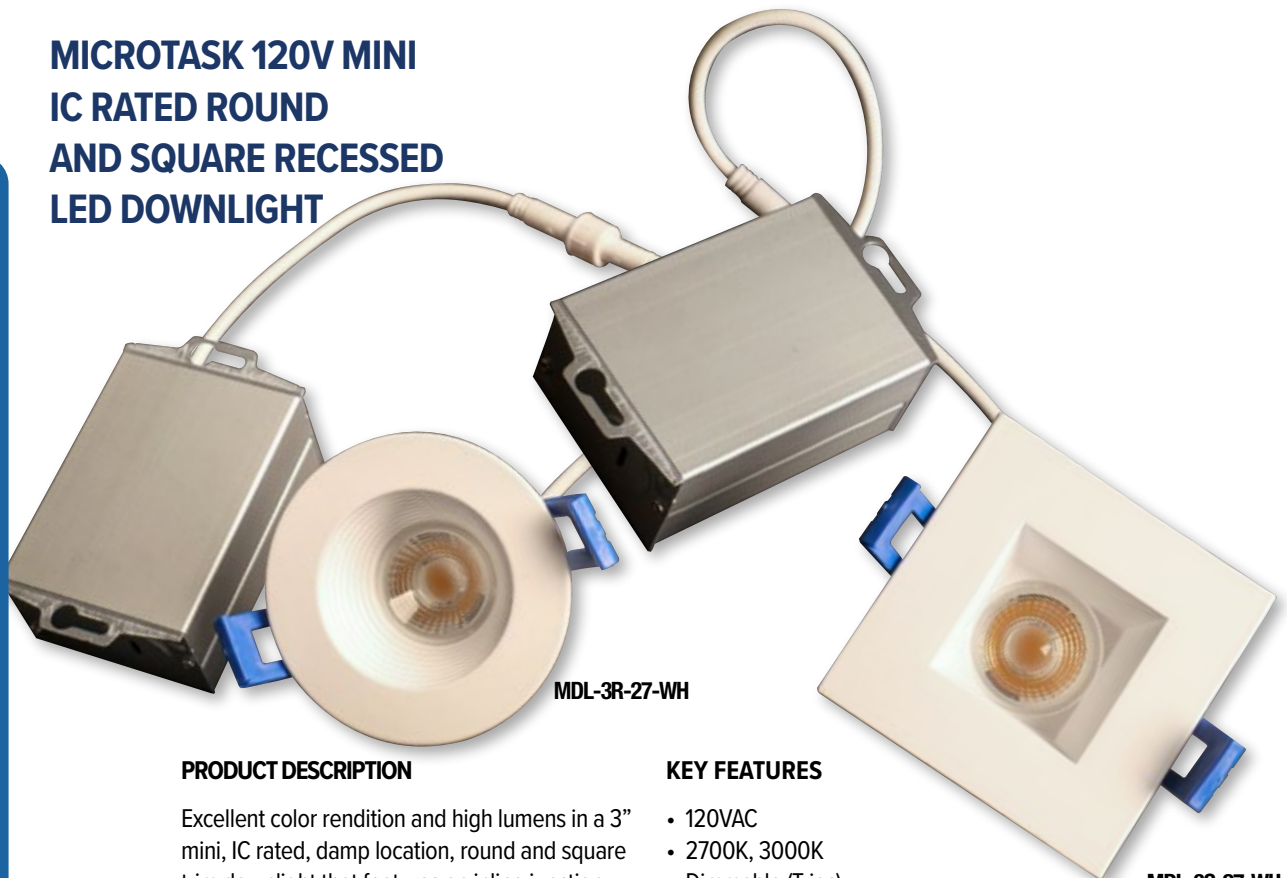


CUT-OUT DIMENSIONS:
RSD-4-TUN: 4-1/4" DIA.
RSD-6-TUN: 6-1/4" DIA.
RSD-8-TUN: 8-1/4" DIA.

UNV-NCP
New construction plates



MICROTASK 120V MINI IC RATED ROUND AND SQUARE RECESSED LED DOWNLIGHT



120 VOLT

DAMP LOCATION

90+ CRI

TITLE 24/JA8

IC RATED

5 Yr. WARRANTY

ETL Intertek

PRODUCT DESCRIPTION

Excellent color rendition and high lumens in a 3" mini, IC rated, damp location, round and square trim downlight that features an inline junction box connected by a modular twist connector. Perfect for any application. Available in 2700K or 3000K color temp. White semi-gloss finish. Fixture dimensions: Page 174

KEY FEATURES

- 120VAC
- 2700K, 3000K
- Dimmable (Triac)
- 38° beam spread
- 3-3/8" dia. x 1-1/2" depth (round trim)
- 3-1/2" square x 2-1/2" depth (square trim)
- 90+ CRI
- IC rated
- In-line junction box connected by 12" TwistLock cable
- Snap-in spring clips installation
- Title 24 and Energy Star
- Suitable for damp location
- 5 year warranty

MDL-3S-27-WH



ORDERING INFORMATION

| Catalog No. | Trim Shape | Trim Dimensions | Wattage | Lumens | Color Temp. | CRI | Finish |
|--------------|------------|----------------------------|---------|--------|-------------|-----|--------|
| MDL-3R-27-WH | Round | 3-3/8" dia. x 1-1/2" depth | 8W | 545 | 2700K | 90+ | White |
| MDL-3R-30-WH | Round | 3-3/8" dia. x 1-1/2" depth | 8W | 550 | 3000K | 90+ | White |
| MDL-3S-27-WH | Square | 3-1/2" SQ. x 2-1/2" depth | 8W | 550 | 2700K | 90+ | White |
| MDL-3S-30-WH | Square | 3-1/2" SQ. x 2-1/2" depth | 8W | 560 | 3000K | 90+ | White |

ACCESSORIES

| Catalog No. | Description |
|--------------|--|
| MDL-5FT-EXT | 5' extension cord for MDL Series Downlights |
| MDL-10FT-EXT | 10' extension cord for MDL Series Downlights |
| MDL-20FT-EXT | 20' extension cord for MDL Series Downlights |
| UNV-NCP | New construction plate for all MDL Series Downlights |



CUT-OUT DIMENSIONS:
MDL-3R: 2-3/4" DIA.
MDL-3S: 2-3/4" DIA.
MDL-3AR: 2-3/4" DIA.

CUT-OUT DIMENSIONS:
MDL-4R: 3-3/4" DIA.
MDL-4S: 3-3/4" DIA.
MDL-4AR: 4-1/4" DIA.

UNV-NCP
New construction plates

MICROTASK 120V MINI IC RATED ROUND ADJUSTABLE GIMBAL LED DOWNLIGHT

120 VOLT

DAMP LOCATION

90+ CRI

TITLE 24/JA8

IC RATED

5 Yr. WARRANTY

ETL Intertek



MDL-3AR-27-WH

PRODUCT DESCRIPTION

Excellent color rendition and high lumens in a 3" mini-adjustable, IC rated, damp location, round trim downlight that features an inline junction box connected by a modular twist connector. Perfect for any application. Available in 2700K or 3000K color temp. White semi-gloss finish.

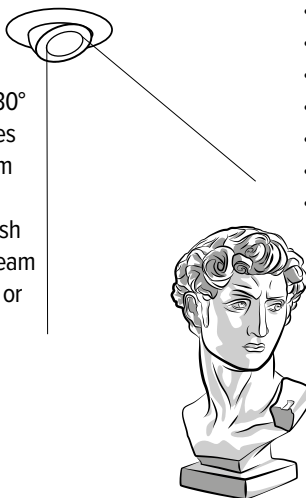
Fixture dimensions: Page 174

KEY FEATURES

- 120VAC
- 2700K, 3000K
- Dimmable (Triac)
- 38° beam spread
- 3-3/8" dia. x 1-1/2" depth (round adjustable trim)
- Adjustable gimbal (360° rotation - 30° tilt on axis)
- 90+ CRI
- IC rated
- In-line junction box connected by 12" TwistLock cable
- Adjustable gimbal (30° tilt on axis)
- Snap-in spring clips installation
- Title 24 and Energy Star
- Suitable for damp location
- Suitable for per NEC code
- 5 year warranty

MINI-WALL WASH

360° rotation and 30° adjustability enables you to put the beam where you want it. Either as a wall-wash or to focus a 38° beam angle on sculpture or objects 'd art.



ORDERING INFORMATION

| Catalog No. | Trim Shape | Trim Dimensions | Wattage | Lumens | Color Temp. | CRI | Finish |
|---------------|------------|----------------------------|---------|--------|-------------|-----|--------|
| MDL-3AR-27-WH | Round | 3-3/8" dia. x 1-1/2" depth | 8W | 545 | 2700K | 90+ | White |
| MDL-3AR-30-WH | Round | 3-3/8" dia. x 1-1/2" depth | 8W | 550 | 3000K | 90+ | White |

CUT-OUT DIMENSIONS: 2-3/4"

PRODUCT NOTES:

Installation instructions and spec sheet available for download.
View this product on www.gmlighting.net

MICROTASK 4 120V IC RATED ROUND, SQUARE AND ROUND RECESSED LED

120 VOLT

DAMP LOCATION

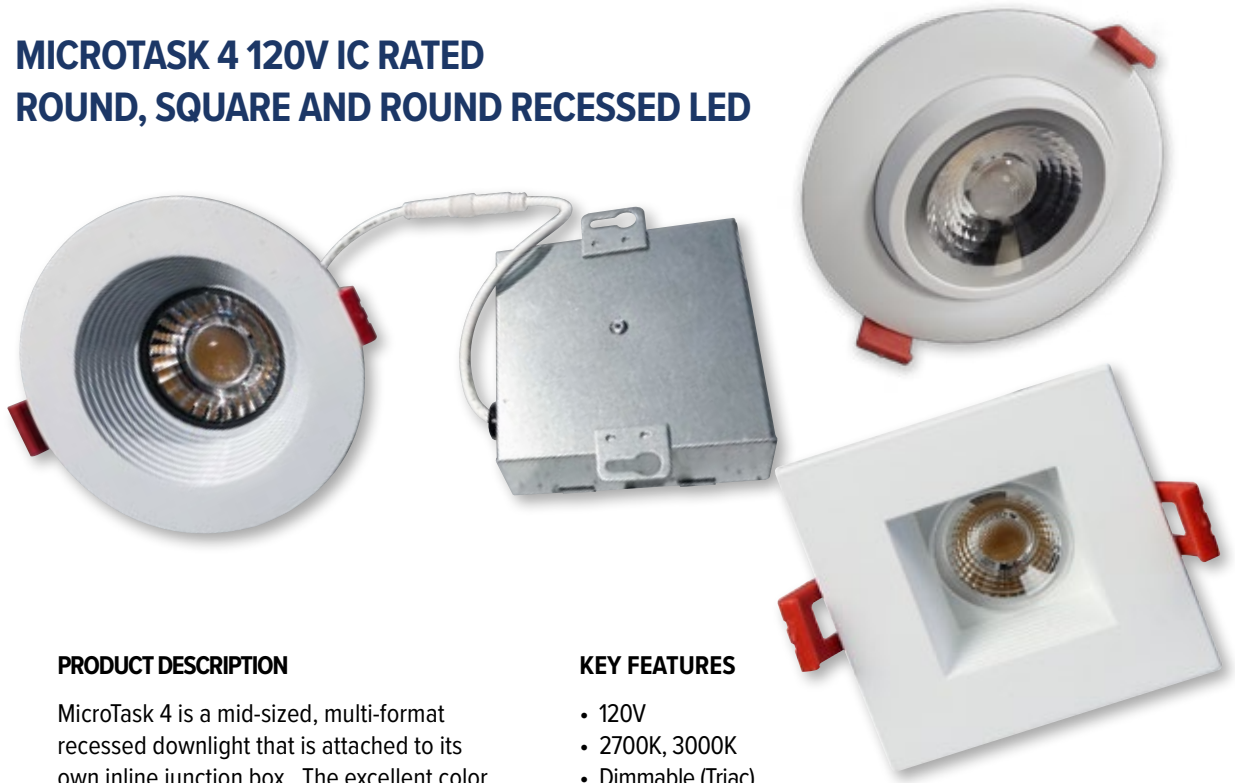
90+ CRI

TITLE 24/JA8

IC RATED

5 Yr. WARRANTY

ETL Intertek



PRODUCT DESCRIPTION

MicroTask 4 is a mid-sized, multi-format recessed downlight that is attached to its own inline junction box. The excellent color rendition and high lumens that is a signature of the MicroTask line is evident in this IC rated, damp location luminaire. Available in Round or Square deep regressed (virtually hiding the powerful LED source from view) or in an adjustable round gimbal format that enables 360° rotation and a generous 30° tilt on axis. White semi-gloss finish.

Fixture dimensions: Page 175

KEY FEATURES

- 120V
- 2700K, 3000K
- Dimmable (Triac)
- 38° beam spread
- 3-3/8" dia. x 1-1/2" depth (round trim)
- 3-1/2" square x 2-1/2" depth (square trim)
- 90+ CRI
- IC rated
- In-line junction box connected by 12" TwistLock cable
- Snap-in spring clips installation
- Title 24 and Energy Star
- Suitable for damp location
- 5 year warranty



ORDERING INFORMATION

| Catalog No. | Trim Shape | Trim Dimensions | Wattage | Lumens | Color Temp. | CRI | Finish |
|---------------|------------------|----------------------------|---------|--------|-------------|-----|--------|
| MDL-4R-27-WH | Round | 4-1/2" dia. x 3" depth | 15W | 975 | 2700K | 90+ | White |
| MDL-4R-30-WH | Round | 4-1/2" dia. x 3" depth | 15W | 1000 | 3000K | 90+ | White |
| MDL-4S-27-WH | Square | 4-1/2" SQ. x 3" depth | 15W | 975 | 2700K | 90+ | White |
| MDL-4S-30-WH | Square | 4-1/2" SQ. x 3" depth | 15W | 1000 | 3000K | 90+ | White |
| MDL-4AR-27-WH | Round Adjustable | 4-7/8" dia. x 2-1/4" depth | 11W | 875 | 2700K | 90+ | White |
| MDL-4AR-30-WH | Round Adjustable | 4-7/8" dia. x 2-1/4" depth | 11W | 900 | 3000K | 90+ | White |

ACCESSORIES

| Catalog No. | Description |
|--------------|--|
| MDL-5FT-EXT | 5' extension cord for MDL Series Downlights |
| MDL-10FT-EXT | 10' extension cord for MDL Series Downlights |
| MDL-20FT-EXT | 20' extension cord for MDL Series Downlights |
| UNV-NCP | New construction plate for all MDL Series Downlights |



PRODUCT NOTES:

Installation instructions and spec sheet available for download.
View this product on www.gmlighting.net

CUT-OUT DIMENSIONS:
MDL-3R: 2-3/4" DIA.
MDL-3S: 2-3/4" DIA.
MDL-3AR: 2-3/4" DIA.

CUT-OUT DIMENSIONS:
MDL-4R: 3-3/4" DIA.
MDL-4S: 3-3/4" DIA.
MDL-4AR: 4-1/4" DIA.

UNV-NCP
New construction plates



12VDC 3W MINI-DIMMABLE AND ADJUSTABLE LED DOWNLIGHT

12 VOLT

DRY LOCATION

CLASS 2

80+ CRI

DIM

5 Yr. WARRANTY

ETL Intertek



GMR4-WW-BA

MINI IN SIZE,
NOT IN
POWER!



PRODUCT DESCRIPTION

GM Lighting's GMR4-WW mini-downlight is a perfect compact luminaire that is well suited for book shelves, entertainment centers, elevators, and other applications where high performance lighting in a tight space is required. Available in white, black or brushed aluminum and fully dimmable.

Use only magnetic dimmable power supplies only, see power supply sections beginning on page 195. Fixture dimensions: Page 175

KEY FEATURES

- 12VDC operation
- 3000K
- Dimmable
- 2" dia. x 1-1/4" recess depth
- 30° adjustable gimbal
- 80+ CRI
- 120 lumens
- 30° beam spread
- 5 year warranty when used with GM power supplies

ORDERING INFORMATION

| Catalog No. | Dimensions | Wattage | Lumens | CRI | Color Temp | Finish |
|-------------|------------------------|---------|--------|-----|------------|------------------|
| GMR4-WW-W | 2" Dia. x 1-1/4" Depth | 3W | 120 | 80+ | 3000K | White |
| GMR4-WW-B | 2" Dia. x 1-1/4" Depth | 3W | 120 | 80+ | 3000K | Black |
| GMR4-WW-BA | 2" Dia. x 1-1/4" Depth | 3W | 120 | 80+ | 3000K | Brushed Aluminum |

Includes 48" leads

ACCESSORIES

| MINI LED ADJUSTABLE RECESSED DOWNLIGHT ACCESSORIES | |
|--|--|
| GMSB-W | Splice box - white - 2"L x 1"W x 5/8"D |
| GMSB-B | Splice box - black - 2"L x 1"W x 5/8"D |

PRODUCT NOTES:

Installation instructions and spec sheet available for download.
View this product on www.gmlighting.net

12VDC 6W MINI-DIMMABLE AND ADJUSTABLE LED DOWNLIGHT

GMR6-WW-BA



PRODUCT DESCRIPTION

Imagine an application where a low heat and lower profile mini-downlight is required. Now imagine GM Lighting's GMR6-WW, a mini-downlight with an 80+ CRI light source. Available in white, black or brushed aluminum, and fully dimmable.

Use only magnetic dimmable power supplies only, see power supply sections beginning on page 195. Fixture dimensions: Page 175

KEY FEATURES

- 12VDC
- 3000K
- Dimmable
- 2-7/8" dia. x 2-5/8" recess depth
- 30° adjustable gimbal
- 80+ CRI
- 375 lumens
- 30° beam spread
- 5 year warranty when used with GM power supplies

12
VOLT

DRY
LOCATION

CLASS
2

80+
CRI

DIM

5 Yr.
WARRANTY



ORDERING INFORMATION

| Catalog No. | Dimensions | Wattage | Lumens | CRI | Color Temp | Finish |
|-------------|----------------------------|---------|--------|-----|------------|------------------|
| GMR6-WW-W | 2-7/8" Dia. x 2-5/8" Depth | 6W | 375 | 80+ | 3000K | White |
| GMR6-WW-B | 2-7/8" Dia. x 2-5/8" Depth | 6W | 375 | 80+ | 3000K | Black |
| GMR6-WW-BA | 2-7/8" Dia. x 2-5/8" Depth | 6W | 375 | 80+ | 3000K | Brushed Aluminum |

Includes 48" leads

ACCESSORIES

| MINI LED ADJUSTABLE RECESSED DOWNLIGHT ACCESSORIES | |
|--|--|
| GMSB-W | Splice box - white - 2"L x 1"W x 5/8"D |
| GMSB-B | Splice box - black - 2"L x 1"W x 5/8"D |

PRODUCT NOTES:

Installation instructions and spec sheet available for download.
View this product on www.gmlighting.net

120VAC IC RATED MINI-DIMMABLE AND ADJUSTABLE LED DOWNLIGHT

120 VOLT

DAMP LOCATION

90+ CRI

IC RATED

TITLE 24

5 Yr. WARRANTY

ETL Intertek



GMR6-120V-IC-SP-BA

USE THE INCLUDED TEMPLATE FOR INSTALLATION HOLE.

PRODUCT DESCRIPTION

GM Lighting's 120VAC 6W Mini LED Adjustable Shallow Recessed Downlight packs a lot of performance in a compact, easy to install dimmable luminaire. 3-3/4" optional white only trim ring is included with each fixture.

KEY FEATURES

- 120VAC
- 3000K
- Dimmable
- 3-1/4" dia. x 3-3/4" recess depth
- 30° adjustable gimbal
- 90+ CRI
- Up to 500 lumens
- 24°, 38°, 55° beam spreads
- 5 year warranty

Fixture dimensions: Page 175

ORDERING INFORMATION

| Catalog No. | Dimensions | Wattage | Beam Spread | Lumens | CRI | Color Temp | Finish |
|---------------------|----------------------------|---------|-------------|--------|-----|------------|------------------|
| GMR6-120V-IC-SP-W | 3-1/4" Dia. x 3-3/4" Depth | 6W | 24° | 500 | 90+ | 3000K | White |
| GMR6-120V-IC-FL-W | 3-1/4" Dia. x 3-3/4" Depth | 6W | 38° | 455 | 90+ | 3000K | White |
| GMR6-120V-IC-WFL-W | 3-1/4" Dia. x 3-3/4" Depth | 6W | 55° | 467 | 90+ | 3000K | White |
| GMR6-120V-IC-SP-B | 3-1/4" Dia. x 3-3/4" Depth | 6W | 24° | 500 | 90+ | 3000K | Black |
| GMR6-120V-IC-FL-B | 3-1/4" Dia. x 3-3/4" Depth | 6W | 38° | 455 | 90+ | 3000K | Black |
| GMR6-120V-IC-WFL-B | 3-1/4" Dia. x 3-3/4" Depth | 6W | 55° | 467 | 90+ | 3000K | Black |
| GMR6-120V-IC-SP-BA | 3-1/4" Dia. x 3-3/4" Depth | 6W | 24° | 500 | 90+ | 3000K | Brushed Aluminum |
| GMR6-120V-IC-FL-BA | 3-1/4" Dia. x 3-3/4" Depth | 6W | 38° | 455 | 90+ | 3000K | Brushed Aluminum |
| GMR6-120V-IC-WFL-BA | 3-1/4" Dia. x 3-3/4" Depth | 6W | 55° | 467 | 90+ | 3000K | Brushed Aluminum |

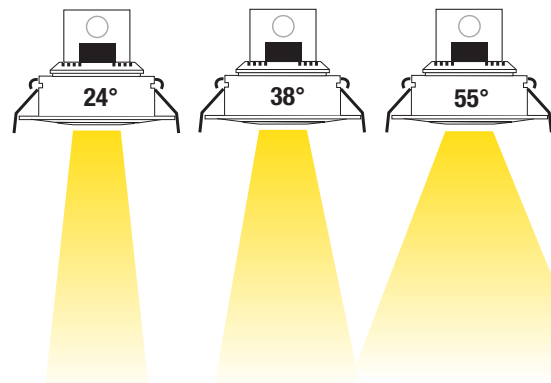
Includes 48" leads

ACCESSORIES

| GMR6 120V TRIM RING ACCESSORY (1 INCLUDED WITH FIXTURE) | |
|---|--|
| OTR-WH | Optional 3-3/4" trim ring - white |
| OTR-B | Optional 3-3/4" trim ring - black |
| OTR-BA | Optional 3-3/4" trim ring - brushed nickel |

PRODUCT NOTES:

Installation instructions and spec sheet available for download.
View this product on www.gmlighting.net

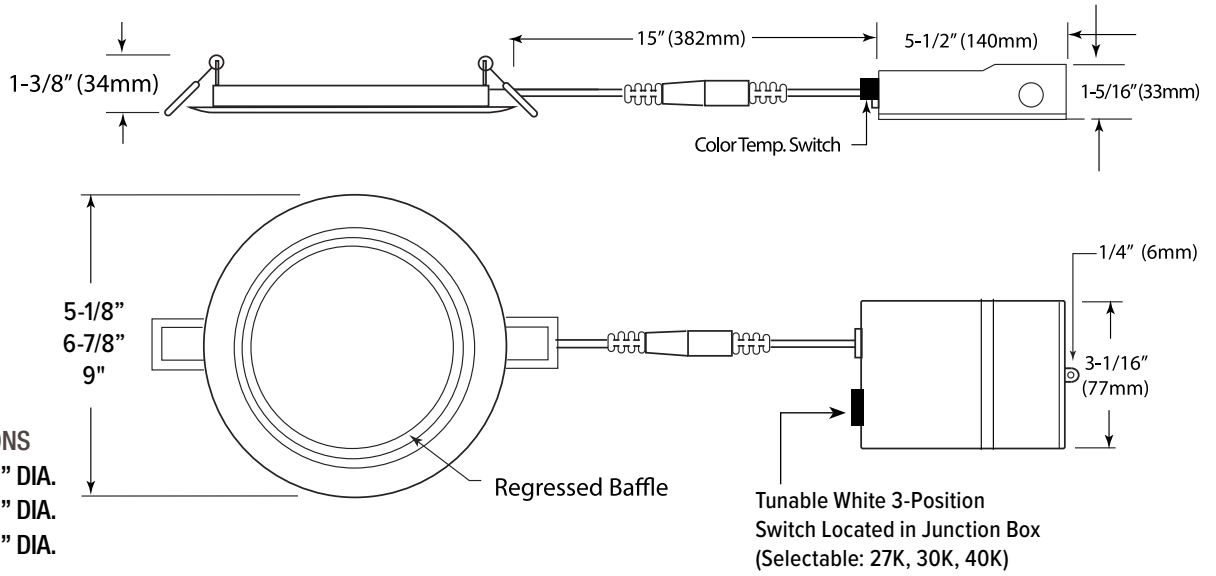




RECESSED DOWNLIGHTS DIAGRAMS

RSD REGRESSED SLIM DOWNLIGHT Series

Page 164

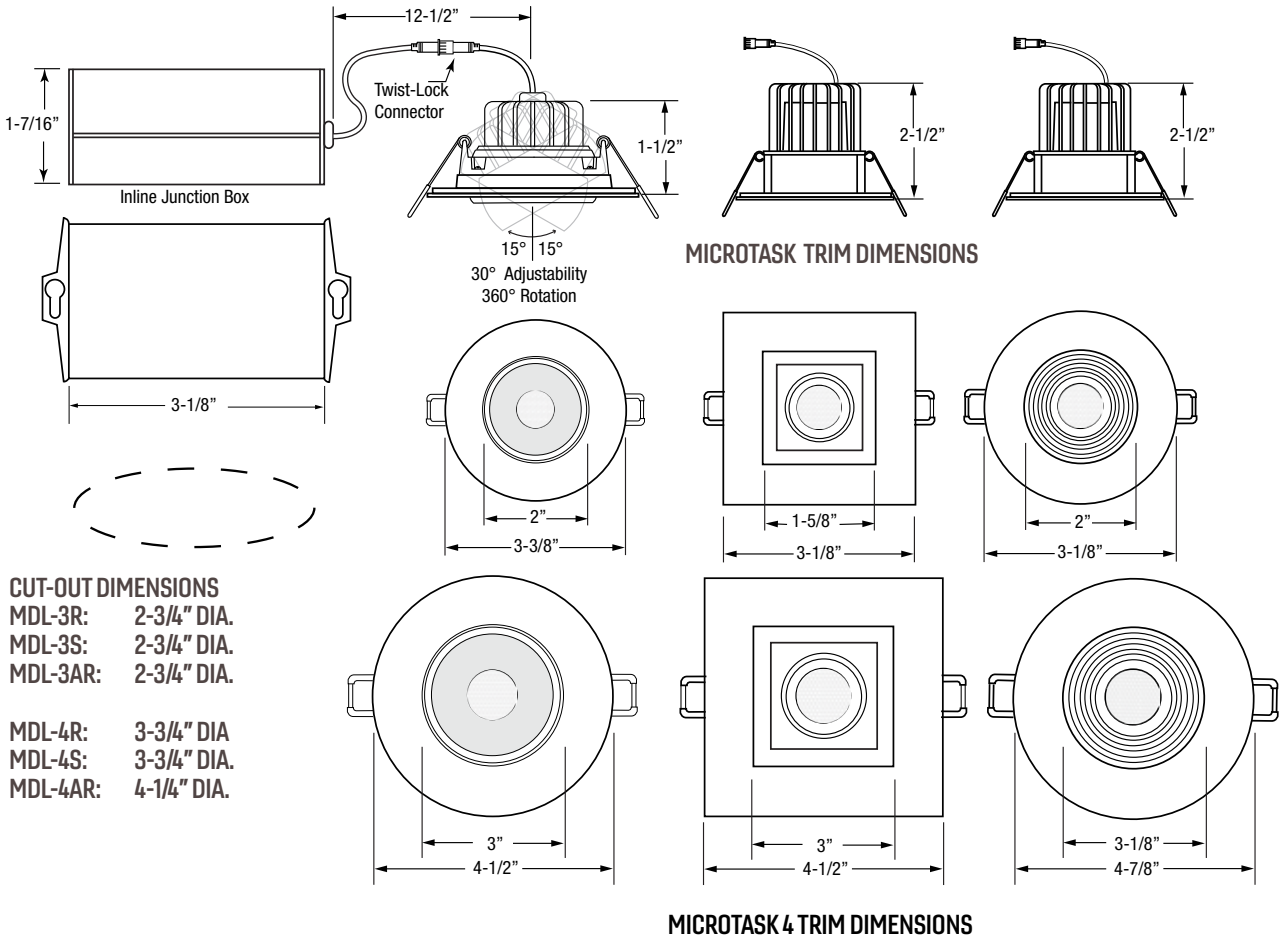


CUT-OUT DIMENSIONS

- RSD-4-TUN: 4-1/4" DIA.
- RSD-6-TUN: 6-1/4" DIA.
- RSD-8-TUN: 8-1/4" DIA.

MICROTASK ADJUSTABLE IC RATED Series

Page 166-168

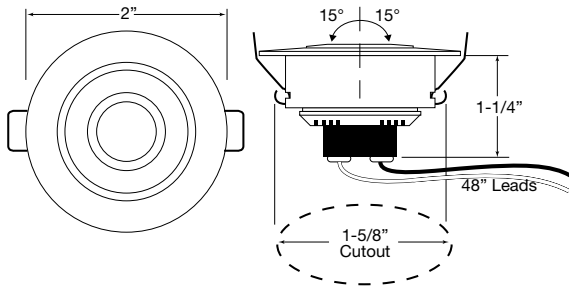


CUT-OUT DIMENSIONS

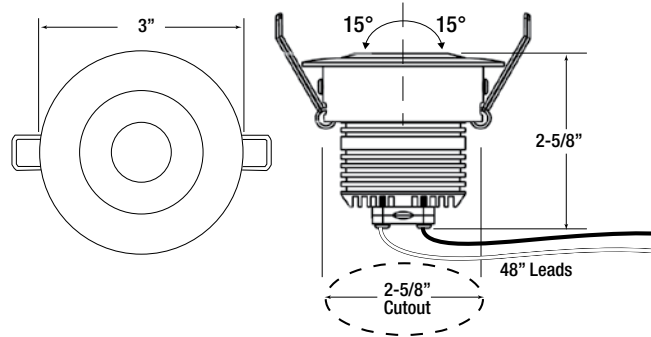
- MDL-3R: 2-3/4" DIA.
- MDL-3S: 2-3/4" DIA.
- MDL-3AR: 2-3/4" DIA.
- MDL-4R: 3-3/4" DIA.
- MDL-4S: 3-3/4" DIA.
- MDL-4AR: 4-1/4" DIA.

RECESSED DOWNLIGHTS DIAGRAMS

3W MINI-DIMMABLE AND ADJUSTABLE DOWNLIGHT Series Page 170

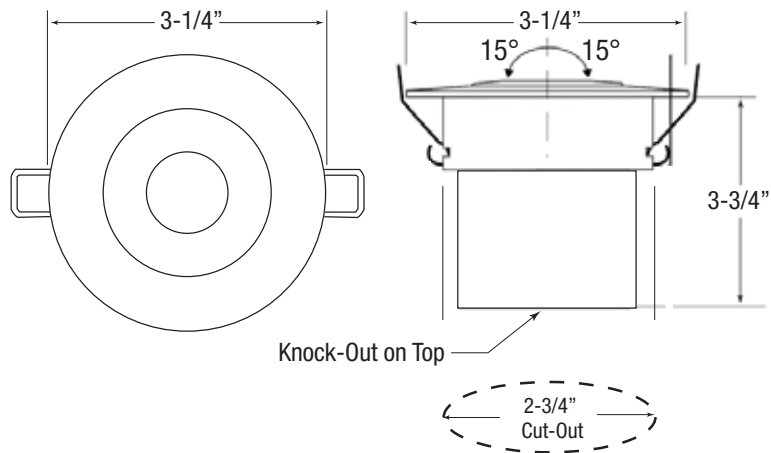


6W MINI-DIMMABLE AND ADJUSTABLE DOWNLIGHT Series Page 171



120V IC RATED MINI-DIMMABLE AND ADJUSTABLE DOWNLIGHT Series Page 172

USE THE
INCLUDED TEMPLATE
FOR INSTALLATION HOLE



DOWNLIGHTS COMPARATIVE ANALYSIS

| Downlight Series | Voltage | Wattage | Dimensions | Mounting Depth | CRI | Lumens | Color Temps |
|---|---------|----------------|---------------------------------------|----------------|-----|---|---|
| RSD SERIES | 120V | 9W, 12W 15W | 5-1/8" Dia. 6-7/8" Dia. 9" Dia. | 1-1/4" | 90+ | 30K - 325 / 40K - 355 5-1/8" Selectable: 500, 525, 550 6-7/8" Selectable: 700, 725, 750 9" Selectable: 900, 925, 950 | 2700K, 3000K 4000K All other dia. Selectable: 2700K, 3000K, 4000K |
| MICROTASK 3 SERIES | 120V | 8W | 3-1/8" dia. / 3-3/8" | 1-1/2" | 90+ | 27K - 545 / 30K - 550 | 2700K, 3000K |
| MICROTASK 4 SERIES | 120V | 15W | 4-1/2" dia. / 4-7/8" | 3" / 2-1/4" | 90+ | 27K - 975 / 30K - 1000 | 2700K, 3000K |
| 3W MINI-DIMMABLE SERIES | 12VDC | 3W | 2" dia. | 1-1/4" | 80+ | 120 | 3000K |
| 6W MINI-DIMMABLE ADJUSTABLE SERIES | 12VDC | 6W | 2-7/8" dia. | 2-5/8" | 80+ | 375 | 3000K |
| 120V IC RATED MINI-DIMMABLE ADJUSTABLE SERIES | 120VAC | 6W | 3-1/4" dia. | 3-3/4" | 90+ | 24° Beam - 500 38° Beam - 455 55° Beam - 467 | 3000K |

Specifications are subject to change without notice. Please refer to website (www.gmlighting.net) for the latest specification info

PRODUCT NOTES:

Installation instructions and spec sheet available for download.
View this product on www.gmlighting.net



Step and Pathway Lighting



120V WET LOCATION
LED STEP LIGHT
PAGE 178



120V BRICK LIGHT
HORIZONTAL LED LIGHT
PAGE 182



12VDC WET LOCATION
LED PATHWAY LIGHT
PAGE 186



120V LED STEP LIGHT

120 VOLT

JWET LOCATION

80+ CRI

5 Yr. WARRANTY

ETL Intertek



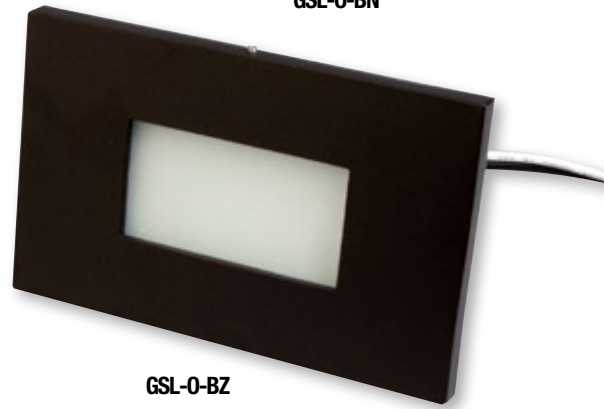
GSL-LH-W



GSL-LV-B



GSL-O-BN



GSL-O-BZ

PRODUCT DESCRIPTION

GM Lighting's new take on step lighting has resulted in this extensive collection of modern step lights that fits standard junction boxes. Available in horizontal and vertical formats, open lensed, vertical and horizontal louvers, and in horizontal scoop formats. Perfect for step lighting, path lighting, deck lighting in stairs, posts or railings.

Fixture dimensions: Page 180

KEY FEATURES

- 120V
- 3000K
- No visible mounting hardware
- Mounts to standard J-Box (by others)
- 145 lumens
- Suitable for wet location
- ETL
- 5 year warranty

ORDERING INFORMATION

| Catalog No. | Style | Wattage | Lumens | CRI | Color Temp | Finish |
|-------------|----------------------------|---------|--------|-----|------------|----------------|
| GSL-O-B | Horizontal / Vertical Trim | 2W | 145 | 80+ | 3000K | Black |
| GSL-O-BN | Horizontal / Vertical Trim | 2W | 145 | 80+ | 3000K | Brushed Nickel |
| GSL-O-BZ | Horizontal / Vertical Trim | 2W | 145 | 80+ | 3000K | Bronze |
| GSL-O-WH | Horizontal / Vertical Trim | 2W | 145 | 80+ | 3000K | White |
| GSL-LH-B | Louvered Horizontal Trim | 2W | 145 | 80+ | 3000K | Black |
| GSL-LH-BN | Louvered Horizontal Trim | 2W | 145 | 80+ | 3000K | Brushed Nickel |
| GSL-LH-BZ | Louvered Horizontal Trim | 2W | 145 | 80+ | 3000K | Bronze |
| GSL-LH-WH | Louvered Horizontal Trim | 2W | 145 | 80+ | 3000K | White |
| GSL-LV-B | Louvered Vertical Trim | 2W | 145 | 80+ | 3000K | Black |
| GSL-LV-BN | Louvered Vertical Trim | 2W | 145 | 80+ | 3000K | Brushed Nickel |
| GSL-LV-BZ | Louvered Vertical Trim | 2W | 145 | 80+ | 3000K | Bronze |
| GSL-LV-WH | Louvered Vertical Trim | 2W | 145 | 80+ | 3000K | White |

PRODUCT NOTES:

- Not suitable for salt water or chlorine pool environments.
- Not marine grade.
- Installation instructions and spec sheet available for download.
- View this product on www.gmlighting.net

120V LED STEP LIGHT



GSL-H-BN



GSL-H-B



GSL-V-BN

PRODUCT DESCRIPTION

Clean and modern look for all of your step and pathway lighting needs that features a discreet light source in a scoop trim, with no visible mounting hardware. All of the features and benefits as shown on previous page. Black, White, Bronze and Brushed Nickel.

Fixture dimensions: Page 180

KEY FEATURES

- 120V
- 3000K
- No visible mounting hardware
- Mounts to standard J-Box (by others)
- 145 lumens
- Suitable for wet location
- ETL
- 5 year warranty

ORDERING INFORMATION

| Catalog No. | Style | Wattage | Lumens | CRI | Color Temp | Finish |
|-------------|-----------------------|---------|--------|-----|------------|----------------|
| GSL-H-B | Horizontal Scoop Trim | 2W | 145 | 80+ | 3000K | Black |
| GSL-H-BN | Horizontal Scoop Trim | 2W | 145 | 80+ | 3000K | Brushed Nickel |
| GSL-H-BZ | Horizontal Scoop Trim | 2W | 145 | 80+ | 3000K | Bronze |
| GSL-H-WH | Horizontal Scoop Trim | 2W | 145 | 80+ | 3000K | White |
| GSL-V-B | Vertical Scoop Trim | 2W | 145 | 80+ | 3000K | Black |
| GSL-V-BN | Vertical Scoop Trim | 2W | 145 | 80+ | 3000K | Brushed Nickel |
| GSL-V-BZ | Vertical Scoop Trim | 2W | 145 | 80+ | 3000K | Bronze |
| GSL-V-WH | Vertical Scoop Trim | 2W | 145 | 80+ | 3000K | White |

PRODUCT NOTES:

Not suitable for salt water or chlorine pool environments.
 Installation instructions and spec sheet available for download.
 View this product on www.gmlighting.net

Watch the Step Light Video!

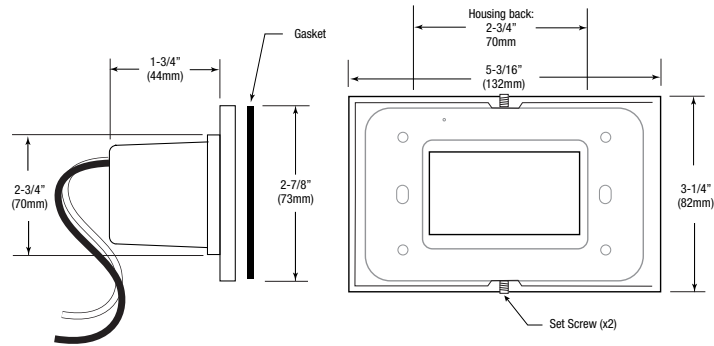
Watch how easy it is to install our step lights.



120V WET LOCATION LED STEP LIGHT DIAGRAMS Pages 178-179

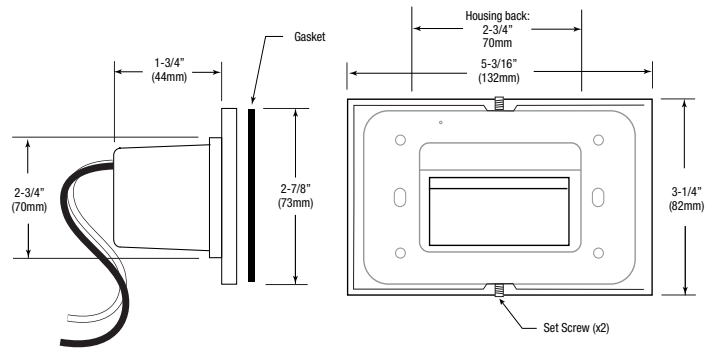
GSL-O-SERIES OPEN LENS HORIZONTAL OR VERTICAL MOUNT

Mounts to standard
single-gang box by others.



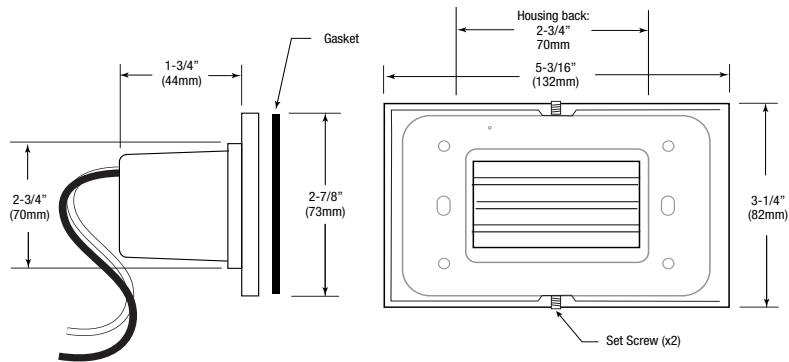
GSL-H-SERIES SCOOP LENS HORIZONTAL MOUNT (VERTICAL MOUNT AVAILABLE)

Mounts to standard
single-gang box by others.



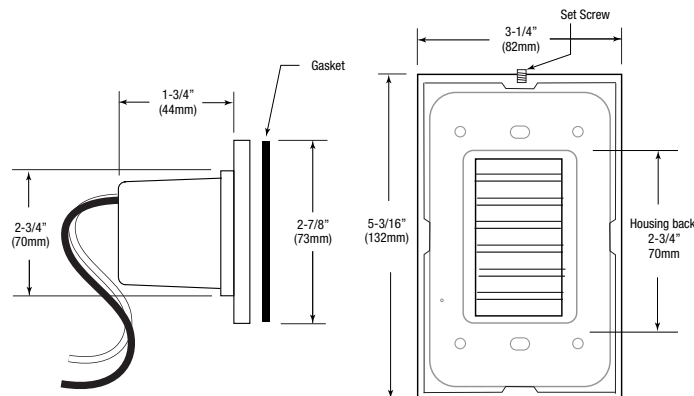
GSL-LH-SERIES LOUVERED LENS HORIZONTAL MOUNT

Mounts to standard
single-gang box by others.



GSL-LV-SERIES LOUVERED LENS VERTICAL MOUNT

Mounts to standard
single-gang box by others.





120V LED BRICK LIGHT

120 VOLT

JWET LOCATION

80+ CRI

5 Yr. WARRANTY

IP 66

ETL Intertek

PRODUCT DESCRIPTION

GM Lighting's new take on brick lighting has resulted in this extensive collection of modern brick lights. Available in horizontal scoop, open horizontal and horizontal louver formats. Perfect for step lighting, path lighting, deck lighting in stairs or railings.

Fixture dimensions: Page 183

KEY FEATURES

- 120VAC, 60Hz
- 5W
- 3000K color temperature
- 80+ CRI
- No visible mounting hardware
- Dry and Wet location. Not for marine environments.
- IP66 rated housing
- Four Finishes: White, Black, Bronze and Brushed Nickel
- Three Horizontal Faceplate Options: Open, Scoop and Louver
- Die-cast zinc magnesium rough-in housing
- ETL listed for wet locations



GBL-FPLV-BZ



GBL-FPH-WH



GBL-FPO-BN

ORDERING INFORMATION

| GMR6 120V TRIM RING ACCESSORY | |
|-------------------------------|---|
| GBL-MO | Rough-in housing for open (FPO) and louver (FPLV) faceplate |
| GBL-MR | Rough-in housing for horizontal scoop (FPH) faceplate |

All Brick Light rough-in housings include set of 2 leveling brackets and screws.

ORDERING EXAMPLE:

1. **GBL-MO** Rough-in Housing
2. **GBL-FPO-WH** Faceplate (ordered separately)

TRIM PLATES

| Catalog No. | Style | Finish |
|--------------------|--------------------------|----------------|
| GBL-FPO-WH | Horizontal Open Trim | White |
| GBL-FPO-B | Horizontal Open Trim | Black |
| GBL-FPO-BZ | Horizontal Open Trim | Bronze |
| GBL-FPO-BN | Horizontal Open Trim | Brushed Nickel |
| GBL-FPLV-WH | Horizontal Louvered Trim | White |
| GBL-FPLV-B | Horizontal Louvered Trim | Black |
| GBL-FPLV-BZ | Horizontal Louvered Trim | Bronze |
| GBL-FPLV-BN | Horizontal Louvered Trim | Brushed Nickel |
| GBL-FPH-WH | Horizontal Scoop Trim | White |
| GBL-FPH-B | Horizontal Scoop Trim | Black |
| GBL-FPH-BZ | Horizontal Scoop Trim | Bronze |
| GBL-FPH-BN | Horizontal Scoop Trim | Brushed Nickel |

ACCESSORIES

| | |
|----------------|---|
| GBL-SMB | (2) Brick Light Stud Mounting Brackets (Hanger Bars) w/Screws |
|----------------|---|



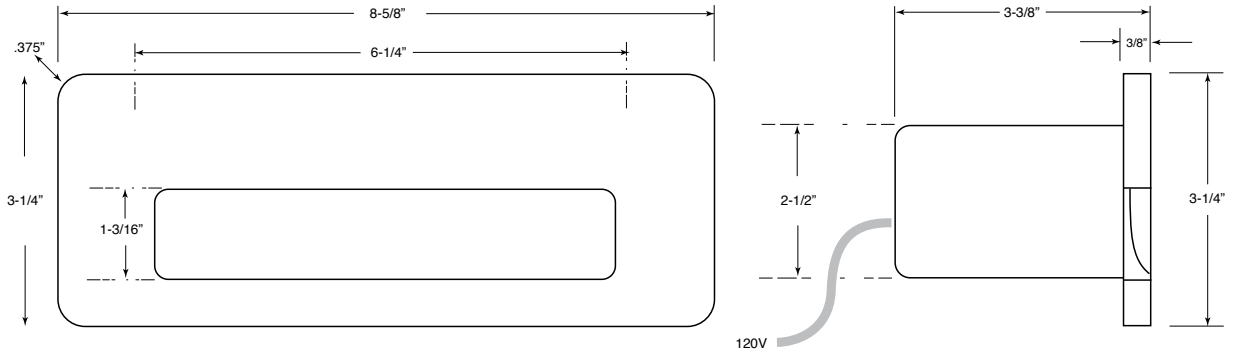
GBL-MO Rough-in housing and **GBL-FPO-B** Horizontal open trim in black.



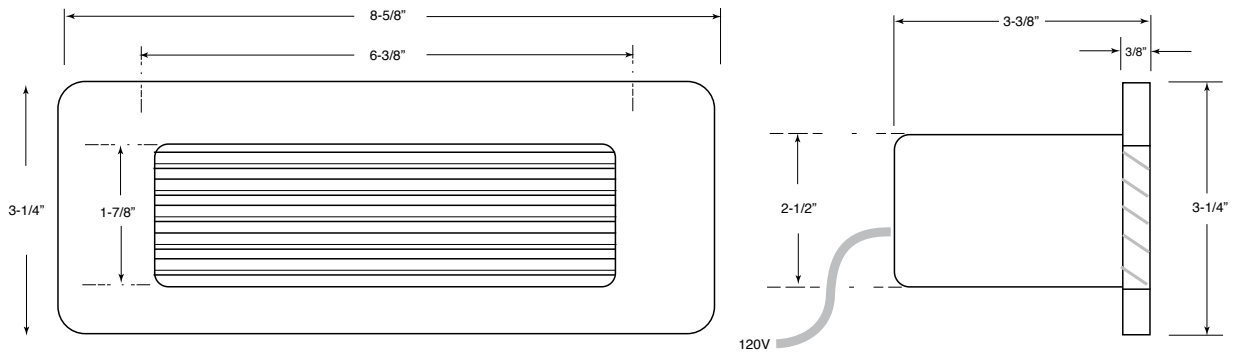
GBL-SMB Hanger Bars

120V BRICK LIGHT DIAGRAMS

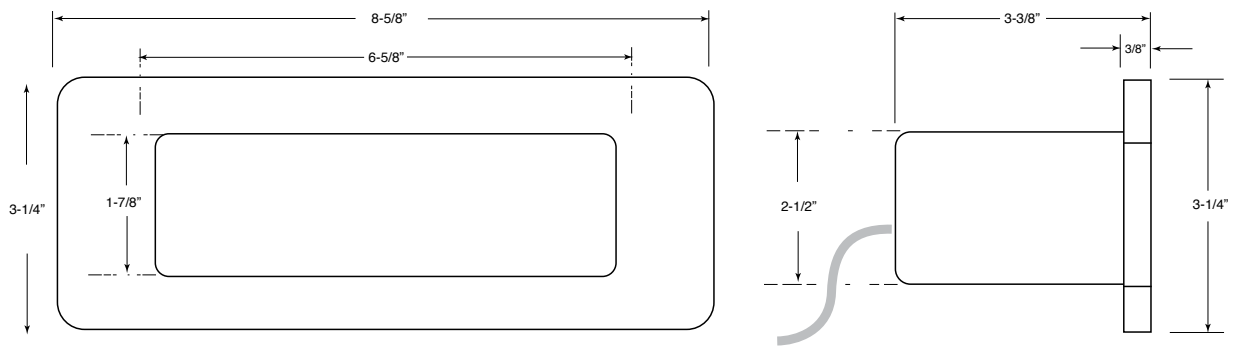
HORIZONTAL



LOUVER



OPEN







12VDC WET LOCATION LED PATHWAY LIGHT

12 VOLT

JWET LOCATION

80+ CRI

5 Yr WARRANTY

ETL Intertek



GML-SO-B



GML-RO-BN



GML-SO-W



GML-RS-B



GML-SO-BN



GML-RO-B

PRODUCT DESCRIPTION

Pathway or Perimeter lighting enables unobtrusive yet powerful ‘marker’ lights to define simple or complex pathways, driveways, property lines, etc. Additionally, these miniature luminaires can also be used as wet location accent lights. Available in open lens round or square formats, or as a round scoop trim. White, Black or Brushed Nickel.

Fixture dimensions on next page.

NOTE: For indoor use with PSD power supply (page 200). For outdoor use, a wet location electronic power supply must be used.

KEY FEATURES

- 12VDC
- 3000K
- Dimmable
- Easy to install and daisy-chain
- 90 lumens
- ETL
- 5 year warranty



Watch the Pathway Light Video!

ORDERING INFORMATION

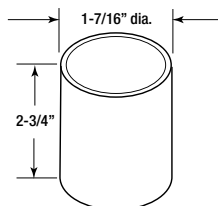
| Catalog No. | Style | Wattage | Lumens | Beam Angle | Color Temp | Finish |
|-------------|------------------|---------|--------|------------|------------|----------------|
| GML-RO-B | Round Trim | 1W | 90 | 45° | 3000K | Black |
| GML-RO-BN | Round Trim | 1W | 90 | 45° | 3000K | Brushed Nickel |
| GML-RO-W | Round Trim | 1W | 90 | 45° | 3000K | White |
| GML-RS-B | Round Scoop Trim | 1W | 90 | 45° | 3000K | Black |
| GML-RS-BN | Round Scoop Trim | 1W | 90 | 45° | 3000K | Brushed Nickel |
| GMS-RS-W | Round Scoop Trim | 1W | 90 | 45° | 3000K | White |
| GML-SO-B | Square Trim | 1W | 90 | 45° | 3000K | Black |
| GML-SO-BN | Square Trim | 1W | 90 | 45° | 3000K | Brushed Nickel |
| GML-SO-W | Square Trim | 1W | 90 | 45° | 3000K | White |

Comes with 48" leads.

ACCESSORIES

INGROUND SLEEVE FOR CONCRETE OR SOIL INSTALLATION

GML-SL 1-7/16" DIA. x 2-3/4" H COLLAR



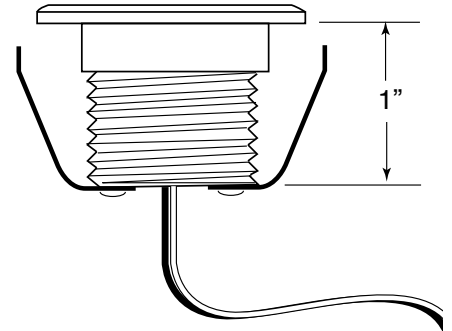
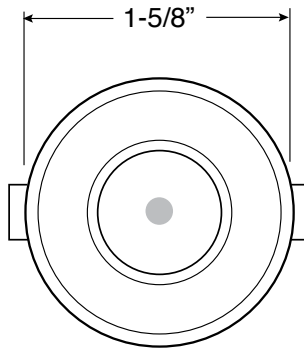
PRODUCT NOTES:

Not suitable for salt water or chlorine pool environments
Installation instructions and spec sheet available for download. View this product on www.gmlighting.net

12VDC WET LOCATION LED PATHWAY LIGHT DIAGRAMS

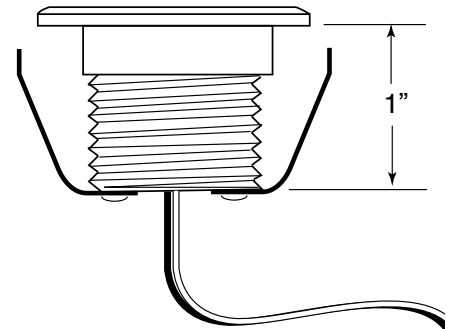
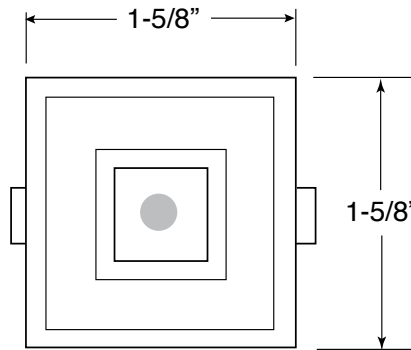
GML-RO SERIES
OPEN LENS
ROUND TRIM

CUT-OUT DIMENSION: 1-3/8"



GML-SO SERIES
OPEN LENS
SQUARE TRIM

CUT-OUT DIMENSION: 1-3/8"



GML-RS SERIES
SCOOP LENS
ROUND TRIM

CUT-OUT DIMENSION: 1-3/8"

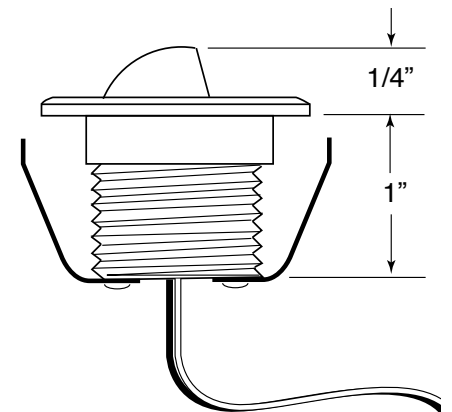
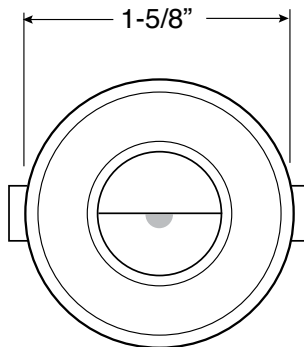




Photo Credit: Lighting Solutions / FROMM Andrew Smith

Commercial / Specialty Lighting

120-277V GRIDTASK LED
LINEAR CEILING
ILLUMINATION 190



120-277V GRIDTASK LED LINEAR SUSPENDED CEILING ILLUMINATION



**120-277
VOLT**

**DAMP
LOCATION**

**IC
RATED**

**DIM
0-10**

**5 Yr.
WARRANTY**

**UL
C US**

PRODUCT DESCRIPTION

Imagine a combination of LED module and T-Grid bracket, integrated into a ceiling panel configuration, and providing up to 130 lumens per watt of illumination. Now imagine GridTask from GM Lighting - a new paradigm in office and commercial lighting that enlarges the lumen spread over the entire space.'

Install as new lighting or retrofit into standard 15/16" (G1) or 9/16" (G2) T-Grid suspended ceilings. GridTask can replace selected cross tees of the grid ceiling suspension system.

KEY FEATURES

- 120-277V operation
- 3500K, 4000K
- 0-10 Dimming
DIVA-DVTV (Lutron), NOVA-NTSV-TV
- 120° beam spread
- Up to 2600 lumens
- Damp location
- Diode free illumination
- Efficacy 130LPW
- Integral plug-in junction box
- Match with dedicated power supplies (below)
- LM70 / 5 year warranty

ORDERING INFORMATION

| Catalog No. | Length | Wattage | Lumens | Color Temp | CRI | Grid |
|-------------|--------|---------|--------|------------|-----|-------------|
| TGB-2-35-G1 | 2 ft. | 10W | 1300 | 3500K | 80+ | 15/16" (G1) |
| TGB-2-40-G1 | 2 ft | 10W | 1300 | 4000K | 80+ | 15/16" (G1) |
| TGB-2-35-G2 | 2 ft. | 10W | 1300 | 3500K | 80+ | 9/16" (G2) |
| TGB-2-40-G2 | 2 ft | 10W | 1300 | 4000K | 80+ | 9/16" (G2) |
| TGB-4-35-G1 | 4 ft | 20W | 2600 | 3500K | 80+ | 15/16" (G1) |
| TGB-4-40-G1 | 4 ft | 20W | 2600 | 4000K | 80+ | 15/16" (G1) |
| TGB-4-35-G2 | 4 ft | 20W | 2600 | 3500K | 80+ | 9/16" (G2) |
| TGB-4-40-G2 | 4 ft | 20W | 2600 | 4000K | 80+ | 9/16" (G2) |

POWER SUPPLIES

| Catalog No. | Description |
|--------------|--|
| TGB-2-PS-30 | 2 ft. Power Supply 30W, max. 3 bars |
| TGB-2-EM8W | 30W max. / 3 bar - Plug & Play with Emergency Battery - 90 minutes |
| TGB-C-EXT-12 | T-Grid LED Linear Bar, 12 ft. Back CAT5 Cable Power Feed Extender |

| Catalog No. | Description |
|-------------|---|
| TGB-4-PS-60 | 4 ft. Power Supply, 60W, max. 3 bars |
| TGB-4-EM8W | 60W Max / 3 Bar - Plug and Play with Emergency Battery - 90 minutes |

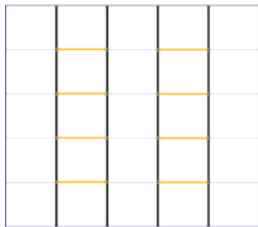
PRODUCT NOTES:

Installation instructions and spec sheet available for download.

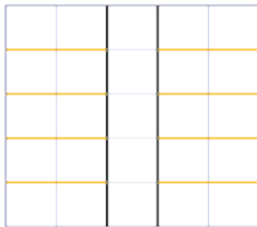
View this product on www.gmlighting.net

120-277V GRIDTASK LED

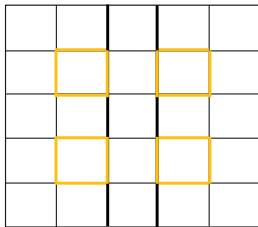
This application requires additional support from above ceiling.



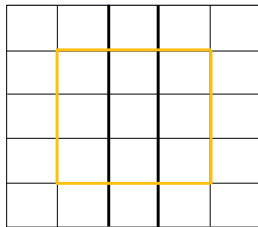
Typical Layout 2 ft. (individual)



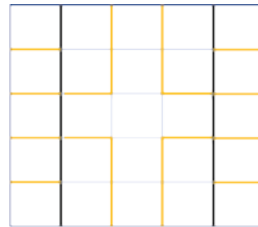
Typical Layout 4 ft. (individual)



Typical Layout 2 ft. & 4 ft. (square patterns w/ 90° corners)



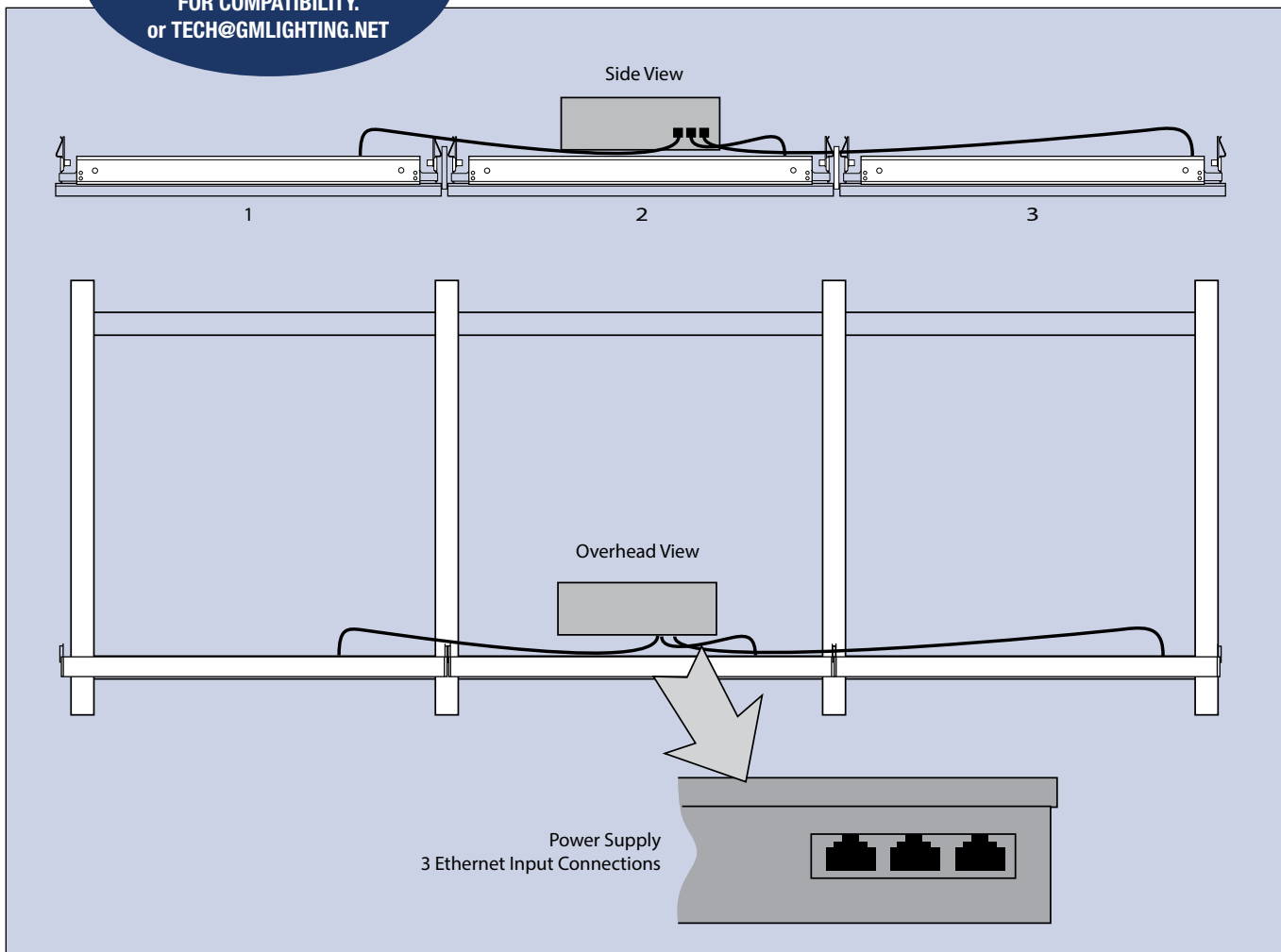
Typical Layout 2 ft. & 4 ft. (square patterns w/ 90° corners)



Typical Layout 2 ft. & 4 ft. (90° angle)

Note:  GridTask Lights
 Ceiling Main Beams

IMPORTANT!
 GRIDTASK IS NOT COMPATIBLE WITH ALL CEILING GRID SYSTEMS. CONSULT FACTORY FOR COMPATIBILITY. or TECH@GMLIGHTING.NET





SWITCHLD
POWER SUPPLY
AND DIMMER
IN ONE SWITCH
PAGE 194



SWITCHLD 12VDC/24VDC POWER SUPPLY / WALL DIMMER

12 VOLT

24 VOLT

DIMMABLE

FCC

5 Yr. WARRANTY

UL US

PRODUCT DESCRIPTION

SwitchLD is a driver and dimmer in one reliable wall switch. SwitchLD drives and dims either 12VDC or 24VDC LED tape and lightbars from your 120VAC current. Available with three interchangeable face plate finishes, SwitchLD fits standard electrical boxes.

- All in one power supply and wall dimmer
- Eliminates compatibility issues found in other dimmers
- Fits in standard recessed electrical box
- 100% -10% • Single pole
- Controls constant voltage light fixtures
- UL listed and FCC approved
- Trim and face plate (right) ordered separately
- 5 year warranty



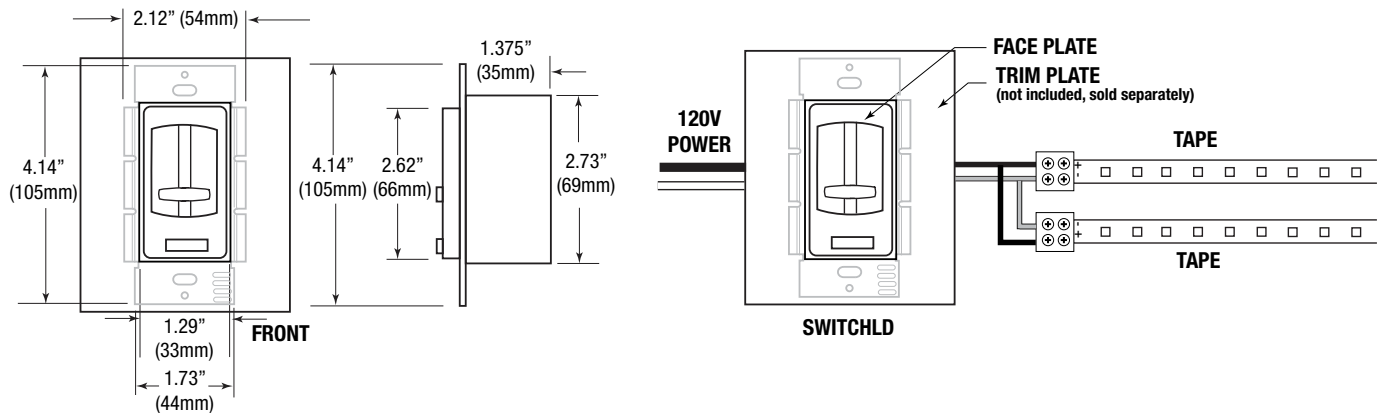
**Dimmer and Driver
in One Wall Switch**

ORDERING INFORMATION

| Catalog No. | Voltage In | Voltage Out | Watts | Face Plate Finish (See below for more choices) |
|--------------------|------------|-------------|-------|--|
| SWD-40W-12VDC-DIM | 120VAC | 12VDC | 40W | Gloss White |
| SWD-60W-12VDC-DIM | 120VAC | 12VDC | 60W | Gloss White |
| SWD-60W-24VDC-DIM | 120VAC | 24VDC | 60W | Gloss White |
| SWD-100W-24VDC-DIM | 120VAC | 24VDC | 100W | Gloss White |

TRIM & FACE PLATE

| Catalog No. | Description |
|-------------|---|
| SWD-ALD | Glossy Light Almond Trim and Face Plate |
| SWD-BRN | Glossy Dark Brown Trim and Face Plate |
| SWD-BK | Glossy Black Trim and Face Plate |
| SWD-WH | Glossy White Trim Plate (only) |



12VDC / 24VDC MAGNETIC LED DIMMABLE POWER SUPPLIES



PRODUCT DESCRIPTION

LineDRIVE Series 12VDC / 24VDC Magnetic LED Power Supplies are Class 2 rated and designed to operate with standard MLV dimmers. For vertical mounting only.

Encased in a low profile powder coated steel enclosure that includes 2 knock-outs to enable easy installation, these LineDRIVE power supplies are the perfect choice for GM Lighting products.

- Universal input and output
 - 120V/277V dual input
 - 12V / 24V output
- Dimmable (MLV)
- Dims down to 5%
- Steel case
- Class 2
- Nema 3R - outdoor use
- Auto-reset protection for short circuits and over-voltage
- 5 year warranty

An all-in-one power supply with universal input / output and Class 2 multi-channel output



See website and spec sheets for dimmer compatibility



ORDERING INFORMATION

| Catalog No. | Description | Watts | Weight | Dimensions |
|------------------------|---|-------|-----------|---------------------------|
| LD-MD-UNV30 | 12VDC / 24VDC - 30W - 120V or 277V/60Hz 12V/2.5A - 24V/1.25A - Class 2 Auto reset. | 30W | 2.5 lbs. | 8.27"L x 2.5"W x 1.95"H |
| LD-MD-UNV60 | 12VDC / 24VDC - 60W - 120V or 277V/60Hz 12V/5A - 24V/2.5A - Class 2 Auto reset. | 60W | 4.5 lbs. | 8.86"L x 3.31"W x 2.89"H |
| LD-MD-UNV96-24 | 24VDC - 96W - 120V or 277V/60Hz - 4 amps - Class 2 Auto reset. | 96W | 5.1 lbs. | 8.86"L x 3.31"W x 2.89"H |
| LD-MD-UNV150-12 | 12VDC - 150W - 120V or 277V/60Hz - 4 amps per channel (3) Class 2 - Auto reset - 3 x 50W Channel | 150W | 9.0 lbs. | 11.02"L x 4.88"W x 3.62"H |
| LD-MD-UNV200-24 | 24VDC - 192W - 120V or 277V/60Hz - 4 amps per channel (2) Class 2 - Auto reset - 2 x 96W Channel | 192W | 10.0 lbs. | 11.02"L x 4.88"W x 3.62"H |
| LD-MD-UNV300-24 | 24VDC - 288W - 120V or 277V/60Hz - 4 amps per channel (3) Class 2 - Auto reset - 3 x 96W Channel | 288W | 10.5 lbs. | 11.02"L x 4.88"W x 3.62"H |

Please see our website for updated power supply specifications and information.

12VDC / 24VDC ELECTRONIC LED NON-DIMMABLE POWER SUPPLIES

**12/24
VOLT**

**DRY
LOCATION**

**CLASS
2**

FCC

**5 Yr.
WARRANTY**

**UL
C US**

PRODUCT DESCRIPTION

LineDRIVE Series 12VDC / 24VDC Electronic LED Power Supplies are Class 2 rated and are designed to work with select LED fixtures that do not require dimming.

Encased in a low profile powder coated steel enclosure that includes 4 knock-outs to enable easy installation, these LineDRIVE power supplies are the perfect choice for our LTR-S RGBW LED tape.

- FCC compliant
- 120-277VAC ±10%
- IP20 for dry and damp location
- 50/60Hz frequency
- ±5% voltage tolerance at full load
- Over voltage protection
- Short circuit protection
- 5 year warranty



ORDERING INFORMATION

| Catalog No. | Description | Watts | Weight | Dimensions |
|-----------------------|--|-------|----------|--------------------------|
| LD-E-UNV30 | 12VDC / 24VDC - 30W - 120V or 277V - 50/60Hz 12V/2.5A - 24V/1.25A - Class 2 Auto reset. | 30W | 1.0 lbs. | 6.10"L x 3.35"W x 1.33"H |
| LD-E-UNV60 | 12VDC / 24VDC - 60W - 120V or 277V - 50/60Hz 12V/5A - 24V/2.5A - Class 2 Auto reset. | 60W | 2.5 lbs. | 8.25"L x 4.10"W x 1.56"H |
| LD-E-UNV96-24 | 24VDC - 96W - 120V or 277V - 50/60Hz - 4 amps Class 2 - Auto reset. | 96W | 2.5 lbs. | 8.25"L x 4.10"W x 1.56"H |
| LD-E-UNV200-24 | 24VDC - 192W - 120V or 277V - 50/60Hz - 4 amps per channel (2) Class 2 - Auto reset. 2 X 96W channel. | 192W | 4.7 lbs. | 9.50"L x 6.35"W x 1.56"H |
| LD-E-UNV300-24 | 24VDC - 288W - 120V or 277V - 50/60Hz - 4 amps per channel (3) Class 2 - Auto reset. 3 X 96W channel. | 288W | 4.7 lbs. | 9.50"L x 6.35"W x 1.56"H |

Please see our website for updated power supply specifications and information.

CORD AND PLUG ORDERING INFORMATION

| Catalog No. | Description | Watts | Weight | Dimensions |
|--------------------|---|-------|----------|--------------------------|
| LTP-2 | 12VDC - 25W - 2.0 amps - Class 2 - 120V Cord (126") and Plug | 25W | 10.4 oz. | 3.25"L x 1.75"W x 1.25"H |
| LTP-6 | 12VDC - 60W - 5.0 amps - Class 2 - 120V Cord (126") and Plug | 60W | 14.8 oz. | 5.50"L x 2.25"W x 1.25"H |
| LTP24-48 | 24VDC - 48W - 2 amps - 120V - 120V Cord (72") and plug. Short circuit, overload protection - LED indicator for power on. UL listed | 48W | 1.8 lbs. | 4.68"L x 2.05"W x 1.25"H |
| LTP24-90 | 24VDC - 90W - 3.75 amps - 120V - 120V Cord (72") and plug. Short circuit, overload protection - LED indicator for power on. UL listed | 90W | 1.8 lbs. | 4.68"L x 2.05"W x 1.25"H |
| LTFD-60 | 12VDC - 60W - Class 2 - 120V Cord and (39") Plug | 60W | 1.0 lbs. | 3.0"L x 1.5"W x 2.0"H |
| DPPS-24-24V | 24VDC - 24W - Class 2 with cord and plug, UL listed | 24W | 8 oz. | 2.75"L x 2"W x 1"H |
| DPPS-36-24V | 24VDC - 36W - Class 2 with cord and plug, UL listed | 36W | 12 oz. | 4"L x 1-3/4"W x 1.125"H |

Please see our website for updated power supply specifications and information.

0-10 DIMMABLE ELECTRONIC POWER SUPPLIES

**12/24
VOLT**

**CLASS
2**

**DRY
LOCATION**

DIMMABLE

**5 Yr.
WARRANTY**

FCC

**ETL
Intertek**

PRODUCT DESCRIPTION

GM Lighting's LineDRIVE 0-10 dimmable 60W and 96W LED driver is a compact and light weight powerhouse that features high efficiency that reduces total power consumption.

Provides excellent dimming capabilities for GM Lighting LED products.

- FCC compliant
- No minimum load technology
- 120V/277V input
- Soft start feature
- Constant voltage output - 0-10V dimming (switch by others)
- ETL listed for indoor, dry and damp locations
- Overload / short circuit / over-voltage / thermal protection
- High efficiency to reduce total power consumption
- Compact size and light weight
- 5 year warranty

See website
and spec sheets
for dimmer
compatibility



ORDERING INFORMATION

| Catalog No. | Description | Watts | Weight | Dimensions |
|--------------------------|---|-------|-----------|--------------------------|
| LD-ED010-UNV60-12 | 12VDC - 60W - 120V or 277V/60Hz - 5 amps - Class 2 Auto reset. UL for indoor use | 60W | 2.9 lbs. | 7.55"L x 3.35"W x 1.32"H |
| LD-ED010-UNV96-24 | 24VDC - 96W - 120V or 277V/60Hz - 4 amps - Class 2 Auto reset. UL for indoor use | 96W | 3.15 lbs. | 8.25"L x 3.75"W x 1.56"H |

Please see our website for updated power supply specifications and information.



Photo Credit: Slater Lighting

12VDC / 24VDC ELECTRONIC LED DIMMABLE POWER SUPPLIES

12/24
VOLT

CLASS
2



DIMMABLE

5 Yr.
WARRANTY

FCC



See website
and spec sheets
for dimmer
compatibility

PRODUCT DESCRIPTION

LineDRIVE Series 12VDC / 24VDC Electronic LED Power Supplies are Class 2 rated and are designed to work with standard ELV/Incandescent TRIAC (leading edge) dimmer switches.

Encased in a low profile enclosure that includes 2 knock-outs to enable easy installation.

- Dimmable - ELV
- 120V / 277V
- Class 2
- 0.95 Power Factor
- > 90% efficiency
- Over current protection
- Short circuit protection
- Min. Load 10%
- FCC compliant
- 5 year warranty



ORDERING INFORMATION

| Catalog No. | Description | Watts | Weight | Dimensions |
|------------------|--|-------|-----------|---------------------------|
| LD-ED-UNV20-12 | 12VDC - 20W - 120V or 277V - 50/60Hz - 1.66 amps - Class 2 Auto reset. | 20W | .75 lbs. | 6.97"L x 2.76"W x 1.40"H |
| LD-ED-UNV20-24 | 24VDC - 20W - 120V or 277V - 50/60Hz - 0.83 amps - Class 2 Auto reset. | 20W | .75 lbs. | 6.97"L x 2.76"W x 1.40"H |
| LD-ED-UNV40-12 | 12VDC - 40W - 120V or 277V - 50/60Hz - 3.33 amps - Class 2 Auto reset. | 40W | 1.3 lbs. | 6.97"L x 2.76"W x 1.40"H |
| LD-ED-UNV40-24 | 24VDC - 40W - 120V or 277V - 50/60Hz - 1.66 amps - Class 2 Auto reset. | 40W | 1.3 lbs | 6.97"L x 2.76"W x 1.40"H |
| LD-ED-UNV60-12 | 12VDC - 60W - 120V or 277V - 50/60Hz - 5.0 amps - Class 2 Auto reset. | 60W | 1.5 lbs. | 6.97"L x 2.76"W x 1.40"H |
| LD-ED-UNV60-24 | 24VDC - 60W - 120V or 277V - 50/60Hz - 2.5 amps - Class 2 Auto reset. | 60W | 1.5 lbs. | 6.97"L x 2.76"W x 1.40"H |
| LD-ED-UNV96-24 | 24DC - 96W - 120V or 277V - 50/60Hz - 4.0 amps - Class 2 Auto reset. | 96W | 1.5 lbs. | 6.97"L x 2.76"W x 1.40"H |
| LD-ED-UNV150-12 | 12VDC - 150W - 120V or 277V - 50/60Hz - 4.16 amps / channel Class 2 - Auto reset. 3 X 50W channels | 150W | 4.6 lbs | 10.20"L x 4.20"W x 1.90"H |
| LD-ED-UNV200-12* | 12VDC - 180W - 120V or 277V - 50/60Hz - 5.0 amps / channel Class 2 - Auto reset. 3 X 60W channels | 180W | 4.6 lbs. | 10.20"L x 4.20"W x 1.90"H |
| LD-ED-UNV200-24* | 24VDC - 192W - 120V or 277V - 50/60Hz - 4.0 amps / channel Class 2 - Auto reset. 2 X 96W channels | 192W | 4.6 lbs. | 10.20"L x 4.20"W x 1.90"H |
| LD-ED-UNV300-24* | 24VDC - 288W - 120V or 277V - 50/60Hz - 4.0 amps / channel Class 2 - Auto reset. 3 X 96W channels | 288W | 4.75 lbs. | 10.20"L x 4.20"W x 1.90"H |

* Can be wired in accordance with Class 2 requirements. Please see our website for updated power supply specifications and information.

12VDC / 24VDC ELECTRONIC LED WET LOCATION DIMMABLE POWER SUPPLIES

**12/24
VOLT**

**CLASS
2**

**DRY
LOCATION**

DIMMABLE

**5 Yr.
WARRANTY**

FCC

**ETL
Intertek**

PRODUCT DESCRIPTION

LineDRIVE Wet Location Series 24VDC Electronic LED Power Supplies are Class 2 rated and designed to work with standard ELV/Incandescent TRIAC (leading edge) dimmer switches. Encased in a low profile light weight aluminum enclosure that includes multiple knock-outs to enable easy installation.

- Dimmable - ELV
- 120V / 277V
- Class 2
- 0.95 Power Factor
- > 90% efficiency
- Over current protection
- Short circuit protection
- Min. Load 10%
- FCC compliant
- 5 year warranty

See website
and spec sheets
for dimmer
compatibility



ORDERING INFORMATION

| Catalog No. | Description | Watts | Weight | Dimensions |
|--------------------------|---|-------|-----------|------------------------------|
| LD-EDWP-UNV30-24 | 24VDC - 30W - 120V or 277V - 50/60Hz - 1.25 amps - Class 2 Auto reset - Wet location | 30W | 1.87 lbs. | 12.125"L x 2.375"W x 1.375"H |
| LD-EDWP-UNV60-24 | 24VDC - 60W - 120V or 277V - 50/60Hz - 2.5 amps - Class 2 Auto reset - Wet location | 60W | 1.87 lbs. | 12.125"L x 2.375"W x 1.375"H |
| LD-EDWP-UNV96-24 | 24VDC - 96W - 120V or 277V - 50/60Hz - 4 amps - Class 2 Auto reset - Wet location | 96W | 1.87 lbs. | 12.125"L x 2.375"W x 1.375"H |
| LD-EDWP-UNV200-24 | 24VDC - 200W - 120V or 277V - 50/60Hz - 4 amps - Class 2 Auto reset - Wet location | 200W | 4.92lbs. | 10.375"L x 4.375"W x 1.375"H |
| LD-EDWP-UNV300-24 | 24VDC - 300W - 120V or 277V - 50/60Hz - 4 amps - Class 2 Auto reset - Wet location | 300W | 4.92lbs. | 10.375"L x 4.375"W x 1.375"H |

* Can be wired in accordance with Class 2 requirements. Please see our website for updated power supply specifications and information.

12VDC / 24VDC DIMMABLE ELECTRONIC POWER SUPPLIES



PRODUCT DESCRIPTION

Our 12VDC and 24VDC PSD series power supplies are constant voltage, Phase/Triac dimmable 15W, 20W, 24W, 60W and 96W drivers.

COMPATIBLE WITH ELV and CL Dimmers

- 120V input
- High efficiency: up to 80%
- Min. Load 10%
- Protection: short circuit / over voltage
- Integrated junction box for hard wire installation
- Class 2
- 5 year warranty



ORDERING INFORMATION

| Catalog No. | Description | Watts | Weight | Dimensions |
|----------------|--|-------|-----------|-----------------------------|
| PSD15-12 | 12VDC - 15W - 1.25 amps High efficiency: up to 80%. Input voltage is 120V Output constant voltage: 12VDC - Class 2 | 15W | 0.69 lb. | 8-3/8"L x 1-5/8"W x 1-1/2"H |
| PSD15-24 | 24VDC - 15W - 1.25 amps High efficiency: up to 80%. Input voltage is 120V Output constant voltage: 12VDC - Class 2 | 15W | 0.69 lb. | 8-3/8"L x 1-5/8"W x 1-1/2"H |
| PSD24-12 | 12VDC - 24W - 2.0 amps High efficiency: up to 80%. Input voltage is 120V Output constant voltage: 12VDC - Class 2 | 24W | 0.88 lb. | 10"L x 1-5/8"W x 1-1/2"H |
| PSD24-24 | 24VDC - 24W - 2.0 amps High efficiency: up to 80%. Input voltage is 120V Output constant voltage: 12VDC - Class 2 | 24W | 0.88 lb. | 10"L x 1-5/8"W x 1-1/2"H |
| PSD60-12 | 12VDC - 60W - 5.0 amps High efficiency: up to 80%. Input voltage is 120V Output constant voltage: 12VDC - Class 2 | 60W | 1.0 lb. | 7-1/8"L x 3-3/8"W x 1-3/8"H |
| PSD60-24 | 24VDC - 60W - 2.5 amps High efficiency: up to 80%. Input voltage is 120V Output constant voltage: 24VDC - Class 2 | 60W | 1.0 lb. | 7-1/8"L x 3-3/8"W x 1-3/8"H |
| PSD90-24 | 24VDC - 90W - 3.75 amps High efficiency up to 80%. Input voltage is 120V Output constant voltage: 24VDC - Class 2 | 90W | 1.0 lb. | 7-7/8"L x 3-3/8"W x 1-3/8"H |
| LTHE-20-DIM-12 | 12VDC - 20W - 1.67 amps High efficiency: >84%. Input voltage is 120V/60Hz. Output constant voltage: 12VDC - Class 2 - ETL listed | 20W | 0.41 lbs | 5-3/4"L x 2-3/8"W x 13/16"H |
| LTHE-20-DIM-24 | 24VDC - 20W - .83 amps High efficiency: >84%. Input voltage is 120V/60Hz. Output constant voltage: 24VDC - Class 2 - ETL listed | 20W | 0.41 lbs. | 5-3/4"L x 2-3/8"W x 13/16"H |

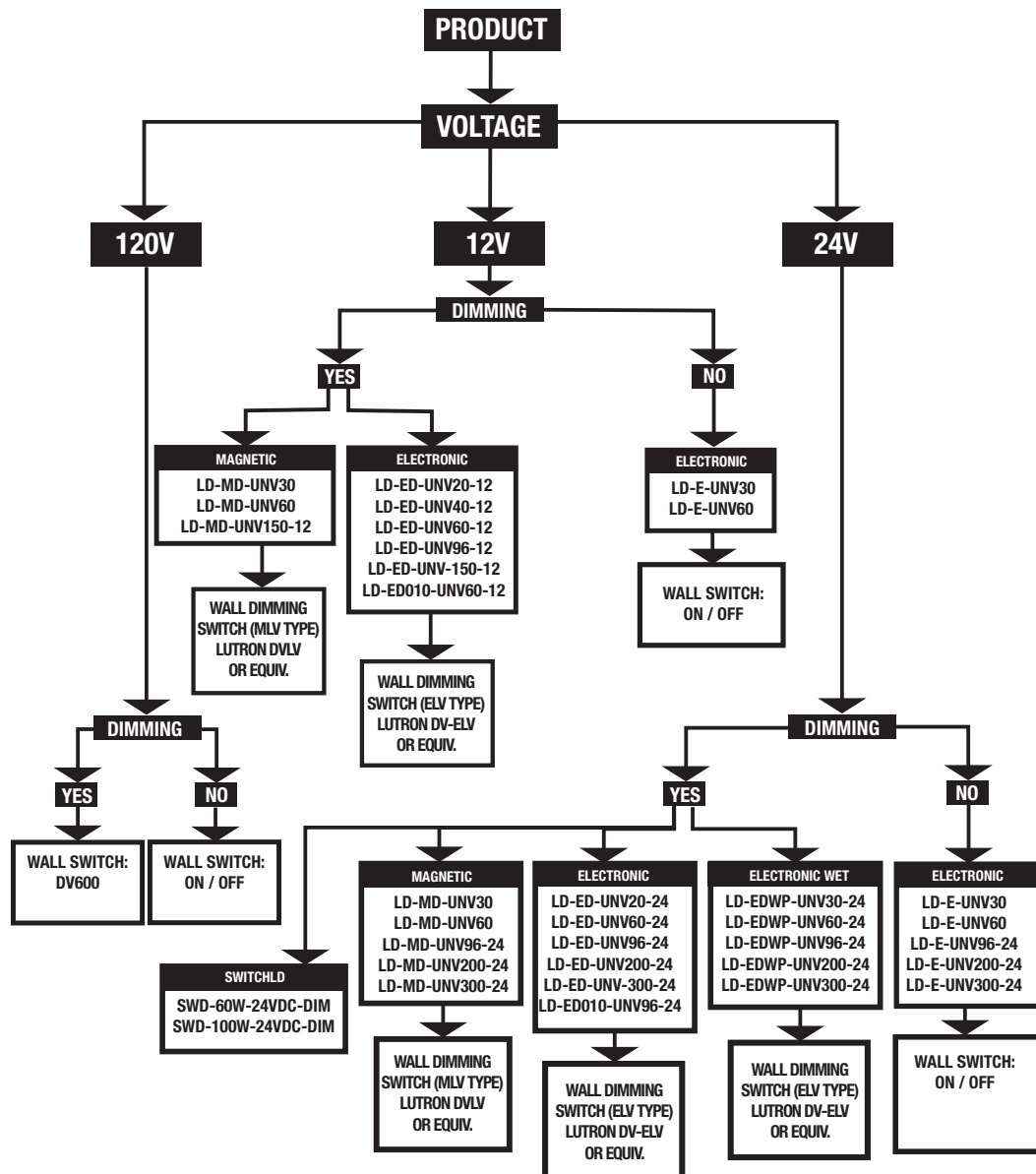
12VAC ELECTRONIC REMOTE TRANSFORMERS

GM Lighting's electronic transformers feature economical operation in a light weight compact design.

ORDERING INFORMATION

| Catalog No. | Description | Wattage | Weight | Dimensions |
|-------------|--------------------------|------------|---------|-----------------------|
| LET60 | 12VAC - 20W-60W, Class 2 | 20W - 60W | 3.0 oz. | 2"L x 1.25"W x .75"D |
| LET75 | 12VAC - 20W-75W | 20W - 75W | 3.1 oz. | 2.1"L x 1.4"W x .75"D |
| LET151 | 12VAC - 50W - 150W | 50@ - 150W | 6.8 oz. | 3.4"L x 1.38"W x 1"D |

QUICK GUIDE TO PICKING LineDRIVE POWER SUPPLIES



SELECTING A GM LIGHTING POWER SUPPLY

This flow chart will enable the proper selection of an appropriate power supply for your GM Lighting product. Based on the voltage of the product and whether or not dimming is required - we've covered everything including which wall switch should be used. If you have any other questions, see our website at www.gmlighting.net, or contact us directly.

NOTE: FOR REFERENCE ONLY - PLEASE FOLLOW LOCAL AND NATIONAL CODES.

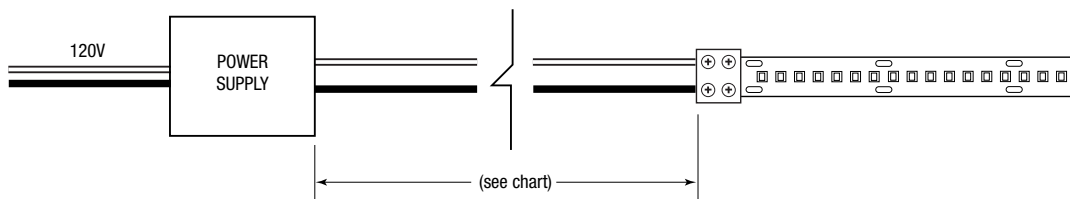
LEDTASK™ VOLTAGE DROP CHART FOR 12VDC

MINIMUM VOLTAGE REQUIRED FOR MAXIMUM LIGHT OUTPUT: 11.3V AT BEGINNING OF RUN

THIS CHART INDICATES DC VOLTAGE AT THE BEGINNING OF YOUR LED LINEAR RUN

| Wire Size | Distance | Load Current in amps (per run) | |
|-----------|----------|--------------------------------|--------------|
| | | 2 amps / 24W | 4 amps / 48W |
| 18 AWG | 10 ft. | 11.7 | |
| | 25 ft. | 11.3 | |
| | 50 ft. | 11.0 | |
| | 100 ft. | 9.4 | 6.1 |
| | 200 ft. | 6.7 | |
| 14 AWG | 10 ft. | 11.9 | |
| | 25 ft. | 11.7 | |
| | 50 ft. | 11.5 | |
| | 100 ft. | 11.09 | |
| | 200 ft. | 10.0 | 7.6 |
| 12 AWG | 10 ft. | 11.9 | |
| | 25 ft. | 11.6 | |
| | 50 ft. | 11.7 | |
| | 100 ft. | 11.3 | 10.5 |
| | 200 ft. | 10.7 | 9.0 |
| 10 AWG | 10 ft. | 12.0 | |
| | 25 ft. | 11.9 | |
| | 50 ft. | 11.5 | |
| | 100 ft. | 11.6 | 11.1 |
| | 200 ft. | 11.2 | 10.2 |

EXAMPLE: Single Run

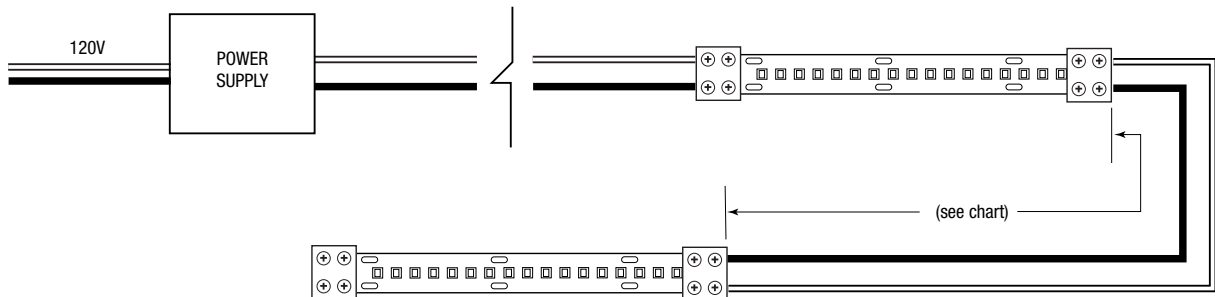


LEDTASK™ VOLTAGE DROP CHART FOR 24VDC

MINIMUM VOLTAGE REQUIRED FOR MAXIMUM LIGHT OUTPUT: 22.8V AT BEGINNING OF RUN
 THIS CHART INDICATES DC VOLTAGE AT THE BEGINNING OF YOUR LED LINEAR RUN

| Wire Size | Load Current in amps (per run) | |
|-----------|--------------------------------|--------------|
| | Distance | 4 amps / 96W |
| 18 AWG | 10 ft. | 22.8 |
| | 25 ft. | 21.0 |
| | 50 ft. | 18.0 |
| | 100 ft. | |
| | 200 ft. | |
| 14 AWG | 10 ft. | 23.6 |
| | 25 ft. | 22.8 |
| | 50 ft. | 21.6 |
| | 100 ft. | 19.4 |
| | 200 ft. | 15.4 |
| 12 AWG | 10 ft. | 23.8 |
| | 25 ft. | 23.2 |
| | 50 ft. | 22.6 |
| | 100 ft. | 21.0 |
| | 200 ft. | 18.0 |
| 10 AWG | 10 ft. | 23.8 |
| | 25 ft. | 23.6 |
| | 50 ft. | 23.0 |
| | 100 ft. | 22.2 |
| | 200 ft. | 20.4 |

EXAMPLE: Multi Run







Index

| | | | |
|-----------------------|----------|---------------------|-----|
| 18-2-WIRE-1FT | 53 | CL48-TUN | 128 |
| 18-2-WIRE-250FT | 53 | CLQB-WH | 129 |
| 18-3-WIRE-1FT | 53 | CP-6 | 116 |
| 18-3-WIRE-250FT | 53 | DMX-LT-995 | 101 |
| 18-4-WIRE-1FT | 53 | DPPS-24-24V | 196 |
| 18-4-WIRE-250FT | 53 | DPPS-36-24V | 196 |
| 18-5-WIRE-1FT | 53 | DPSP-4-B..... | 123 |
| 18-5-WIRE-250T | 53 | DPSP-4-W..... | 123 |
| CHDL-4-WH..... | 111 | DPSP-8-B | 123 |
| CHDL-6-WH..... | 111 | DPSP-8-W..... | 123 |
| CHDL-EXT5 | 111 | EDGE-8-27-BZ | 122 |
| CHDL-EXT10..... | 111 | EDGE-8-27-W..... | 122 |
| CHDL-EXT20 | 111 | EDGE-8-30-BZ..... | 122 |
| CHDL-EXTPF20 | 111 | EDGE-8-30-W | 122 |
| CHDL-UNV-NCP..... | 111, 156 | EDGE-16-27-BZ..... | 122 |
| CHPL-B..... | 110 | EDGE-16-27-W | 122 |
| CHPL-BN | 110 | EDGE-16-30-BZ..... | 122 |
| CHPL-BZ..... | 110 | EDGE-16-30-W..... | 122 |
| CHPL-WH | 110 | EDGE-24-27-BZ | 122 |
| CL1-BB-WH | 129 | EDGE-24-27-W | 122 |
| CL6-BB-WH | 129 | EDGE-24-30-BZ..... | 122 |
| CL6-PC-WH | 129 | EDGE-24-30-W | 122 |
| CL6-PCHW-WH..... | 129 | EDGE-32-27-BZ | 122 |
| CL12-BB-WH..... | 129 | EDGE-32-27-W | 122 |
| CL24-BB-WH | 129 | EDGE-32-30-BZ..... | 122 |
| CL36-BB-WH | 129 | EDGE-32-30-W | 122 |
| CL9-TUN | 128 | EDGE-90-B | 123 |
| CL18-TUN | 128 | EDGE-90-W | 123 |
| CL24-TUN | 128 | EDGE-AB-W | 123 |
| CL36-TUN | 128 | EDGE-BB-1-B | 123 |

Index

| | | | |
|------------------|-----|----------------------|-----|
| EDGE-BB-1-W..... | 123 | GBL-SMB..... | 182 |
| EDGE-IC-B..... | 123 | GM-RND5-TUN-WH..... | 148 |
| EDGE-IC-W..... | 123 | GM-RND8-TUN-WH..... | 148 |
| EDGE-MS-B..... | 123 | GM-RND12-TUN-WH..... | 148 |
| EDGE-MS-W..... | 123 | GM-SLD4-30-WH..... | 150 |
| EDGE-TD-B..... | 123 | GM-SLD4-40-WH..... | 150 |
| EDGE-TD-W..... | 123 | GM-SLD6-30-WH..... | 150 |
| ESTC-1..... | 50 | GM-SLD6-40-WH..... | 150 |
| ESTC-90..... | 50 | GM-SLD12-30-WH..... | 150 |
| ESTLK-60..... | 50 | GM-SLD12-40-WH..... | 150 |
| ESTW-60..... | 50 | GM-SLD4-TUN..... | 150 |
| ESTW-CO..... | 50 | GM-SLD6-TUN..... | 150 |
| EZ-1..... | 116 | GM-SLD12-TUN..... | 150 |
| EZ-3..... | 116 | GM-WPSC..... | 53 |
| EZ-6..... | 116 | GM-WPSC-RGBW..... | 53 |
| EZ-12..... | 116 | GMC-FF-3-B..... | 123 |
| GBL-FPH-B..... | 182 | GMC-FF-3-W..... | 123 |
| GBL-FPH-BN..... | 182 | GMC-MF-24-B..... | 123 |
| GBL-FPH-BZ..... | 182 | GMC-MF-24-W..... | 123 |
| GBL-FPH-WH..... | 182 | GMC-MF-39-B..... | 123 |
| GBL-FPLV-B..... | 182 | GMC-MF-39-W..... | 123 |
| GBL-FPLV-BN..... | 182 | GMC-MF-60-B..... | 123 |
| GBL-FPLV-BZ..... | 182 | GMC-MF-60-W..... | 123 |
| GBL-FPLV-WH..... | 182 | GMC-MM-3-B..... | 123 |
| GBL-FPO-B..... | 182 | GMC-MM-3-W..... | 123 |
| GBL-FPO-BN..... | 182 | GMC-MM-6-B..... | 123 |
| GBL-FPO-BZ..... | 182 | GMC-MM-6-W..... | 123 |
| GBL-FPO-WH..... | 182 | GMC-MM-12-B..... | 123 |
| GBL-MO..... | 182 | GMC-MM-12-W..... | 123 |
| GBL-MR..... | 182 | GMC-MM-24-B..... | 123 |

Index

| | | | |
|-------------------------|-----|---------------------------|---------|
| GMC-MM-24-W..... | 123 | GMR6-120V-IC-FL-B | 172 |
| GMC-MM-39-B | 123 | GMR6-120V-IC-WFL-B..... | 172 |
| GMC-MM-39-W..... | 123 | GMR6-120V-IC-SP-BA | 172 |
| GMC-MM-60-B | 123 | GMR6-120V-IC-FL-BA | 172 |
| GMC-MM-60-W | 123 | GMR6-120V-IC-WFL-BA | 172 |
| GMC-PS-24-B | 123 | GMR6-WW-W..... | 171 |
| GMC-PS-24-W | 123 | GMR6-WW-B..... | 171 |
| GMC-PS-48-B | 123 | GMR6-WW-BA | 171 |
| GMC-PS-48-W | 123 | GMSB-B..... | 53, 170 |
| GMC-PS-60-B | 123 | GMSB-W | 53, 170 |
| GMC-PS-60-W | 123 | GSL-H-B | 179 |
| GMC-PS90-60-W..... | 123 | GSL-H-BN | 179 |
| GMC-PS90-60-B..... | 123 | GSL-H-BZ | 179 |
| GML-RO-B | 186 | GSL-H-WH | 179 |
| GML-RO-BN..... | 186 | GSL-LH-B..... | 178 |
| GML-RO-W | 186 | GSL-LH-BN | 178 |
| GML-RS-B..... | 186 | GSL-LH-BZ..... | 178 |
| GML-RS-BN | 186 | GSL-LH-WH | 178 |
| GML-RS-W | 186 | GSL-LV-B | 178 |
| GML-SL..... | 186 | GSL-LV-BN | 178 |
| GML-SO-B | 186 | GSL-LV-BZ | 178 |
| GML-SO-BN | 186 | GSL-LV-WH | 178 |
| GML-SO-W..... | 186 | GSL-O-B | 178 |
| GMR4-WW-B..... | 170 | GSL-O-BN | 178 |
| GMR4-WW-BA | 170 | GSL-O-BZ | 178 |
| GMR4-WW-W | 170 | GSL-O-WH | 178 |
| GMR6-120V-IC-SP-W | 172 | GSL-V-B..... | 179 |
| GMR6-120V-IC-FL-W..... | 172 | GSL-V-BN..... | 179 |
| GMR6-120V-IC-WFL-W..... | 172 | GSL-V-BZ | 179 |
| GMR6-120V-IC-SP-B | 172 | GSL-V-W | 179 |

Index

| | | | |
|-------------------------|-----|--------------------------|-----|
| JB-1..... | 116 | LD-ED010-UNV96-24 | 197 |
| LARC6-8-WW-W..... | 127 | LD-MD-UNV30 | 195 |
| LARC6-16-WW-W | 127 | LD-MD-UNV60 | 195 |
| LARC6-24-WW-W..... | 127 | LD-MD-UNV96-24 | 195 |
| LARC6-32-WW-W..... | 127 | LD-MD-UNV150-12 | 195 |
| LARC6-MS-W | 127 | LD-MD-UNV200-24..... | 195 |
| LARC6-OS-W | 127 | LD-MD-UNV300-24 | 195 |
| LARC6-TD-W | 127 | LED-CHL..... | 56 |
| LD-ED-UNV20-12..... | 198 | LED-CHL-8..... | 56 |
| LD-ED-UNV20-24 | 198 | LED-CHL-45..... | 56 |
| LD-ED-UNV40-12..... | 198 | LED-CHL-45-EC | 56 |
| LD-ED-UNV40-24 | 198 | LED-CHL-45-MC | 56 |
| LD-ED-UNV60-12..... | 198 | LED-CHL-45-1200 | 56 |
| LD-ED-UNV60-24 | 198 | LED-CHL-45-1200-EC | 56 |
| LD-ED-UNV96-24 | 198 | LED-CHL-45-1200-MC | 56 |
| LD-ED-UNV150-12 | 198 | LED-CHL-AMC | 56 |
| LD-ED-UNV200-12..... | 198 | LED-CHL-BND..... | 57 |
| LD-ED-UNV200-24 | 198 | LED-CHL-BND-8 | 57 |
| LD-ED-UNV300-24 | 198 | LED-CHL-BND-EC | 57 |
| LD-EDWP-UNV30-24 | 199 | LED-CHL-BND-MC | 57 |
| LD-EDWP-UNV60-24 | 199 | LED-CHL-EC | 56 |
| LD-EDWP-UNV96-24 | 199 | LED-CHL-MI-C8 | 62 |
| LD-EDWP-UNV200-24..... | 199 | LED-CHL-MI-CEC | 62 |
| LD-EDWP-UNV300-24 | 199 | LED-CHL-MI-CMCH8..... | 62 |
| LD-E-UNV30 | 196 | LED-CHL-MI-ISC8 | 60 |
| LD-E-UNV60..... | 196 | LED-CHL-MI-ISC-EC | 60 |
| LD-E-UNV96-24..... | 196 | LED-CHL-MC | 56 |
| LD-E-UNV200-24 | 196 | LED-CHL-MI-ST8..... | 60 |
| LD-E-UNV300-24 | 196 | LED-CHL-MI-ST-EC..... | 60 |
| LD-ED010-UNV60-12..... | 197 | LED-CHL-MI-OSC8..... | 60 |

Index

| | | | |
|-----------------------------|----|--------------------------|-----|
| LED-CHL-MI-OSC-EC | 60 | LED-CHL-XD-MD-F-DC | 59 |
| LED-CHL-MI-SST8..... | 61 | LED-CHL-XD-MD-F-EC | 59 |
| LED-CHL-MI-SST-EC..... | 61 | LED-CHL-XD-MD-MC | 58 |
| LED-CHL-SLIM | 57 | LET60..... | 201 |
| LED-CHL-SLIM-BRACKETS | 57 | LET75 | 201 |
| LED-CHL-SLIM-EC..... | 57 | LET151..... | 201 |
| LED-CHL-W..... | 57 | LTAB-N-8 | 130 |
| LED-CHL-W-8..... | 57 | LTAB-N-16..... | 130 |
| LED-CHL-W-AMC | 57 | LTAB-N-24 | 130 |
| LED-CHL-W-EC | 57 | LTAB-N-8-27 | 130 |
| LED-CHL-W-MC | 57 | LTAB-N-16-27..... | 130 |
| LED-CHL-WOD8..... | 61 | LTAB-N-24-27 | 130 |
| LED-CHL-WOD-EC | 61 | LTAB-N-8-PW | 130 |
| LED-CHL-WOS8 | 61 | LTAB-N-16-PW | 130 |
| LED-CHL-WOS-EC..... | 61 | LTAB-N-24-PW..... | 130 |
| LED-CHL-XD | 58 | LTAB-N-SB | 130 |
| LED-CHL-XD-8..... | 58 | LTB-8..... | 131 |
| LED-CHL-XD-AMC..... | 58 | LTB-16 | 131 |
| LED-CHL-XD-EC..... | 58 | LTBC-3 | 131 |
| LED-CHL-XD-F | 58 | LTBC-12 | 131 |
| LED-CHL-XD-F-8..... | 58 | LTBC-24 | 131 |
| LED-CHL-XD-F-DC | 58 | LTBC-48 | 131 |
| LED-CHL-XD-F-EC..... | 58 | LTBC-60 | 131 |
| LED-CHL-XD-MC..... | 58 | LTBPC-6 | 131 |
| LED-CHL-XD-MD..... | 58 | LTBPC-24 | 131 |
| LED-CHL-XD-MD-8 | 58 | LTBPC-48 | 131 |
| LED-CHL-XD-MD-AMC | 58 | LTBPC-60 | 131 |
| LED-CHL-XD-MD-EC | 58 | LTC-EZ-1 | 50 |
| LED-CHL-XD-MD-F..... | 59 | LTC-EZ-3..... | 50 |
| LED-CHL-XD-MD-F-8 | 59 | LTC-EZ-12 | 50 |

Index

| | | | |
|-----------------------------|-----|-----------------------------|----|
| LTC-EZ-24..... | 50 | LTR-E-24V-1.5W-27K-100..... | 42 |
| LTC-EZ-60..... | 50 | LTR-E-24V-1.5W-30K-100..... | 42 |
| LTCWP-12..... | 130 | LTR-E-24V-1.5W-35K-100..... | 42 |
| LTCWP-24..... | 130 | LTR-E-24V-1.5W-40K-100..... | 42 |
| LTCWP-36..... | 130 | LTR-P-12V-1.5W-24K-16..... | 20 |
| LTCWP-60..... | 130 | LTR-P-12V-1.5W-27K-16..... | 20 |
| LTFD-60..... | 196 | LTR-P-12V-1.5W-30K-16..... | 20 |
| LTHE-20-DIM-12..... | 200 | LTR-P-12V-1.5W-35K-16..... | 20 |
| LTHE-20-DIM-24..... | 200 | LTR-P-12V-1.5W-40K-16..... | 20 |
| LTMC..... | 131 | LTR-P-12V-1.5W-50K-16..... | 20 |
| LTP-2..... | 196 | LTR-P-12V-1.5W-24K-100..... | 20 |
| LTP-6..... | 196 | LTR-P-12V-1.5W-27K-100..... | 20 |
| LTP24-48..... | 196 | LTR-P-12V-1.5W-30K-100..... | 20 |
| LTP24-90..... | 196 | LTR-P-12V-1.5W-35K-100..... | 20 |
| LTR-E-12V-1.5W-27K-16..... | 42 | LTR-P-12V-1.5W-40K-100..... | 20 |
| LTR-E-12V-1.5W-30K-16..... | 42 | LTR-P-12V-1.5W-50K-100..... | 20 |
| LTR-E-12V-1.5W-35K-16..... | 42 | LTR-P-12V-1.5W-27K-250..... | 20 |
| LTR-E-12V-1.5W-40K-16..... | 42 | LTR-P-12V-1.5W-30K-250..... | 20 |
| LTR-E-12V-1.5W-27K-100..... | 42 | LTR-P-12V-1.5W-35K-250..... | 20 |
| LTR-E-12V-1.5W-30K-100..... | 42 | LTR-P-12V-3.0W-24K-16..... | 21 |
| LTR-E-12V-1.5W-35K-100..... | 42 | LTR-P-12V-3.0W-27K-16..... | 21 |
| LTR-E-12V-1.5W-40K-100..... | 42 | LTR-P-12V-3.0W-30K-16..... | 21 |
| LTR-E-12V-1.5W-AM-16..... | 42 | LTR-P-12V-3.0W-35K-16..... | 21 |
| LTR-E-12V-1.5W-BL-16..... | 42 | LTR-P-12V-3.0W-40K-16..... | 21 |
| LTR-E-12V-1.5W-GR-16..... | 42 | LTR-P-12V-3.0W-50K-16..... | 21 |
| LTR-E-12V-1.5W-RD-16..... | 42 | LTR-P-12V-3.0W-24K-100..... | 21 |
| LTR-E-24V-1.5W-27K-16..... | 42 | LTR-P-12V-3.0W-27K-100..... | 21 |
| LTR-E-24V-1.5W-30K-16..... | 42 | LTR-P-12V-3.0W-30K-100..... | 21 |
| LTR-E-24V-1.5W-35K-16..... | 42 | LTR-P-12V-3.0W-35K-100..... | 21 |
| LTR-E-24V-1.5W-40K-16..... | 42 | LTR-P-12V-3.0W-40K-100..... | 21 |

Index

| | | | |
|------------------------------|----|--------------------------------|----|
| LTR-P-12V-3.0W-50K-100 | 21 | LTR-P-24V-4.5W-30K-16 | 21 |
| LTR-P-24V-1.5W-24K-16 | 20 | LTR-P-24V-4.5W-35K-16 | 21 |
| LTR-P-24V-1.5W-27K-16 | 20 | LTR-P-24V-4.5W-40K-16 | 21 |
| LTR-P-24V-1.5W-30K-16 | 20 | LTR-P-24V-4.5W-50K-16 | 21 |
| LTR-P-24V-1.5W-35K-16 | 20 | LTR-P-24V-4.5W-24K-100 | 21 |
| LTR-P-24V-1.5W-40K-16 | 20 | LTR-P-24V-4.5W-27K-100 | 21 |
| LTR-P-24V-1.5W-50K-16 | 20 | LTR-P-24V-4.5W-30K-100 | 21 |
| LTR-P-24V-1.5W-24K-100 | 20 | LTR-P-24V-4.5W-35K-100 | 21 |
| LTR-P-24V-1.5W-27K-100 | 20 | LTR-P-24V-4.5W-40K-100 | 21 |
| LTR-P-24V-1.5W-30K-100 | 20 | LTR-P-24V-4.5W-50K-100 | 21 |
| LTR-P-24V-1.5W-35K-100 | 20 | LTR-P-24V-5.8W-24K-16 | 21 |
| LTR-P-24V-1.5W-40K-100 | 20 | LTR-P-24V-5.8W-27K-16 | 21 |
| LTR-P-24V-1.5W-50K-100 | 20 | LTR-P-24V-5.8W-30K-16 | 21 |
| LTR-P-24V-1.5W-27K-250 | 21 | LTR-P-24V-5.8W-35K-16 | 21 |
| LTR-P-24V-1.5W-30K-250 | 21 | LTR-P-24V-5.8W-40K-16 | 21 |
| LTR-P-24V-1.5W-35K-250 | 21 | LTR-P-24V-5.8W-50K-16 | 21 |
| LTR-P-24V-3.0W-24K-16 | 21 | LTR-P-24V-5.8W-24K-100 | 21 |
| LTR-P-24V-3.0W-27K-16 | 21 | LTR-P-24V-5.8W-27K-100 | 21 |
| LTR-P-24V-3.0W-30K-16 | 21 | LTR-P-24V-5.8W-30K-100 | 21 |
| LTR-P-24V-3.0W-35K-16 | 21 | LTR-P-24V-5.8W-35K-100 | 21 |
| LTR-P-24V-3.0W-40K-16 | 21 | LTR-P-24V-5.8W-40K-100 | 21 |
| LTR-P-24V-3.0W-50K-16 | 21 | LTR-P-24V-5.8W-50K-100 | 21 |
| LTR-P-24V-3.0W-24K-100 | 21 | LTR-P-WP-24V-1.5W-24K-16 | 22 |
| LTR-P-24V-3.0W-27K-100 | 21 | LTR-P-WP-24V-1.5W-27K-16 | 22 |
| LTR-P-24V-3.0W-30K-100 | 21 | LTR-P-WP-24V-1.5W-30K-16 | 22 |
| LTR-P-24V-3.0W-35K-100 | 21 | LTR-P-WP-24V-1.5W-35K-16 | 22 |
| LTR-P-24V-3.0W-40K-100 | 21 | LTR-P-WP-24V-1.5W-40K-16 | 22 |
| LTR-P-24V-3.0W-50K-100 | 21 | LTR-P-WP-24V-1.5W-50K-16 | 22 |
| LTR-P-24V-4.5W-24K-16 | 21 | LTR-P-WP-24V-1.5W-24K-FT | 22 |
| LTR-P-24V-4.5W-27K-16 | 21 | LTR-P-WP-24V-1.5W-27K-FT | 22 |

Index

| | | | |
|---------------------------------|----|---------------------------------|----|
| LTR-P-WP-24V-1.5W-30K-FT | 22 | LTR-P-WP-24V-3.0W-24K-100 | 23 |
| LTR-P-WP-24V-1.5W-35K-FT..... | 22 | LTR-P-WP-24V-3.0W-27K-100 | 23 |
| LTR-P-WP-24V-1.5W-40K-FT | 22 | LTR-P-WP-24V-3.0W-30K-100..... | 23 |
| LTR-P-WP-24V-1.5W-50K-FT | 22 | LTR-P-WP-24V-3.0W-35K-100..... | 23 |
| LTR-P-WP-24V-1.5W-24K-100..... | 22 | LTR-P-WP-24V-3.0W-40K-100..... | 23 |
| LTR-P-WP-24V-1.5W-27K-100..... | 22 | LTR-P-WP-24V-3.0W-50K-100..... | 23 |
| LTR-P-WP-24V-1.5W-30K-100 | 22 | LTR-P-WP-24V-5.8W-24K-16 | 23 |
| LTR-P-WP-24V-1.5W-35K-100..... | 22 | LTR-P-WP-24V-5.8W-27K-16 | 23 |
| LTR-P-WP-24V-1.5W-40K-100 | 22 | LTR-P-WP-24V-5.8W-30K-16 | 23 |
| LTR-P-WP-24V-1.5W-50K-100 | 22 | LTR-P-WP-24V-5.8W-35K-16 | 23 |
| LTR-P-WP-24V-1.5-AM-FT..... | 23 | LTR-P-WP-24V-5.8W-40K-16 | 23 |
| LTR-P-WP-24V-1.5-BL-FT..... | 23 | LTR-P-WP-24V-5.8W-50K-16 | 23 |
| LTR-P-WP-24V-1.5-GR-FT | 23 | LTR-P-WP-24V-5.8W-27K-FT | 23 |
| LTR-P-WP-24V-1.5-RD-FT | 23 | LTR-P-WP-24V-5.8W-30K-FT..... | 23 |
| LTR-P-WP-24V-1.5-AM-100..... | 23 | LTR-P-WP-24V-5.8W-35K-FT..... | 23 |
| LTR-P-WP-24V-1.5-BL-100..... | 23 | LTR-P-WP-24V-5.8W-40K-FT..... | 23 |
| LTR-P-WP-24V-1.5-GR-100 | 23 | LTR-P-WP-24V-5.8W-50K-FT..... | 23 |
| LTR-P-WP-24V-1.5-RD-100 | 23 | LTR-P-WP-24V-5.8W-24K-100 | 23 |
| LTR-P-WP-24V-3.0W-24K-16 | 23 | LTR-P-WP-24V-5.8W-27K-100 | 23 |
| LTR-P-WP-24V-3.0W-27K-16 | 23 | LTR-P-WP-24V-5.8W-30K-100..... | 23 |
| LTR-P-WP-24V-3.0W-30K-16 | 23 | LTR-P-WP-24V-5.8W-35K-100..... | 23 |
| LTR-P-WP-24V-3.0W-35K-16 | 23 | LTR-P-WP-24V-5.8W-40K-100..... | 23 |
| LTR-P-WP-24V-3.0W-40K-16 | 23 | LTR-P-WP-24V-5.8W-50K-100..... | 23 |
| LTR-P-WP-24V-3.0W-50K-16 | 23 | LTR-P-WP-EC | 51 |
| LTR-P-WP-24V-3.0W-24K-FT..... | 23 | LTR-P-WP-TPC-12..... | 51 |
| LTR-P-WP-24V-3.0W-27K-FT | 23 | LTR-P-WP-TTC-3 | 51 |
| LTR-P-WP-24V-3.0W-30K-FT..... | 23 | LTR-P-WP-TTC-6 | 51 |
| LTR-P-WP-24V-3.0W-35K-FT..... | 23 | LTR-P-WP-TTC-12 | 51 |
| LTR-P-WP-24V-3.0W-40K-FT..... | 23 | LTR-P-WP-TTC-24 | 51 |
| LTR-P-WP-24V-3.0W-50K-FT..... | 23 | LTR-S-24V-2.5W-27K-16 | 28 |

Index

| | | | |
|----------------------------------|----|-----------------------------------|----|
| LTR-S-24V-2.5W-30K-16 | 28 | LTR-S-COB-24V-1.5W-35K-100 | 30 |
| LTR-S-24V-2.5W-35K-16 | 28 | LTR-S-COB-24V-1.5W-40K-100 | 30 |
| LTR-S-24V-2.5W-40K-16 | 28 | LTR-S-COBWP-24V-1.5W-27K-FT | 31 |
| LTR-S-24V-2.5W-27K-100 | 28 | LTR-S-COBWP-24V-1.5W-30K-FT | 31 |
| LTR-S-24V-2.5W-30K-100 | 28 | LTR-S-COBWP-24V-1.5W-25K-FT | 31 |
| LTR-S-24V-2.5W-35K-100 | 28 | LTR-S-COBWP-24V-1.5W-40K-FT | 31 |
| LTR-S-24V-2.5W-40K-100 | 28 | LTR-S-COBWP-24V-3.0W-27K-FT | 31 |
| LTR-S-24V-5.8W-27K-16 | 28 | LTR-S-COBWP-24V-3.0W-30K-FT | 31 |
| LTR-S-24V-5.8W-30K-16 | 28 | LTR-S-COBWP-24V-3.0W-35K-FT | 31 |
| LTR-S-24V-5.8W-35K-16 | 28 | LTR-S-COBWP-24V-3.0W-40K-FT | 31 |
| LTR-S-24V-5.8W-40K-16 | 28 | LTR-S-COBWP-24V-1.5W-27K-32 | 31 |
| LTR-S-24V-5.8W-27K-100 | 28 | LTR-S-COBWP-24V-1.5W-30K-32 | 31 |
| LTR-S-24V-5.8W-30K-100 | 28 | LTR-S-COBWP-24V-1.5W-25K-32 | 31 |
| LTR-S-24V-5.8W-35K-100 | 28 | LTR-S-COBWP-24V-1.5W-40K-32 | 31 |
| LTR-S-24V-5.8W-40K-100 | 28 | LTR-S-COBWP-24V-3.0W-27K-32 | 31 |
| LTR-S-24V-3.0W-RGBW-16 | 40 | LTR-S-COBWP-24V-3.0W-30K-32 | 31 |
| LTR-S-24V-3.0W-RGBW-32 | 40 | LTR-S-COBWP-24V-3.0W-35K-32 | 31 |
| LTR-S-24V-6.0W-RGBW-16 | 40 | LTR-S-COBWP-24V-3.0W-40K-32 | 31 |
| LTR-S-24V-WP-3.0W-RGBW-16 | 40 | LTR-S-HO-24V-8W-27K-FT | 29 |
| LTR-S-24V-WP-3.0W-RGBW-32 | 40 | LTR-S-HO-24V-8W-30K-FT | 29 |
| LTR-S-COB-24V-1.5W-27K-16 | 30 | LTR-S-HO-24V-8W-35K-FT | 29 |
| LTR-S-COB-24V-1.5W-30K-16 | 30 | LTR-S-HO-24V-8W-40K-FT | 29 |
| LTR-S-COB-24V-1.5W-35K-16 | 30 | LTR-S-HO-24V-8W-27K-100 | 29 |
| LTR-S-COB-24V-1.5W-40K-16 | 30 | LTR-S-HO-24V-8W-30K-100 | 29 |
| LTR-S-COB-24V-3.0W-27K-16 | 30 | LTR-S-HO-24V-8W-35K-100 | 29 |
| LTR-S-COB-24V-3.0W-30K-16 | 30 | LTR-S-HO-24V-8W-40K-100 | 29 |
| LTR-S-COB-24V-3.0W-35K-16 | 30 | LTR-S-DTW-24V-3.0W-16 | 36 |
| LTR-S-COB-24V-3.0W-40K-16 | 30 | LTR-S-SV-12V-1.5W-27K-16 | 37 |
| LTR-S-COB-24V-1.5W-27K-100 | 30 | LTR-S-SV-12V-1.5W-30K-16 | 37 |
| LTR-S-COB-24V-1.5W-30K-100 | 30 | LTR-S-SV-12V-1.5W-35K-16 | 37 |

Index

| | | | |
|--------------------------------|-----|----------------------|-----|
| LTR-S-SV-12V-1.5W-40K-16 | 37 | LTW-EZ-60..... | 50 |
| LTR-S-TUN-24V-1.5W-16 | 35 | MDL-3AR-27-WH | 167 |
| LTR-S-TUN-24V-3.0W-16..... | 35 | MDL-3AR-30-WH | 167 |
| LTR-S-TUN-24V-5.0W-16..... | 35 | MDL-3R-27-WH | 166 |
| LTR-S-TUN-24V-1.5W-FT | 35 | MDL-3R-30-WH | 166 |
| LTR-S-TUN-24V-3.0W-FT | 35 | MDL-3S-30-WH | 166 |
| LTR-S-TUN-24V-5.0W-FT | 35 | MDL-3S-35-WH | 166 |
| LTR-S-TUN-24V-1.5W-100 | 35 | MDL-4AR-27-WH | 168 |
| LTR-S-TUN-24V-3.0W-100 | 35 | MDL-4AR-30-WH | 168 |
| LTR-S-TUN-24V-5.0W-100 | 35 | MDL-4R-27-WH | 168 |
| LTR-S-TUN-24V-90W | 107 | MDL-4R-30-WH | 168 |
| LTR-S-TUN-24V-180W..... | 107 | MDL-4S-27-WH..... | 168 |
| LTR-S-TUN-SP..... | 35 | MDL-4S-30-WH | 168 |
| LTR-S-TUN-SW..... | 107 | MDL-5FT-EXT | 168 |
| LTR-S-TUN-SYS..... | 107 | MDL-10FT-EXT | 168 |
| LTR-S-TUN-TPC60 | 35 | MDL-20FT-EXT | 168 |
| LTR-S-TUN-TTC3..... | 35 | MTR1-5CCT-W..... | 156 |
| LTR-S-TUN-TTC12 | 35 | MTR1-5CCT-B | 156 |
| LTR-S-TUN-TTC24..... | 35 | MTR2-5CCT-W | 156 |
| LTR-S-TUN-TTC36..... | 35 | MTR2-5CCT-B..... | 156 |
| LTR-S-TUN-TTC60 | 35 | MTS1-5CCT-W..... | 156 |
| LTR-S-TW-12V-2.2W-27K-16 | 37 | MTS1-5CCT-B | 156 |
| LTR-S-TW-12V-2.2W-30K-16..... | 37 | MTS2-5CCT-W | 156 |
| LTR-S-TW-12V-2.2W-35K-16..... | 37 | MTS2-5CCT-B..... | 156 |
| LTR-S-TW-12V-2.2W-40K-16..... | 37 | MTRA1-5CCT-W | 157 |
| LTW-24-WP | 118 | MTRA2-5CCT-W..... | 157 |
| LTW-48-WP | 118 | MTRT2-5CCT-W | 158 |
| LTW-60-WP..... | 118 | MTST2-5CCT-W | 158 |
| LTW-EZ-6..... | 50 | MTRAT2-5CCT-W | 158 |
| LTW-EZ-24..... | 50 | NV24S-3W-30K-16..... | 76 |

Index

| | | | |
|------------------------|----|------------------------|-----|
| NV24S-3W-30K-32 | 76 | NV24T-3W-BL-32..... | 78 |
| NV24S-3W-40K-16..... | 76 | NV24T-3W-GR-16..... | 78 |
| NV24S-3W-40K-32 | 76 | NV24T-3W-GR-32 | 78 |
| NV24S-3W-AM-16..... | 76 | NV24T-3W-RGBW-16 | 80 |
| NV24S-3W-AM-32 | 76 | NV24T-3W-RD-16..... | 78 |
| NV24S-3W-BL-16..... | 76 | NV24T-3W-RD-32 | 78 |
| NV24S-3W-BL-32 | 76 | NV24T-CHL-A4 | 82 |
| NV24S-3W-GR-16 | 76 | NV24T-CHL-A8 | 82 |
| NV24S-3W-GR-32..... | 76 | NV24T-EC..... | 82 |
| NV24S-3W-RD-16 | 76 | NV24T-FLEX-CHL..... | 82 |
| NV24S-3W-RD-32..... | 76 | NV24T-MC-A | 82 |
| NV24S-3W-RGBW-16 | 80 | NV24T-PF-EF8..... | 82 |
| NV24S-CHL-A4..... | 88 | NV24T-PF-BF8..... | 82 |
| NV24S-CHL-A8..... | 82 | NV24T-SP..... | 82 |
| NV24S-EC | 82 | NV24T-TTC6..... | 82 |
| NV24S-FLEX-CHL | 82 | NV24T-TTC12 | 82 |
| NV24S-MC-A | 82 | NV24T-TTC24..... | 82 |
| NV24S-PF-EF8..... | 82 | OTR-B..... | 172 |
| NV24S-PF-BF8 | 82 | OTR-BN | 172 |
| NV24S-SP | 82 | OTR-WH | 172 |
| NV24S-TTC6..... | 82 | PL24V-27-B | 137 |
| NV24S-TTC12 | 82 | PL24V-27-BNK | 137 |
| NV24S-TTC24 | 82 | PL24V-27-BZ | 137 |
| NV24T-3W-30K-16..... | 78 | PL24V-27-W | 137 |
| NV24T-3W-30K-32 | 78 | PL24V-30-B..... | 137 |
| NV24T-3W-40K-16..... | 78 | PL24V-30-BNK | 137 |
| NV24T-3W-40K-32 | 78 | PL24V-30-BZ..... | 137 |
| NV24T-3W-AM-16 | 78 | PL24V-30-W | 137 |
| NV24T-3W-AM-32 | 78 | PSD15-12..... | 200 |
| NV24T-3W-BL-16 | 78 | PSD15-24 | 200 |

Index

| | | | |
|-----------------------|----------|------------------------|-----|
| PSD24-12 | 200 | RSD-TUN-10FT-EXT | 164 |
| PSD24-24..... | 200 | RSD-TUN-20FT-EXT | 164 |
| PSD60-12 | 200 | S4-2790-WH..... | 144 |
| PSD60-24 | 200 | S4-3090-WH | 144 |
| PSD90-24 | 200 | S4-4090-WH | 144 |
| PRX-2790-WH | 147 | S4-RKT | 144 |
| PRX-3090-WH | 147 | S6-2790-WH..... | 144 |
| PRX-4090-WH | 147 | S6-3090-WH | 144 |
| PRX-TUN-WH..... | 147 | S6-4090-WH | 144 |
| R6-2790-WH | 146 | S6-RKT | 144 |
| R6-3090-WH | 146 | S9-2790-WH..... | 145 |
| R6-4090-WH | 146 | S9-3090-WH | 145 |
| R6-2790-BN | 146 | S9-4090-WH | 145 |
| R6-3090-BN..... | 146 | S12X12-HO-27 | 68 |
| R6-4090-BN..... | 146 | S12X12-HO-30..... | 68 |
| R6-RKT..... | 146 | S12X12-HO-35..... | 68 |
| RGBW-DMX-WC..... | 101, 102 | S12X12-HO-40..... | 68 |
| RGBW-RP | 103 | S12X12-RGBW | 68 |
| RGBW-RTR-EZ-1..... | 50 | S12X12-RGBW-SSC | 68 |
| RGBW-RTR-EZ-3 | 50 | S12X12-SO-27..... | 68 |
| RGBW-RTR-EZ-12..... | 50 | S12X12-SO-30 | 68 |
| RGBW-RTR-EZ-24 | 50 | S12X12-SO-35 | 68 |
| RGBW-RTR-EZ-36 | 50 | S12X12-SO-40 | 68 |
| RGBW-RTR-EZ-60 | 50 | S12X12-SSC..... | 68 |
| RGBW-RPS-EZ-60 | 50 | SDP-3-B..... | 138 |
| RGBW-RWC | 103 | SDP-3-BNK..... | 138 |
| RSD-4-TUN..... | 164 | SDP-3-BZ..... | 138 |
| RSD-6-TUN..... | 164 | SDP-3-W | 138 |
| RSD-8-TUN..... | 164 | SHWC..... | 98 |
| RSD-TUN-5FT-EXT | 164 | SHWC-CCT | 98 |

Index

| | | | |
|----------------------|-----|--------------------------|-----|
| SHWC-RGBW | 98 | SPM-1-40-W | 139 |
| SHWC-RGBW-RPT | 98 | STC-1 | 50 |
| SHWC-V120 | 99 | STC-90 | 50 |
| SHWC-V120-RGBW | 99 | STLK-60 | 50 |
| SHWD | 100 | STW-60 | 50 |
| SHWO | 100 | STW-CO | 50 |
| SHWP | 100 | SWD-40W-12VDC-DIM | 194 |
| SJTW-2W | 53 | SWD-60W-12VDC-DIM | 194 |
| SJTW-3W | 53 | SWD-60W-24VDC-DIM | 194 |
| SJTW-5W | 53 | SWD-100W-24VDC-DIM | 194 |
| SLJR-HSW | 116 | SWD-ALD | 194 |
| SP-2-27-B | 136 | SWD-ALD | 194 |
| SP-2-27-BNK | 136 | SWD-BK | 194 |
| SP-2-27-BZ | 136 | SWD-BRN | 194 |
| SP-2-27-W | 136 | SWD-WH | 194 |
| SP-2-30-B | 136 | TGB-2-35-G1 | 190 |
| SP-2-30-BNK | 136 | TGB-2-35-G2 | 190 |
| SP-2-30-BZ | 136 | TGB-2-40-G1 | 190 |
| SP-2-30-W | 136 | TGB-2-40-G2 | 190 |
| SP-2-40-B | 136 | TGB-4-35-G1 | 190 |
| SP-2-40-BNK | 136 | TGB-4-35-G2 | 190 |
| SP-2-40-BZ | 136 | TGB-4-40-G1 | 190 |
| SP-2-40-W | 136 | TGB-4-40-G2 | 190 |
| SPM-1-30-B | 127 | TGB-2-PS-30 | 190 |
| SPM-1-30-BNK | 139 | TGB-4-PS-60 | 190 |
| SPM-1-30-BZ | 139 | TGB-2-EM8W | 190 |
| SPM-1-30-W | 139 | TGB-4-EM8W | 190 |
| SPM-1-40-B | 139 | TGB-C-EXT-12 | 190 |
| SPM-1-40-BNK | 139 | TOL4-CL | 59 |
| SPM-1-40-BZ | 139 | TOL4-FR | 59 |

Index

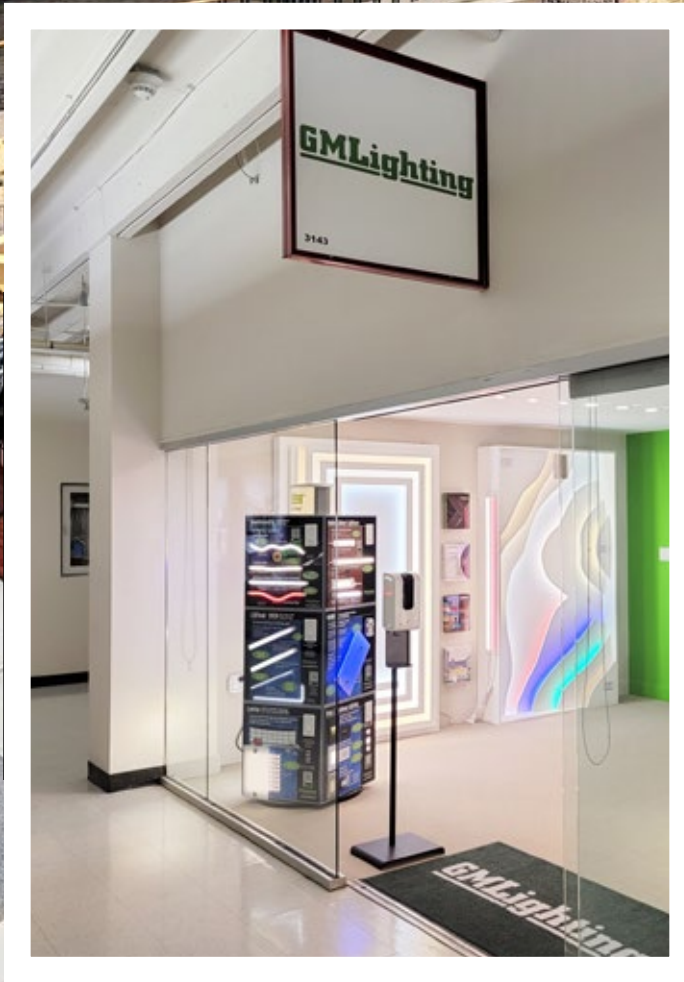
| | | | |
|--------------------------|--------|--------------------------|-----|
| UCLED-8-BZ-DIM-30 | 116 | V120-CHL-4-LENS..... | 91 |
| UCLED-8-WH-DIM-30 | 116 | V120-CHL-8..... | 91 |
| UCLED-16-BZ-DIM-30 | 116 | V120-CHL-8-LENS | 91 |
| UCLED-16-WH-DIM-30..... | 116 | V120-CHL-P-4..... | 91 |
| UCLED-24-BZ-DIM-30 | 116 | V120-CHL-P-8..... | 91 |
| UCLED-24-WH-DIM-30 | 116 | V120-ECC | 91 |
| UCLED-32-BZ-DIM-30 | 116 | V120-MC | 91 |
| UCLED-32-WH-DIM-30 | 116 | V120-PC-4 | 91 |
| UCTUN-8-BZ..... | 114 | V120-PC-8..... | 91 |
| UCTUN-8-WH | 114 | V120-PCHW-4..... | 91 |
| UCTUN-16-BZ | 114 | V120-PCHW-8 | 91 |
| UCTUN-16-WH..... | 114 | V120-HO-27-XXX..... | 89 |
| UCTUN-24-BZ | 114 | V120-HO-30-XXX..... | 89 |
| UCTUN-24-WH | 114 | V120-HO-40-XXX..... | 89 |
| UCTUN-32-BZ | 114 | V120-RGBW-XX | 92 |
| UCTUN-32-WH | 114 | V120-RGBW-CHL4 | 93 |
| UCTUN-CP6-B | 115 | V120-RGBW-CHL8 | 93 |
| UCTUN- CP6-WH | 115 | V120-RGBW-CHL-ECC..... | 93 |
| UCTUN-EZ-1-WH..... | 115 | V120-RGBW-CHL-ECCTT..... | 93 |
| UCTUN-EZ-6-B | 115 | V120-RGBW-MC | 93 |
| UCTUN-EZ-6-WH | 115 | V120-RGBW-PCHW8..... | 93 |
| UCTUN-EZ-12-B | 115 | V120-RGBW-TTC6..... | 93 |
| UCTUN-EZ-12-WH..... | 115 | V120-RGBW-TTC12 | 93 |
| UCTUN-QB-B..... | 115 | V120-RGBW-TTC18 | 93 |
| UCTUN-QB-WH..... | 115 | V120-RGBW-TTC24 | 93 |
| UNV-NCP..... | 164 | V120-RGBW-CHL-LENS4..... | 93 |
| V120-3M-VHB-15 | 91, 93 | V120-RGBW-CHL-LENS8..... | 93 |
| V120-3M-VHB-36YD..... | 91, 93 | V120-RGBW-DMX | 102 |
| V120-90C | 91 | V120-SHO-27-XXX..... | 89 |
| V120-CHL-4..... | 91 | V120-SHO-30-XXX..... | 89 |

Index

| | |
|-----------------------------|----|
| V120-SHO-40-XXX..... | 89 |
| V120-SO-27-XXX | 89 |
| V120-SO-30-XXX | 89 |
| V120-SO-40-XXX..... | 89 |
| V120-SO-AM-XXX | 89 |
| V120-SO-BL-XXX | 89 |
| V120-SO-GR-XXX..... | 89 |
| V120-SO-RD-XXX..... | 89 |
| V120-TTC-6 | 91 |
| V120-TTC-12..... | 91 |
| V120-TTC-18..... | 91 |
| V120-TTC-24 | 91 |
| VTX-A-24V-5.8W-27K-FT | 72 |
| VTX-A-24V-5.8W-30K-FT | 72 |
| VTX-A-24V-5.8W-40K-FT | 72 |
| VTX-G-24V-5.8W-27K-FT | 72 |
| VTX-G-24V-5.8W-30K-FT | 72 |
| VTX-G-24V-5.8W-40K-FT | 72 |
| VTX-CHL4..... | 72 |
| VTX-CHL8..... | 72 |
| VTX-CHL-AMC | 72 |
| VTX-CHL-EC | 72 |
| VTX-CHL-JC..... | 72 |
| VTX-CHL-MC | 72 |
| VTX-CHL-TTC6 | 72 |
| VTX-CHL-TTC12..... | 72 |
| VTX-CHL-TTC24 | 72 |

NOTES

NOTES



**VISIT OUR
SHOWROOM TM3143
Dallas Market Center
2100 Stemmons Freeway
Dallas, TX 75207**




18700 Ridgeland Ave., Tinley Park, IL 60477
Toll-Free: (866) 671-0811 • FAX: (708) 478-2640

www.gmlighting.net

e-mail: sales@gmlighting.net
tech@gmlighting.net

©2023 GM Lighting
Specifications subject to change without notice.



 VISIT WEBSITE