

Function.







E U R O F A S E L I G H T I N G

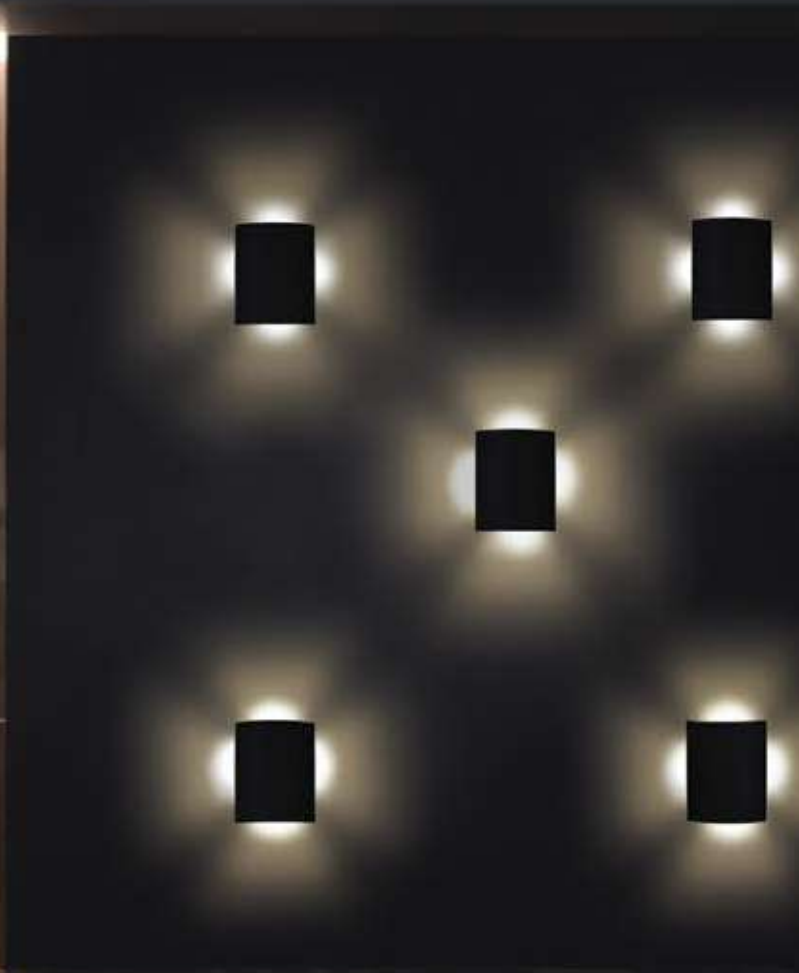
For over 30 years, Eurofase has been a premier lighting manufacturer and custom design company.

Eurofase specializes in innovative, elegant, and functional lighting fixtures which will accent or define your desired atmosphere. We continually source the world for inspirational trends and manufacturing materials.

Our depth of product offering encompasses architectural lighting fixtures across all categories such as modular systems, circuit board extrusions, mini profiles, recessed multiples, recessed, track, wall mounts, ceiling mounts, LED mirrors and exterior lighting. We make finding the ideal light for any home décor or commercial setting a personal creative and exciting lifestyle experience.

WE DESIGN WITH LIGHT AND LIGHT WITH DESIGN.







Modular Systems LED



Circuit Board Extrusions LED



Mini Profiles LED



Recessed Multiples + Downlights



Recessed



Track Lighting



Wall & Flushmounts



LED Mirrors LED

Function.

Contents

Modular Systems LED	1 - 72
Circuit Board Extrusions LED	73 - 94
Mini Profiles LED	95 - 114
Recessed Multiples & Downlights	115 - 258
Recessed	259 - 344
Track Lighting	345 - 382
Wall & Flushmounts	383 - 442
LED Mirrors LED	443 - 462
Exterior Lighting	463 - 560



Exterior Lighting

Function.

THUMBNAIL INDEX

MODULAR SYSTEMS

CONSTRUCT LED



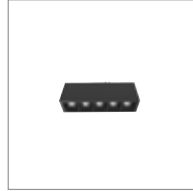
35766-01
Page 6



35759-01
Page 8



35758-01
Page 8



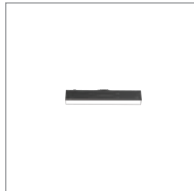
35757-01
Page 8



36374-01
Page 10



36373-01
Page 10



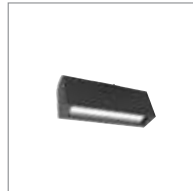
36372-01
Page 10



36377-01
Page 11



35765-01
Page 11



36376-01
Page 12



36379-01
Page 13



35763-01
Page 14

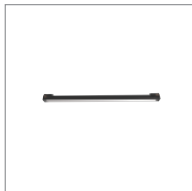


35764-01
Page 14

MAST LED



36500-01
Page 28



36499-01
Page 28



36498-01
Page 28



36512-01
Page 29



36513-01
Page 29



36520-01
Page 30



36517-01
Page 31

ROUTE LED



36458-01 (TRIAC)
36459-01 (0-10V)
Page 43



36460-01 (TRIAC)
36461-01 (0-10V)
Page 43



36456-01 (TRIAC)
36457-01 (0-10V)
Page 44



36465-01 (TRIAC)
36878-01 (0-10V)
Page 46



36463-01 (TRIAC)
36464-01 (0-10V)
Page 46



36462-01 (TRIAC)
36703-01 (0-10V)
Page 46



36455-01 (TRIAC)
36704-01 (0-10V)
Page 48



36453-01 (TRIAC)
36454-01 (0-10V)
Page 48



36451-01 (TRIAC)
36452-01 (0-10V)
Page 48

MUCCI LED



38136-016
Page 62



38135-019
Page 62



38134-012
Page 62



38133-015
Page 64



38132-018
Page 64



38131-011
Page 64



38138-010
Page 66



38204-012
Page 69



38205-019
Page 69



38142-017
Page 70



38140-013
Page 70



38141-010
Page 70

Function.

THUMBNAIL INDEX

CIRCUIT BOARD EXTRUSION

PENDANT LED



36053-018
Page 77



36104-017
Page 78



36166-015
Page 86



36162-017
Page 87

PENDANT / SURFACE MOUNT LED



36070-015
Page 79



36134-014
Page 80



36087-013
Page 81



36139-019
Page 82

PENDANT / WALL MOUNT LED



36112-012
Page 83



36121-014
Page 84

RECESSED LED



36081-011
Page 88



36098-019
Page 89

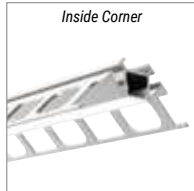


37641-016
Page 90

RECESSED TRIMLESS LED



36149-018
Page 100



36152-018
Page 100



36155-019
Page 100

WALL MOUNT / SURFACE MOUNT LED



36130-016
Page 102

PENDANT MOUNT LED



36158-010
Page 103

RECESSED TRIM LED



36767-014
Page 104



36764-013
Page 104



36771-011
Page 106



36768-011
Page 106

SURFACE MOUNT LED



36761-012
Page 107



36762-019
Page 107



36765-010
Page 108



36769-018
Page 108



36763-016
Page 110



36770-014
Page 110



36775-019
Page 110



36766-017
Page 111



36774-012
Page 111



36773-015
Page 112



36772-018
Page 112

Function.

THUMBNAIL INDEX

RECESSED MULTIPLES & DOWNLIGHTS

AMIGO LED 15W - TRIM COLLECTION LED



28721 (DOWNLIGHT)
Page 119



28722 (GIMBAL)
Page 120



28719 (DOWNLIGHT)
Page 121



28720 (GIMBAL)
Page 122



31765 (DOWNLIGHT)
Page 123



31763 (GIMBAL)
Page 124



31766 (DOWNLIGHT)
Page 125



31764 (GIMBAL)
Page 126

AMIGO LED 15W - TRIMLESS COLLECTION LED



28717 (DOWNLIGHT)
Page 127



28718 (GIMBAL)
Page 128



28715 (DOWNLIGHT)
Page 129



28716 (GIMBAL)
Page 130



36024 (DOWNLIGHT)
Page 131



36025 (GIMBAL)
Page 132



36026 (DOWNLIGHT)
Page 133



36027 (GIMBAL)
Page 134

AMIGO LED 26W - TRIM COLLECTION LED



35137 (DOWNLIGHT)
Page 139



35138 (GIMBAL)
Page 140



35141 (DOWNLIGHT)
Page 141



35142 (GIMBAL)
Page 142



35145 (DOWNLIGHT)
Page 143



35146 (GIMBAL)
Page 144



35147 (DOWNLIGHT)
Page 145



35148 (GIMBAL)
Page 146

AMIGO LED 26W - TRIMLESS COLLECTION LED



35139 (DOWNLIGHT)
Page 147



35140 (GIMBAL)
Page 148



35143 (DOWNLIGHT)
Page 149



35144 (GIMBAL)
Page 150



35355 (DOWNLIGHT)
Page 151



35356 (GIMBAL)
Page 152



35357 (DOWNLIGHT)
Page 153



35358 (GIMBAL)
Page 154

LED 15W - TRIM COLLECTION LED



TE161LED (GIMBAL)
Page 159



TE162LED (GIMBAL)
Page 161



TE163LED (GIMBAL)
Page 163



TE164BLED (GIMBAL)
Page 165



TE164ALED (GIMBAL)
Page 167

LED 15W - TRIMLESS COLLECTION LED



TE611LED (GIMBAL)
Page 160



TE612LED (GIMBAL)
Page 162

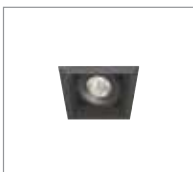


TE613LED (GIMBAL)
Page 164



TE614BLED (GIMBAL)
Page 166

LED 26W - TRIM COLLECTION LED



TE131LED (GIMBAL)
Page 173



TE132LED (GIMBAL)
Page 175



TE133LED (GIMBAL)
Page 177



TE134BLED (GIMBAL)
Page 179



TE134ALED (GIMBAL)
Page 181

Function.

THUMBNAIL INDEX

RECESSED MULTIPLES & DOWNLIGHTS

LED 26W - TRIMLESS COLLECTION LED



TE221LED (GIMBAL)
Page 174



TE222LED (GIMBAL)
Page 176



TE223LED (GIMBAL)
Page 178



TE224BLED (GIMBAL)
Page 180

GU10 - TRIM COLLECTION*



TE111GU10 (GIMBAL)
Page 187



TE112GU10 (GIMBAL)
Page 189



TE113GU10 (GIMBAL)
Page 191



TE114BGU10 (GIMBAL)
Page 193



TE114AGU10 (GIMBAL)
Page 195

GU10 - TRIMLESS COLLECTION*



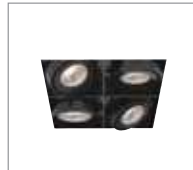
TE211GU10 (GIMBAL)
Page 188



TE212GU10 (GIMBAL)
Page 190



TE213GU10 (GIMBAL)
Page 192



TE214BGU10 (GIMBAL)
Page 194

PAR20 - COLLECTION*



TE161 (GIMBAL)
Page 199



TE162 (GIMBAL)
Page 200



TE163 (GIMBAL)
Page 201



TE164B (GIMBAL)
Page 202



TE164A (GIMBAL)
Page 203



TE166A (GIMBAL)
Page 204

PAR30 - TRIM COLLECTION*



TE131 (GIMBAL)
Page 207



TE132 (GIMBAL)
Page 209



TE133 (GIMBAL)
Page 211



TE134B (GIMBAL)
Page 213



TE134A (GIMBAL)
Page 215



TE136A (GIMBAL)
Page 216

PAR30 - TRIMLESS COLLECTION*



TE221 (GIMBAL)
 Page 208



TE222 (GIMBAL)
 Page 210



TE223 (GIMBAL)
 Page 212



TE224B (GIMBAL)
 Page 214

DIFFUSED LENS - COLLECTION LED



30303
 Page 219



30304
 Page 220



30305
 Page 221



30306
 Page 222



30307
 Page 223



30308
 Page 224

LINEAR PANEL LED



30345-010
 Page 231



30346-017
 Page 232

SURFACE MULTIPLE: SANTO COLLECTION LED



32687-019
 Page 250



32688-016
 Page 250



32689-013
 Page 250

SURFACE MULTIPLE: NYMARK COLLECTION LED



33617-015
 Page 252



33618-012
 Page 252



33619-019
 Page 252

SURFACE MULTIPLE: VENUE COLLECTION LED



27991-015
 Page 258



27992-012
 Page 258

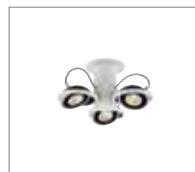


27993-019
 Page 258

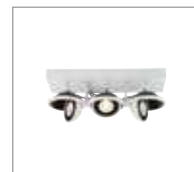
SURFACE MULTIPLE: VISION COLLECTION LED



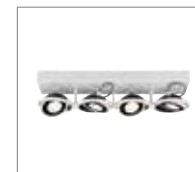
29489-015
 Page 254



29486-014
 Page 254



29488-018
 Page 255



29482-016
 Page 255



29485-017
 Page 256



29484-010
 Page 256

LED *LED COMPATIBLE

Function.

THUMBNAIL INDEX

RECESSED

2" LED



34894
Page 260



23283-015
Page 261



23284-012
Page 262

2 1/2" LED



34890
Page 263



34891
Page 264



34895
Page 265



34892
Page 266

3" LED



30351-011
Page 267



31903-011
Page 268

3 1/2" LED



34897
Page 269



34898
Page 270



31216
Page 271



31224
Page 272



31667
Page 273



31228-57
Page 274



31220-02
Page 275



31218-02
Page 276



31222-02
Page 277



31681-49
Page 278

4" LED



37145-019
Page 279



34896
Page 280



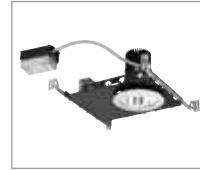
21809-019
Page 281



21968-013
Page 282



4RM
Page 283



4NC
Page 284



4AP
Page 285



29682
Page 286



29681
Page 287

6" LED



6RM
Page 288



6NC
Page 289



6AP
Page 290



29684
Page 291



29683
Page 292

8" LED



8RM
Page 294



8NC
Page 295



8AP
Page 296

4" ULTRA SLIM LED



28987
Page 298



28988
Page 298



31488
Page 299

6" ULTRA SLIM LED



28990
Page 299

Function.

THUMBNAIL INDEX

RECESSED

4" ULTRA SLIM: RIBBED LED



31242-02
Page 300



31243-02
Page 300

6" ULTRA SLIM: RIBBED LED



31244-02
Page 301



31245-02
Page 301

6" ULTRA SLIM: DOME LED



31434-02
Page 302



31433-02
Page 302

3" GU10*



TE04
Page 304



TE90
Page 304



TE01
Page 305



TE02
Page 305



TE06
Page 305



23660
Page 306



23286
Page 306



23287
Page 307



TR-A301
Page 307



23935-11
Page 308



23936-11
Page 308



24808
Page 309



23933-05
Page 310



23934-05
Page 310



24802-05
Page 311



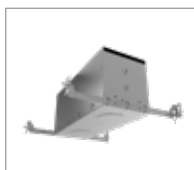
23931-05
Page 312



23932-05
Page 312



VHG-4N01-00
Page 313



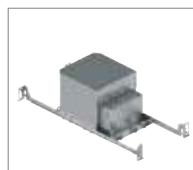
VHG-4I01-00
Page 313



GU3-00
Page 314



GUC3-00
Page 314



GUI3-00
Page 314

3 1/4" MR16 | GU10*



23937-05
Page 316



23938-05
Page 316



24799
Page 317



24800
Page 317



22751-10
Page 317



22748-10
Page 318



22749-10
Page 318



TR-G14
Page 319



TE98
Page 319



TR-G02
Page 320



21778
Page 321



21777
Page 321



TR-M07
Page 322



19597
Page 323



19596
Page 323



21779
Page 324



TR-G15-13
Page 326



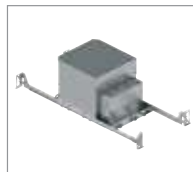
TE21
Page 326



TERE-325
Page 327



TENC-325B
Page 327



TEIN-325
Page 327



GU325
Page 328



VHG-4N01-00
Page 328



VHG-4I01-00
Page 328

4" MR16 | GU10*



19158
Page 329



14486
Page 329



19162
Page 330



R010
Page 332



R011
Page 332



R014
Page 333



19159
Page 333



R009
Page 334



R013
Page 334



23336
Page 335



23337
Page 335



TR-A401
Page 335

Function.

THUMBNAIL INDEX

RECESSED

4" MR16 | GU10*



R012
Page 336



19161-57
Page 336



GU325
Page 338



NC04-B
Page 338



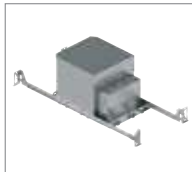
IC04
Page 338



GU4-00
Page 340



VHG-4N01-00
Page 340



GUI4-00
Page 340

ACCESSORIES



31278-010
Page 341



32553-017
Page 341



12997-015
Page 342



15024-015
Page 342



12998-012
Page 342



21948-018
Page 342



24119-016
Page 342



22277-015
Page 342



VHG-4N01-00
Page 343



VHG-4I01-00
Page 343

MODULAR TRACK



35455
Page 346



35456
Page 346



35457
Page 347



32362
Page 348



32361
Page 348



32360
Page 349



32363
Page 350



32364
Page 350



32365
Page 351



32366
Page 351



29680
Page 352



29678
Page 353



29676
Page 353



32983
Page 354



32984
Page 354



32367
Page 357



32986
Page 357



32985
Page 358



32988
Page 358



32987
Page 359



32991
Page 359



32990
Page 360



32989
Page 360



32992
Page 362



23346
Page 362



23348
Page 363



23350
Page 363



32993
Page 365



29670
Page 366



29672
Page 366



27996
Page 367



TK-HGP38
Page 368



TK-HGP30
Page 368



TK-HGP20
Page 369



23403
Page 369



23402
Page 370

Function.

THUMBNAIL INDEX

TRACK LIGHTING

MODULAR TRACK



23401
Page 370



29674
Page 371



23410
Page 371



23406
Page 371



29673
Page 372



23405
Page 372



23404
Page 372



23409
Page 373



23407
Page 373



23359
Page 373



33218
Page 374



TK-1VTX3
Page 374

ACCESSORIES



1002
Page 376



1004
Page 376



1008
Page 376



1615
Page 376



1510
Page 377



1617
Page 377



1560
Page 378



1570
Page 378



1530
Page 379



1540
Page 379



1550
Page 380

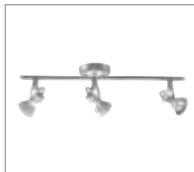


ADP
Page 380

FIXED TRACK



TK-5VTX3
Page 381



TK-3VTX3
Page 381



13733
Page 382



13732
Page 382

CEILING MOUNTS



29003-30-13
Page 384



29003-30-023
Page 384



29002-30-028
Page 384



30131-30-019
Page 385



30130-30-012
Page 385



30156-012
Page 386



30160-019
Page 387



30159-013
Page 387



30163-010
Page 388



30162-013
Page 388



30161-016
Page 388



32695-014
Page 389



32694-017
Page 389



30141-018
Page 390



30142-015
Page 390



30150-010
Page 391



30152-014
Page 391



30154-018
Page 392



30153-011
Page 392



30169-012
Page 393



30170-018
Page 393



30157-019
Page 394



30158-016
Page 394



26631-011
Page 395



26631-028
Page 395



26634-012
Page 396



26634-029
Page 396



26634-036
Page 396



26637-020
Page 397



26637-013
Page 397



26636-023
Page 398



26636-016
Page 398



30126-35-015
Page 399



30125-30-018
Page 399



30124-30-011
Page 399



30140-011
Page 400

Function.

THUMBNAIL INDEX

WALL & FLUSHMOUNTS

CEILING MOUNTS



33227-30-016
Page 400



29816-019
Page 401



29815-012
Page 401



28157-014
Page 402



32682-014
Page 403



32681-017
Page 403



32684-018
Page 404



32683-011
Page 404



30309-012
Page 405



30310-018
Page 405



26145-013
Page 406



26144-016
Page 406



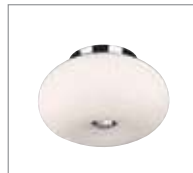
16620-048
Page 407



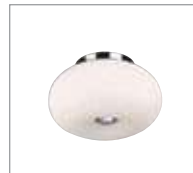
16621-015
Page 407



16622-012
Page 407



12895-052
Page 408



12894-055
Page 408



20371-029
Page 409



23222-014
Page 409



25676-013
Page 410



25675-016
Page 410



31811-019
Page 411



31810-012
Page 411



22944-016
Page 412



22943-019
Page 412



15330-045
Page 413



30033-016
Page 414

WALL MOUNTS



31637-015
Page 416



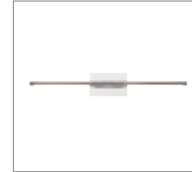
31636-018
Page 416



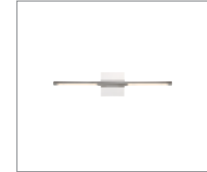
31634-014
Page 416



32878-011
Page 417



32877-014
Page 417



32876-017
Page 417



32122-015
Page 418



32121-018
Page 418



31818-018
Page 419



31817-011
Page 419



30144-019
Page 420



30143-012
Page 420



31812-016
Page 421



30185-012
Page 421



31805-018
Page 422



31804-11
Page 422



31814-010
Page 423



30190-016
Page 423



30191-013
Page 423



30194-014
Page 424



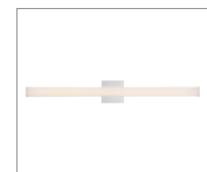
31816-014
Page 424



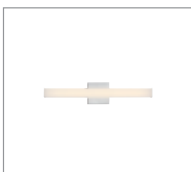
31813-013
Page 425



30187-016
Page 425



30192-010
Page 426



31815-017
Page 426



30180-017
Page 427



30180-024
Page 427



23273-030
Page 428



30179-011
Page 429



30179-028
Page 429



23272-019
Page 430



23272-026
Page 430



30181-014
Page 431



30181-021
Page 431



23271-012
Page 432



23271-029
Page 432

Function.

THUMBNAIL INDEX

WALL & FLUSHMOUNTS

WALL MOUNTS



23271-036
Page 432



33228-013
Page 433



30148-017
Page 433



31438-018
Page 434



31789-011
Page 434



31800-013
Page 435



31793-018
Page 435



33230-016
Page 436



30146-013
Page 436



28019-015
Page 437



28023-012
Page 437



23274-013
Page 438



23274-020
Page 438



SC-2SNE-25
Page 439



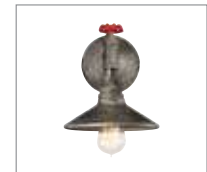
SC-1SNE-25
Page 439



19424-019
Page 440



19424-026
Page 440



30032-019
Page 441



23070-011
Page 441



30168-015
Page 442

LED MIRRORS



37136-017
Page 448



37137-014
Page 448



37138-011
Page 450



37139-018
Page 450



37140-014
Page 452



37141-011
Page 452



35885-016
Page 454



31479-011
Page 456



31478-014
Page 456



31482-015
Page 458



31486-019
Page 458



31481-018
Page 458



31483-012
Page 458



29107-018
Page 460



29108-015
Page 460



28019-015
Page 462

Function.

THUMBNAIL INDEX

EXTERIOR LIGHTING

120V BOLLARD



31912-020
Page 466



31909-027
Page 468



31911-023
Page 468



31923-026
Page 470



31922-029
Page 470



31916-028
Page 471



31915-021
Page 471



31914-024
Page 472



31913-027
Page 472



31918-022
Page 474



31919-029
Page 476



31921-022
Page 476

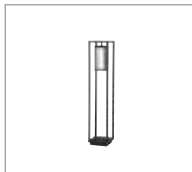


31920-025
Page 476

120V COLLECTION



34123-010
Page 477



34122-013
Page 477



34124-017
Page 478



34125-014
Page 478

120V IN-GROUND



32189-018
 Page 480



32190-014
 Page 480



32191-011
 Page 480



32192-018
 Page 480



32188-011
 Page 482



31595-018
 Page 484



31596-015
 Page 484



32193-015
 Page 484



32194-012
 Page 484



19552-019
 Page 485



14746-017
 Page 486

120V SURFACE MOUNT



34174-012
 Page 488



34175-026
 Page 488



34172-018
 Page 489



28293-026
 Page 489



28277-019
 Page 490



31580-021
 Page 490



34117-019
 Page 492



34118-016
 Page 492



35852-018
 Page 493



35853-015
 Page 493



35854-012
 Page 493



35855-019
 Page 493

Function.

THUMBNAIL INDEX

EXTERIOR LIGHTING

120V SURFACE MOUNT



34121-016
Page 494



34120-019
Page 494



34116-012
Page 495



35857-013
Page 495



35856-016
Page 496



34119-013
Page 496



31581-011
Page 497



28282-020
Page 497



31589-017
Page 498



28281-023
Page 498



28288-015
Page 499



28280-026
Page 499



31578-011
Page 500



28287-025
Page 500



28289-029
Page 502



28275-022
Page 502



28297-024
Page 503



28296-010
Page 503



31585-026
Page 504



28284-017
Page 505



31582-025
Page 505



31587-013
Page 506



31586-023
Page 506



28290-018
Page 507



28291-022
Page 507



28295-013
Page 508



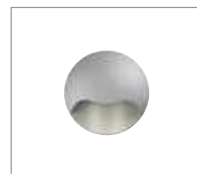
28292-029
Page 508



28285-014
Page 509



28283-027
Page 509



31583-015
Page 510

120V IN-WALL



28301-011
Page 510



28302-018
Page 511



19210-018
Page 511



19209-012
Page 511



19204-017
Page 512



19202-013
Page 512



19205-014
Page 512



19206-011
Page 512



19203-010
Page 512



19201-016
Page 512



31592-017
Page 514



31591-010
Page 514



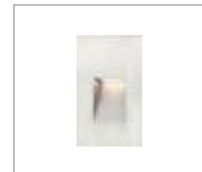
31576-024
Page 516



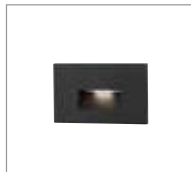
31590-013
Page 516



28294-023
Page 517



36051-014
Page 518



36046-025
Page 518



30286-016
Page 520



30287-020
Page 520



30288-010
Page 520



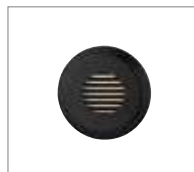
30289-017
Page 520



36038-026
Page 521



36041-034
Page 522



36033-023
Page 522



32150-018
Page 523



32151-015
Page 523



14751-011
Page 524

Function.

THUMBNAIL INDEX

EXTERIOR LIGHTING

LED SCONCE / SIGN



31437-011
Page 526



31436-014
Page 526



31435-017
Page 526

120V COMMERCIAL



22534-019
Page 528



26078-014
Page 529



26079-011
Page 529



23250-017
Page 530



23251-014
Page 530

120V DECORATIVE



35933-014
Page 534



35934-011
Page 534



35935-018
Page 534



35951-018
Page 516



35950-011
Page 516



35888-017
Page 518



35887-027
Page 518



37074-012
Page 540



37073-015
Page 540



37075-019
Page 540



34139-011
Page 542



34138-014
Page 542

120V DECORATIVE



35892-014
 Page 544



35891-017
 Page 544



35947-011
 Page 546



35946-014
 Page 546



35890-010
 Page 548



35889-014
 Page 548



35989-011
 Page 550



35988-014
 Page 550



33692-012
 Page 552



33693-019
 Page 552



33690-018
 Page 554



33689-012
 Page 554



33688-015
 Page 554



28055-013
 Page 555



28054-016
 Page 555



28053-019
 Page 555



25604-016
 Page 556



25602-012
 Page 556



25843-019
 Page 556



25842-012
 Page 556



35981-015
 Page 558



35982-012
 Page 558



35980-018
 Page 559



35979-012
 Page 560



35978-015
 Page 560





CONSTRUCT LED

ULTIMATE SLIM

24V DC LOW VOLTAGE MODULAR SYSTEM

The Construct line offers flexible lighting solutions across all specifications to meet various demands. With surface, pendant, and recessed mounting options, this lighting system allows for specific customization, from residential art galleries, kitchens, foyers and offices to commercial / industrial applications of reception areas, boardrooms, retail stores and more.



MODULAR SYSTEM

CONSTRUCT LED

MODULE COLLECTION



SUSPENDED
Page 6



MULTIPLE
Page 8



LENS
Page 10



DUAL BAFFLE
Page 11



DUAL LENS
Page 11



WALL WASH
Page 12



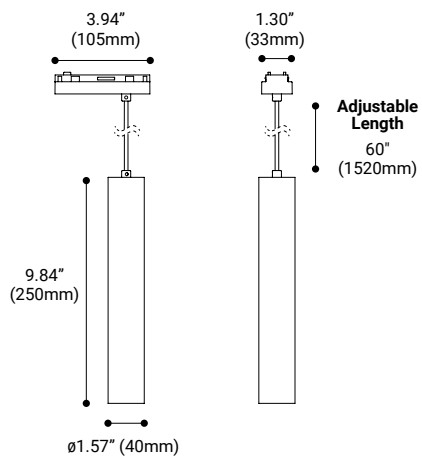
MULTIPLE SPOT
Page 13



SPOT
Page 14



MODULAR SYSTEM
CONSTRUCT
SUSPENDED



35766-01

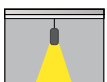
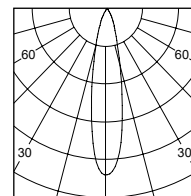
SPECIFICATIONS

Integrated LED
LED Consumption: 6.4W
Delivered Lumens: 330LM
Beam Angle: 20°
Kelvin: 3000K
CRI: 90+
Voltage: 24V DC

COLOR

Finishes: Black

H(m)	D(m)	E(lx)
20°		
1.0	0.37	1755
2.0	0.75	438
3.0	1.12	194
4.0	1.49	109
5.0	1.86	70

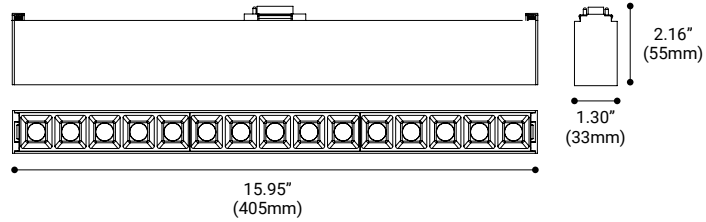


IP20

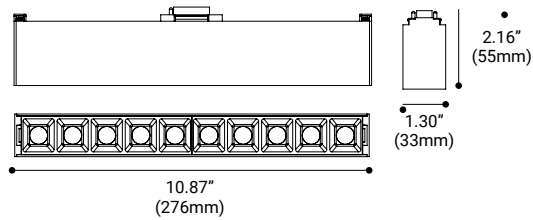
MULTIPLE



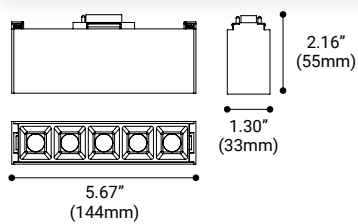
35759-01



35758-01



35757-01





35759-01

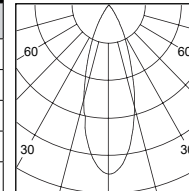
SPECIFICATIONS

Integrated **LED**
LED Consumption: 33W
Delivered Lumens: 2300lm
Beam Angle: 25°
Kelvin: 3000K
CRI: 90+
Voltage: 24V DC

COLOR

Finishes: Black

H(m)	D(m)	E(lx)
25°		
1.0	0.61	5243
2.0	1.23	1311
3.0	1.84	582
4.0	2.46	327
5.0	3.08	209



35758-01

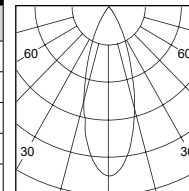
SPECIFICATIONS

Integrated **LED**
LED Consumption: 22W
Delivered Lumens: 1520LM
Beam Angle: 25°
Kelvin: 3000K
CRI: 90+
Voltage: 24V DC

COLOR

Finishes: Black

H(m)	D(m)	E(lx)
25°		
1.0	0.61	3610
2.0	1.22	902
3.0	1.84	401
4.0	2.45	225
5.0	3.06	144



35757-01

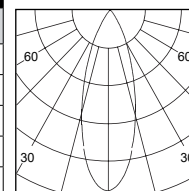
SPECIFICATIONS

Integrated **LED**
LED Consumption: 11W
Delivered Lumens: 750LM
Beam Angle: 25°
Kelvin: 3000K
CRI: 90+
Voltage: 24V DC

COLOR

Finishes: Black

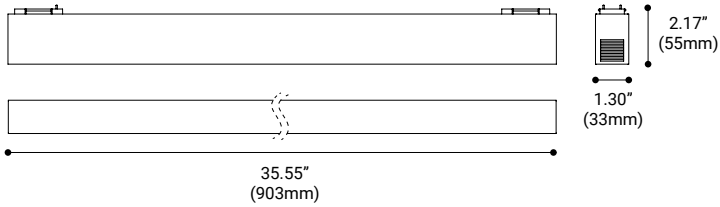
H(m)	D(m)	E(lx)
25°		
1.0	0.62	1854
2.0	1.24	463
3.0	1.86	206
4.0	2.48	115
5.0	3.10	74



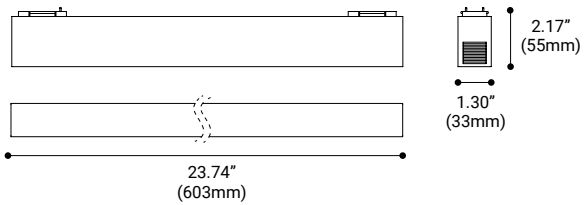
IP20

LENS

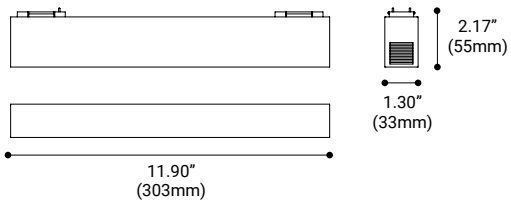
36374-01



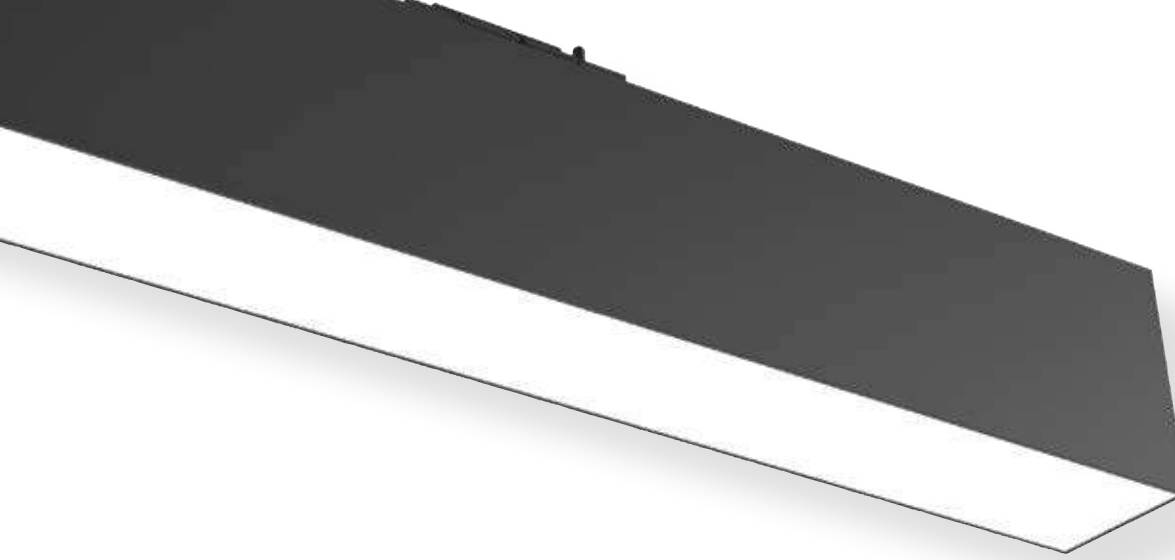
36373-01



36372-01



LENS



36374-01

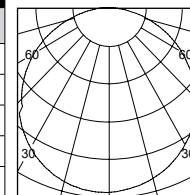
SPECIFICATIONS

Integrated **LED**
LED Consumption: 27.5W
Delivered Lumens: 1610LM
Beam Angle: 115°
Kelvin: 3000K
CRI: 80+
Voltage: 24V DC

COLOR

Finishes: Black

H(m)	D(m)	E(lx)
115°		
1.0	3.05	342
2.0	6.10	85
3.0	9.16	38
4.0	12.21	21
5.0	15.27	13



36373-01

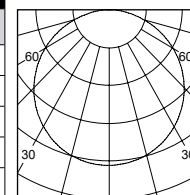
SPECIFICATIONS

Integrated **LED**
LED Consumption: 19W
Delivered Lumens: 1110LM
Beam Angle: 115°
Kelvin: 3000K
CRI: 80+
Voltage: 24V DC

COLOR

Finishes: Black

H(m)	D(m)	E(lx)
115°		
1.0	3.16	209
2.0	6.32	52
3.0	9.48	23
4.0	12.64	13
5.0	15.80	8



36372-01

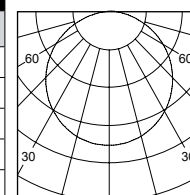
SPECIFICATIONS

Integrated **LED**
LED Consumption: 10W
Delivered Lumens: 570LM
Beam Angle: 115°
Kelvin: 3000K
CRI: 80+
Voltage: 24V DC

COLOR

Finishes: Black

H(m)	D(m)	E(lx)
115°		
1.0	3.05	106
2.0	6.10	26
3.0	9.15	11
4.0	12.20	6
5.0	15.26	4



IP20

CONSTRUCT

DUAL BAFFLE & DUAL LENS



36377-01

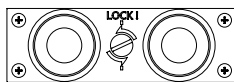
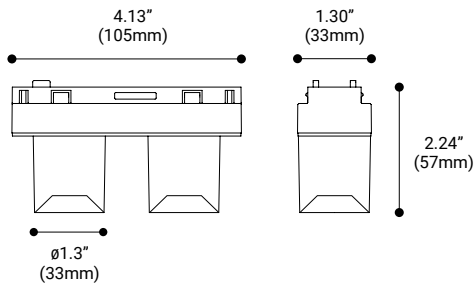
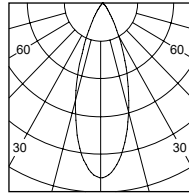
SPECIFICATIONS

Integrated LED
LED Consumption: 4.5W
Delivered Lumens: 330LM
Beam Angle: 35°
Kelvin: 3000K
CRI: 90+
Voltage: 24V DC

COLOR

Finishes: Black

H(m)	D(m)	E(lx)
35°		
1.0	0.62	753
2.0	1.25	188
3.0	1.88	83
4.0	2.51	47
5.0	3.14	30



35765-01

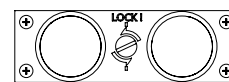
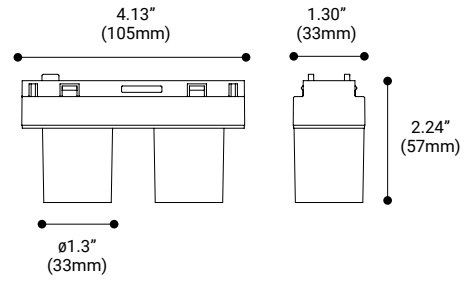
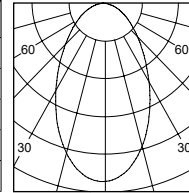
SPECIFICATIONS

Integrated LED
LED Consumption: 4.5W
Delivered Lumens: 200LM
Beam Angle: 80°
Kelvin: 3000K
CRI: 90+
Voltage: 24V DC

COLOR

Finishes: Black

H(m)	D(m)	E(lx)
80°		
1.0	1.19	57
2.0	2.39	14
3.0	3.59	6
4.0	4.79	3
5.0	5.99	2



MODULAR SYSTEM
CONSTRUCT
WALL WASH



36376-01

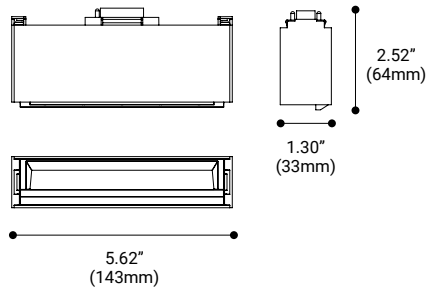
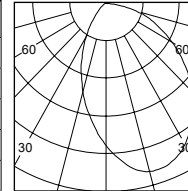
SPECIFICATIONS

Integrated LED
LED Consumption: 11W
Delivered Lumens: 510LM
Beam Angle: 70° (Wall Wash)
Kelvin: 3000K
CRI: 90+
Voltage: 24V DC

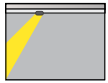
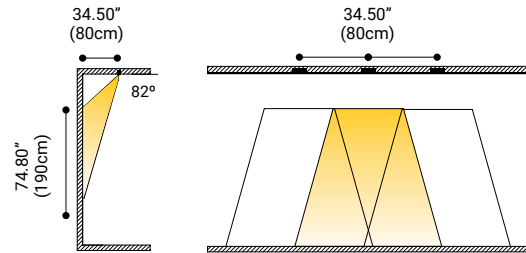
COLOR

Finishes: Black

H(m)	D(m)	E(lx)
70°		
1.0	1.45	256
2.0	2.90	64
3.0	4.35	28
4.0	5.80	16
5.0	7.25	10



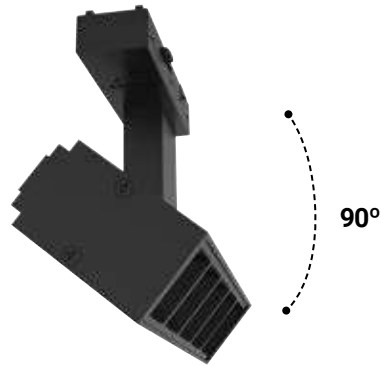
LIGHT DISTRIBUTION



IP20



MULTIPLE SPOT



36379-01

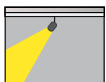
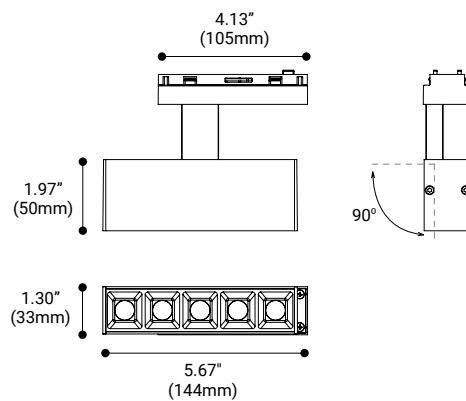
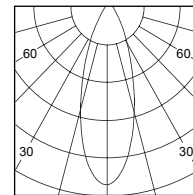
SPECIFICATIONS

Integrated LED
LED Consumption: 11W
Delivered Lumens: 790LM
Beam Angle: 30°
Kelvin: 3000K
CRI: 90+
Voltage: 24V DC

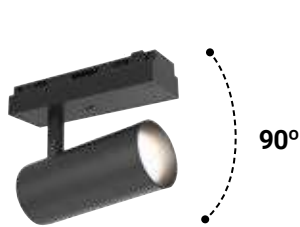
COLOR

Finishes: Black

H(m)	D(m)	E(lx)
30°		
1.0	0.62	1854
2.0	1.24	463
3.0	1.86	206
4.0	2.48	115
5.0	3.10	74



IP20



35763-01

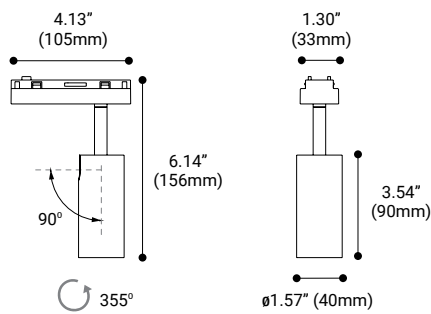
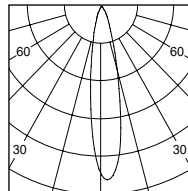
SPECIFICATIONS

Integrated LED
LED Consumption: 6.4W
Delivered Lumens: 330LM
Beam Angle: 20°
Kelvin: 3000K
CRI: 90+
Voltage: 24V DC

COLOR

Finishes: Black

H(m)	D(m)	E(lx)
20°		
1.0	0.34	1834
2.0	0.68	458
3.0	1.02	203
4.0	1.37	114
5.0	1.71	73



35764-01

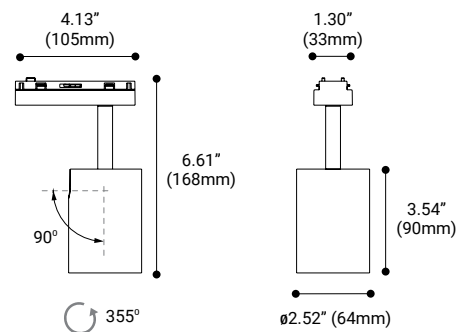
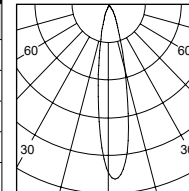
SPECIFICATIONS

Integrated LED
LED Consumption: 13.5W
Delivered Lumens: 770LM
Beam Angle: 20°
Kelvin: 3000K
CRI: 90+
Voltage: 24V DC

COLOR

Finishes: Black

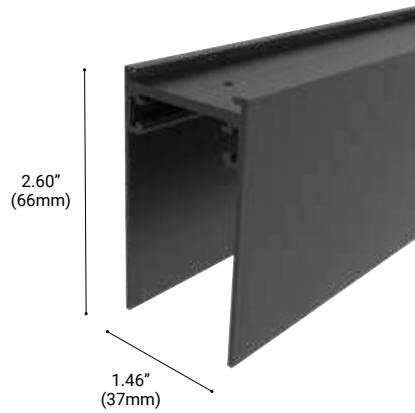
H(m)	D(m)	E(lx)
20°		
1.0	0.34	1834
2.0	0.68	458
3.0	1.02	203
4.0	1.37	114
5.0	1.71	73



MODULAR SYSTEM

CONSTRUCT

SURFACE MOUNT+ PENDANT



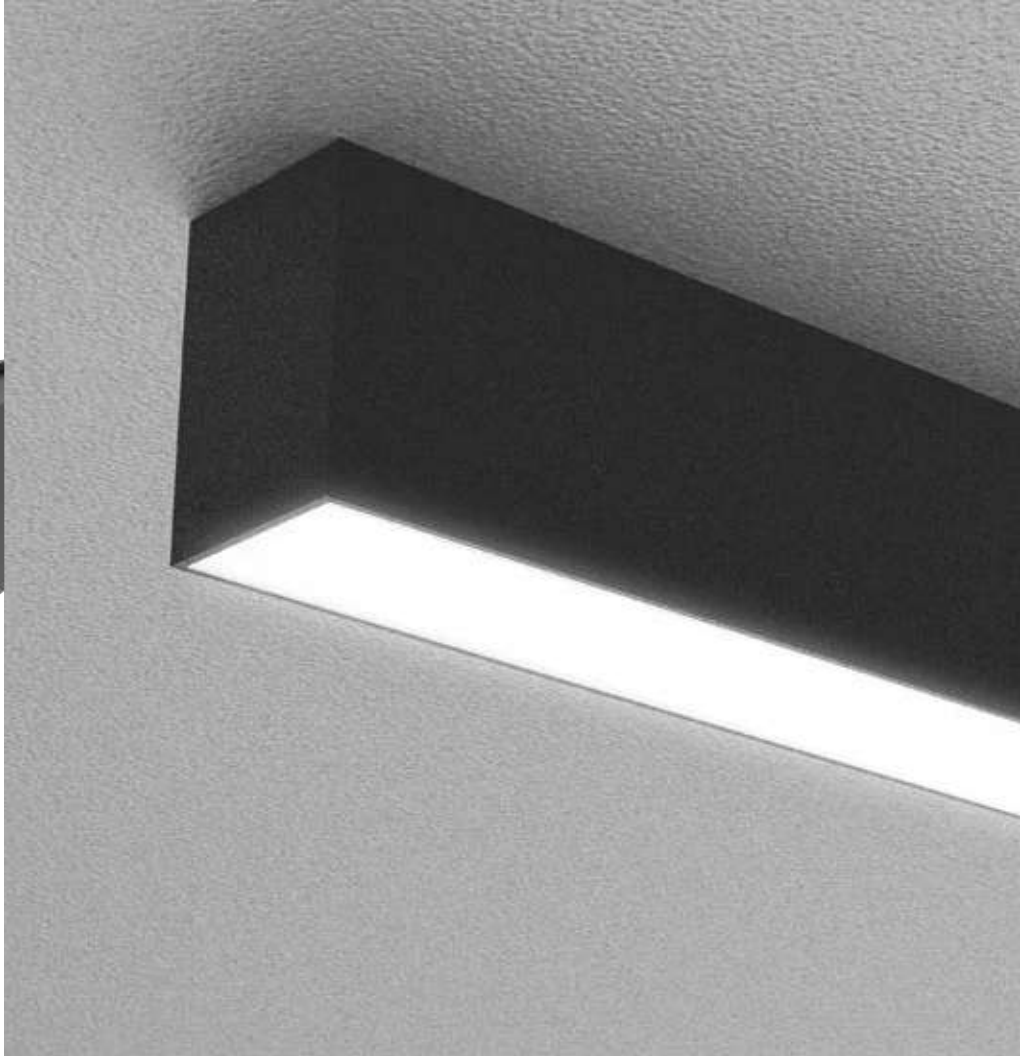
AVAILABLE LENGTHS

35767-01*	3ft. (914mm)
35768-01*	6ft. (1828mm)
35769-01*	8ft. (2438mm)

COLOR

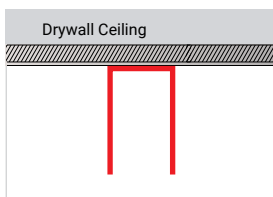
Finishes: Black

*Field Cuttable. Please consult factory.

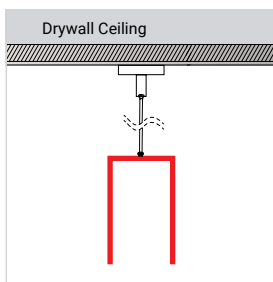


ACCESSORIES

Surface Mount

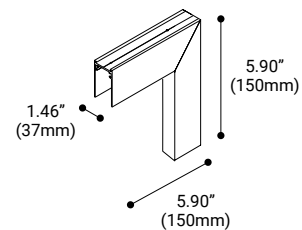


Pendant Mount



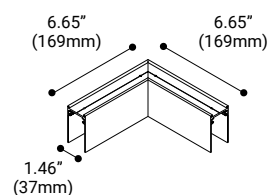
36702-01

Vertical Corner L-Shaped Connector for Surface-to-Wall

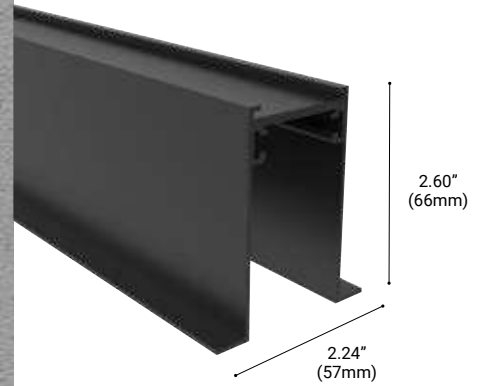
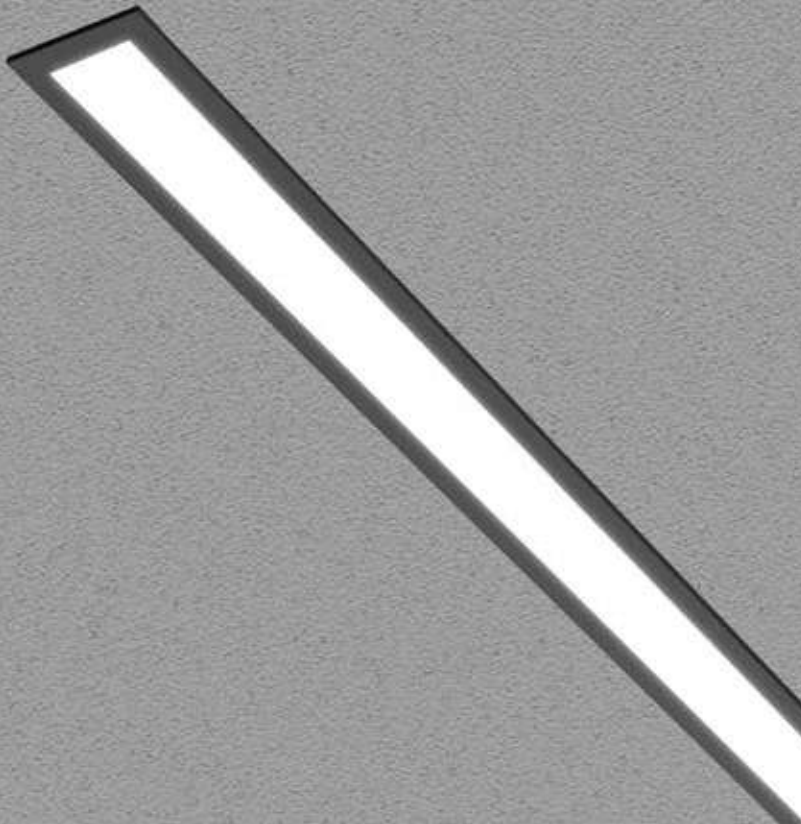


35814-01

Horizontal Corner L-Shaped Connector for Ceiling



TRIM RECESSED



AVAILABLE LENGTHS

35771-01*	3ft. (914mm)
35772-01*	6ft. (1828mm)
35773-01*	8ft. (2438mm)

COLOR

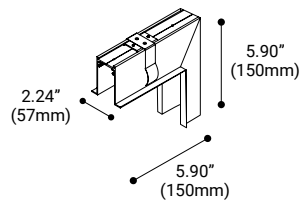
Finishes: Black

*Field Cuttable. Please consult factory.

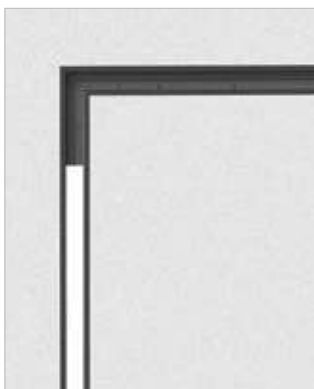
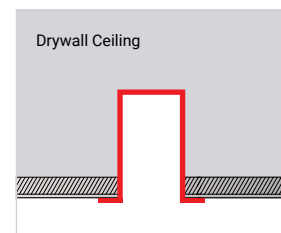
ACCESSORIES



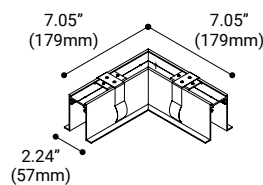
36734-01
Vertical Corner L-Shaped
Connector for Surface-to-Wall



Trim Recessed



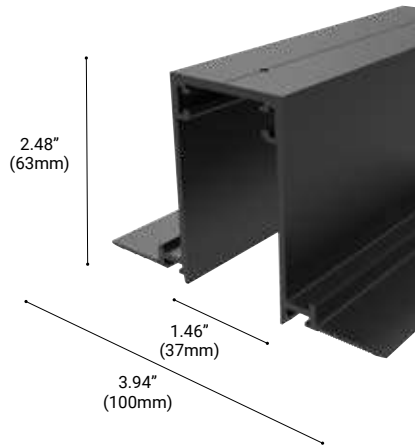
35781-01
Horizontal Corner L-Shaped
Connector for Ceiling



MODULAR SYSTEM

CONSTRUCT

TRIMLESS RECESSED



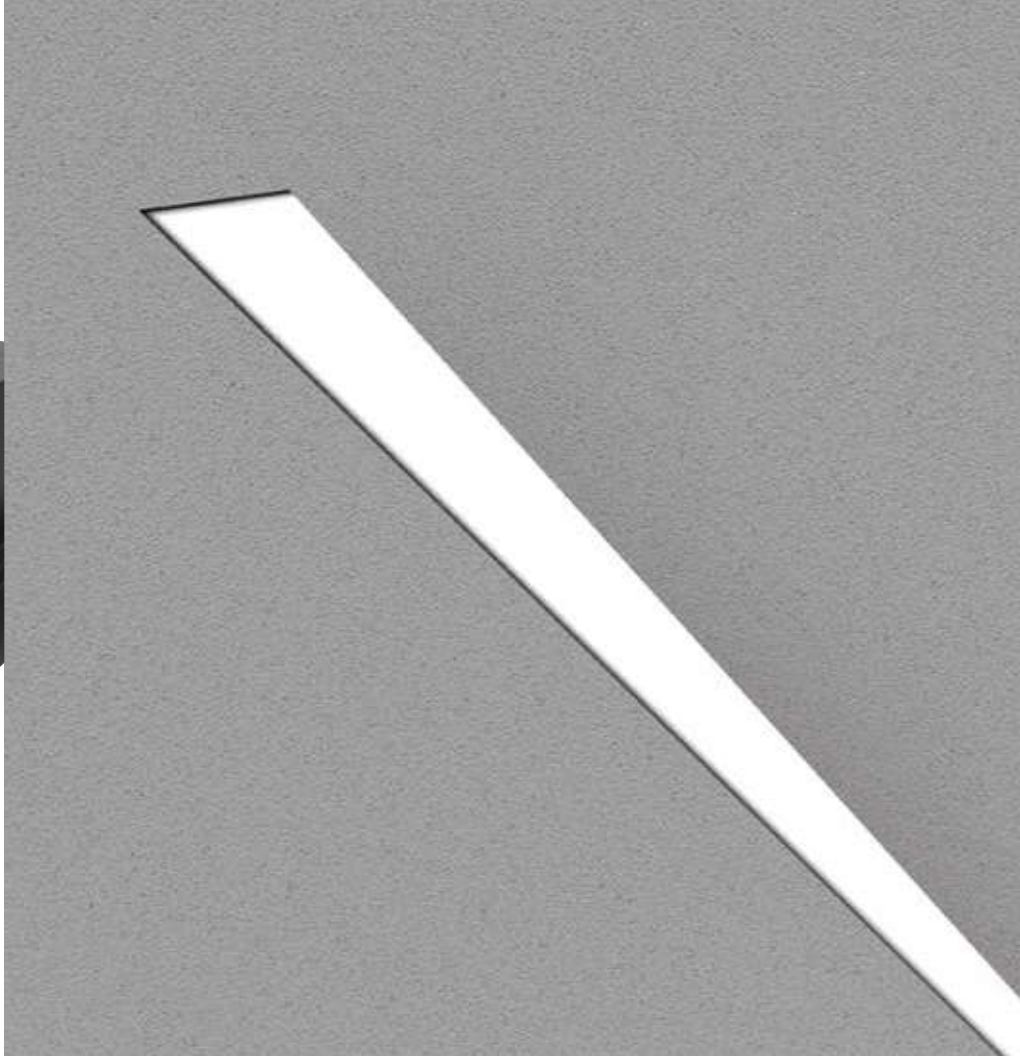
AVAILABLE LENGTHS

35775-01*	3ft. (914mm)
35776-01*	6ft. (1828mm)
35777-01*	8ft. (2438mm)

COLOR

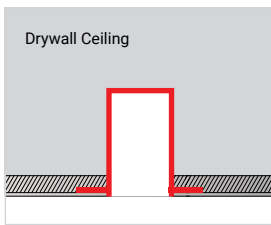
Finishes: Black

*Field Cuttable. Please consult factory.



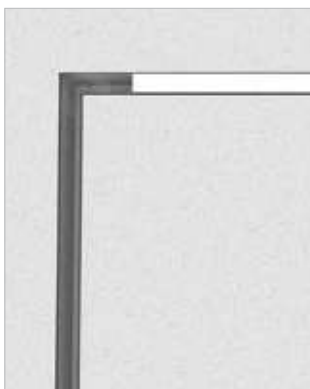
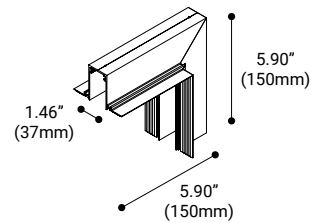
ACCESSORIES

Trimless Recessed



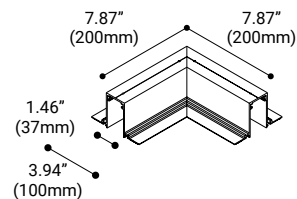
35779-01

Vertical Corner L-Shaped
Connector for Surface-to-Wall



35780-01

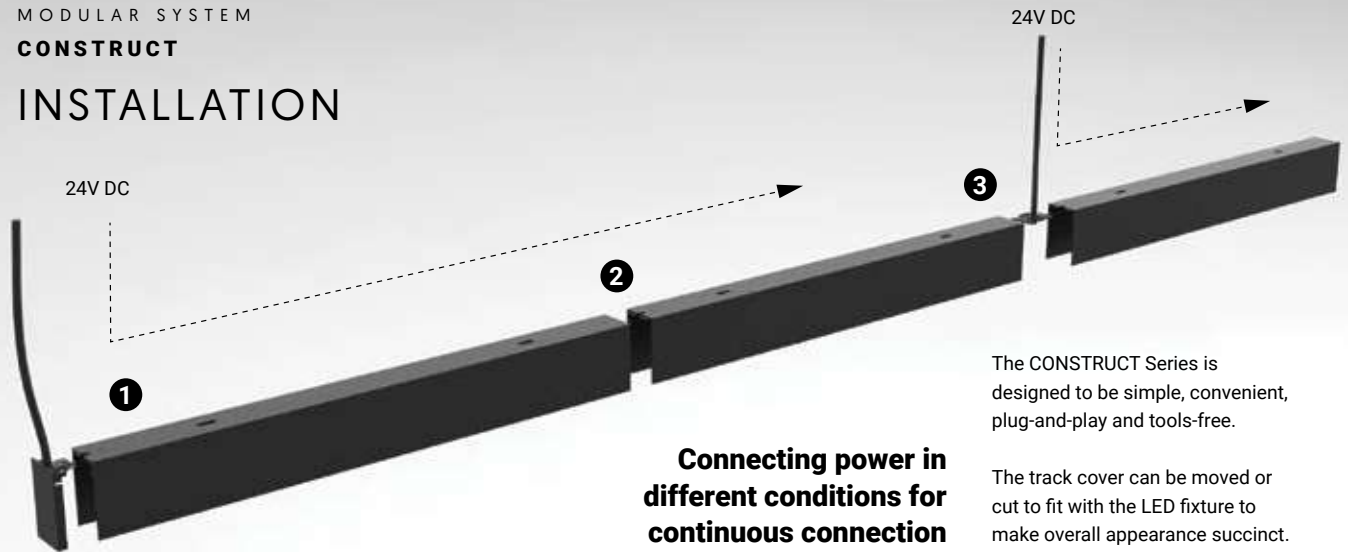
Horizontal Corner L-Shaped
Connector for Ceiling



ACCESSORIES

		PENDANT	SURFACE MOUNTED	TRIM RECESSED TRACK	TRIMLESS RECESSED TRACK
CIRCUIT JOINT 36361-01		•			
CIRCUIT JOINT 36362-01			•	•	•
POWER JOINT 36363-01 Wire Length: 78.74" (200cm)		•			
POWER JOINT 36364-01 Wire Length: 78.74" (200cm)			•	•	•
END CAP WITH POWER CORD 36368-01 Wire Length: 78.74" (200cm)		•	•		•
END CAP WITH POWER CORD 36369-01 Wire Length: 78.74" (200cm)				•	
END CAP WITHOUT POWER CORD 36370-01		•	•		•
END CAP WITHOUT POWER CORD 36371-01				•	
SURFACE MOUNTED CLIP 35795-015			•		
PENDANT KIT WITH CANOPY 35796-015		•			
PENDANT KIT 35797-012		•			
PC COVER - FROSTED LENS 35799-02 Length: 13ft. (4000mm) 35800-02 Length: 49ft. (15,000mm)		•	•	•	•

INSTALLATION

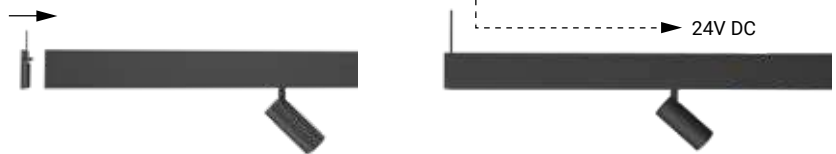
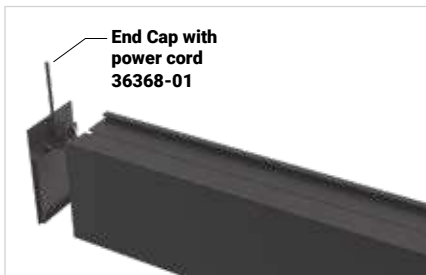


The CONSTRUCT Series is designed to be simple, convenient, plug-and-play and tools-free.

The track cover can be moved or cut to fit with the LED fixture to make overall appearance succinct.

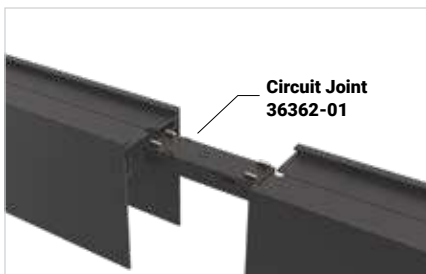
Connecting power in different conditions for continuous connection

1 Single Power on a Single Track



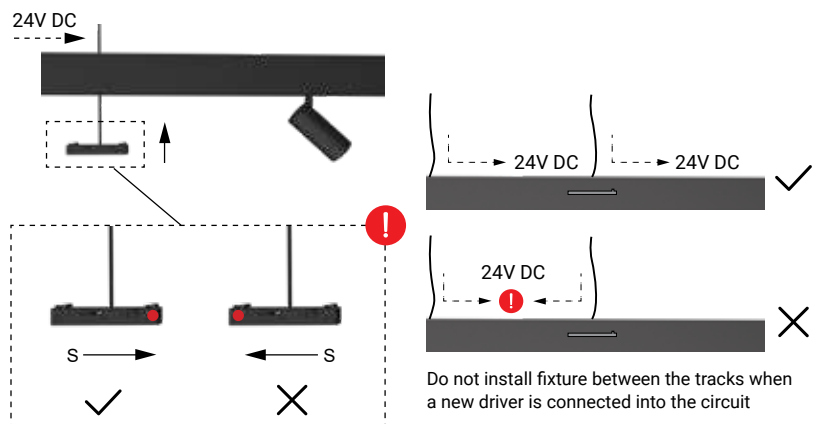
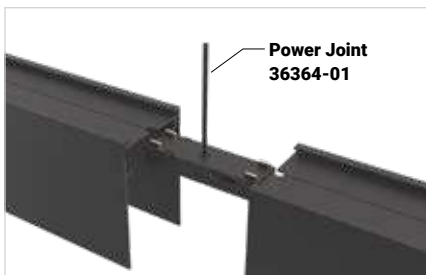
Using power end cap (36368-01) as power feed

2 Single Power on Multiple Tracks



Using circuit joint (36362-01) to connect between tracks

3 Multiple Powers on Multiple Tracks



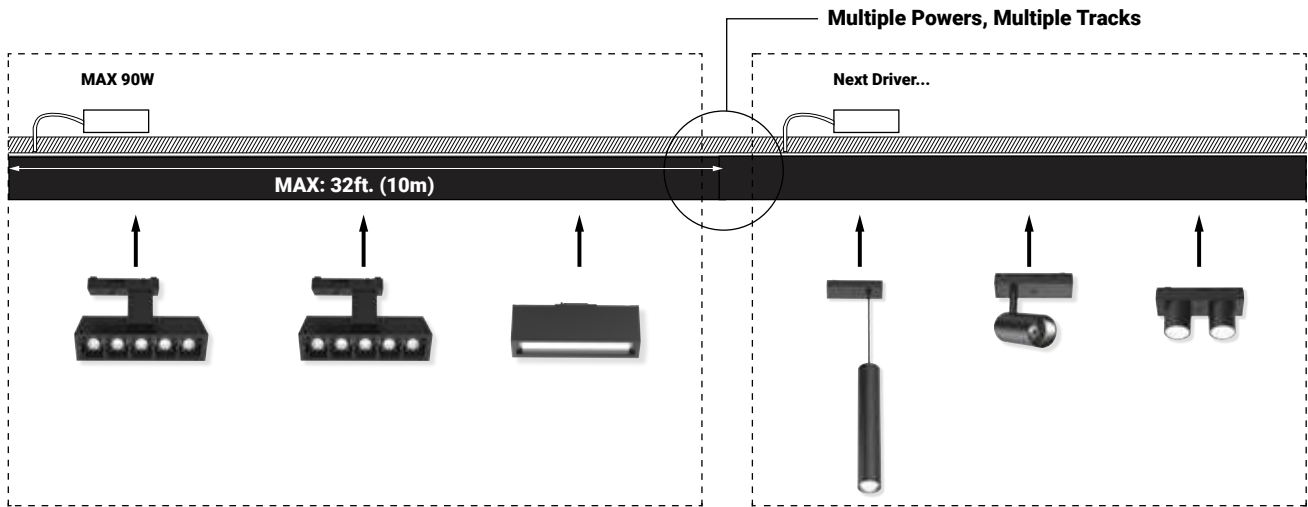
Do not install fixture between the tracks when a new driver is connected into the circuit

Using power joint (36364-01) to connect more drivers

INSTALLATION

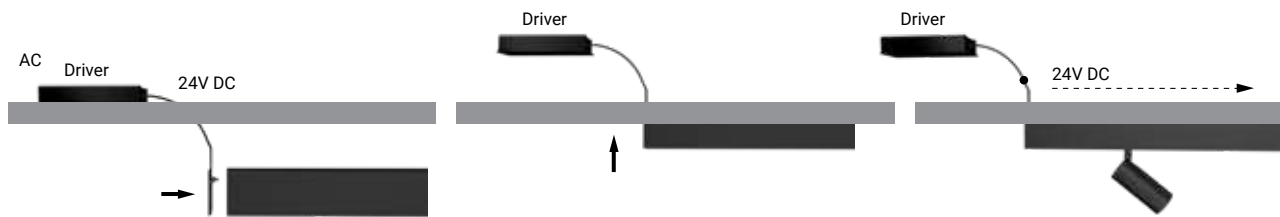


Tracks function as continuous linkable units without limitation. They can also divide into sections to light up individual area, making lighting application easy as 1-2-3.



CONSTRUCT DRIVER INSTALLATION

[Remote Location]



CONSTRUCT POWER SUPPLY

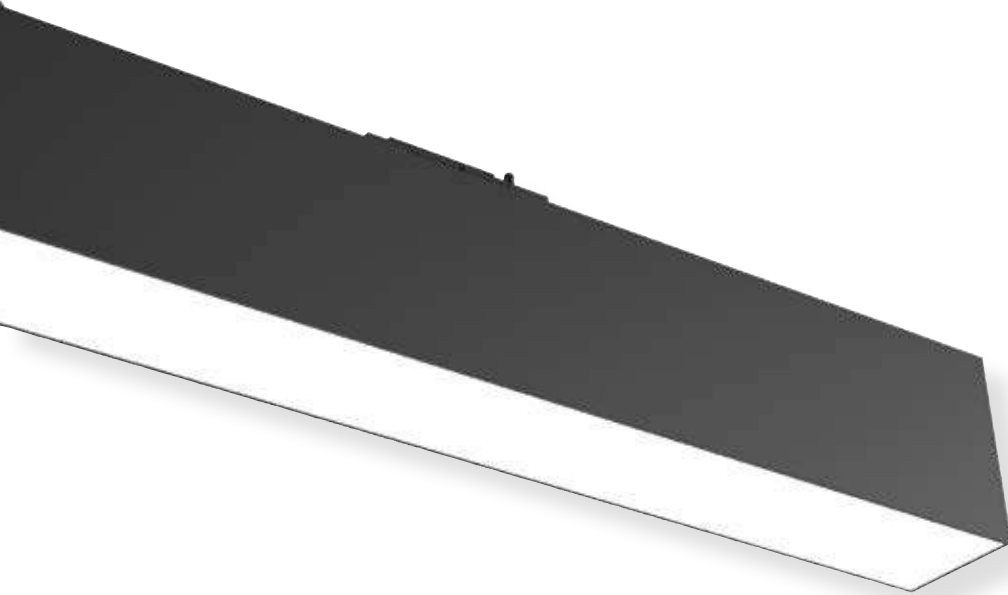


24V DC Driver

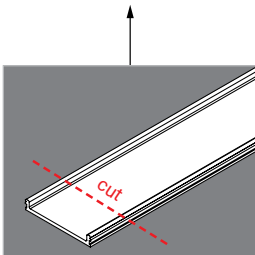
ITEM#: _____
30264-014
 POWER: _____
24V (DC-96W)

Connecting Lens
for a seamless
appearance

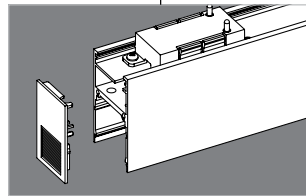
INSTALLATION



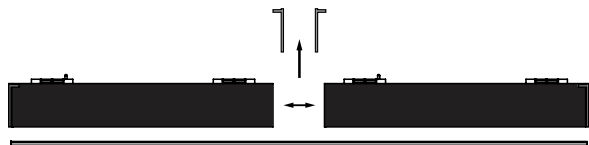
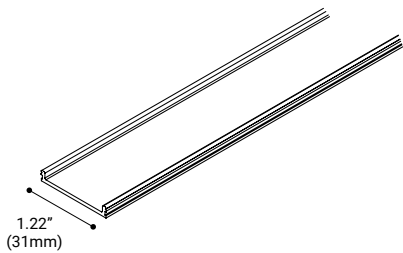
PC cover



PC cover can be cut into required length



Remove the end cap from CONSTRUCT - Lens module, the modules can be installed next to each other, then use longer PC cover to make seamless appearance.



PC COVER - FROSTED LENS

ITEM NUMBER

35799-02 13ft. (4000mm)

35800-02 49ft. (15000mm)

COLOR

Finishes: Frosted White





MAST LED

24V DC LOW VOLTAGE MODULAR SYSTEM

The low voltage modular system suits various lighting applications ranging from residential accent focal lighting to restaurant and retail store purposes. Using soft lines, this unobstructed lighting system delivers light where its needed.



MODULAR SYSTEM

MAST ^{LED}

MODULE COLLECTION



LENS
Page 28



SPOT
Page 29



MINI SPOT
Page 29



SUSPENDED
Page 30

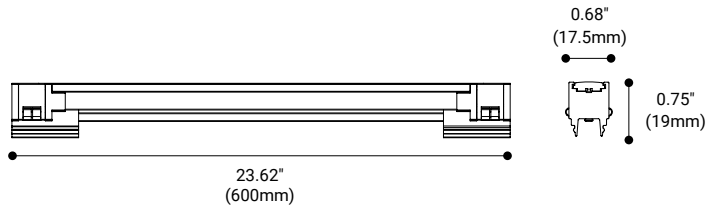


MULTIPLES
Page 31

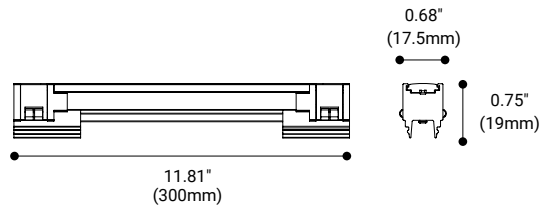
LENS



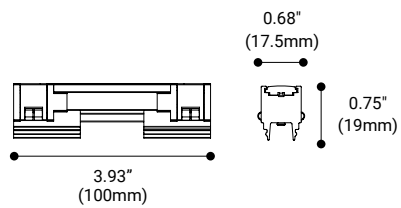
36500-01



36499-01



36498-01





36500-01 LENS x2

36500-01

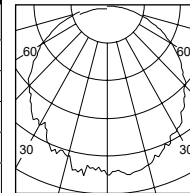
SPECIFICATIONS

Integrated LED
LED Consumption: 12W
Delivered Lumens: 710LM
Beam Angle: 110°
Kelvin: 3000K
CRI: 90+
Voltage: 24V DC

COLOR

Finishes: Black

H(m)	D(m)	E(lx)
110°		
1.0	2.88	223
2.0	5.76	55
3.0	8.64	24
4.0	11.52	14
5.0	14.40	8



36499-01

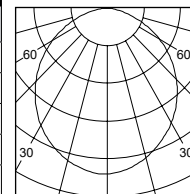
SPECIFICATIONS

Integrated LED
LED Consumption: 6W
Delivered Lumens: 390LM
Beam Angle: 110°
Kelvin: 3000K
CRI: 90+
Voltage: 24V DC

COLOR

Finishes: Black

H(m)	D(m)	E(lx)
110°		
1.0	2.52	129
2.0	5.04	32
3.0	7.56	14
4.0	10.09	8
5.0	12.61	5



36498-01

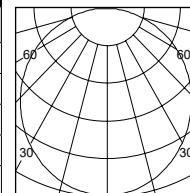
SPECIFICATIONS

Integrated LED
LED Consumption: 2W
Delivered Lumens: 130LM
Beam Angle: 110°
Kelvin: 3000K
CRI: 90+
Voltage: 24V DC

COLOR

Finishes: Black

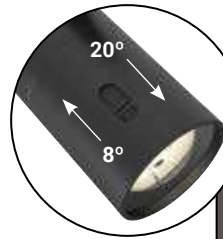
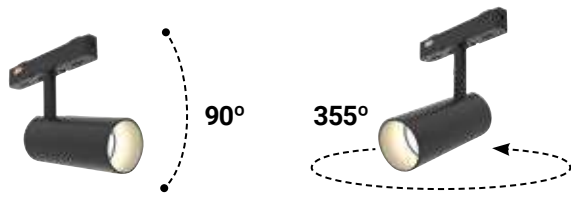
H(m)	D(m)	E(lx)
110°		
1.0	2.93	39
2.0	5.87	9
3.0	8.81	4
4.0	11.75	2
5.0	14.69	1



IP20

MAST

SPOT & MINI SPOT



Slider switch to adjust beam angle between 8° - 20°



36512-01

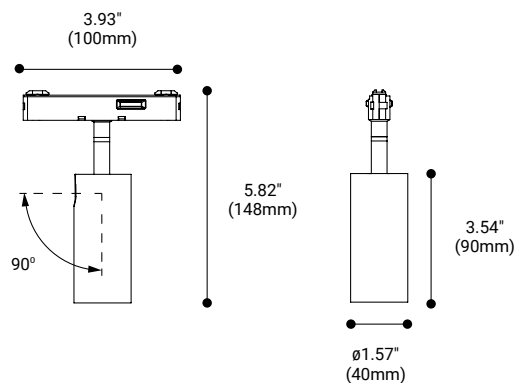
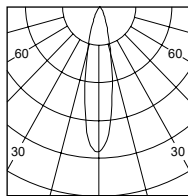
SPECIFICATIONS

Integrated **LED**
LED Consumption: 6.4W
Delivered Lumens: 330LM
Beam Angle: 20°
Kelvin: 3000K
CRI: 90+
Voltage: 24V DC

COLOR

Finishes: Black

H(m)	D(m)	E(lx)
20°		
1.0	0.38	1505
2.0	0.77	376
3.0	1.15	167
4.0	1.54	94
5.0	1.92	60



IP20

36513-01

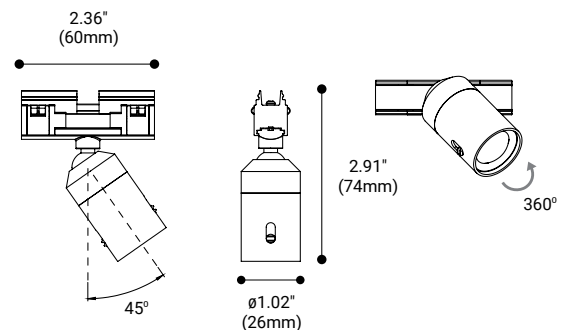
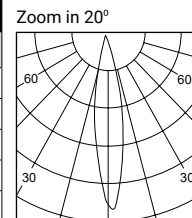
SPECIFICATIONS

Integrated **LED**
LED Consumption: 2.7W
Delivered Lumens: 70LM
Beam Angle: 8° - 20°
Kelvin: 3000K
CRI: 90+
Voltage: 24V DC

COLOR

Finishes: Black

H(m)	D(m)	E(lx)
20°		
0.5	0.16	2351
1.0	0.33	587
1.5	0.50	261
2.0	0.67	146
2.5	0.84	4



MODULAR SYSTEM
MAST
SUSPENDED



36520-01

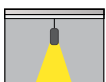
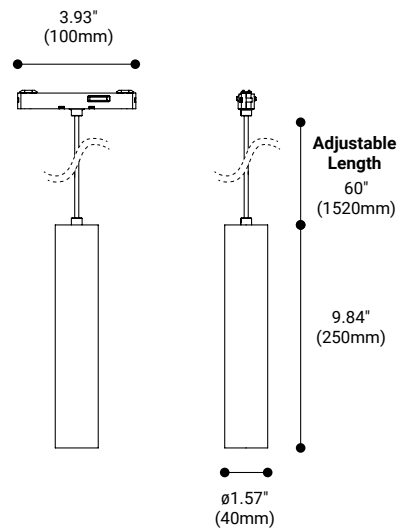
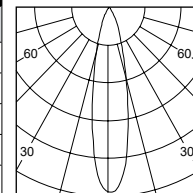
SPECIFICATIONS

COLOR

Integrated LED
LED Consumption: 6.4W
Delivered Lumens: 330LM
Beam Angle: 20°
Kelvin: 3000K
CRI: 90+
Voltage: 24V DC

Finishes: Black

H(m)	D(m)	E(lx)
20°		
1.0	0.38	1476
2.0	0.77	369
3.0	1.16	164
4.0	1.55	92
5.0	1.94	59

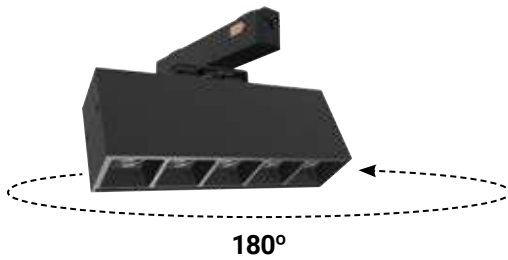


IP20

MULTIPLES



Adjustable Angle



Adjustable Tilt



36517-01

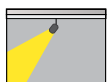
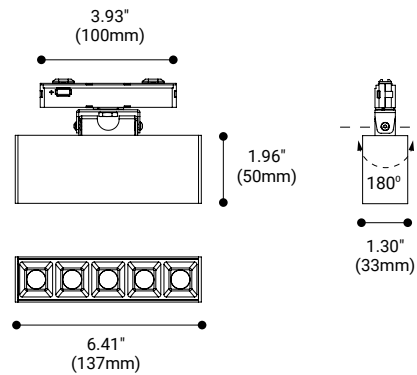
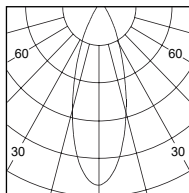
SPECIFICATIONS

Integrated **LED**
LED Consumption: 11W
Delivered Lumens: 790lm
Beam Angle: 30°
Kelvin: 3000K
CRI: 90+
Voltage: 24V DC

COLOR

Finishes: Black

H(m)	D(m)	E(lx)
30°		
1.0	0.62	1854
2.0	1.24	463
3.0	1.86	206
4.0	2.48	115
5.0	3.10	74

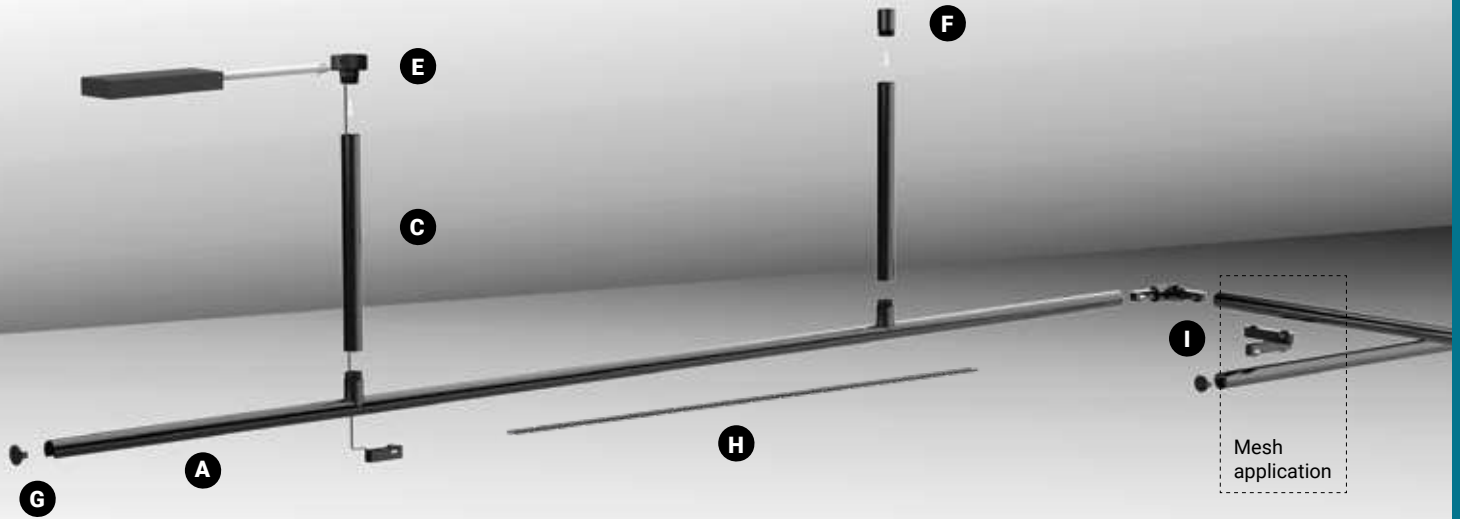


IP20

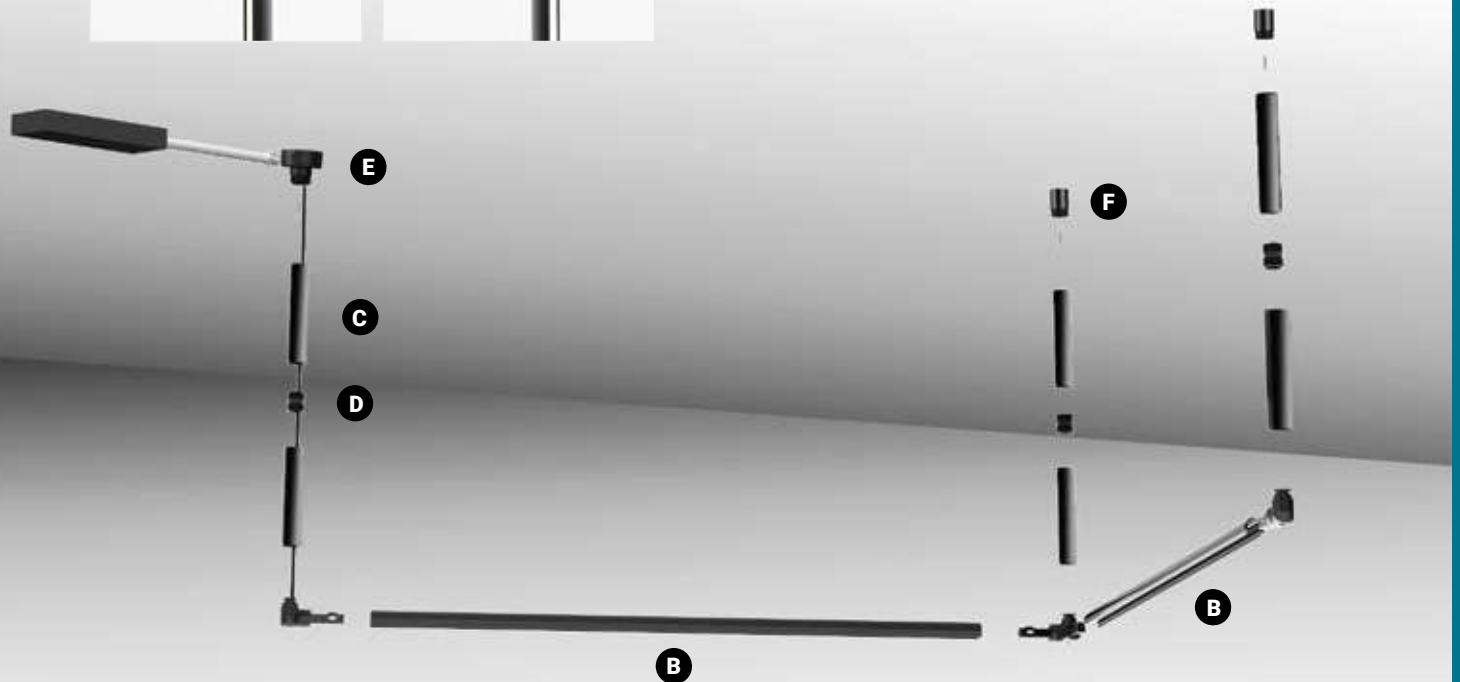
LOOP CONNECTING SYSTEM



TT connection illustration
FIXED TRACK



ITI connection illustration
ADJUSTABLE TRACK

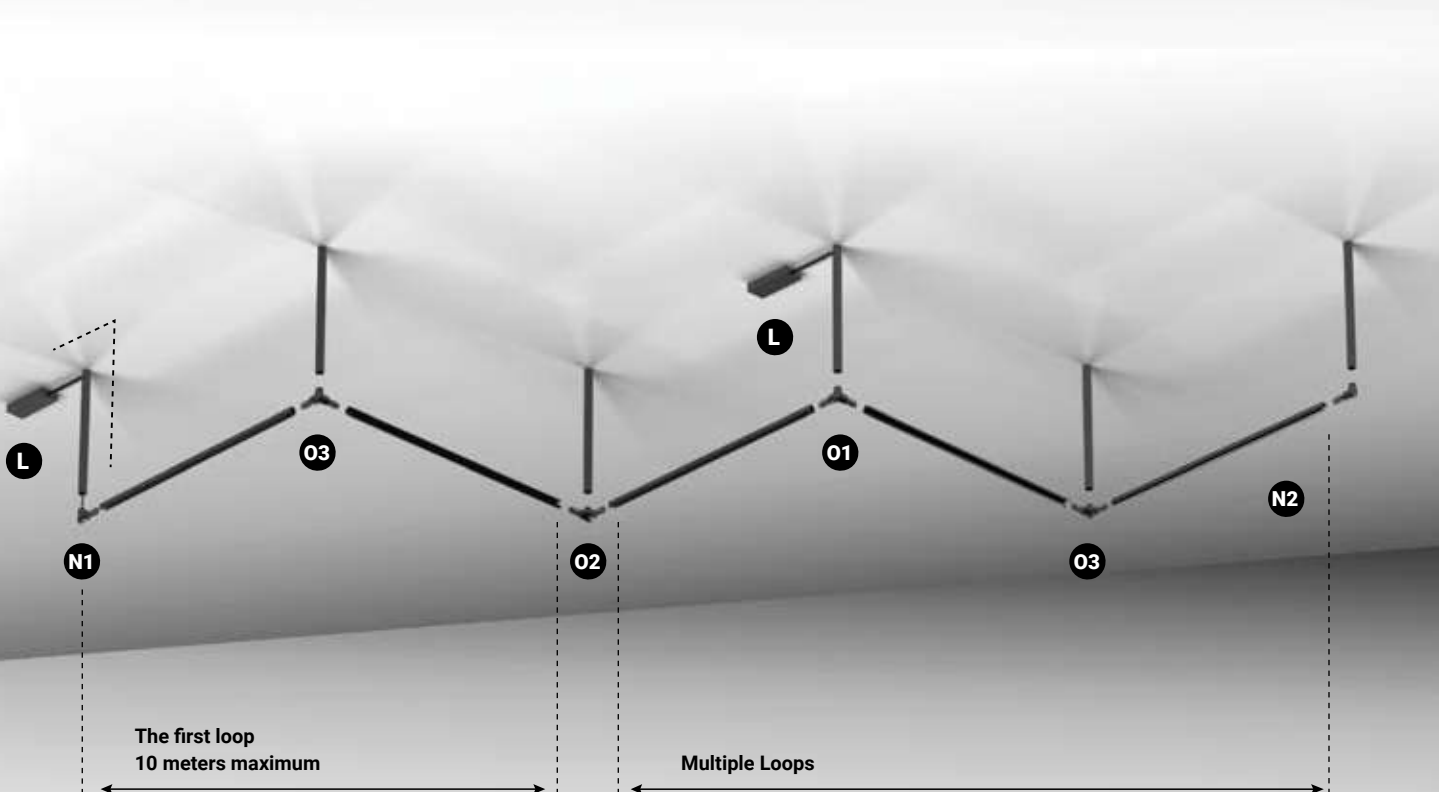
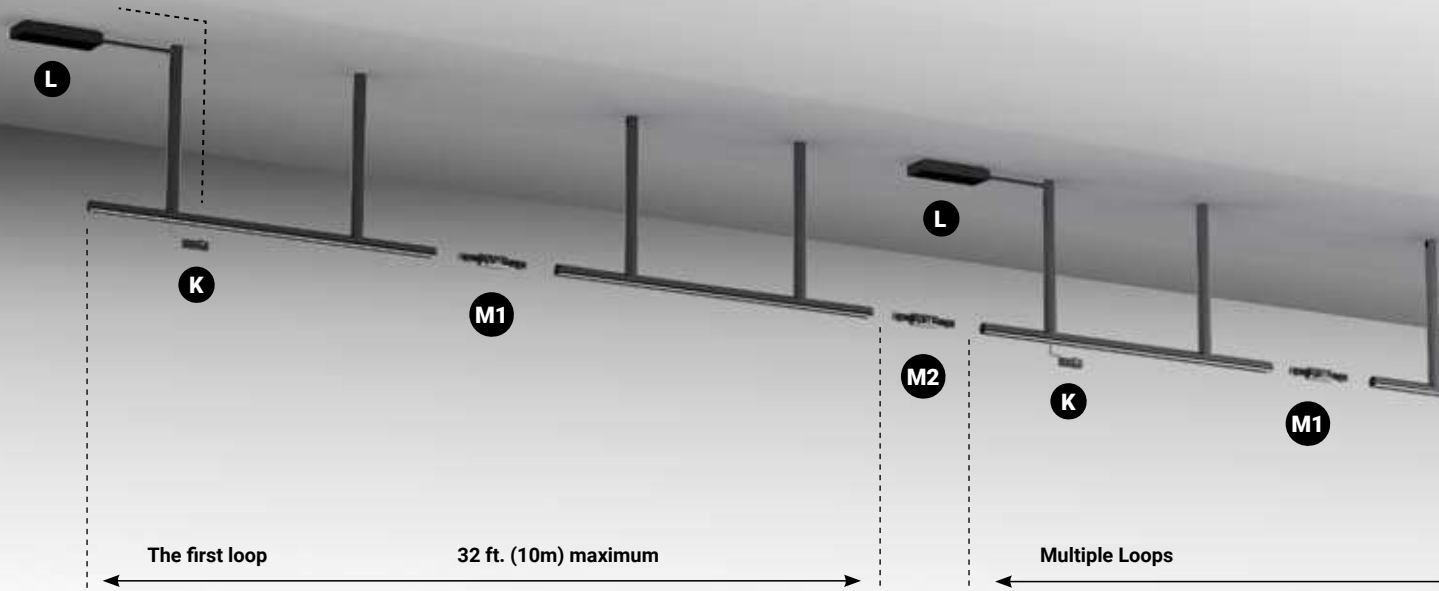


MAST











LOOP CONNECTING SYSTEM

1. Max wattage linkable per loop for 24V DC is 150W.
2. Max length of track linkable per loop is 32 ft. (10m), and the max cable length between driver and power in is 6 ft. (1.8m).
3. Dimming modules are compatible to PWM dimming driver only.
4. To use drivers that are not on the recommended list, a compatibility test is required before installation.












MAX 6 ft. (1.8m)
length from K to M1



ACCESSORIES

TRACKS			
A	FIXED TRACK	36281-01 Length: 72" (1828mm) 36282-01 Length: 36" (914mm)	
B	ADJUSTABLE TRACK	36283-01 Length: 36" (914mm) 36284-01 Length: 12" (304mm)	
FIXED PARTS			
C	EXTENSION TUBE	36285-01 Length: 36" (914mm) 36286-01 Length: 24" (609mm) 36287-01 Length: 12" (304mm)	
D	CONNECTING TUBE	36288-01	
E	FIXED BASE WITH POWER FEED	36289-01	
F	FIXED BASE	36290-01	
G	END CAP	36291-01	
H	BLANK COVER	36292-01 Length: 72" (1828mm)	
I	MESH CONNECTOR	36293-01	
J	SURFACE MOUNT BASE	36501-01	

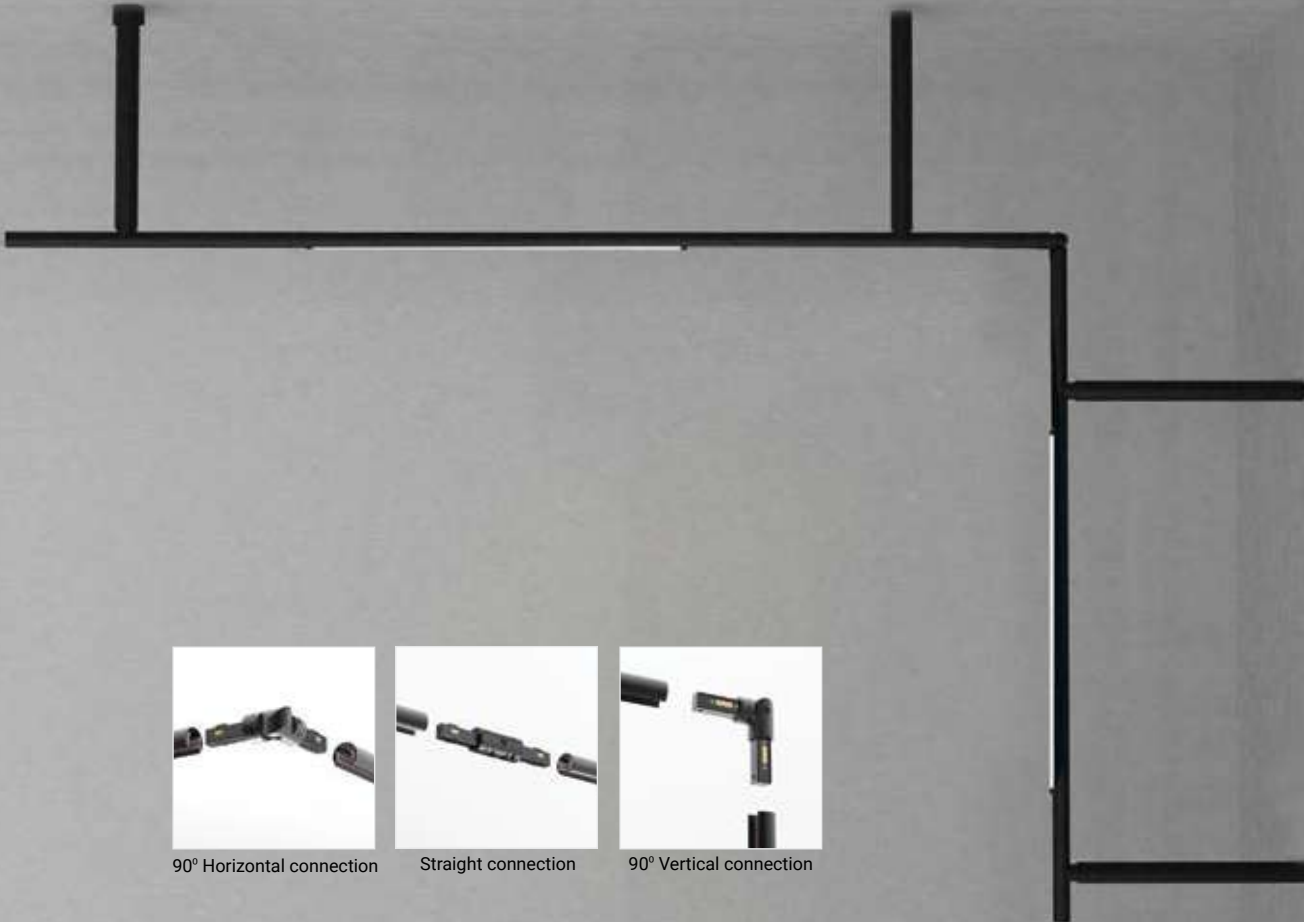
ACCESSORIES

POWER			
K	ADAPTOR WITH POWER CORD	36294-01 Length: 76.32" (1938mm)	
L	24V DC DRIVER	30264-014 24V DC - 96W	
CONNECTOR			
M1	I-CONNECTOR WITH CIRCUIT	36296-01	
M2	I-CONNECTOR WITHOUT CIRCUIT	36297-01	
N1	L-CONNECTOR WITH POWER CORD	36298-01 Wire Length: 76.32" (1938mm)	
N2	L-CONNECTOR WITHOUT POWER CORD	36299-01	
O1	T-CONNECTOR WITH POWER CORD	36300-01 Wire Length: 76.32" (1938mm)	
O2	T-CONNECTOR WITHOUT CIRCUIT	36301-01	
O3	T-CONNECTOR WITH CIRCUIT	36302-01	
P1	PENDANT KIT + POWER CORD	36735-01	
P2	PENDANT KIT	36736-01	

TRACK CONNECTING SYSTEM DEMO

TT Connection Fixed Track Application

TT application is designed to use **36281 / 36282** track.
Together with accessories for horizontal & vertical connections.
Light sources are not included.



90° Horizontal connection



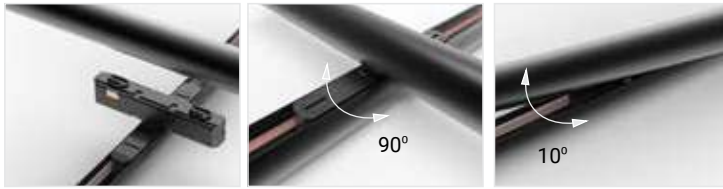
Straight connection



90° Vertical connection

MODULES	COMPONENTS used:	QUANTITIES used:	ITEM NUMBERS:	COMPONENTS used:	QUANTITIES used:	ITEM NUMBERS:	COMPONENTS used:	QUANTITIES used:
36500-01		2	36281-01	 72" (1828mm)	A 2	36291-01		G 2
			36285-01	 36" (914mm)	C 4	36294-01		K 1
			36290-01		J 3	36296-01		M1 1
			36289-01		E 1			

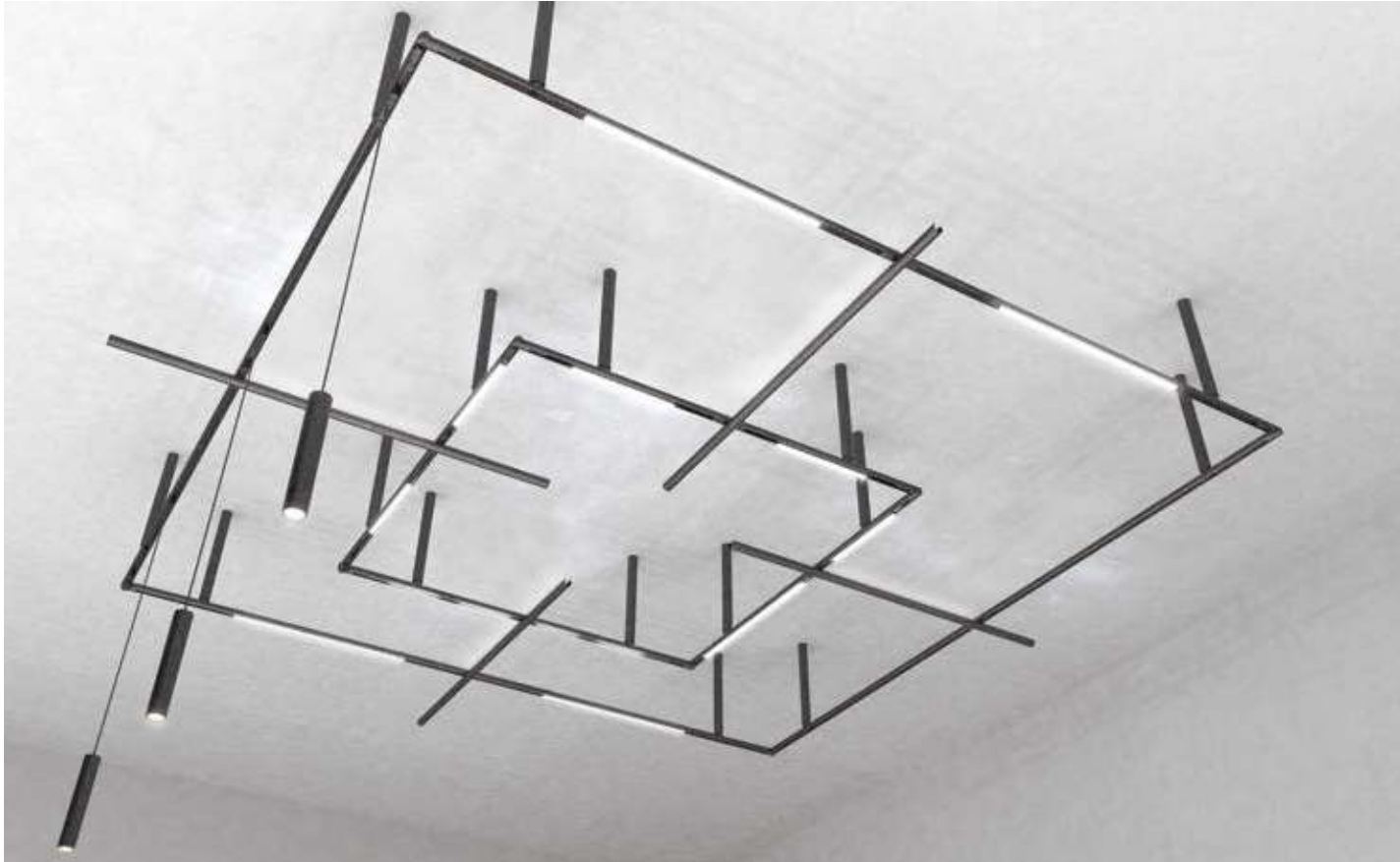
TRACK CONNECTING SYSTEM DEMO



Cross connection

TT & ITI Connections Mesh Light Application

Mesh application uses both TT & ITI track.
This application creates up and down lighting effect by using 36293-01 cross connector.
Light sources not included.



MODULES	COMPONENTS used:	QUANTITIES used:
36499-01		10
36520-01		3

ITEM NUMBERS:	COMPONENTS used:	QUANTITIES used:
36281-01	 72" (1828mm)	A 4
36283-01	 36" (914mm)	B 8
36285-01	 36" (914mm)	C 12
36289-01		E 1
36290-01		F 11
36291-01		G 8
36294-01		K 1






ITEM NUMBERS:	COMPONENTS used:	QUANTITIES used:
36293-01		I 8
36296-01		M1 3
36297-01		M2 1
36300-01		O1 1
36301-01		O2 1
36302-01		O3 2

TRACK CONNECTING SYSTEM DEMO

ITI Connections Straight Application

Rotatable straight application creates all kinds of possible lighting directions.



MODULES	COMPONENTS used:	QUANTITIES used:	ITEM NUMBERS:	COMPONENTS used:	QUANTITIES used:
36500-01		2	CUSTOM TRACK*		B 2
36512-01		2	36294-01	 76.32" (1938mm)	K 2
			36501-01		J 4

*For custom length, please contact factory

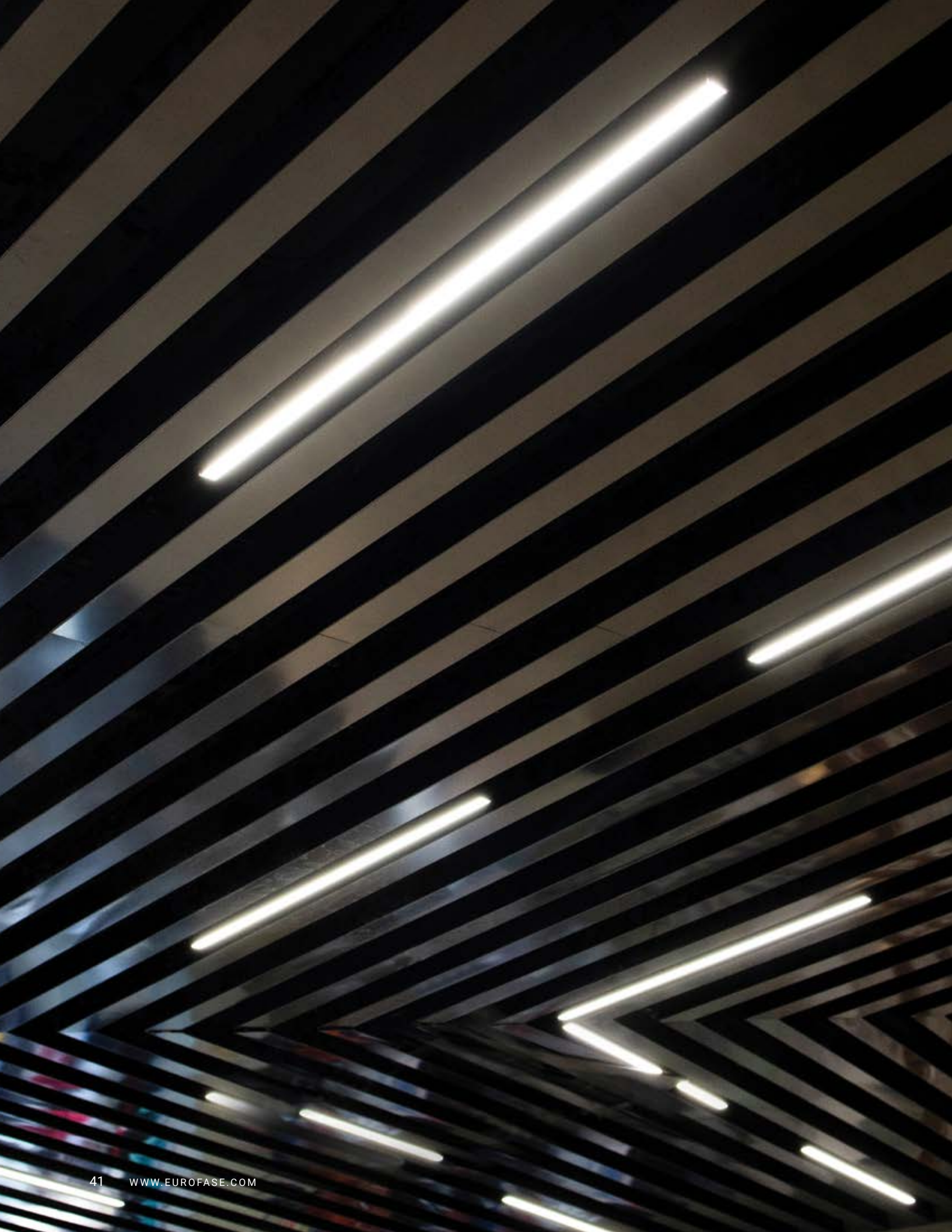




ROUTE LED

120V LINE VOLTAGE MODULAR SYSTEM

The Route is the way to go when large lighting layouts need an architectural look. Whether it be lighting a grand entrance to your home or lighting the floor of your retail space, the Route has the flexibility to adapt to your lighting needs. From pendants to flush mounted modules, the Route has you covered.



MODULAR SYSTEM

ROUTE ^{LED}

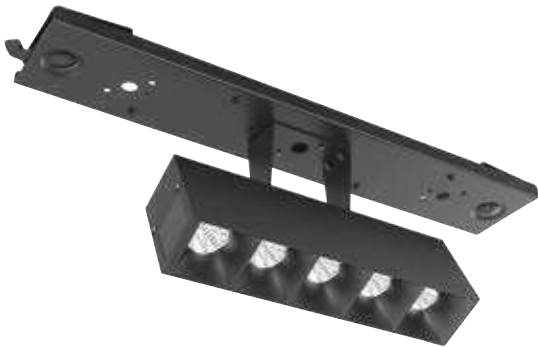
MODULE COLLECTION



SPOT
Page 43



DOWNLIGHT
Page 44



MULTIPLES
Page 46



PC LENS included



Item Number:	Dimming:
36458-01	TRIAC
36459-01	0-10V

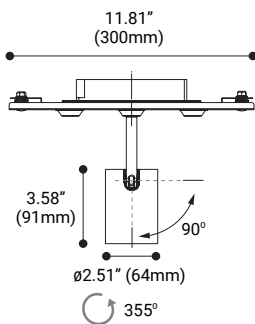
SPECIFICATIONS

Integrated LED
LED Consumption: 16.5W
Delivered Lumens: 700LM
Beam Angle: 30°
Kelvin: 3000K
CRI: 90+
Voltage: 120V AC

COLOR

Finishes: Black

H(m)	D(m)	E(lx)	36458-01
30°			
1.0	0.58	1560	
2.0	1.16	389	
3.0	1.74	173	
4.0	2.32	97	
5.0	2.91	62	



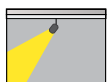
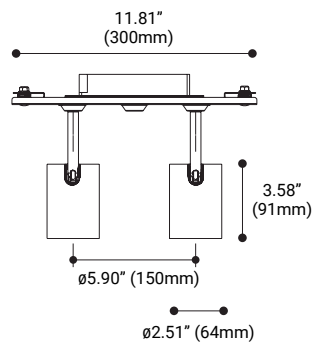
Item Number:	Dimming:
36460-01	TRIAC
36461-01	0-10V

SPECIFICATIONS

Integrated LED
LED Consumption: 30W
Delivered Lumens: 1400LM
Beam Angle: 30°
Kelvin: 3000K
CRI: 90+
Voltage: 120V AC

COLOR

Finishes: Black



IP20



MODULAR SYSTEM
ROUTE
DOWNLIGHT



Item Number:	Dimming:
36456-01	TRIAC
36457-01	0-10V

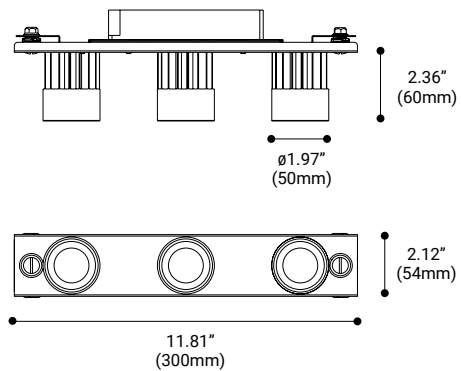
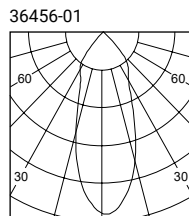
SPECIFICATIONS

Integrated **LED**
LED Consumption: 30W
Delivered Lumens: 2500LM
Beam Angle: 38°
Kelvin: 3000K
CRI: 90+
Voltage: 120V AC

COLOR

Finishes: Black

H(m)	D(m)	E(lx)
38°		
1.0	0.67	3884
2.0	1.34	971
3.0	2.01	431
4.0	2.68	242
5.0	3.35	155

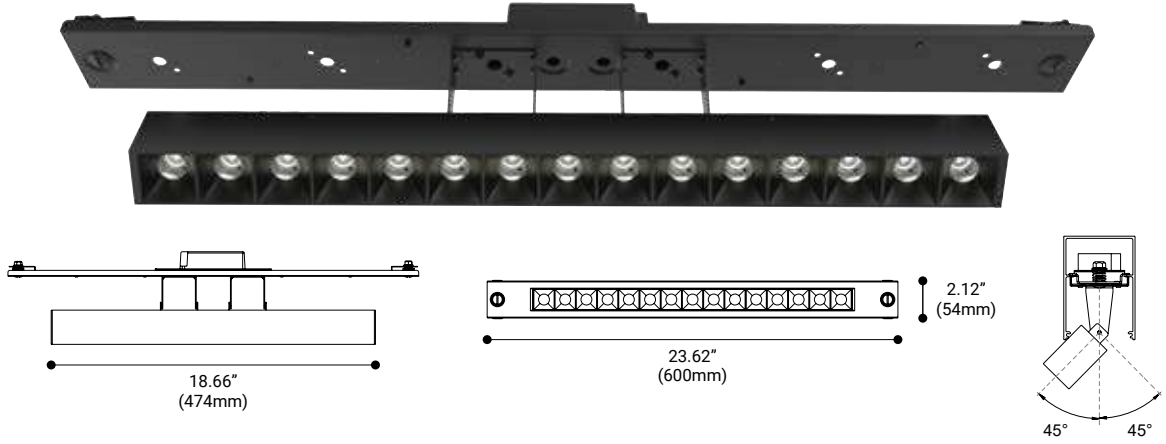


IP20

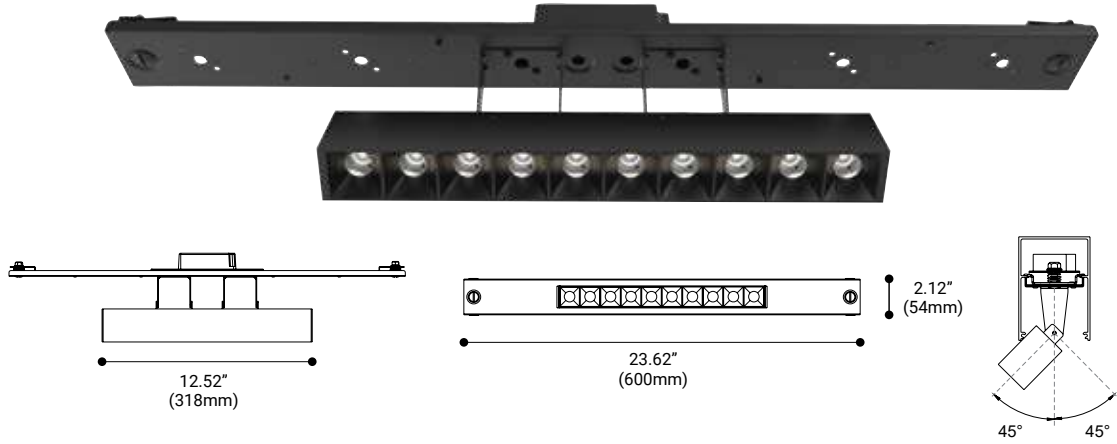


MULTIPLES

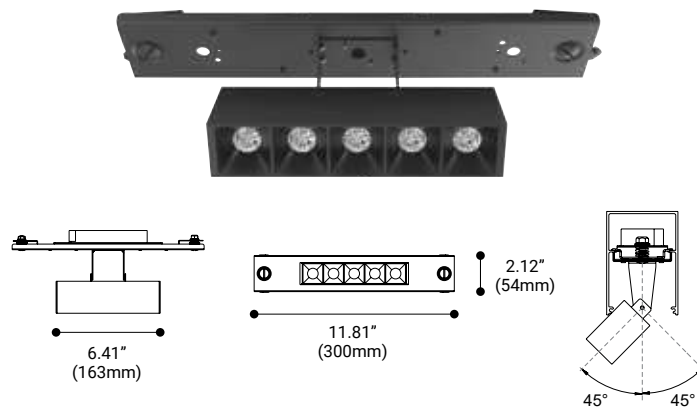
36465-01



36463-01



36462-01



MULTIPLES



Item Number:	Dimming:
36465-01	TRIAC
36878-01	0-10V

SPECIFICATIONS

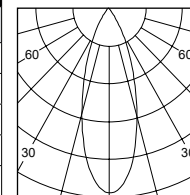
Integrated LED
LED Consumption: 36W
Delivered Lumens: 2550LM
Beam Angle: 30°
Kelvin: 3000K
CRI: 90+
Voltage: 120V AC

COLOR

Finishes: Black

H(m)	D(m)	E(lx)
30°		
1.0	0.61	5925
2.0	1.22	1481
3.0	1.83	658
4.0	2.44	370
5.0	3.05	237

36465-01



Item Number:	Dimming:
36463-01	TRIAC
36464-01	0-10V

SPECIFICATIONS

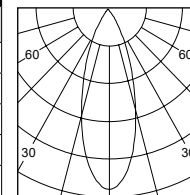
Integrated LED
LED Consumption: 24W
Delivered Lumens: 1700LM
Beam Angle: 30°
Kelvin: 3000K
CRI: 90+
Voltage: 120V AC

COLOR

Finishes: Black

H(m)	D(m)	E(lx)
30°		
1.0	0.62	3791
2.0	1.24	947
3.0	1.86	421
4.0	2.48	236
5.0	3.10	151

36463-01



Item Number:	Dimming:
36462-01	TRIAC
36703-01	0-10V

SPECIFICATIONS

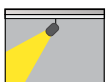
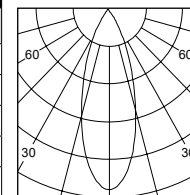
Integrated LED
LED Consumption: 12W
Delivered Lumens: 850LM
Beam Angle: 30°
Kelvin: 3000K
CRI: 90+
Voltage: 120V AC

COLOR

Finishes: Black

H(m)	D(m)	E(lx)
30°		
1.0	0.61	1905
2.0	1.22	476
3.0	1.84	211
4.0	2.45	119
5.0	3.07	76

36462-01

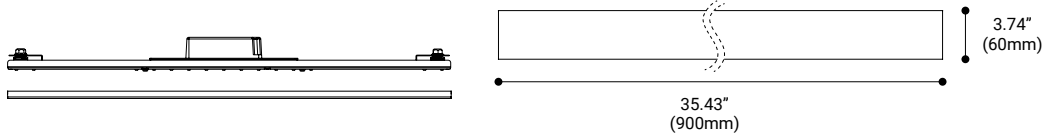


IP20

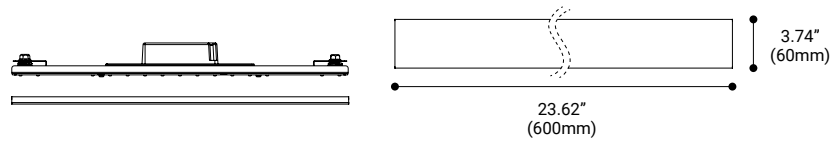


LENS

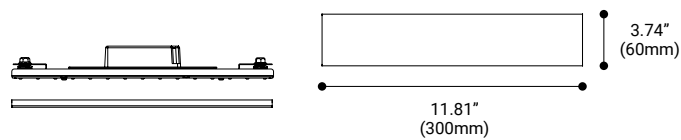
36455-01

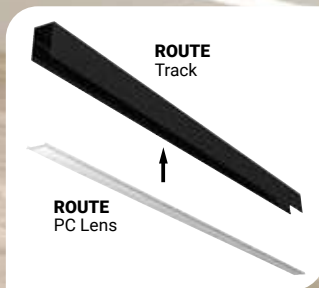


36453-01



36451-01





Item Number:	Dimming:
36455-01*	TRIAC
36704-01*	0-10V

SPECIFICATIONS

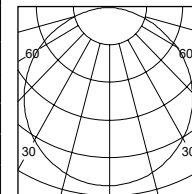
Integrated LED
LED Consumption: 40W
Delivered Lumens: 1800LM
Beam Angle: 115°
Kelvin: 3000K
CRI: 90+
Voltage: 120V AC

COLOR

Finishes: Black

H(m)	D(m)	E(lx)
115°		
1.0	3.05	659
2.0	6.11	164
3.0	9.16	73
4.0	12.22	41
5.0	15.28	26

36455-01



Item Number:	Dimming:
36453-01*	TRIAC
36454-01*	0-10V

SPECIFICATIONS

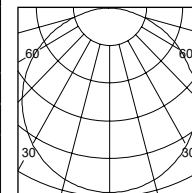
Integrated LED
LED Consumption: 35W
Delivered Lumens: 1400LM
Beam Angle: 115°
Kelvin: 3000K
CRI: 90+
Voltage: 120V AC

COLOR

Finishes: Black

H(m)	D(m)	E(lx)
115°		
1.0	3.03	441
2.0	6.17	110
3.0	9.11	49
4.0	12.15	27
5.0	15.19	17

36453-01



Item Number:	Dimming:
36451-01*	TRIAC
36452-01*	0-10V

SPECIFICATIONS

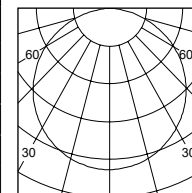
Integrated LED
LED Consumption: 20W
Delivered Lumens: 770LM
Beam Angle: 115°
Kelvin: 3000K
CRI: 90+
Voltage: 120V AC

COLOR

Finishes: Black

H(m)	D(m)	E(lx)
115°		
1.0	3.05	212
2.0	6.11	53
3.0	9.17	23
4.0	12.23	13
5.0	15.29	8

36451-01



IP20



*PC Lens included



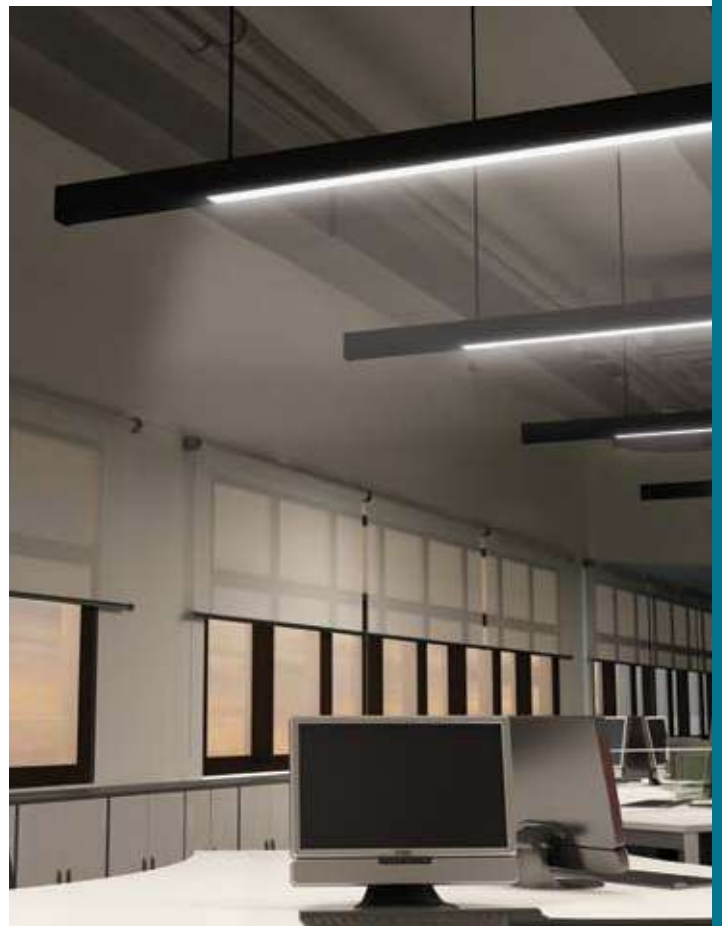
TRACK CONNECTIONS



1. MOUNT BETWEEN WALLS

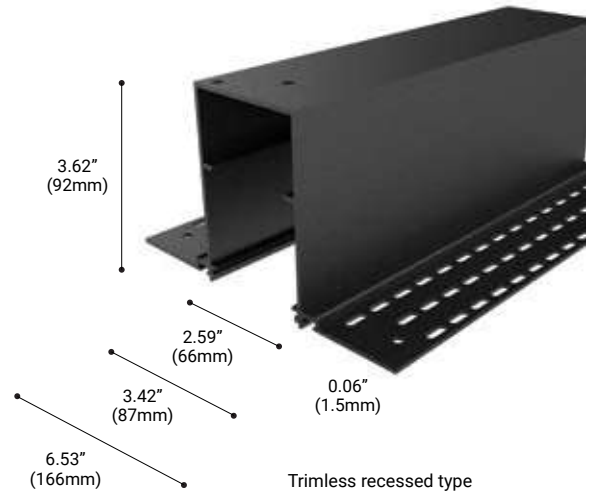


2. SURFACE MOUNTED



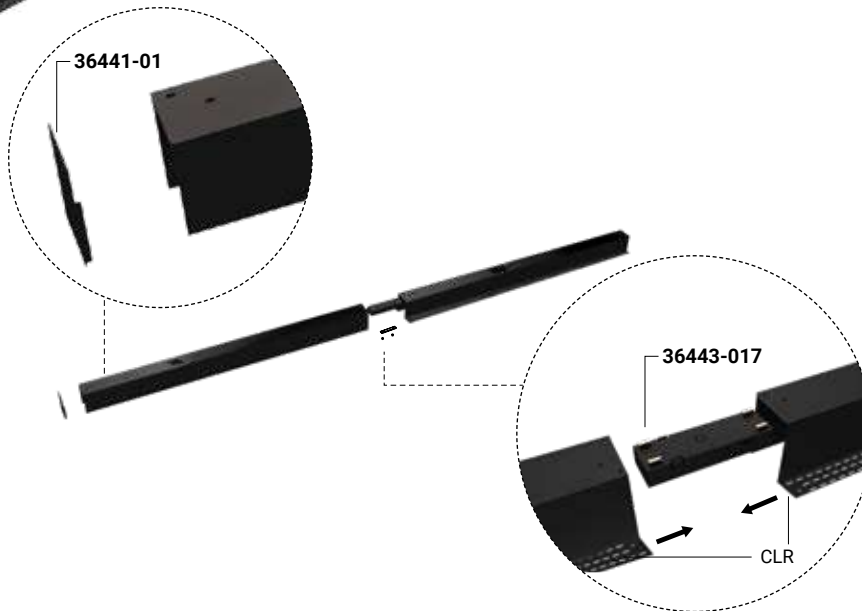
3. PENDANT

TRIMLESS RECESSED



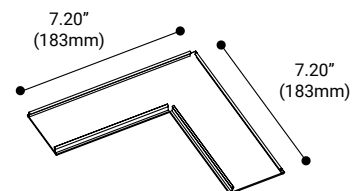
Item Number	Length	Weight	Color
36436-01	6ft. (1828mm)	3.91KG	Black
36437-01	8ft. (2438mm)	4.88KG	Black
36438-01	10ft. (3048mm)	5.86KG	Black

CONNECTIONS

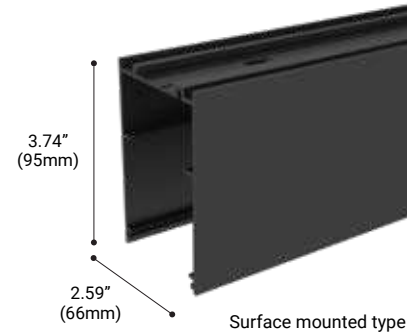


ACCESSORIES

36440-01
 Trimless Recessed
 Horizontal Corner

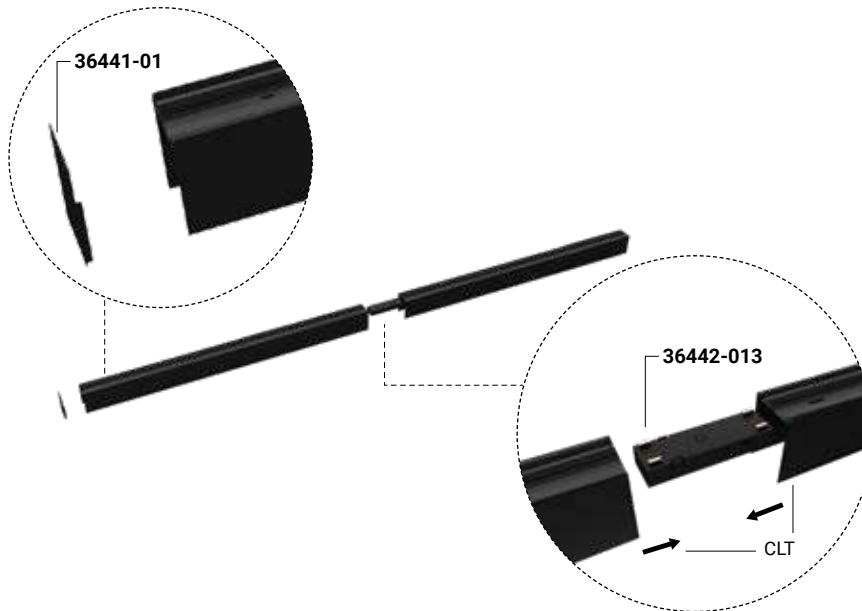


1. MOUNT BETWEEN WALLS
2. SURFACE MOUNTED
3. PENDANT



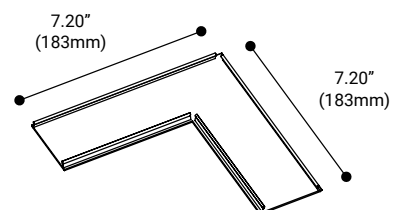
Item Number	Length	Weight	Color
36433-01	6ft. (1828mm)	2.9KG	Black
36434-01	8ft. (2438mm)	3.6KG	Black
36435-01	10ft. (3048mm)	4.4KG	Black

CONNECTIONS



ACCESSORIES

36439-01
Horizontal L-Corner

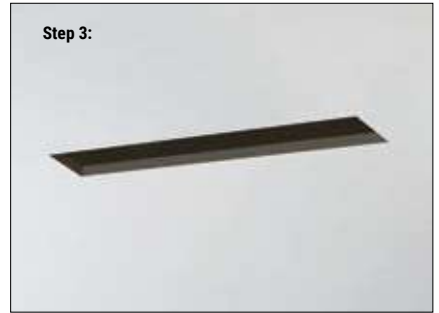
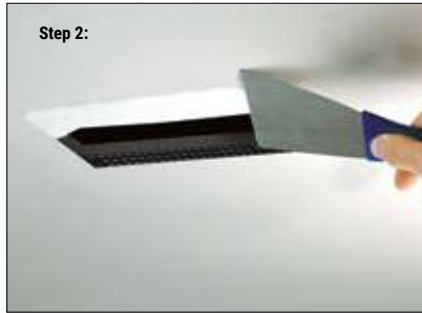
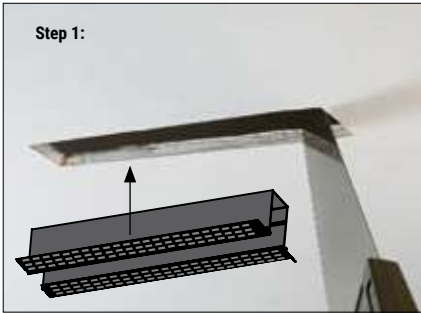


ROUTE

INSTALLATION

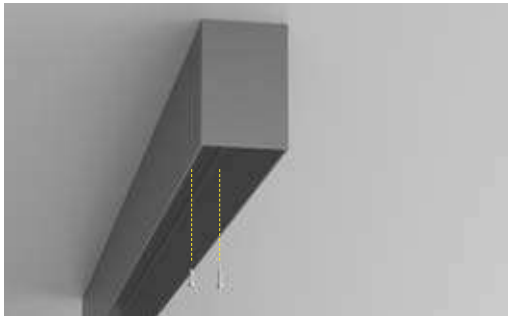
Application

Trimless Recessed



Application

Surface Mounted



Use screws (not included) to secure to drywall

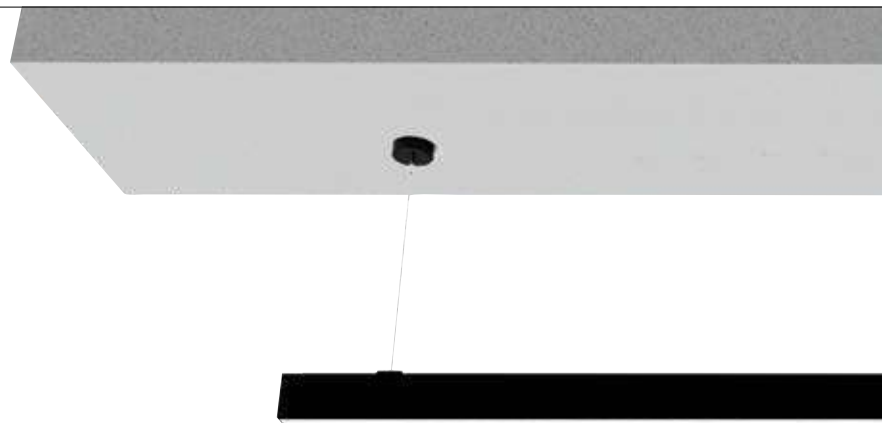


Application

Pendant



Use the Pendant Kit to secure the track section.



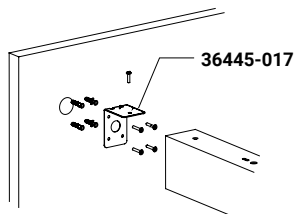
INSTALLATION

Application

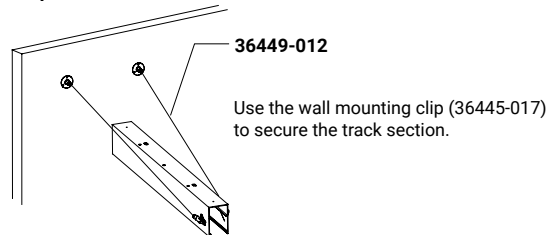
Mount Between Walls Option 1



Step 1:

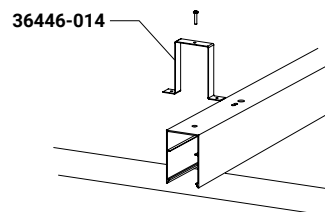
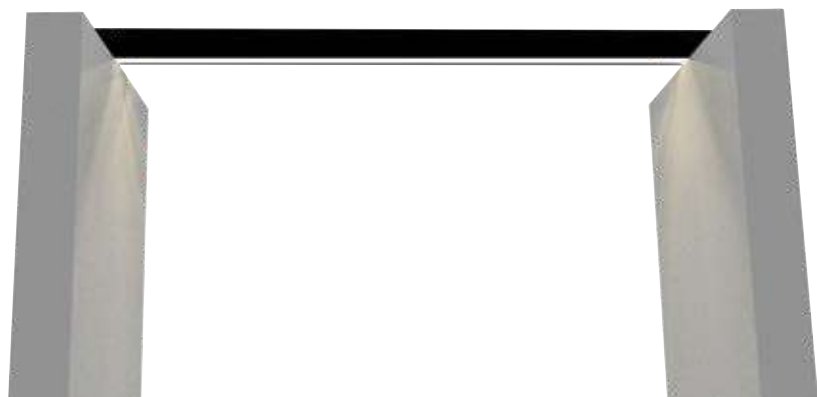


Step 2:



Application

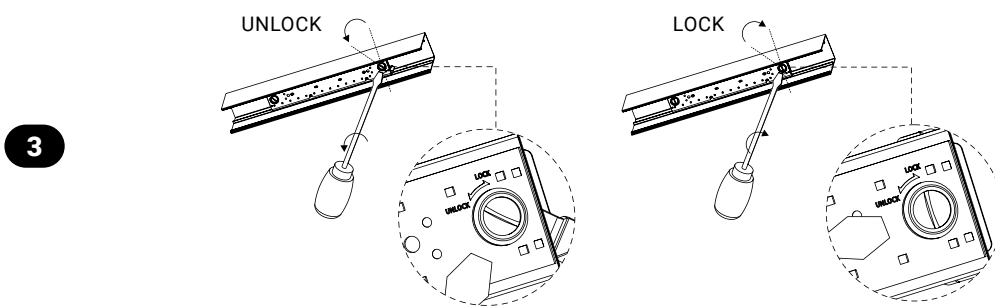
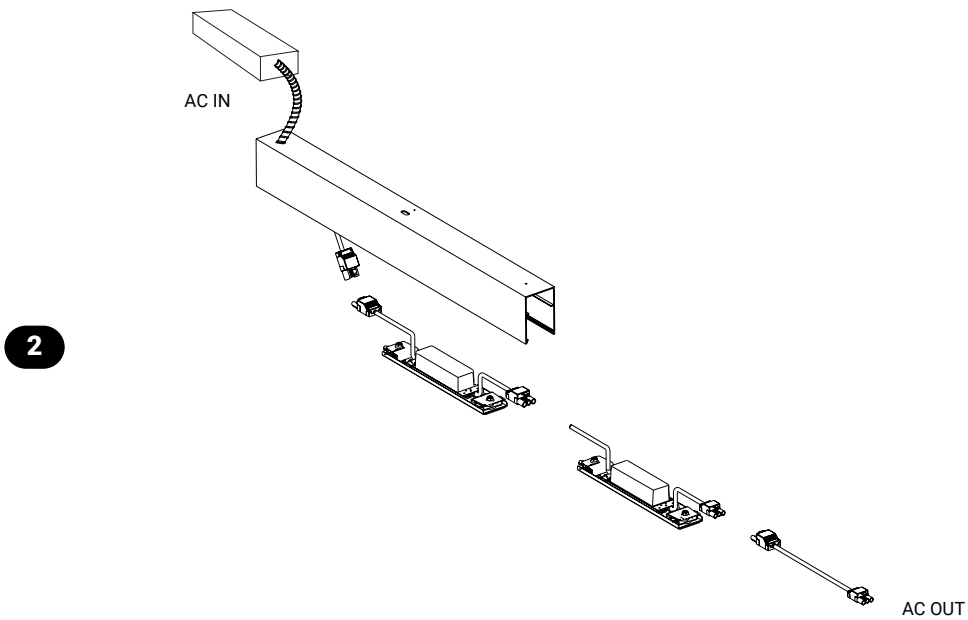
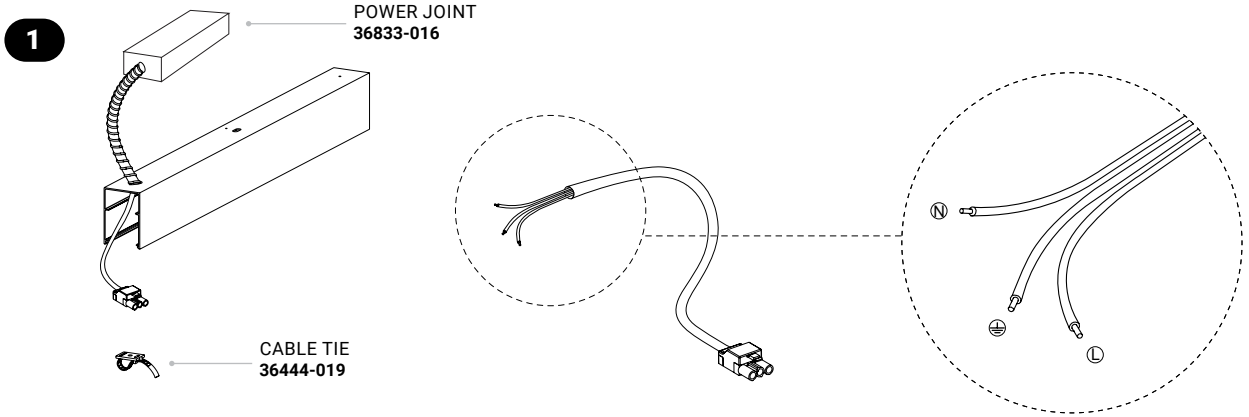
Mount Between Walls Option 2



Use the mounting clip (36446-014) to secure the track section.

INSTALLATION

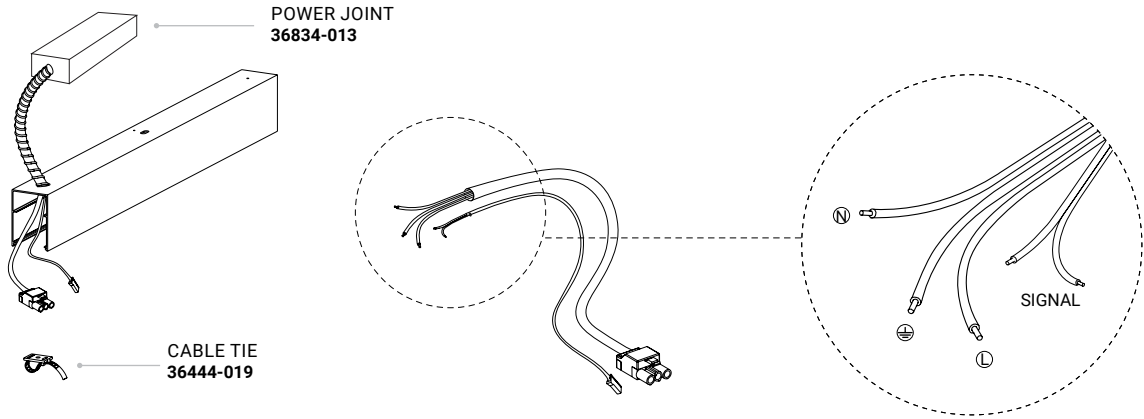
3 WIRES TRIAC DIMMING



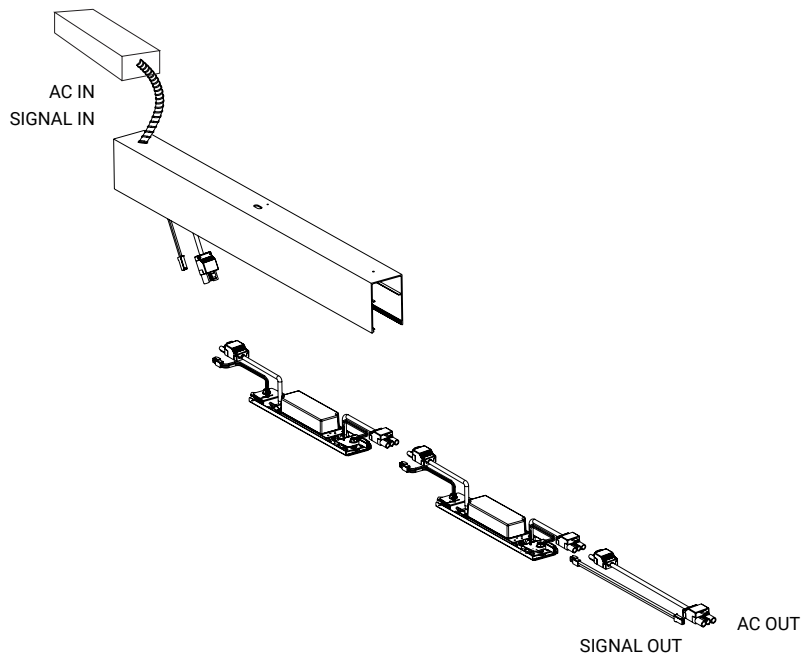
INSTALLATION

5 WIRES 0-10V DIMMING

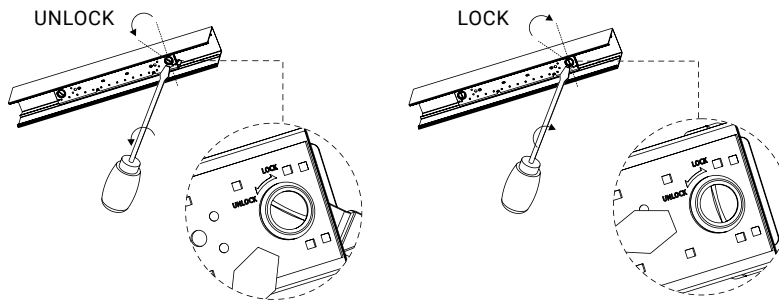
1



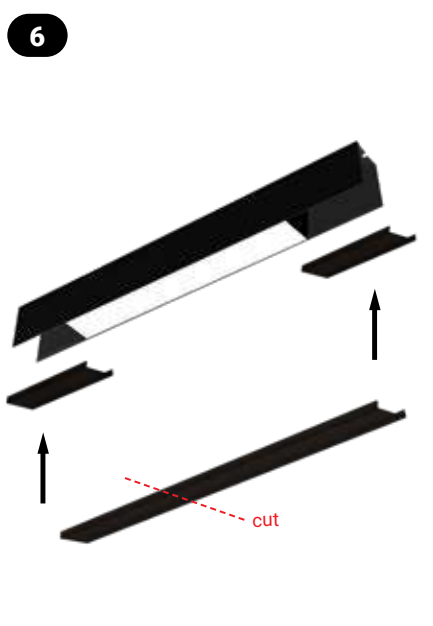
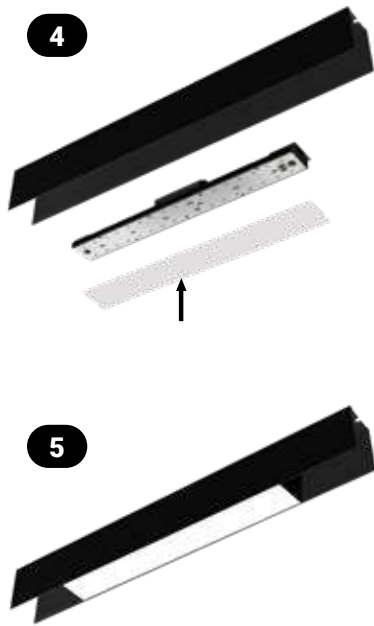
2



3



INSTALLATION



ACCESSORIES

		RECESSED	MOUNT BETWEEN WALLS (Option A)	MOUNT BETWEEN WALLS (Option B)	SURFACE MOUNTED	PENDANT
END CAP 36441-01		•	•	•	•	•
CONNECTING BRACKET 36442-013					•	
CONNECTING BRACKET 36443-017		•				
CABLE TIE 36444-019		•	•	•	•	•
POWER JOINT (TRIAC DIMMING) JUNCTION BOX INCLUDED 36833-016		•	•	•	•	•
POWER JOINT (0-10V DIMMING) JUNCTION BOX INCLUDED 36834-013		•	•	•	•	•
MOUNTING CLIP 36445-017			•			
HANGING WIRE 36449-012			•			
MOUNTING CLIP 36446-014				•		
PENDANT KIT WITH POWER CORD 36448-01						•
PENDANT KIT WITHOUT POWER CORD 36450-01						•
RECESSED MOUNTING CLIP 38722-011		•				
1 METER (39") EXTENSION CABLE 36902-019		•	•	•	•	•





M U C C I LED

MODULAR SYSTEM

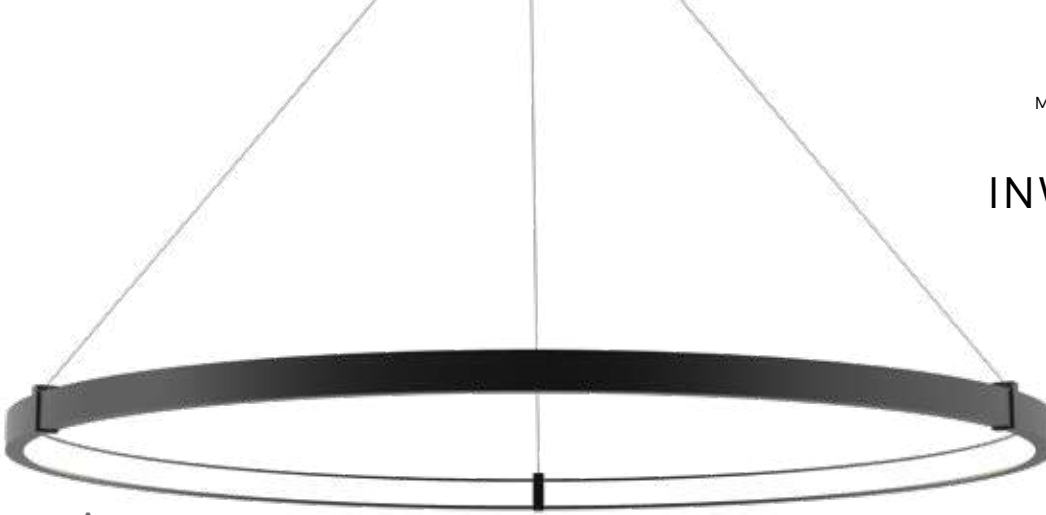
Custom lighting made just the way you want it. This low-voltage system creates a safe environment that reduces the risk of shock despite its exposed copper rail. After selecting your pendant, add your accessories based on functionality and style. A special hook design allows for easy attachment to hang modules on the inside or the outside of the ring. Add as many modules as you would like, up until 70 watts max.



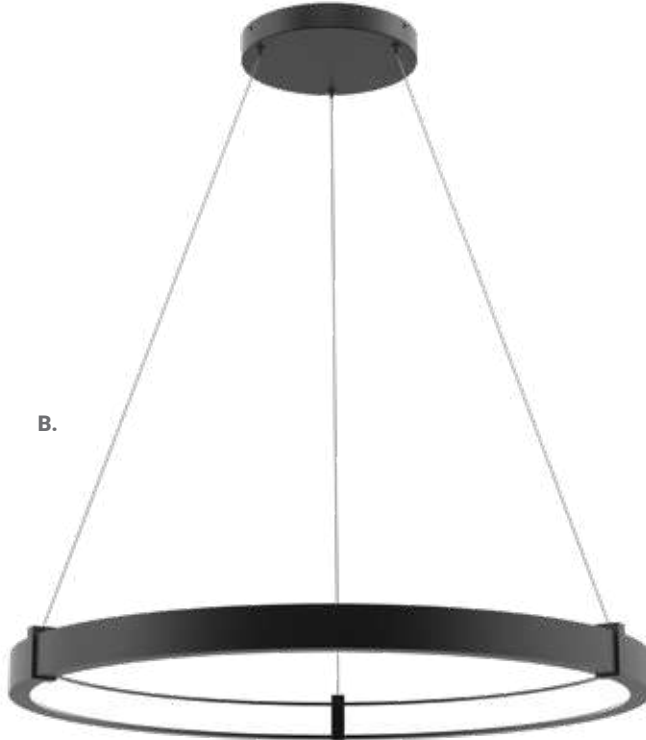
CUSTOMIZABLE LED PENDANTS

**FLUID COPPER RAIL FOR EASY
MODULE ATTACHMENT**

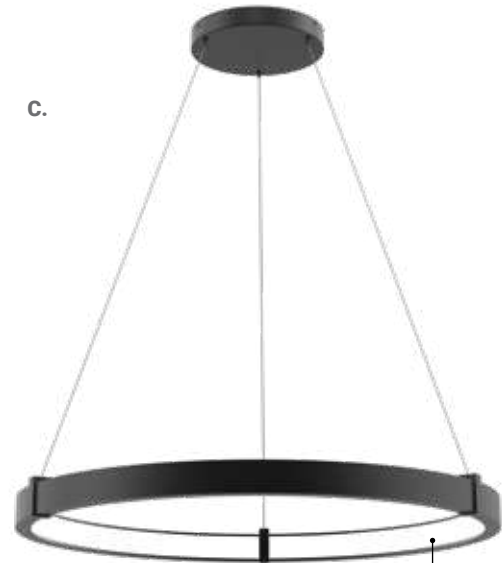
INWARD LED



A.



B.



C.

INWARD LED

**A. 38136-016
LARGE INWARD
LED PENDANT**

SPECIFICATIONS

Integrated **LED**
LED Consumption: 88W
Delivered Lumens: 3960LM
Kelvin: 3000K
Dimming: TRIAC
CRI: 90+
Power Wire Length: 120"
Voltage: 120V

COLOR

Finishes: Matte Black
Shade: PC Lens

DIMENSIONS

ø60" x 2" H

**B. 38135-019
MEDIUM INWARD
LED PENDANT**

SPECIFICATIONS

Integrated **LED**
LED Consumption: 73W
Delivered Lumens: 3280LM
Kelvin: 3000K
Dimming: TRIAC
CRI: 90+
Power Wire Length: 120"
Voltage: 120V

COLOR

Finishes: Matte Black
Shade: PC Lens

DIMENSIONS

ø48" x 2" H

**C. 38134-012
SMALL INWARD
LED PENDANT**

SPECIFICATIONS

Integrated **LED**
LED Consumption: 54W
Delivered Lumens: 2430LM
Kelvin: 3000K
Dimming: TRIAC
CRI: 90+
Power Wire Length: 120"
Voltage: 120V

COLOR

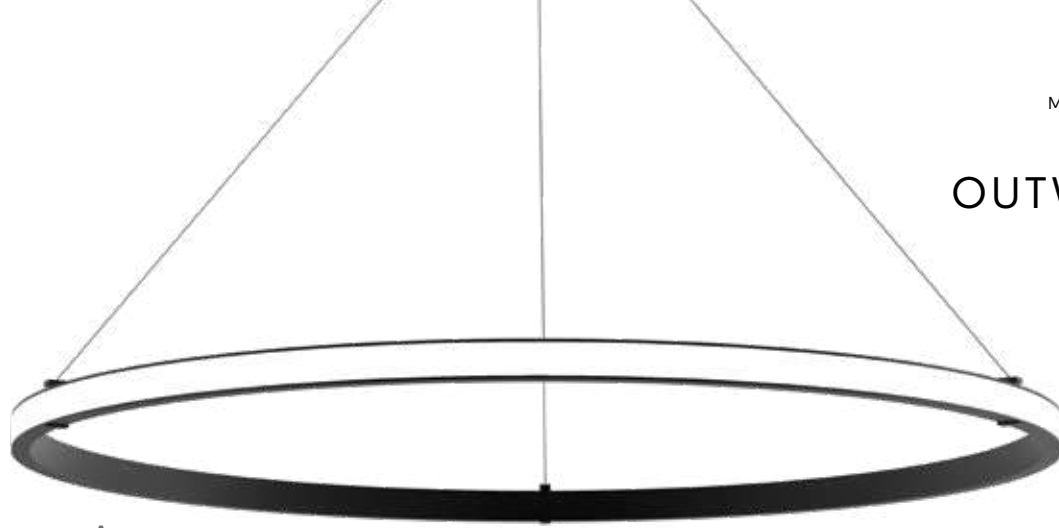
Finishes: Matte Black
Shade: PC Lens

DIMENSIONS

ø32" x 2" H



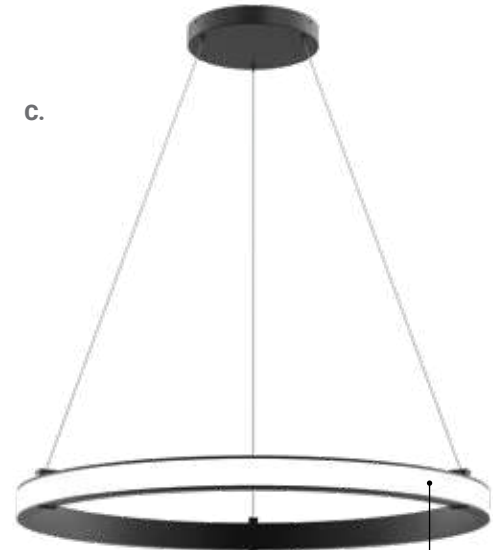
OUTWARD LED



A.



B.



C.

OUTWARD LED

**A. 38133-015
LARGE OUTWARD
LED PENDANT**

SPECIFICATIONS

Integrated LED
LED Consumption: 84W
Delivered Lumens: 3780LM
Kelvin: 3000K
Dimming: TRIAC
CRI: 90+
Power Wire Length: 120"
Voltage: 120V

COLOR

Finishes: Matte Black
Shade: PC Lens

DIMENSIONS

ø60" x 2" H

**B. 38132-018
MEDIUM OUTWARD
LED PENDANT**

SPECIFICATIONS

Integrated LED
LED Consumption: 70W
Delivered Lumens: 3150LM
Kelvin: 3000K
Dimming: TRIAC
CRI: 90+
Power Wire Length: 120"
Voltage: 120V

COLOR

Finishes: Matte Black
Shade: PC Lens

DIMENSIONS

ø48" x 2" H

**C. 38131-011
SMALL OUTWARD
LED PENDANT**

SPECIFICATIONS

Integrated LED
LED Consumption: 52W
Delivered Lumens: 2340LM
Kelvin: 3000K
Dimming: TRIAC
CRI: 90+
Power Wire Length: 120"
Voltage: 120V

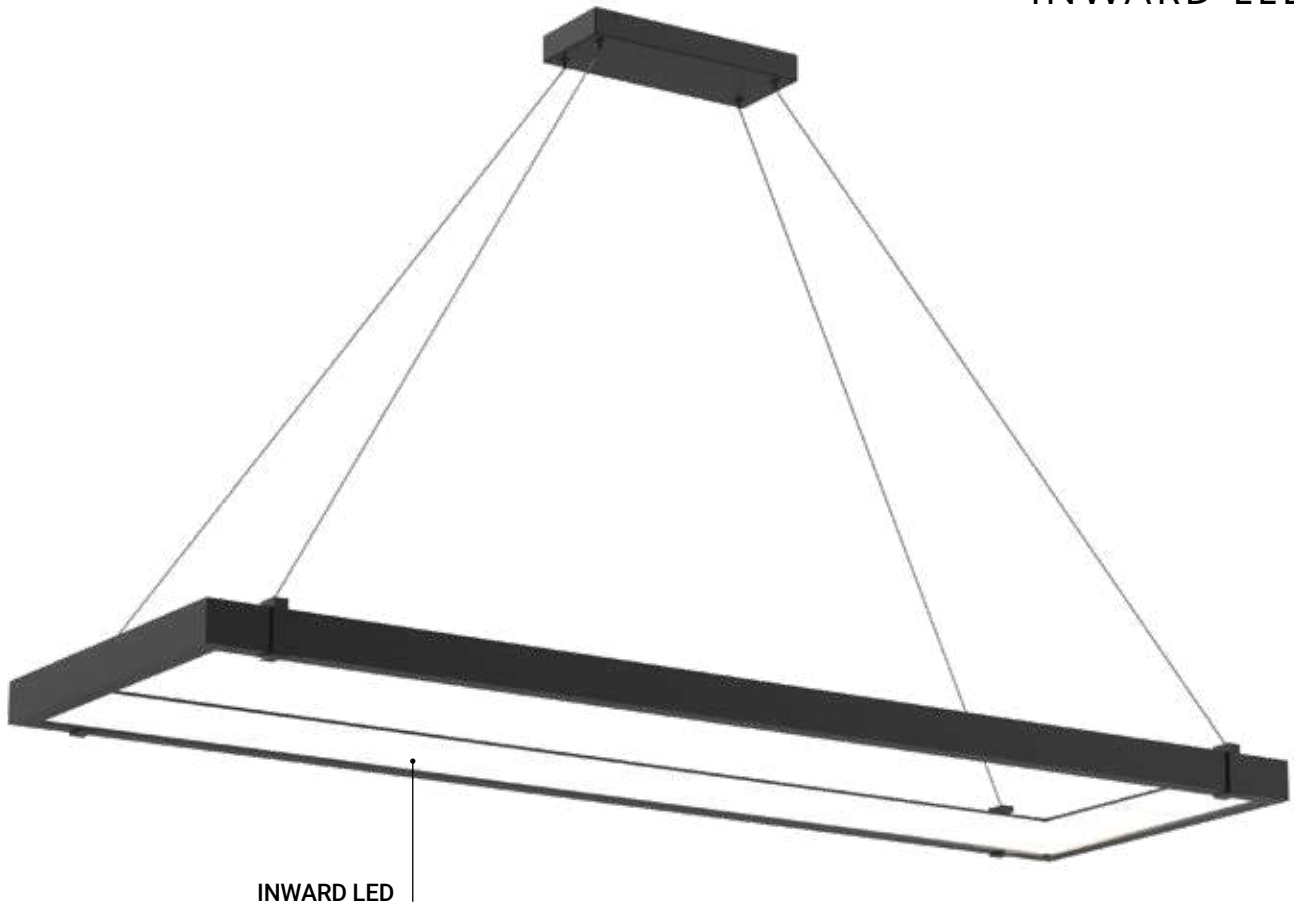
COLOR

Finishes: Matte Black
Shade: PC Lens

DIMENSIONS

ø32" x 2" H



RECTANGULAR
INWARD LED

INWARD LED

38138-010

**INWARD RECTANGULAR
LED PENDANT**

SPECIFICATIONS

Integrated LED	
LED Consumption:	76W
Delivered Lumens:	3600LM
Kelvin:	3000K
Dimming:	TRIAC
CRI:	90+
Power Wire Length:	120"
Voltage:	120V

COLOR

Finishes:	Matte Black
Shade:	PC Lens

DIMENSIONS

59.5"L x 18.75"W x 2"H

ACCESSORIES

38205-019

10W GLOW BAR

- Cylindrical body for full 360° illumination
- Diffused light
- Adjustable head



38204-012

6W GLOW BAR

- Cylindrical body for full 360° illumination
- Diffused light
- Adjustable head



38141-010

13W ADJUSTABLE SPOT LIGHT

- Adjustable head
- Beam Angle: 40°



38142-017

10W FIXED DOWN LIGHT

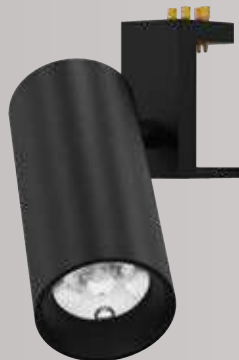
- Diffused light
- Beam Angle: 160°



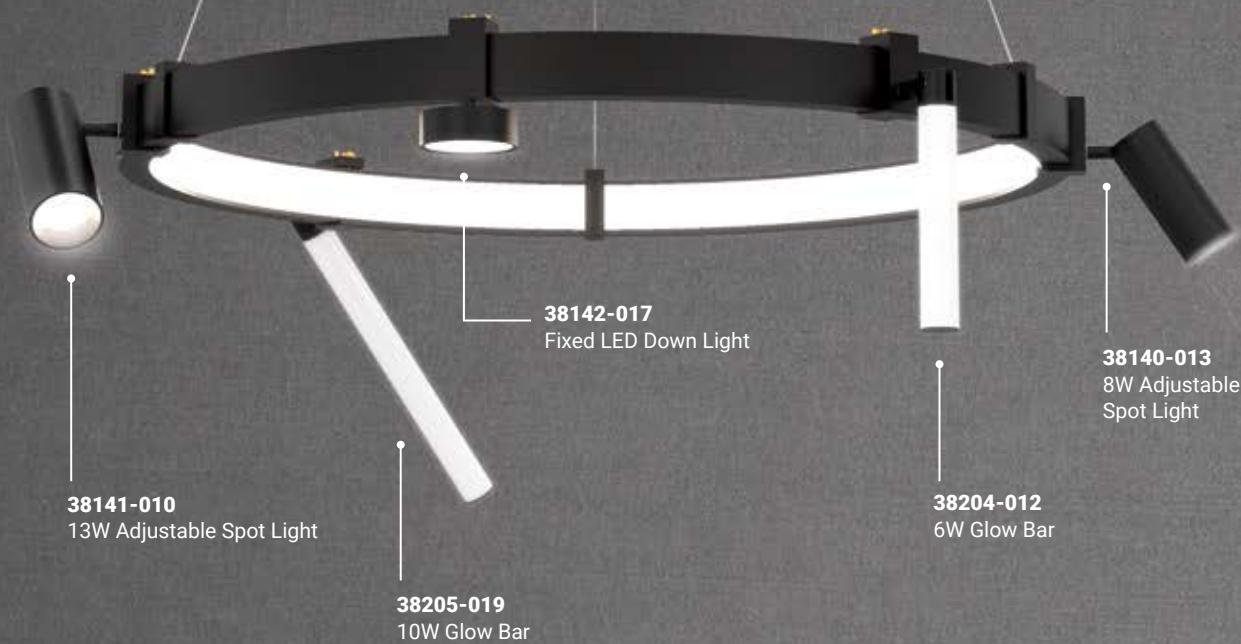
38140-013

8W ADJUSTABLE SPOT LIGHT

- Adjustable head
- Beam Angle: 50°



CUSTOMIZATION



ANY COMBINATION UP TO 70 WATTS MAX

Custom lighting made just the way you want it. This low-voltage system creates a safe environment that reduces the risk of shock despite it's exposed copper rail. After selecting your pendant, add your accessories based on functionality and style. A special hook design allows for easy attachment to hang modules on the inside or the outside of the ring. Add as many modules as you would like, up until 70 watts max.



SLIDE AND LOCK



FLUID COPPER RAIL FOR CUSTOM ARRANGEMENT



CLAMPS 2 WAYS

CUSTOMIZATION

1 / FOUNDATION



Round: Outward



Round: Inward



Rectangular: Inward

2 / MODULES*

*Any combination up to 70 Watts max

38204-012 6W GLOW BAR

SPECIFICATIONS

Integrated **LED**
LED Consumption: 6W
Delivered Lumens: 370lm
Kelvin: 3000K
Dimmable: TRIAC
CRI: 90+
Voltage: 24V DC

COLOR

Finishes: Matte Black
Shade: PC Lens

DIMENSIONS

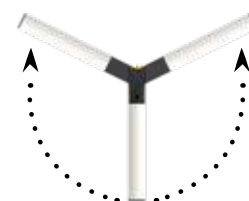
ø1.25" x 8"H



SIDE VIEW
100°



FRONT VIEW
240°



38205-019 10W GLOW BAR

SPECIFICATIONS

Integrated **LED**
LED Consumption: 10W
Delivered Lumens: 730lm
Kelvin: 3000K
Dimmable: TRIAC
CRI: 90+
Voltage: 24V DC

COLOR

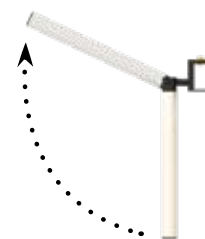
Finishes: Matte Black
Shade: PC Lens

DIMENSIONS

ø1.25" x 13"H



SIDE VIEW
100°



FRONT VIEW
240°



CUSTOMIZATION

38142-017
10W FIXED DOWN LIGHT

SPECIFICATIONS

Integrated **LED**
LED Consumption: 10W
Delivered Lumens: 480LM
Kelvin: 3000K
Beam Angle: 160°
Dimmable: TRIAC
CRI: 90+
Voltage: 24V DC

COLOR

Finishes: Matte Black
Shade: PC Lens

DIMENSIONS

ø3" x 1"H



SIDE VIEW

0°



FRONT VIEW

0°



38140-013
8W ADJUSTABLE SPOT LIGHT

SPECIFICATIONS

Integrated **LED**
LED Consumption: 8W
Delivered Lumens: 650LM
Kelvin: 3000K
Beam Angle: 50°
Dimmable: TRIAC
CRI: 90+
Voltage: 24V DC

COLOR

Finishes: Matte Black
Shade: PC Lens

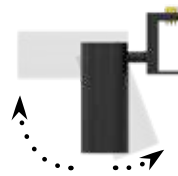
DIMENSIONS

ø2" x 4.5"H



SIDE VIEW

110°



FRONT VIEW

240°



38141-010
13W ADJUSTABLE SPOT LIGHT

SPECIFICATIONS

Integrated **LED**
LED Consumption: 13W
Delivered Lumens: 990LM
Kelvin: 3000K
Beam Angle: 40°
Dimmable: TRIAC
CRI: 90+
Voltage: 24V DC

COLOR

Finishes: Matte Black
Shade: PC Lens

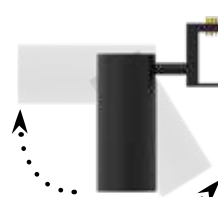
DIMENSIONS

ø2.5" x 5.5"H



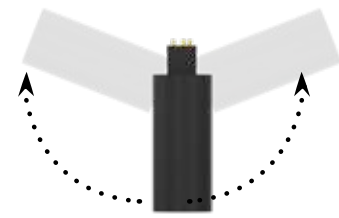
SIDE VIEW

120°



FRONT VIEW

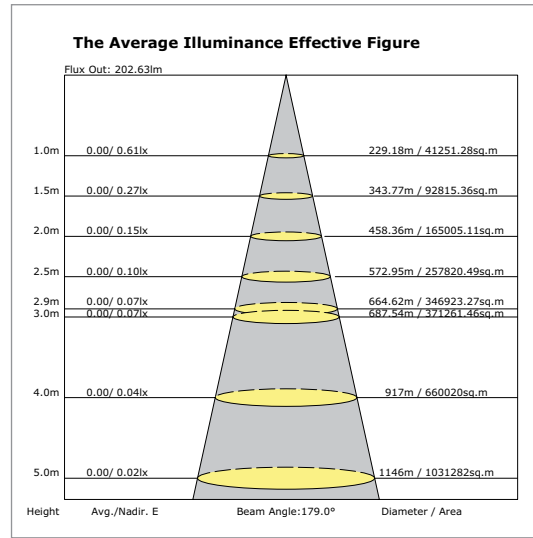
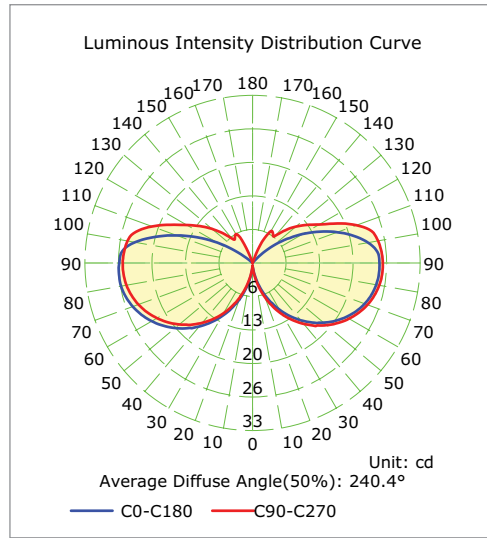
240°



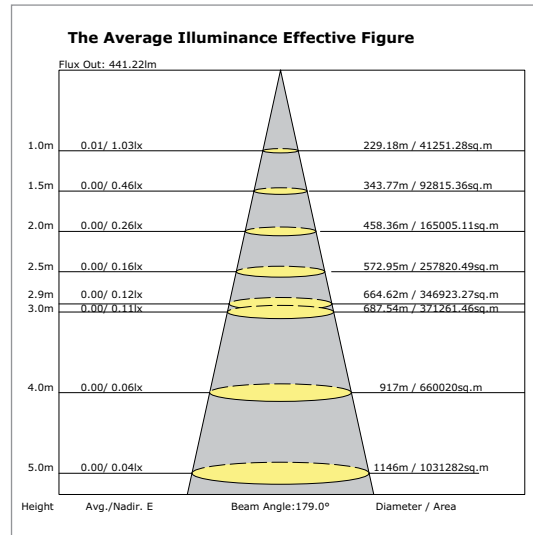
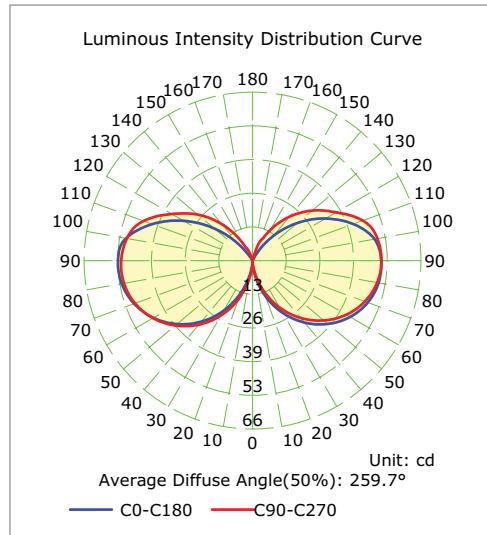
PHOTOMETRICS



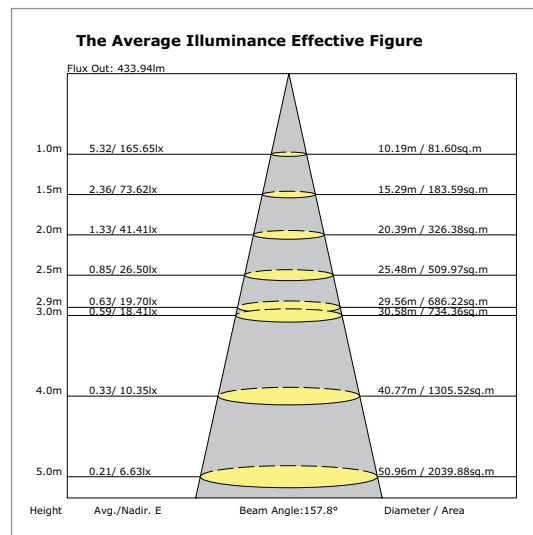
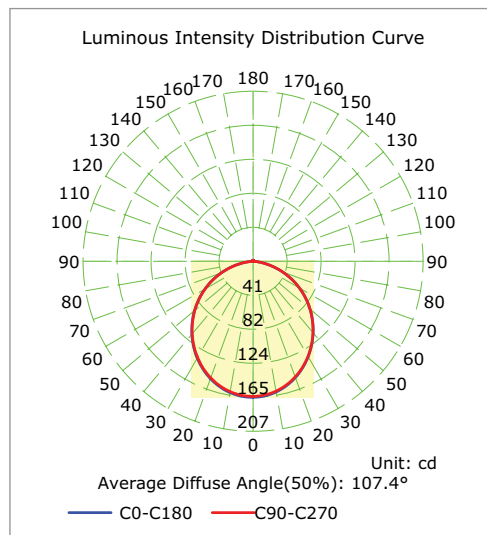
38204-012
6W GLOW BAR



38205-019
10W GLOW BAR



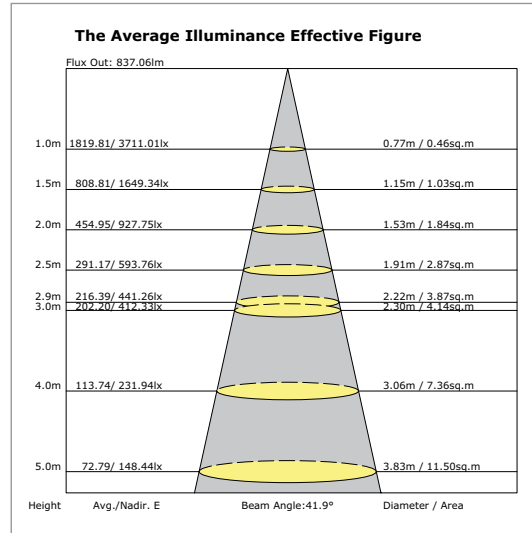
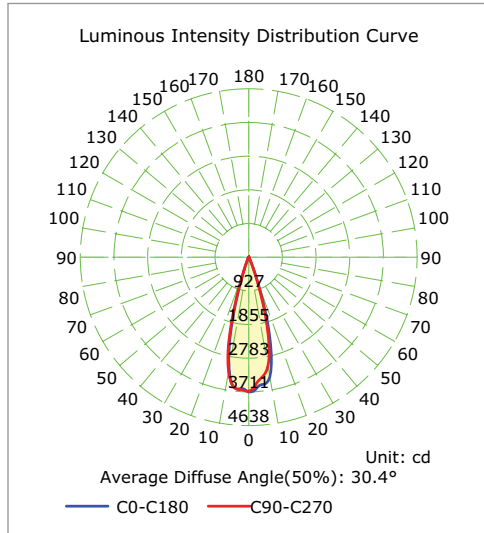
38142-017
10W FIXED DOWN LIGHT



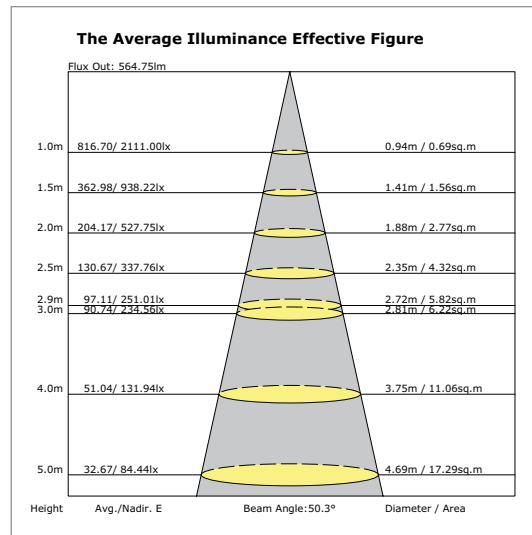
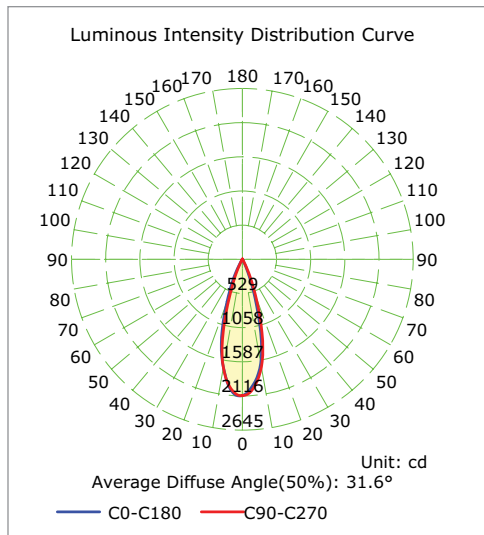
PHOTOMETRICS



38141-010
13W ADJUSTABLE
SPOT LIGHT



38140-013
8W ADJUSTABLE
SPOT LIGHT





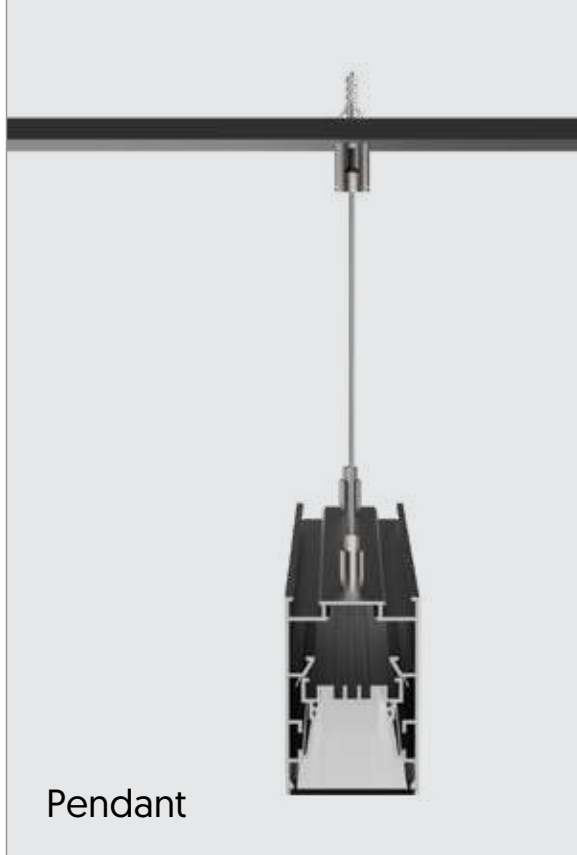


CIRCUIT BOARD EXTRUSION LED

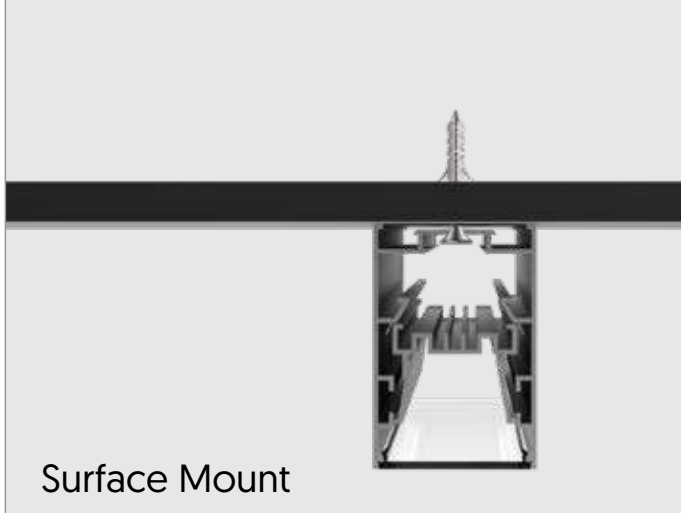
ARCHITECTURAL PROFILES

Linear lighting comprised of the finest LED components are fully assembled in our facility in Canada. These durable LED lights are built to last. The flat circuit boards will illuminate any space whether on a small or large-scale capacity. With endless possibilities of shapes and colors, these LED extrusions are the new IT in lighting.





Pendant



Surface Mount



Recessed Trim



Wall Mount

MOUNTING OPTIONS

- Full length mounting slot for adjustable mounting system
- Mounting screws & support system included
- 6.5 feet of wire, aircraft cable & canopy included
(Not applicable to 36081-011, 36098-019 & 37641-016)

FEATURES

- Aircraft grade extruded aluminum outer profile
- Robust aluminum internal heat sink with radial fins help dissipate heat prolonging LED board and driver service life
- Opaque PC diffuser helps soften light and prevents hot spots
- Input Voltage: 120V-277V or 347V (Consult factory for 347V)
- Integrated or remote driver; Custom modification available
- Consult factory for custom mitred corners to build various shapes
- 5 year 50,000 HR fixture warranty
- 3000K, 3500K, 4000K, 5000K Color Temperature Available



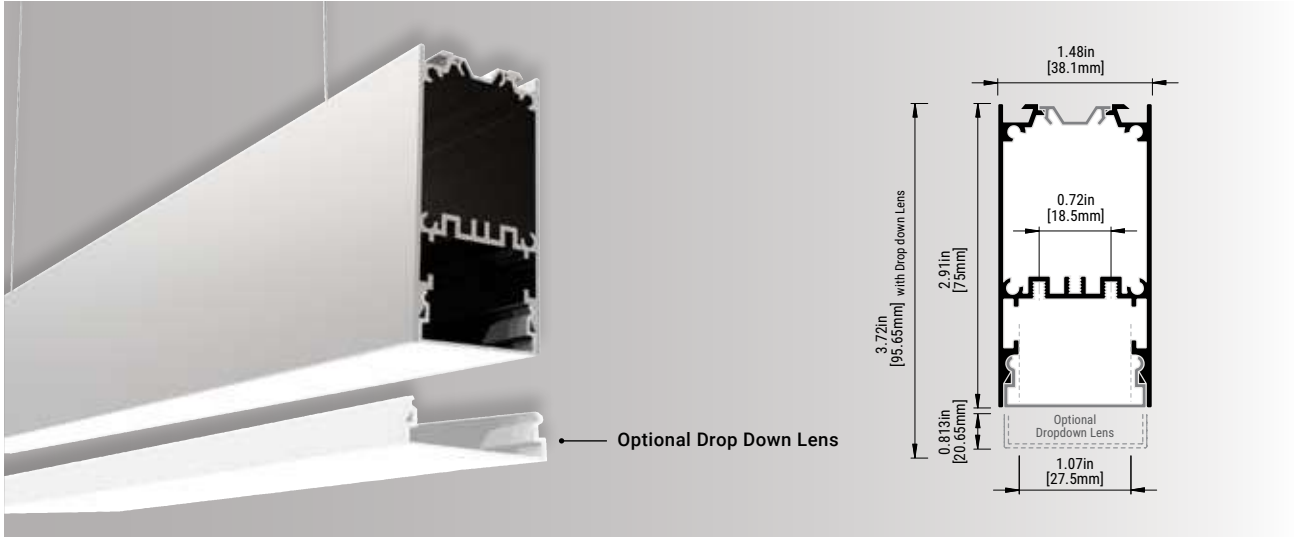
WARRANTY

Eurofase Lighting will warrant defective LEDs boards, and drivers for 5 years from date of purchase. Warranty is valid if luminaire is installed and used according to specifications. If defective, Eurofase will send replacement gear tray with complete board & drivers at no cost along with detailed replacement instructions and instructions on how to return defective components to Eurofase.

APPLICATIONS

- Indoor damp or dry locations only
- General illumination for commercial / residential uses

36053-018 **PENDANT** LED



ORDERING **36053-018**

1	2	3	4	5	6	7	8	9	10	11
---	---	---	---	---	---	---	---	---	----	----

<p>1 - ITEM #</p> <p>36053-018</p>	<p>2 - LENGTH</p> <p>2 2 ft</p> <p>3 3 ft</p> <p>4 4 ft</p> <p>5 5 ft</p> <p>6 6 ft</p> <p>7 7 ft</p> <p>8 8 ft</p> <p>CR Continuous Run (Specify Total Length)</p> <p>PAT Pattern (Refer to pg 94)</p>	<p>3 - COLOR TEMP</p> <p>30 3000K/80 CRI</p> <p>35 3500K/80 CRI</p> <p>40 4000K/80 CRI</p> <p>50 5000K/80 CRI</p> <p>7 - FINISHES</p> <p>AL** Aluminum (Standard)</p> <p>WHT* White</p> <p>BLK*** Black</p> <p>CC Custom Color (Provide RAL number**)</p> <p>*White cord and canopy provided. ** Clear cord & white canopy provided ***Black cord & canopy provided (Must specify for other requests.)</p>	<p>4 - LED SYSTEMS</p> <p>SLP Standard Lumen Package</p> <p>8 - MOUNTING</p> <p>AC Air Craft Cable (Standard 78")</p>	<p>5 - VOLTAGE</p> <p>1 120/277V</p> <p>2 347V</p> <p>9 - OPTICS</p> <p>SD Standard Diffuser</p> <p>DL Drop Lens</p>	<p>6 - DRIVERS</p> <p>OS1 1% Dimming (0-10V)</p> <p>TRI Triac Dimmable LED Driver</p> <p>TW Tunable White (1500K-6500K)</p> <p>HL1 Lutron HI-LUME 1% 2-wire LED Driver</p> <p>ES Lutron Digital Ecosystem</p> <p>5ES 5 Series Ecosystem; 5% Dimming</p> <p>10 - CONTROLS (Optional)</p> <p>BT Casambi Bluetooth Controller</p> <p>LS Light Saver Dimming Photosensor</p> <p>LSS Light Saver Switching Photosensor</p> <p>11 - OTHER OPTIONS</p> <p>OTIEM Emergency battery backup</p>
---	--	--	---	--	--

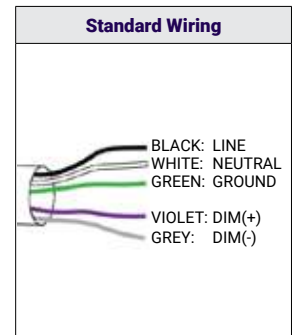
SIZE	LENGTH
2 feet	22.5"
3 feet	33.5"
4 feet	44.5"
5 feet	55.5"
6 feet	66.6"
7 feet	77.5"
8 feet	88.5"

* Max 8' per continuous piece

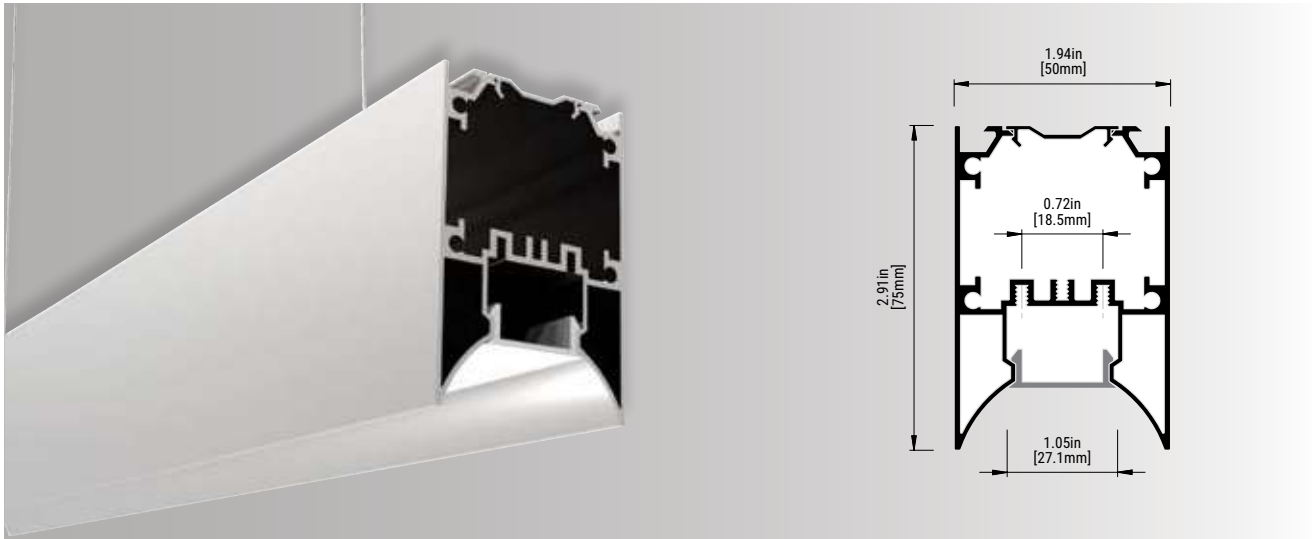
LUMEN PACKAGE	Nominal System Watts	Nominal Delivered Lumens	Nominal Efficacy
SLP Standard Lumen Package	8 W/ft	770 lm/ft	96 LPW

Based on a 3500K luminaire using one driver.

Canopy	Power Cord	Imperial (in)	
<input type="checkbox"/> White	<input type="checkbox"/> White	<input type="checkbox"/> 12	<input type="checkbox"/> 54
<input type="checkbox"/> Black	<input type="checkbox"/> Black	<input type="checkbox"/> 18	<input type="checkbox"/> 60
<input type="checkbox"/> Satin Nickel	<input type="checkbox"/> Clear	<input type="checkbox"/> 24	<input type="checkbox"/> 72
<input type="checkbox"/> Chrome		<input type="checkbox"/> 30	<input type="checkbox"/> 96
<input type="checkbox"/> Custom Color RAL		<input type="checkbox"/> 36	<input type="checkbox"/> 120
		<input type="checkbox"/> 42	<input type="checkbox"/> 144
		<input type="checkbox"/> 48	<input type="checkbox"/> Custom Length:



LED 36104-017 PENDANT



ORDERING **36104-017** 1 2 3 4 5 6 7 8 9 10 11

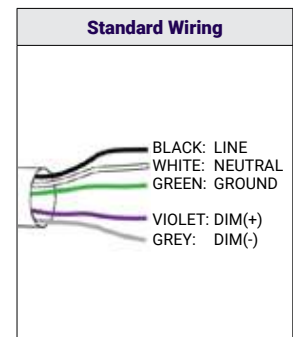
1 - ITEM #	2 - LENGTH	3 - COLOR TEMP	4 - LED SYSTEMS	5 - VOLTAGE	6 - DRIVERS
36104-017	2 2 ft 3 3 ft 4 4 ft 5 5 ft 6 6 ft 7 7 ft 8 8 ft	30 3000K/80 CRI 35 3500K/80 CRI 40 4000K/80 CRI 50 5000K/80 CRI	SLP Standard Lumen Package	1 120/277V 2 347V	OS1 1% Dimming (0-10V) TRI Triac Dimmable LED Driver TW Tunable White (1500K-6500K) HL1 Lutron HI-LUME 1% 2-wire LED Driver ES Lutron Digital Ecosystem 5ES 5 Series Ecosystem; 5% Dimming
	CR Continuous Run (Specify Total Length) PAT Pattern (Refer to pg 94)	7 - FINISHES AL** Aluminum (Standard) WHT* White BLK*** Black CC Custom Color (Provide RAL number**)	8 - MOUNTING AC Air Craft Cable (Standard 72")	9 - OPTICS SD Standard Diffuser	10 - CONTROLS (Optional) BT Casambi Bluetooth Controller LS Light Saver Dimming Photosensor LSS Light Saver Switching Photosensor
		*White cord and canopy provided. ** Clear cord & white canopy provided ***Black cord & canopy provided (Must specify for other requests.)			11 - OTHER OPTIONS OTIEM Emergency battery backup

SIZE	LENGTH
2 feet	22.5"
3 feet	33.5"
4 feet	44.5"
5 feet	55.5"
6 feet	66.6"
7 feet	77.5"
8 feet	88.5"

LUMEN PACKAGE	Nominal System Watts	Nominal Delivered Lumens	Nominal Efficacy
SLP Standard Lumen Package	8 W/ft	770 lm/ft	96 LPW

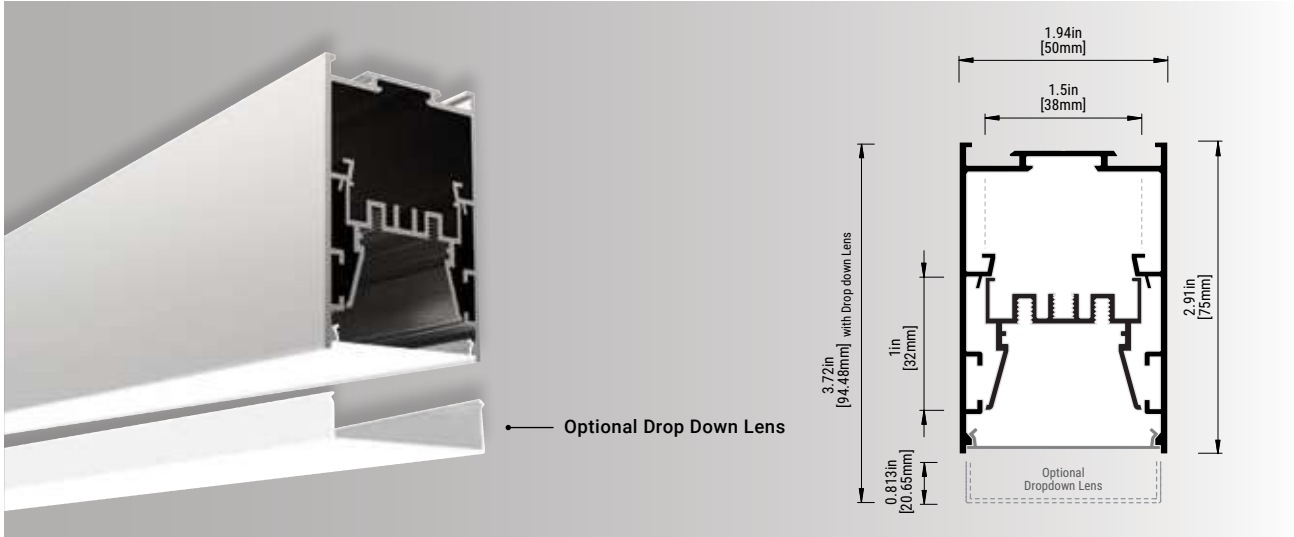
Based on a 3500K luminaire using one driver.

Canopy	Power Cord	Imperial (in)	
<input type="checkbox"/> White	<input type="checkbox"/> White	<input type="checkbox"/> 12	<input type="checkbox"/> 54
<input type="checkbox"/> Black	<input type="checkbox"/> Black	<input type="checkbox"/> 18	<input type="checkbox"/> 60
<input type="checkbox"/> Satin Nickel	<input type="checkbox"/> Clear	<input type="checkbox"/> 24	<input type="checkbox"/> 72
<input type="checkbox"/> Chrome		<input type="checkbox"/> 30	<input type="checkbox"/> 96
<input type="checkbox"/> Custom Color RAL		<input type="checkbox"/> 36	<input type="checkbox"/> 120
		<input type="checkbox"/> 42	<input type="checkbox"/> 144
		<input type="checkbox"/> 48	<input type="checkbox"/> Custom Length:



* Max 8' per continuous piece

36070-015 PENDANT / SURFACE MOUNT LED



ORDERING 36070-015

	1	2	3	4	5	6	7	8	9	10	11
--	--	--	--	--	--	--	--	--	--	---	---

<p>1 - ITEM #</p> <p>36070-015</p>	<p>2 - LENGTH</p> <p>2 2 ft</p> <p>3 3 ft</p> <p>4 4 ft</p> <p>5 5 ft</p> <p>6 6 ft</p> <p>7 7 ft</p> <p>8 8 ft</p> <p>CR Continuous Run (Specify Total Length)</p> <p>PAT Pattern (Refer to pg 94)</p>	<p>3 - COLOR TEMP</p> <p>30 3000K/80 CRI</p> <p>35 3500K/80 CRI</p> <p>40 4000K/80 CRI</p> <p>50 5000K/80 CRI</p> <p>7 - FINISHES</p> <p>AL** Aluminum (Standard)</p> <p>WHT* White</p> <p>BLK*** Black</p> <p>CC Custom Color (Provide RAL number**)</p> <p><small>*White cord and canopy provided. ** Clear cord & white canopy provided ***Black cord & canopy provided (Must specify for other requests.)</small></p>	<p>4 - LED SYSTEMS</p> <p>SLP Standard Lumen Package</p> <p>8 - MOUNTING</p> <p>AC Air Craft Cable (Standard 72")</p> <p>SM Surface Mount</p>	<p>5 - VOLTAGE</p> <p>1 120/277V</p> <p>2 347V</p> <p>9 - OPTICS</p> <p>SD Standard Diffuser</p> <p>DL Drop Lens</p>	<p>6 - DRIVERS</p> <p>OS1 1% Dimming (0-10V)</p> <p>TRI Triac Dimmable LED Driver</p> <p>TW Tunable White (1500K-6500K)</p> <p>HL1 Lutron HI-LUME 1% 2-wire LED Driver</p> <p>ES Lutron Digital Ecosystem</p> <p>5ES 5 Series Ecosystem; 5% Dimming</p> <p>10 - CONTROLS (Optional)</p> <p>BT Casambi Bluetooth Controller</p> <p>LS Light Saver Dimming Photosensor</p> <p>LSS Light Saver Switching Photosensor</p> <p>11 - OTHER OPTIONS</p> <p>OTIEM Emergency battery backup</p>
--	--	---	--	--	--

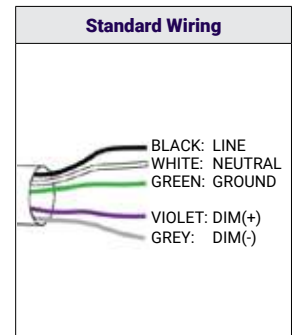
SIZE	LENGTH
2 feet	22.5"
3 feet	33.5"
4 feet	44.5"
5 feet	55.5"
6 feet	66.6"
7 feet	77.5"
8 feet	88.5"

* Max 8' per continuous piece

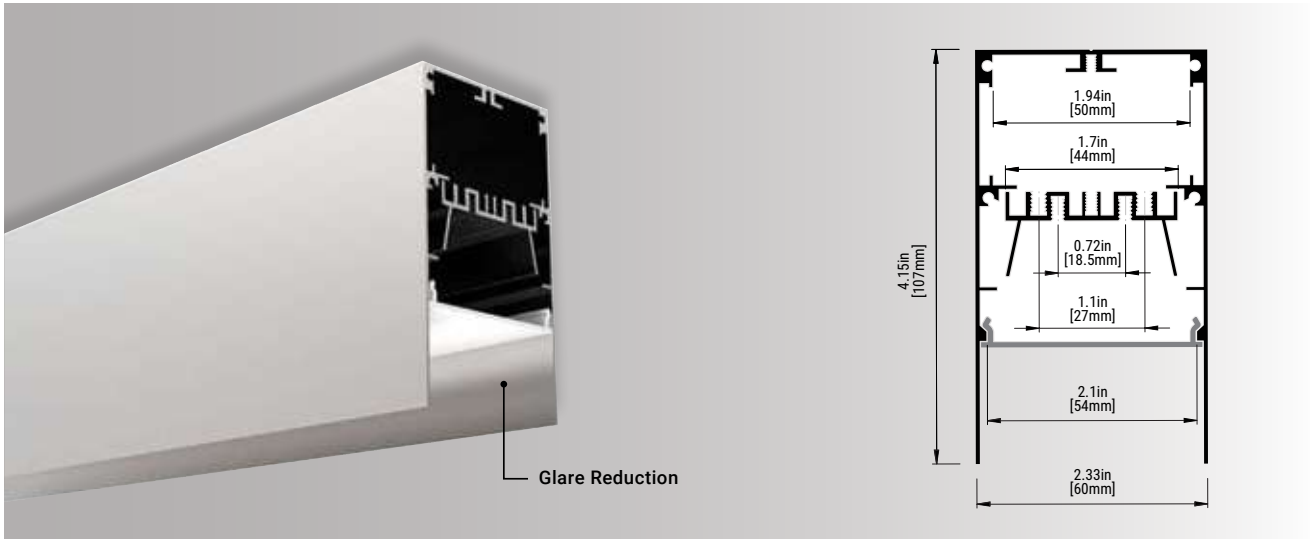
LUMEN PACKAGE	Nominal System Watts	Nominal Delivered Lumens	Nominal Efficacy
SLP Standard Lumen Package	8 W/ft	640 lm/ft	80 LPW

Based on a 3500K luminaire using one driver.

Canopy	Power Cord	Imperial (in)	
<input type="checkbox"/> White	<input type="checkbox"/> White	<input type="checkbox"/> 12	<input type="checkbox"/> 54
<input type="checkbox"/> Black	<input type="checkbox"/> Black	<input type="checkbox"/> 18	<input type="checkbox"/> 60
<input type="checkbox"/> Satin Nickel	<input type="checkbox"/> Clear	<input type="checkbox"/> 24	<input type="checkbox"/> 72
<input type="checkbox"/> Chrome		<input type="checkbox"/> 30	<input type="checkbox"/> 96
<input type="checkbox"/> Custom Color RAL		<input type="checkbox"/> 36	<input type="checkbox"/> 120
		<input type="checkbox"/> 42	<input type="checkbox"/> 144
		<input type="checkbox"/> 48	<input type="checkbox"/> Custom Length:



LED 36134-014 **PENDANT / SURFACE MOUNT**



ORDERING **36134-014**

1	2	3	4	5	6	7	8	9	10	11
---	---	---	---	---	---	---	---	---	----	----

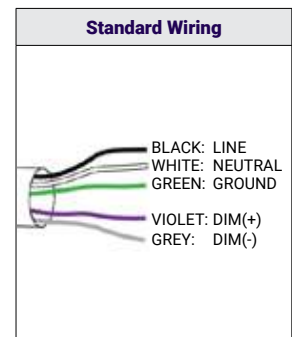
1 - ITEM #	2 - LENGTH	3 - COLOR TEMP	4 - LED SYSTEMS	5 - VOLTAGE	6 - DRIVERS
36134-014	2 2 ft 3 3 ft 4 4 ft 5 5 ft 6 6 ft 7 7 ft 8 8 ft	30 3000K/80 CRI 35 3500K/80 CRI 40 4000K/80 CRI 50 5000K/80 CRI	SLP Standard Lumen Package	1 120/277V 2 347V	OS1 1% Dimming (0-10V) TRI Triac Dimmable LED Driver TW Tunable White (1500K-6500K) HL1 Lutron HI-LUME 1% 2-wire LED Driver ES Lutron Digital Ecosystem 5ES 5 Series Ecosystem; 5% Dimming
CR Continuous Run (Specify Total Length)	PAT Pattern (Refer to pg 94)	7 - FINISHES	8 - MOUNTING	9 - OPTICS	10 - CONTROLS (Optional)
		AL** Aluminum (Standard) WHT* White BLK*** Black CC Custom Color (Provide RAL number**)	AC Air Craft Cable (Standard 72") SM Surface Mount	SD Standard Diffuser	BT Casambi Bluetooth Controller LS Light Saver Dimming Photosensor LSS Light Saver Switching Photosensor
		*White cord and canopy provided. ** Clear cord & white canopy provided ***Black cord & canopy provided (Must specify for other requests.)			11 - OTHER OPTIONS
					OTIEM Emergency battery backup

SIZE	LENGTH
2 feet	22.5"
3 feet	33.5"
4 feet	44.5"
5 feet	55.5"
6 feet	66.6"
7 feet	77.5"
8 feet	88.5"

LUMEN PACKAGE	Nominal System Watts	Nominal Delivered Lumens	Nominal Efficacy
SLP Standard Lumen Package	8 W/ft	770 lm/ft	96 LPW

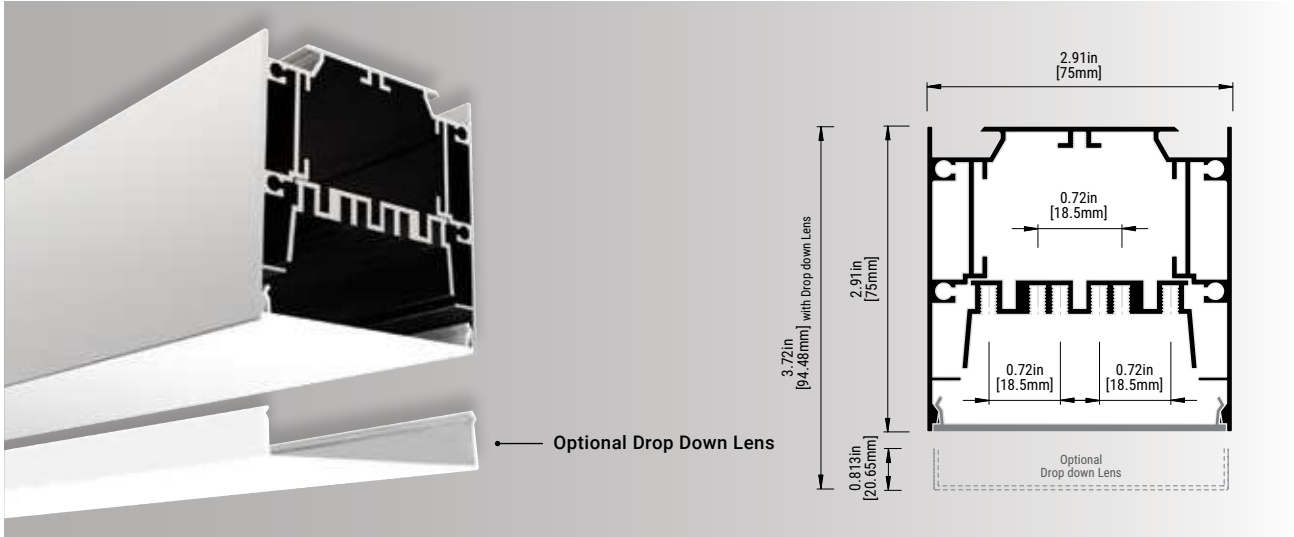
Based on a 3500K luminaire using one driver.

Canopy	Power Cord	Imperial (in)	
<input type="checkbox"/> White	<input type="checkbox"/> White	<input type="checkbox"/> 12	<input type="checkbox"/> 54
<input type="checkbox"/> Black	<input type="checkbox"/> Black	<input type="checkbox"/> 18	<input type="checkbox"/> 60
<input type="checkbox"/> Satin Nickel	<input type="checkbox"/> Clear	<input type="checkbox"/> 24	<input type="checkbox"/> 72
<input type="checkbox"/> Chrome		<input type="checkbox"/> 30	<input type="checkbox"/> 96
<input type="checkbox"/> Custom Color RAL		<input type="checkbox"/> 36	<input type="checkbox"/> 120
		<input type="checkbox"/> 42	<input type="checkbox"/> 144
		<input type="checkbox"/> 48	<input type="checkbox"/> Custom Length:



* Max 8' per continuous piece

36087-013 PENDANT / SURFACE MOUNT LED



ORDERING 36087-013 1 2 3 4 5 6 7 8 9 10 11

<p>1 - ITEM #</p> <p>36087-013</p>	<p>2 - LENGTH</p> <p>2 2 ft</p> <p>3 3 ft</p> <p>4 4 ft</p> <p>5 5 ft</p> <p>6 6 ft</p> <p>7 7 ft</p> <p>8 8 ft</p> <p>CR Continuous Run (Specify Total Length)</p> <p>PAT Pattern (Refer to pg 94)</p>	<p>3 - COLOR TEMP</p> <p>30 3000K/80 CRI</p> <p>35 3500K/80 CRI</p> <p>40 4000K/80 CRI</p> <p>50 5000K/80 CRI</p> <p>7 - FINISHES</p> <p>AL** Aluminum (Standard)</p> <p>WHT* White</p> <p>BLK*** Black</p> <p>CC Custom Color (Provide RAL number**)</p> <p><small>*White cord and canopy provided. ** Clear cord & white canopy provided ***Black cord & canopy provided (Must specify for other requests.)</small></p>	<p>4 - LED SYSTEMS</p> <p>SLP Standard Lumen Package</p> <p>8 - MOUNTING</p> <p>AC Air Craft Cable (Standard 72")</p> <p>SM Surface Mount</p>	<p>5 - VOLTAGE</p> <p>1 120/277V</p> <p>2 347V</p> <p>9 - OPTICS</p> <p>SD Standard Diffuser</p> <p>DL Drop Lens</p>	<p>6 - DRIVERS</p> <p>OS1 1% Dimming (0-10V)</p> <p>TRI Triac Dimmable LED Driver</p> <p>TW Tunable White (1500K-6500K)</p> <p>HL1 Lutron HI-LUME 1% 2-wire LED Driver</p> <p>ES Lutron Digital Ecosystem</p> <p>5ES 5 Series Ecosystem; 5% Dimming</p> <p>10 - CONTROLS (Optional)</p> <p>BT Casambi Bluetooth Controller</p> <p>LS Light Saver Dimming Photosensor</p> <p>LSS Light Saver Switching Photosensor</p> <p>11 - OTHER OPTIONS</p> <p>OTIEM Emergency battery backup</p>
---	--	---	--	--	--

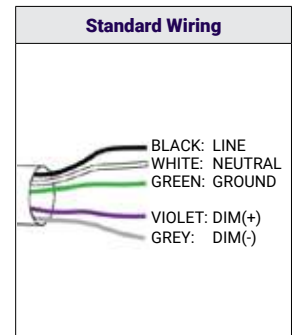
SIZE	LENGTH
2 feet	22.5"
3 feet	33.5"
4 feet	44.5"
5 feet	55.5"
6 feet	66.6"
7 feet	77.5"
8 feet	88.5"

* Max 8' per continuous piece

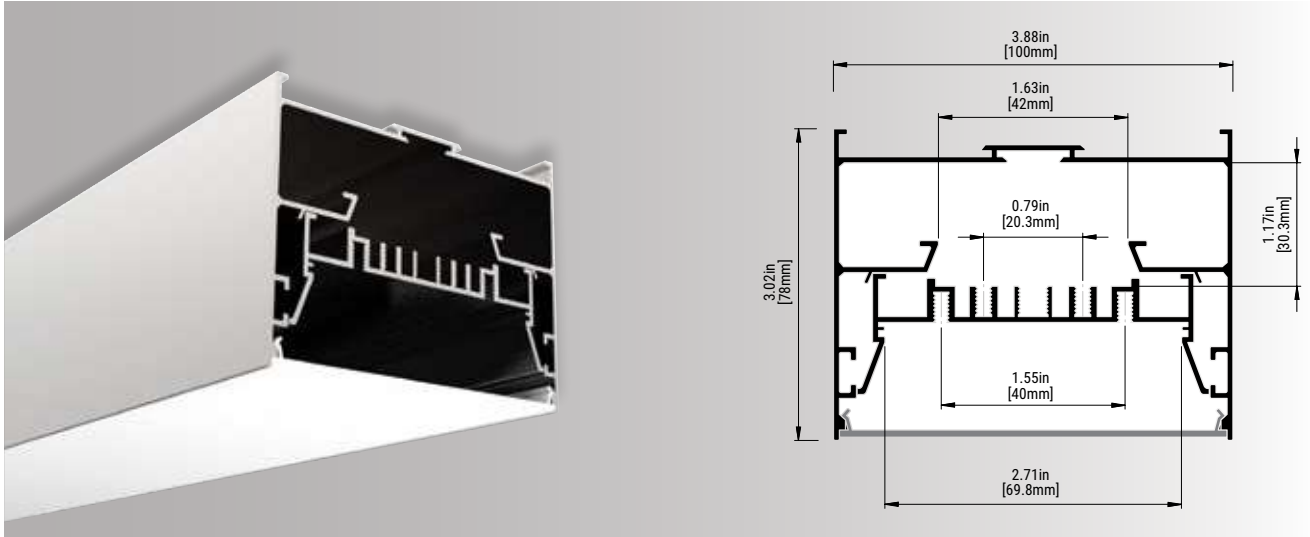
LUMEN PACKAGE	Nominal System Watts	Nominal Delivered Lumens	Nominal Efficacy
SLP Standard Lumen Package	8 W/ft	770 lm/ft	96 LPW

Based on a 3500K luminaire using one driver.

Canopy	Power Cord	Imperial (in)	
<input type="checkbox"/> White	<input type="checkbox"/> White	<input type="checkbox"/> 12	<input type="checkbox"/> 54
<input type="checkbox"/> Black	<input type="checkbox"/> Black	<input type="checkbox"/> 18	<input type="checkbox"/> 60
<input type="checkbox"/> Satin Nickel	<input type="checkbox"/> Clear	<input type="checkbox"/> 24	<input type="checkbox"/> 72
<input type="checkbox"/> Chrome		<input type="checkbox"/> 30	<input type="checkbox"/> 96
<input type="checkbox"/> Custom Color RAL		<input type="checkbox"/> 36	<input type="checkbox"/> 120
		<input type="checkbox"/> 42	<input type="checkbox"/> 144
		<input type="checkbox"/> 48	<input type="checkbox"/> Custom Length:



LED 36139-019 PENDANT / SURFACE MOUNT



ORDERING 36139-019

1	2	3	4	5	6	7	8	9	10	11
---	---	---	---	---	---	---	---	---	----	----

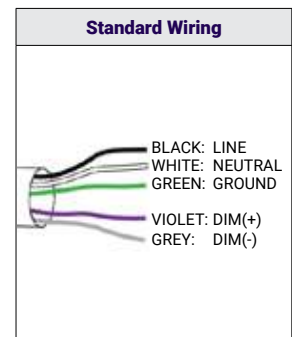
1 - ITEM #	2 - LENGTH	3 - COLOR TEMP	4 - LED SYSTEMS	5 - VOLTAGE	6 - DRIVERS
36139-019	2 2 ft 3 3 ft 4 4 ft 5 5 ft 6 6 ft 7 7 ft 8 8 ft	30 3000K/80 CRI 35 3500K/80 CRI 40 4000K/80 CRI 50 5000K/80 CRI	SLP Standard Lumen Package	1 120/277V 2 347V	OS1 1% Dimming (0-10V) TRI Triac Dimmable LED Driver TW Tunable White (1500K-6500K) HL1 Lutron HI-LUME 1% 2-wire LED Driver ES Lutron Digital Ecosystem 5ES 5 Series Ecosystem; 5% Dimming
CR Continuous Run (Specify Total Length)	PAT Pattern (Refer to pg 94)	7 - FINISHES	8 - MOUNTING	9 - OPTICS	10 - CONTROLS (Optional)
		AL** Aluminum (Standard) WHT* White BLK*** Black CC Custom Color (Provide RAL number**)	AC Air Craft Cable (Standard 78") SM Surface Mount	SD Standard Diffuser	BT Casambi Bluetooth Controller LS Light Saver Dimming Photosensor LSS Light Saver Switching Photosensor
		*White cord and canopy provided. ** Clear cord & white canopy provided ***Black cord & canopy provided (Must specify for other requests.)			11 - OTHER OPTIONS
					OTIEM Emergency battery backup

SIZE	LENGTH
2 feet	22.5"
3 feet	33.5"
4 feet	44.5"
5 feet	55.5"
6 feet	66.6"
7 feet	77.5"
8 feet	88.5"

LUMEN PACKAGE	Nominal System Watts	Nominal Delivered Lumens	Nominal Efficacy
SLP Standard Lumen Package	8 W/ft	770 lm/ft	96 LPW

Based on a 3500K luminaire using one driver.

Canopy	Power Cord	Imperial (in)	
<input type="checkbox"/> White	<input type="checkbox"/> White	<input type="checkbox"/> 12	<input type="checkbox"/> 54
<input type="checkbox"/> Black	<input type="checkbox"/> Black	<input type="checkbox"/> 18	<input type="checkbox"/> 60
<input type="checkbox"/> Satin Nickel	<input type="checkbox"/> Clear	<input type="checkbox"/> 24	<input type="checkbox"/> 72
<input type="checkbox"/> Chrome		<input type="checkbox"/> 30	<input type="checkbox"/> 96
<input type="checkbox"/> Custom Color RAL		<input type="checkbox"/> 36	<input type="checkbox"/> 120
		<input type="checkbox"/> 42	<input type="checkbox"/> 144
		<input type="checkbox"/> 48	<input type="checkbox"/> Custom Length:



* Max 8' per continuous piece

36112-012 PENDANT / WALL MOUNT **LED**



ORDERING **36112-012**

1	2	3	4	5	6	7	8	9	10	11
---	---	---	---	---	---	---	---	---	----	----

1 - ITEM # 36112-012	2 - LENGTH 2 2 ft 3 3 ft 4 4 ft 5 5 ft 6 6 ft 7 7 ft 8 8 ft CR Continuous Run (Specify Total Length) PAT Pattern (Refer to pg 94)	3 - COLOR TEMP 30 3000K/80 CRI 35 3500K/80 CRI 40 4000K/80 CRI 50 5000K/80 CRI 7 - FINISHES AL** Aluminum (Standard) WHT* White BLK*** Black CC Custom Color (Provide RAL number**) *White cord and canopy provided. ** Clear cord & white canopy provided ***Black cord & canopy provided (Must specify for other requests.)	4 - LED SYSTEMS SLP Standard Lumen Package	5 - VOLTAGE 1 120/277V 2 347V	6 - DRIVERS OS1 1% Dimming (0-10V) TRI Triac Dimmable LED Driver TW Tunable White (1500K-6500K) HL1 Lutron HI-LUME 1% 2-wire LED Driver ES Lutron Digital Ecosystem 5ES 5 Series Ecosystem; 5% Dimming
			8 - MOUNTING AC Air Craft Cable (Standard 78") WM Wall Mount	9 - OPTICS SD Standard Diffuser	10 - CONTROLS (Optional) BT Casambi Bluetooth Controller LS Light Saver Dimming Photosensor LSS Light Saver Switching Photosensor
					11 - OTHER OPTIONS OTIEM Emergency battery backup

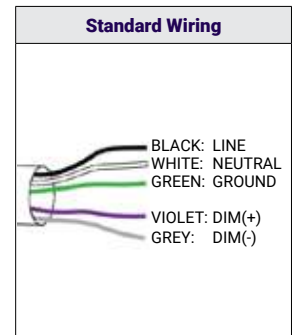
SIZE	LENGTH
2 feet	22.5"
3 feet	33.5"
4 feet	44.5"
5 feet	55.5"
6 feet	66.6"
7 feet	77.5"
8 feet	88.5"

* Max 8' per continuous piece

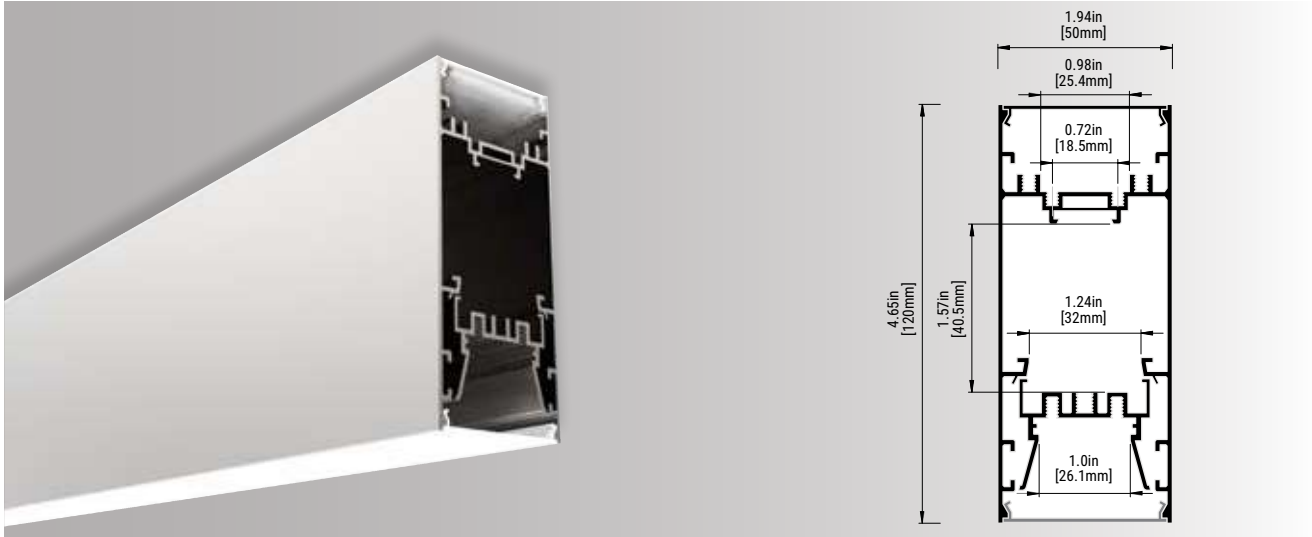
LUMEN PACKAGE	Nominal System Watts	Nominal Delivered Lumens	Nominal Efficacy
SLP Standard Lumen Package	8 W/ft	770 lm/ft	96 LPW

Based on a 3500K luminaire using one driver.

Canopy	Power Cord	Imperial (in)	
<input type="checkbox"/> White	<input type="checkbox"/> White	<input type="checkbox"/> 12	<input type="checkbox"/> 54
<input type="checkbox"/> Black	<input type="checkbox"/> Black	<input type="checkbox"/> 18	<input type="checkbox"/> 60
<input type="checkbox"/> Satin Nickel	<input type="checkbox"/> Clear	<input type="checkbox"/> 24	<input type="checkbox"/> 72
<input type="checkbox"/> Chrome		<input type="checkbox"/> 30	<input type="checkbox"/> 96
<input type="checkbox"/> Custom Color RAL		<input type="checkbox"/> 36	<input type="checkbox"/> 120
		<input type="checkbox"/> 42	<input type="checkbox"/> 144
		<input type="checkbox"/> 48	<input type="checkbox"/> Custom Length:



LED 36121-014 PENDANT / WALL MOUNT



ORDERING **36121-014**

1	2	3	4	5	6	7	8	9	10	11
---	---	---	---	---	---	---	---	---	----	----

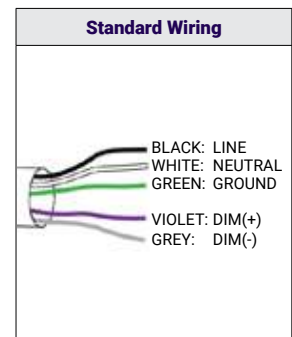
1 - ITEM #	2 - LENGTH	3 - COLOR TEMP	4 - LED SYSTEMS	5 - VOLTAGE	6 - DRIVERS
36121-014	2 2 ft 3 3 ft 4 4 ft 5 5 ft 6 6 ft 7 7 ft 8 8 ft	30 3000K/80 CRI 35 3500K/80 CRI 40 4000K/80 CRI 50 5000K/80 CRI	SLP Standard Lumen Package	1 120/277V 2 347V	OS1 1% Dimming (0-10V) TRI Triac Dimmable LED Driver TW Tunable White (1500K-6500K) HL1 Lutron HI-LUME 1% 2-wire LED Driver ES Lutron Digital Ecosystem 5ES 5 Series Ecosystem; 5% Dimming
CR Continuous Run (Specify Total Length)	PAT Pattern (Refer to pg 94)	7 - FINISHES	8 - MOUNTING	9 - OPTICS	10 - CONTROLS (Optional)
		AL** Aluminum (Standard) WHT* White BLK*** Black CC Custom Color (Provide RAL number**)	AC Air Craft Cable (Standard 78") WM Wall Mount	SD Standard Diffuser	BT Casambi Bluetooth Controller LS Light Saver Dimming Photosensor LSS Light Saver Switching Photosensor
		*White cord and canopy provided. ** Clear cord & white canopy provided ***Black cord & canopy provided (Must specify for other requests.)			11 - OTHER OPTIONS
					OTIEM Emergency battery backup

SIZE	LENGTH
2 feet	22.5"
3 feet	33.5"
4 feet	44.5"
5 feet	55.5"
6 feet	66.6"
7 feet	77.5"
8 feet	88.5"

LUMEN PACKAGE	Nominal System Watts	Nominal Delivered Lumens	Nominal Efficacy
SLP Standard Lumen Package	8 W/ft	770 lm/ft	96 LPW

Based on a 3500K luminaire using one driver.

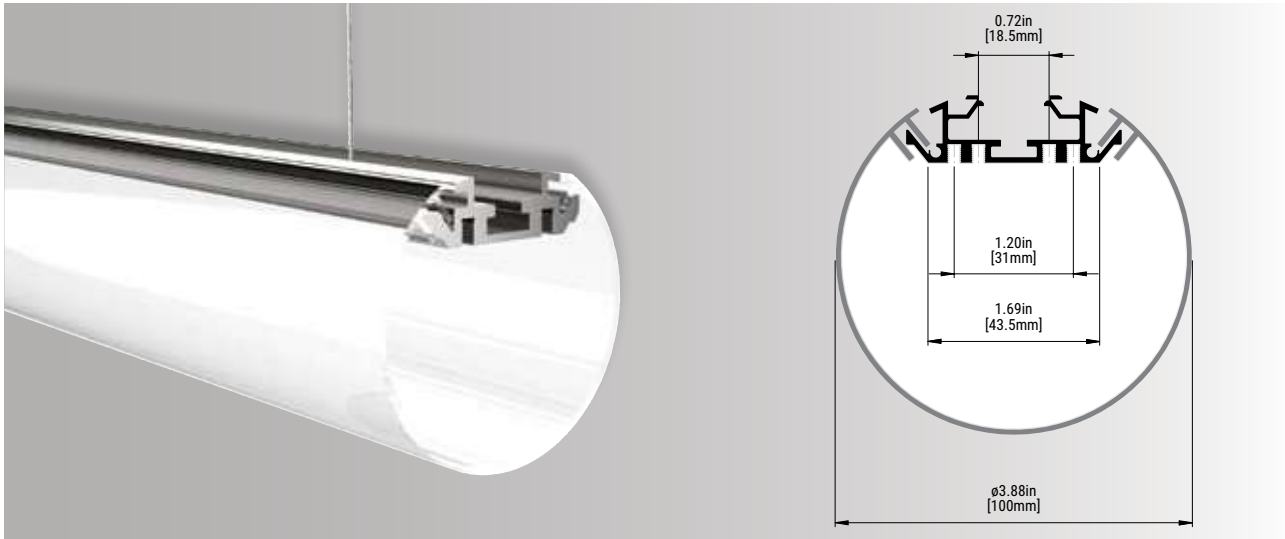
Canopy	Power Cord	Imperial (in)	
<input type="checkbox"/> White	<input type="checkbox"/> White	<input type="checkbox"/> 12	<input type="checkbox"/> 54
<input type="checkbox"/> Black	<input type="checkbox"/> Black	<input type="checkbox"/> 18	<input type="checkbox"/> 60
<input type="checkbox"/> Satin Nickel	<input type="checkbox"/> Clear	<input type="checkbox"/> 24	<input type="checkbox"/> 72
<input type="checkbox"/> Chrome		<input type="checkbox"/> 30	<input type="checkbox"/> 96
<input type="checkbox"/> Custom Color RAL		<input type="checkbox"/> 36	<input type="checkbox"/> 120
		<input type="checkbox"/> 42	<input type="checkbox"/> 144
		<input type="checkbox"/> 48	<input type="checkbox"/> Custom Length:



* Max 8' per continuous piece



LED 36166-015 PENDANT



ORDERING **36166-015**

1	2	3	4	5	6	7	8	9	10	11
---	---	---	---	---	---	---	---	---	----	----

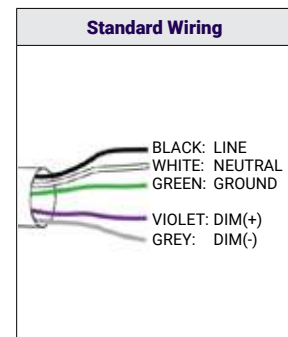
1 - ITEM #	2 - LENGTH	3 - COLOR TEMP	4 - LED SYSTEMS	5 - VOLTAGE	6 - DRIVERS
36166-015	2 2 ft 3 3 ft 4 4 ft 5 5 ft 6 6 ft 7 7 ft 8 8 ft	30 3000K/80 CRI 35 3500K/80 CRI 40 4000K/80 CRI 50 5000K/80 CRI	SLP Standard Lumen Package	1 120/277V 2 347V	OS1 1% Dimming (0-10V) TRI Triac Dimmable LED Driver TW Tunable White (1500K-6500K) HL1 Lutron HI-LUME 1% 2-wire LED Driver ES Lutron Digital Ecosystem 5ES 5 Series Ecosystem; 5% Dimming
		7 - FINISHES	8 - MOUNTING	9 - OPTICS	10 - CONTROLS (Optional)
	CR Continuous Run (Specify Total Length) PAT Pattern (Refer to pg 94)	AL** Aluminum (Standard) WHT* White BLK*** Black CC Custom Color (Provide RAL number**)	AC Air Craft Cable (Standard 78")	SD Standard Diffuser	BT Casambi Bluetooth Controller LS Light Saver Dimming Photosensor LSS Light Saver Switching Photosensor
				11 - OTHER OPTIONS	
		*White cord and canopy provided. ** Clear cord & white canopy provided ***Black cord & canopy provided (Must specify for other requests.)			OTIEM Emergency battery backup

SIZE	LENGTH
2 feet	22.5"
3 feet	33.5"
4 feet	44.5"
5 feet	55.5"
6 feet	66.6"
7 feet	77.5"
8 feet	88.5"

LUMEN PACKAGE	Nominal System Watts	Nominal Delivered Lumens	Nominal Efficacy
SLP Standard Lumen Package	8 W/ft	770 lm/ft	96 LPW

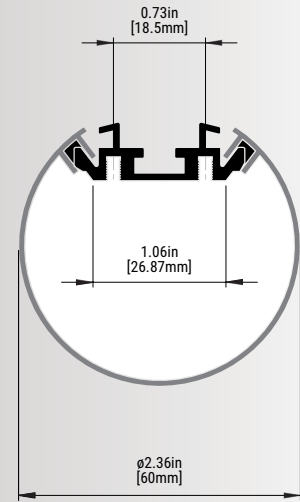
Based on a 3500K luminaire using one driver.

Canopy	Power Cord	Imperial (in)	
<input type="checkbox"/> White	<input type="checkbox"/> White	<input type="checkbox"/> 12	<input type="checkbox"/> 54
<input type="checkbox"/> Black	<input type="checkbox"/> Black	<input type="checkbox"/> 18	<input type="checkbox"/> 60
<input type="checkbox"/> Satin Nickel	<input type="checkbox"/> Clear	<input type="checkbox"/> 24	<input type="checkbox"/> 72
<input type="checkbox"/> Chrome		<input type="checkbox"/> 30	<input type="checkbox"/> 96
<input type="checkbox"/> Custom Color RAL		<input type="checkbox"/> 36	<input type="checkbox"/> 120
		<input type="checkbox"/> 42	<input type="checkbox"/> 144
		<input type="checkbox"/> 48	<input type="checkbox"/> Custom Length:



* Max 8' per continuous piece

36162-017 **PENDANT** LED



ORDERING 36162-017 1 2 3 4 5 6 7 8 9 10 11

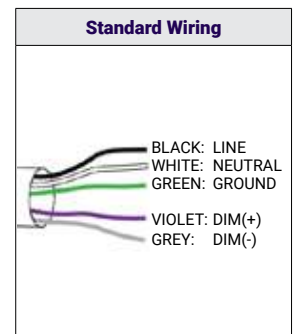
<p>1 - ITEM #</p> <p>36162-017</p>	<p>2 - LENGTH</p> <p>2 2 ft</p> <p>3 3 ft</p> <p>4 4 ft</p> <p>5 5 ft</p> <p>6 6 ft</p> <p>7 7 ft</p> <p>8 8 ft</p> <p>CR Continuous Run (Specify Total Length)</p> <p>PAT Pattern (Refer to pg 94)</p>	<p>3 - COLOR TEMP</p> <p>30 3000K/80 CRI</p> <p>35 3500K/80 CRI</p> <p>40 4000K/80 CRI</p> <p>50 5000K/80 CRI</p> <p>7 - FINISHES</p> <p>AL** Aluminum (Standard)</p> <p>WHT* White</p> <p>BLK*** Black</p> <p>CC Custom Color (Provide RAL number**)</p> <p><small>*White cord and canopy provided. ** Clear cord & white canopy provided ***Black cord & canopy provided (Must specify for other requests.)</small></p>	<p>4 - LED SYSTEMS</p> <p>SLP Standard Lumen Package</p> <p>8 - MOUNTING</p> <p>AC Air Craft Cable (Standard 78")</p>	<p>5 - VOLTAGE</p> <p>1 120/277V</p> <p>2 347V</p> <p>9 - OPTICS</p> <p>SD Standard Diffuser</p>	<p>6 - DRIVERS</p> <p>OS1 1% Dimming (0-10V)</p> <p>TRI Triac Dimmable LED Driver</p> <p>TW Tunable White (1500K-6500K)</p> <p>HL1 Lutron HI-LUME 1% 2-wire LED Driver</p> <p>ES Lutron Digital Ecosystem</p> <p>5ES 5 Series Ecosystem; 5% Dimming</p> <p>10 - CONTROLS (Optional)</p> <p>BT Casambi Bluetooth Controller</p> <p>LS Light Saver Dimming Photosensor</p> <p>LSS Light Saver Switching Photosensor</p> <p>11 - OTHER OPTIONS</p> <p>OTIEM Emergency battery backup</p>
--	--	---	---	---	--

SIZE	LENGTH
2 feet	22.5"
3 feet	33.5"
4 feet	44.5"
5 feet	55.5"
6 feet	66.6"
7 feet	77.5"
8 feet	88.5"

LUMEN PACKAGE	Nominal System Watts	Nominal Delivered Lumens	Nominal Efficacy
SLP Standard Lumen Package	8 W/ft	770 lm/ft	96 LPW

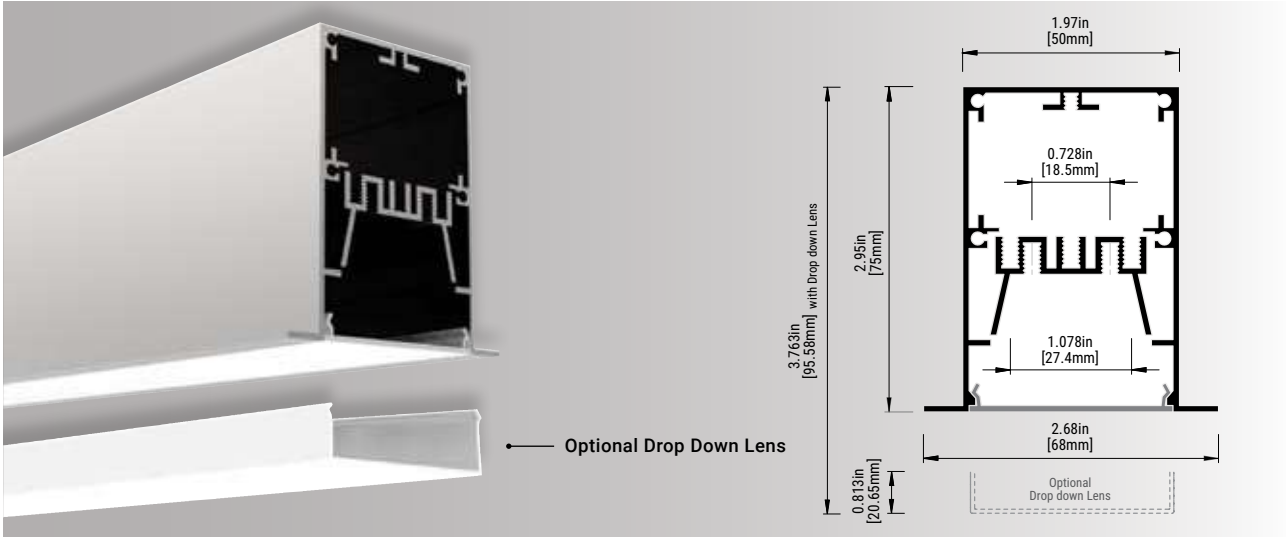
Based on a 3500K luminaire using one driver.

Canopy	Power Cord	Imperial (in)	
<input type="checkbox"/> White	<input type="checkbox"/> White	<input type="checkbox"/> 12	<input type="checkbox"/> 54
<input type="checkbox"/> Black	<input type="checkbox"/> Black	<input type="checkbox"/> 18	<input type="checkbox"/> 60
<input type="checkbox"/> Satin Nickel	<input type="checkbox"/> Clear	<input type="checkbox"/> 24	<input type="checkbox"/> 72
<input type="checkbox"/> Chrome		<input type="checkbox"/> 30	<input type="checkbox"/> 96
<input type="checkbox"/> Custom Color RAL		<input type="checkbox"/> 36	<input type="checkbox"/> 120
		<input type="checkbox"/> 42	<input type="checkbox"/> 144
		<input type="checkbox"/> 48	<input type="checkbox"/> Custom Length:



* Max 8' per continuous piece

LED 36081-011 RECESSED



ORDERING **36081-011**

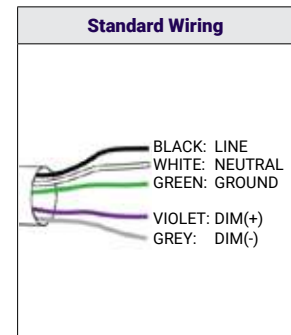
1	2	3	4	5	6	7	8	9	10	11
---	---	---	---	---	---	---	---	---	----	----

1 - ITEM #	2 - LENGTH	3 - COLOR TEMP	4 - LED SYSTEMS	5 - VOLTAGE	6 - DRIVERS
36081-011	2 2 ft 3 3 ft 4 4 ft 5 5 ft 6 6 ft 7 7 ft 8 8 ft	30 3000K/80 CRI 35 3500K/80 CRI 40 4000K/80 CRI 50 5000K/80 CRI	SLP Standard Lumen Package	1 120/277V 2 347V	OS1 1% Dimming (0-10V) TRI Triac Dimmable LED Driver TW Tunable White (1500K-6500K) HL1 Lutron HI-LUME 1% 2-wire LED Driver ES Lutron Digital Ecosystem 5ES 5 Series Ecosystem; 5% Dimming
7 - FINISHES	8 - MOUNTING	9 - OPTICS	10 - CONTROLS (Optional)	11 - OTHER OPTIONS	
CR Continuous Run (Specify Total Length) PAT Pattern (Refer to pg 94)	REC Recessed	AL** Aluminum (Standard) WHT* White BLK*** Black CC Custom Color (Provide RAL number**)	SD Standard Diffuser DL Drop Lens	BT Casambi Bluetooth Controller LS Light Saver Dimming Photosensor LSS Light Saver Switching Photosensor	OTIEM Emergency battery backup
<p>*White cord and canopy provided. ** Clear cord & white canopy provided ***Black cord & canopy provided (Must specify for other requests.)</p>					

SIZE	LENGTH
2 feet	22.5"
3 feet	33.5"
4 feet	44.5"
5 feet	55.5"
6 feet	66.6"
7 feet	77.5"
8 feet	88.5"

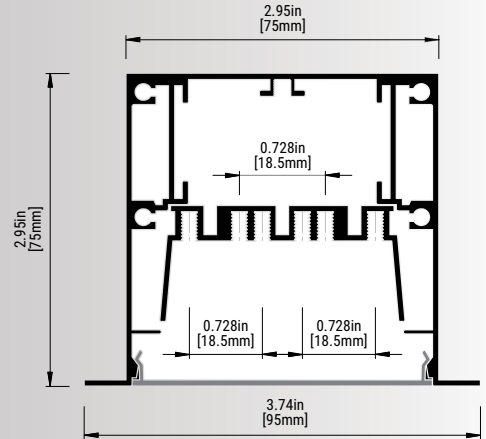
LUMEN PACKAGE	Nominal System Watts	Nominal Delivered Lumens	Nominal Efficacy
SLP Standard Lumen Package	8 W/ft	770 lm/ft	96 LPW

Based on a 3500K luminaire using one driver.



* Max 8' per continuous piece

36098-019 RECESSED LED



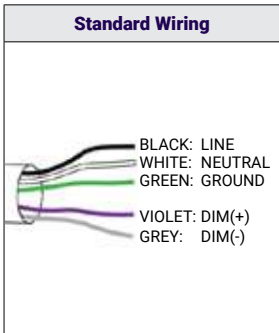
ORDERING 36098-019 1 2 3 4 5 6 7 8 9 10 11

<p>1 - ITEM #</p> <p>36098-019</p>	<p>2 - LENGTH</p> <p>2 2 ft</p> <p>3 3 ft</p> <p>4 4 ft</p> <p>5 5 ft</p> <p>6 6 ft</p> <p>7 7 ft</p> <p>8 8 ft</p> <p>CR Continuous Run (Specify Total Length)</p> <p>PAT Pattern (Refer to pg 94)</p>	<p>3 - COLOR TEMP</p> <p>30 3000K/80 CRI</p> <p>35 3500K/80 CRI</p> <p>40 4000K/80 CRI</p> <p>50 5000K/80 CRI</p> <p>7 - FINISHES</p> <p>AL** Aluminum (Standard)</p> <p>WHT* White</p> <p>BLK*** Black</p> <p>CC Custom Color (Provide RAL number**)</p> <p><small>*White cord and canopy provided. ** Clear cord & white canopy provided ***Black cord & canopy provided (Must specify for other requests.)</small></p>	<p>4 - LED SYSTEMS</p> <p>SLP Standard Lumen Package</p> <p>8 - MOUNTING</p> <p>REC Recessed</p>	<p>5 - VOLTAGE</p> <p>1 120/277V</p> <p>2 347V</p> <p>9 - OPTICS</p> <p>SD Standard Diffuser</p>	<p>6 - DRIVERS</p> <p>OST 1% Dimming (0-10V)</p> <p>TRI Triac Dimmable LED Driver</p> <p>TW Tunable White (1500K-6500K)</p> <p>HL1 Lutron HI-LUME 1% 2-wire LED Driver</p> <p>ES Lutron Digital Ecosystem</p> <p>5ES 5 Series Ecosystem; 5% Dimming</p> <p>10 - CONTROLS (Optional)</p> <p>BT Casambi Bluetooth Controller</p> <p>LS Light Saver Dimming Photosensor</p> <p>LSS Light Saver Switching Photosensor</p> <p>11 - OTHER OPTIONS</p> <p>OTIEM Emergency battery backup</p>
--	--	---	--	---	--

SIZE	LENGTH
2 feet	22.5"
3 feet	33.5"
4 feet	44.5"
5 feet	55.5"
6 feet	66.6"
7 feet	77.5"
8 feet	88.5"

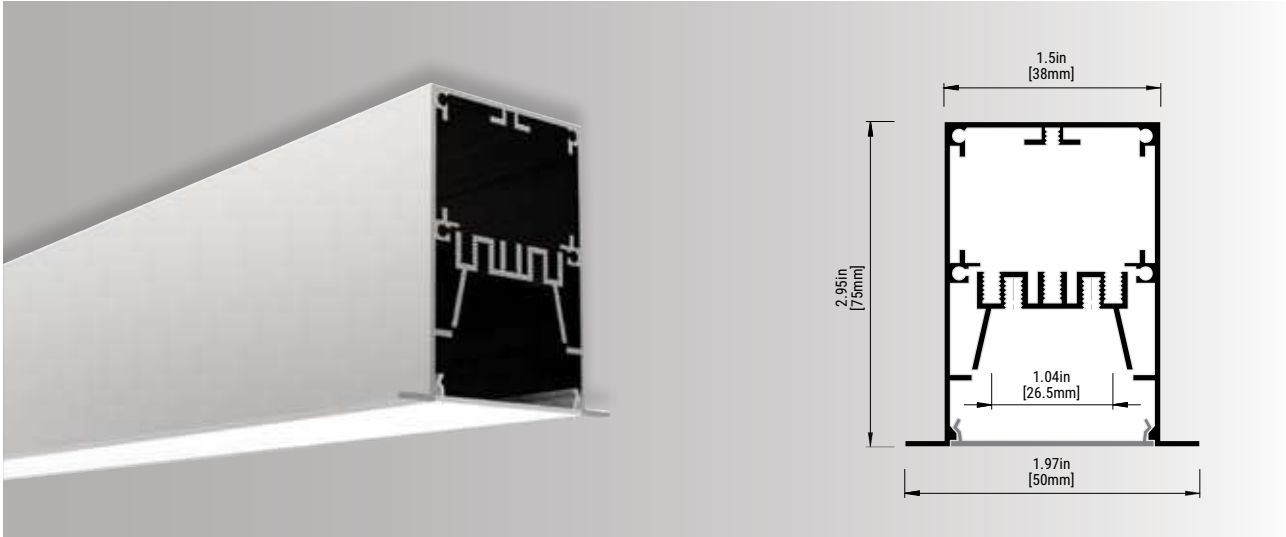
LUMEN PACKAGE	Nominal System Watts	Nominal Delivered Lumens	Nominal Efficacy
SLP Standard Lumen Package	8 W/ft	770 lm/ft	96 LPW

Based on a 3500K luminaire using one driver.



* Max 8' per continuous piece

LED 37641-016 **RECESSED**



ORDERING **37641-016**

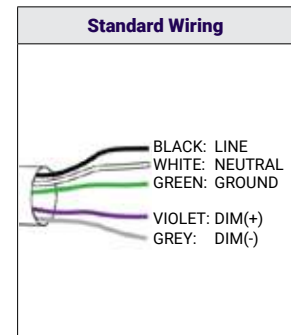
1	2	3	4	5	6	7	8	9	10	11
---	---	---	---	---	---	---	---	---	----	----

1 - ITEM #	2 - LENGTH	3 - COLOR TEMP	4 - LED SYSTEMS	5 - VOLTAGE	6 - DRIVERS
37641-016	2 2 ft 3 3 ft 4 4 ft 5 5 ft 6 6 ft 7 7 ft 8 8 ft	30 3000K/80 CRI 35 3500K/80 CRI 40 4000K/80 CRI 50 5000K/80 CRI	SLP Standard Lumen Package	1 120/277V 2 347V	OS1 1% Dimming (0-10V) TRI Triac Dimmable LED Driver TW Tunable White (1500K-6500K) HL1 Lutron HI-LUME 1% 2-wire LED Driver ES Lutron Digital Ecosystem 5ES 5 Series Ecosystem; 5% Dimming
		7 - FINISHES	8 - MOUNTING	9 - OPTICS	10 - CONTROLS (Optional)
	CR Continuous Run (Specify Total Length) PAT Pattern (Refer to pg 94)	AL** Aluminum (Standard) WHT* White BLK*** Black CC Custom Color (Provide RAL number**)	REC Recessed	SD Standard Diffuser	BT Casambi Bluetooth Controller LS Light Saver Dimming Photosensor LSS Light Saver Switching Photosensor
				11 - OTHER OPTIONS	
		*White cord and canopy provided. ** Clear cord & white canopy provided ***Black cord & canopy provided (Must specify for other requests.)			OTIEM Emergency battery backup

SIZE	LENGTH
2 feet	22.5"
3 feet	33.5"
4 feet	44.5"
5 feet	55.5"
6 feet	66.6"
7 feet	77.5"
8 feet	88.5"

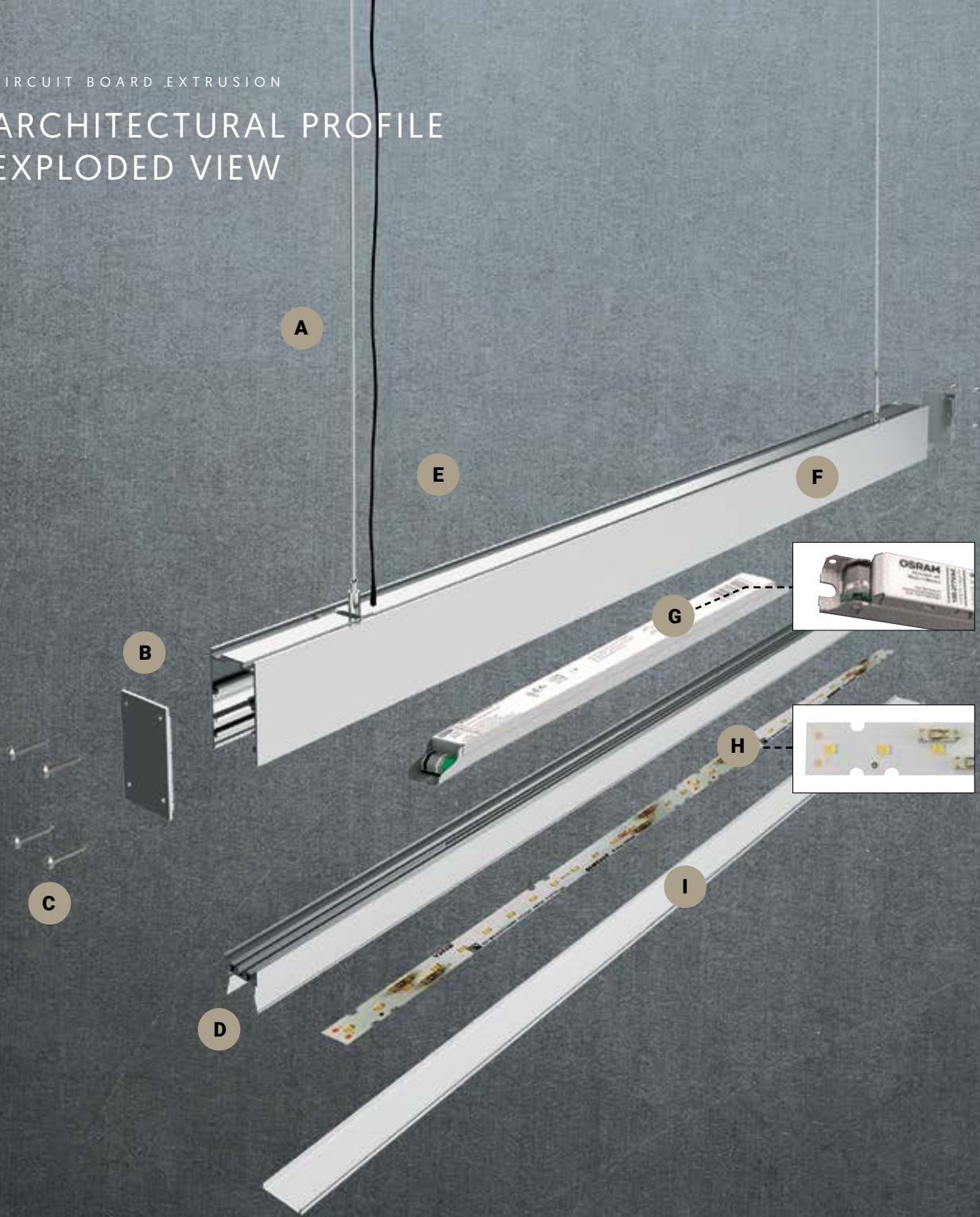
LUMEN PACKAGE	Nominal System Watts	Nominal Delivered Lumens	Nominal Efficacy
SLP Standard Lumen Package	8 W/ft	770 lm/ft	96 LPW

Based on a 3500K luminaire using one driver.



* Max 8' per continuous piece

ARCHITECTURAL PROFILE EXPLODED VIEW



A PENDANT (6.5ft. of Wire & Aircraft cable)

B END CAP

C END CAP SCREWS

D EXTRUDED ALUMINUM HEAT SINK

E A/C POWER CABLE

F ALUMINUM EXTRUDED PROFILE

G LED DRIVER

H LED BOARD

I POLYCARBONATE DIFFUSER

WIRE FEED PLACEMENTS



Flushmount

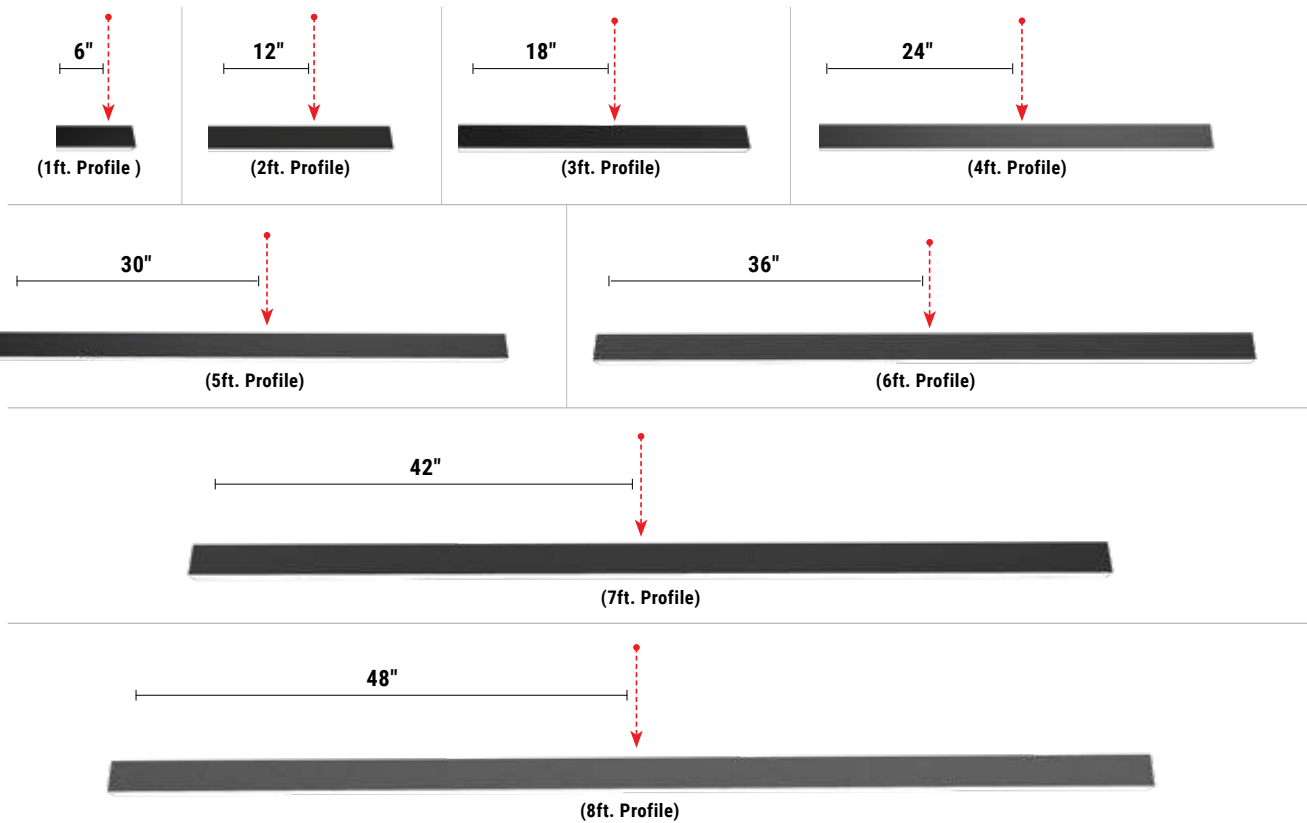


Wall Sconce



Up / Down

Wire Feed Position Indicator

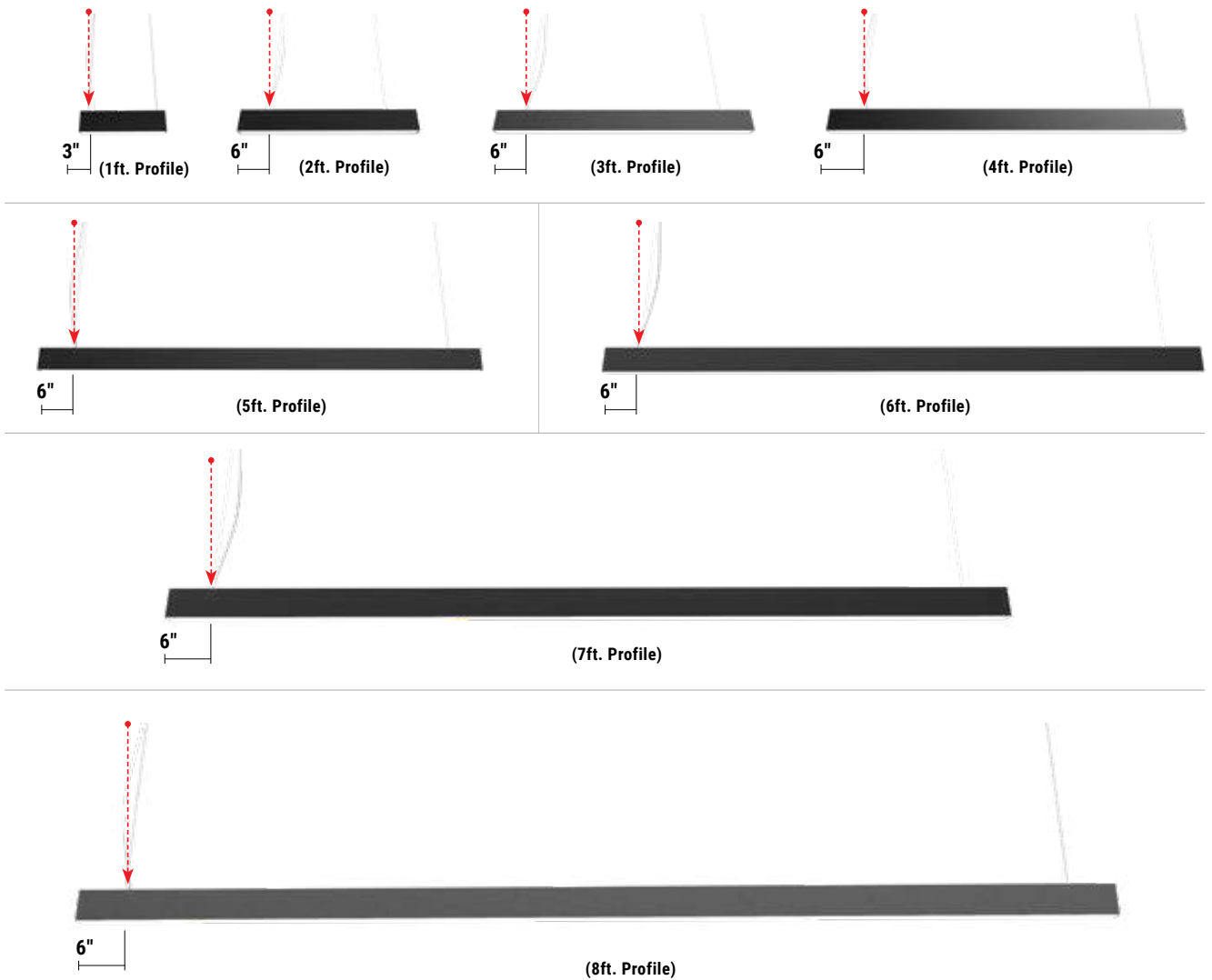


WIRE FEED PLACEMENTS

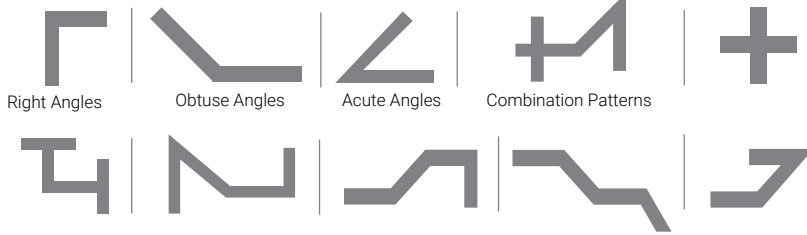


Pendant

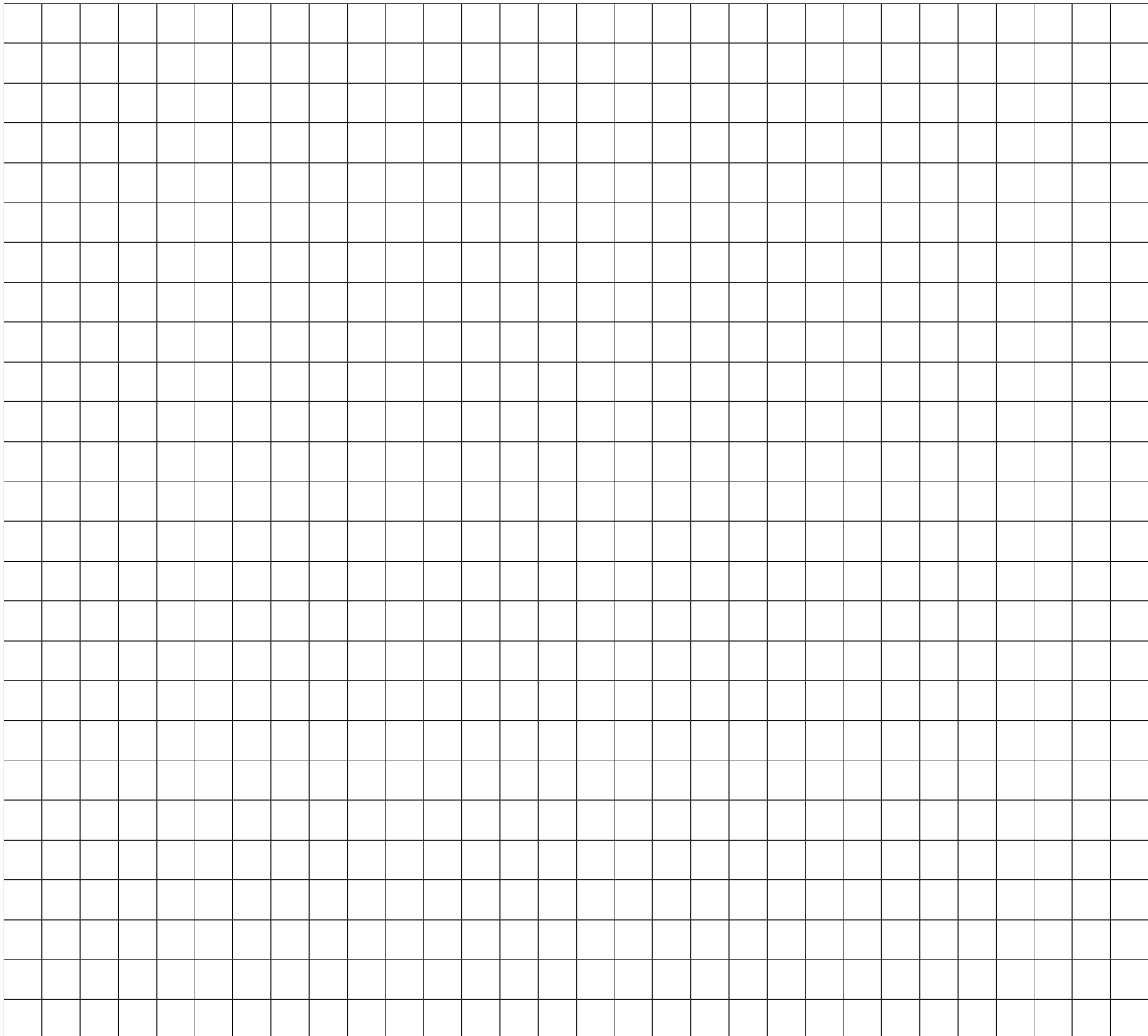
Wire Feed Position Indicator



IDEA BOARD



PATTERNS					
S - X	Square				
R - XY	Rectangle				
U - XYZ	U-Shape				
L - XY	L-Shape				
C	Custom Pattern				
Standard Patterns Minimal Lengths 					
<table border="0"> <tr> <td style="text-align: center;"> S Square X = 23" min. Y = 23" min. </td> <td style="text-align: center;"> R Rectangle X = 23" min. Y = 23" min. Z = 23" min. </td> <td style="text-align: center;"> U U-Shape X = 23" min. Y = 23" min. Z = 23" min. </td> <td style="text-align: center;"> L L-Shape X = 23" min. Y = 23" min. </td> </tr> </table>		S Square X = 23" min. Y = 23" min.	R Rectangle X = 23" min. Y = 23" min. Z = 23" min.	U U-Shape X = 23" min. Y = 23" min. Z = 23" min.	L L-Shape X = 23" min. Y = 23" min.
S Square X = 23" min. Y = 23" min.	R Rectangle X = 23" min. Y = 23" min. Z = 23" min.	U U-Shape X = 23" min. Y = 23" min. Z = 23" min.	L L-Shape X = 23" min. Y = 23" min.		
Custom Patterns 					
Corner All corners are mitre cut and customizable to any degree.					







MINI PROFILES LED

ARCHITECTURAL PROFILES

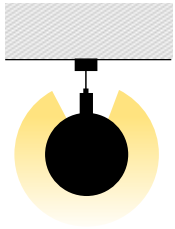
Mini Profiles, as its names suggests, are small in scale to add illumination to secondary lighting applications. They are the optimum choice for undercabinet lighting, stair lighting, cove lighting and general non-invasive lighting needs.

With a minimal profile yielding large lumen outputs, Mini Profiles are an excellent option for your accent lighting needs.



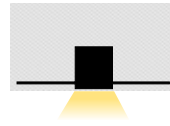
MOUNTING OPTIONS

PENDANT



TUBE LIGHT

RECESSED TRIMLESS



TRIMLESS



TRIMLESS
Inside Corner

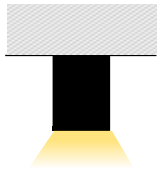


TRIMLESS
Outside Corner

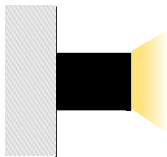


RECESSED TRIMLESS
In-Wall Sidelight

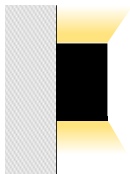
SURFACE MOUNT



FLUSHMOUNT



WALL SCONCE
Sidelight



WALL SCONCE
Up & Downlight



CORNER MOUNT

RECESSED TRIM



RECESSED TRIM

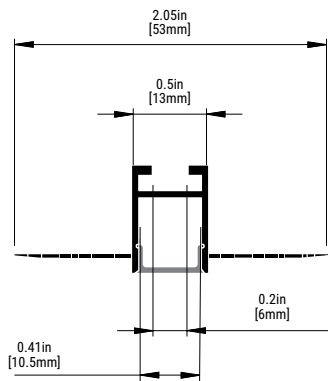
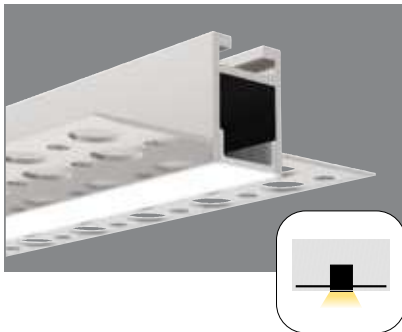


RECESSED TRIM
In-Wall Sidelight

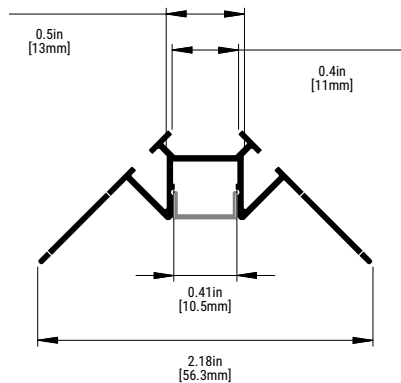
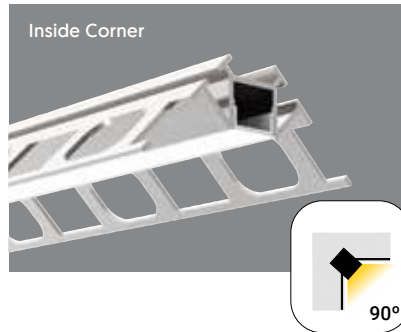


LED RECESSED TRIMLESS

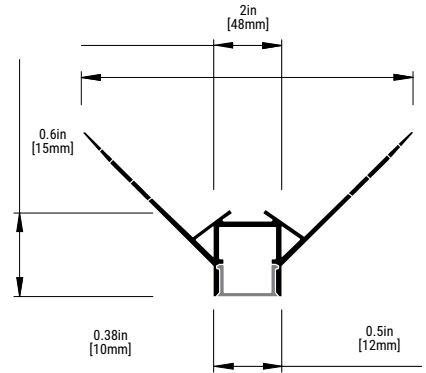
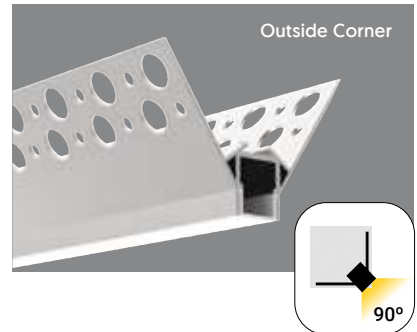
36149-018



36152-018



36155-019



SPECIFICATIONS

- Aircraft grade extruded aluminum profile
- Opaque PC diffuser helps soften light and prevents hot spots
- Input Voltage: 12V or 24V
- Provided with 12" low voltage wire from end
- Consult factory for custom corners & wattages

APPLICATIONS

- Indoor damp or dry locations only
- General illumination for commercial / residential uses
- Wall or ceiling mount

LAMP

- Average LED Life: 50,000 hours
- cULus listed for damp location
- Low voltage magnetic & electronic power supplies

TAPE SELECTION	LUMENS PER FOOT	WATTS PER FOOT
SMD 2835-30	173	1.75
SMD 2835-60	350	3.5
SMD 2835-182	570	4.57

* The chart above illustrates lumen based on 3000K. Lumen for 2700K is 5% less, 4000K is 5% more and 5000K is 7% more.

Power Supply Low-Voltage DC Driver				
ITEM #	WATTAGE	ELECTRONIC / MAGNETIC	OUTPUT VOLTAGE	INPUT VOLTAGE
36695-010	24W	Electronic (Dimming)	12V	120V
36697-014	48W			
36699-018	60W			
36701-018	96W		24V	
36694-013	24W			
36696-017	48W			
36698-011	60W			
36700-011	96W			
30263-017	40W	Magnetic (Dimming)		
30264-014	96W			
30265-011	150W			
30266-018	200W			

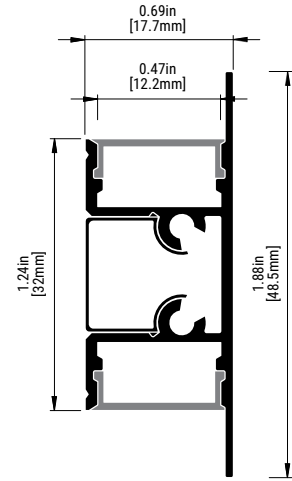
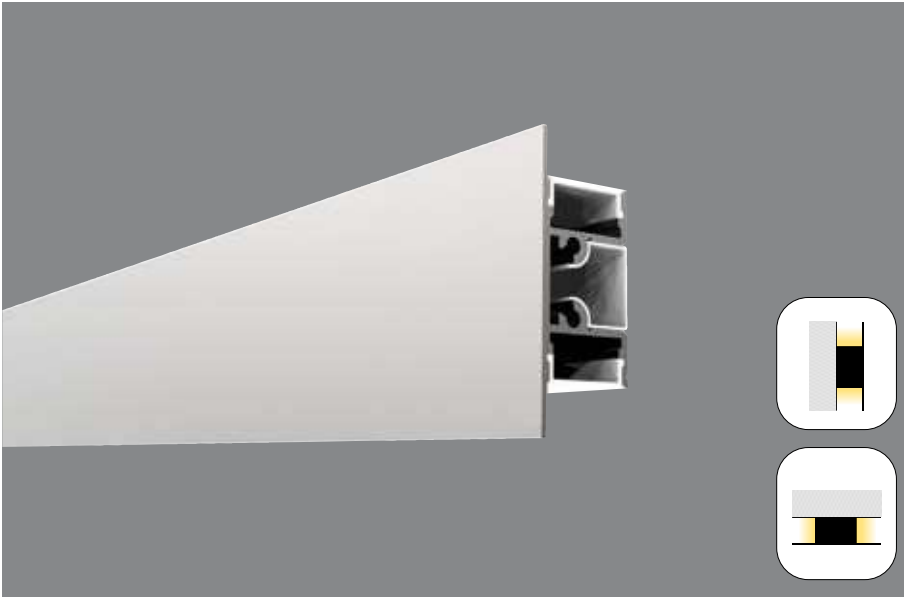
ORDERING GUIDE

Item #	Watts Per Foot	Length	Color Temperature	Voltage
36149-018	-	-	-	-
36152-018	-1 1.75 watts -3 3.50 watts -5 4.57 watts	-1 1 foot (11.5") -2 2 feet (22.5") -3 3 feet (33.5") -4 4 feet (44.5") -5 5 feet (55.5") -6 6 feet (66.5") -7 7 feet (77.5") -8 8 feet (88.5") -9 9 feet (99.5") -10 10 feet (100.5")	-27 2700K Warm White -30 3000K Neutral White -40 4000K Bright White -50 5000K Cool White	-1 12V -2 24V
36155-019				

Max 10' per continuous piece



LED WALL MOUNT / SURFACE MOUNT



36130-016

SPECIFICATIONS

- Aircraft grade extruded aluminum profile
- Opaque PC diffuser helps soften light and prevents hot spots
- Input Voltage: 12V or 24V
- Provided with 12" low voltage wire from end
- Consult factory for custom corners & wattages

APPLICATIONS

- Indoor damp or dry locations only
- General illumination for commercial / residential uses
- Wall or ceiling mount

LAMP

- Average LED Life: 50,000 hours
- cULus listed for damp location
- Low voltage magnetic & electronic power supplies

TAPE SELECTION	LUMENS PER FOOT	WATTS PER FOOT
SMD 2835-30	173	1.75
SMD 2835-60	350	3.5
SMD 2835-182	570	4.57

* The chart above illustrates lumen based on 3000K. Lumen for 2700K is 5% less, 4000K is 5% more and 5000K is 7% more.

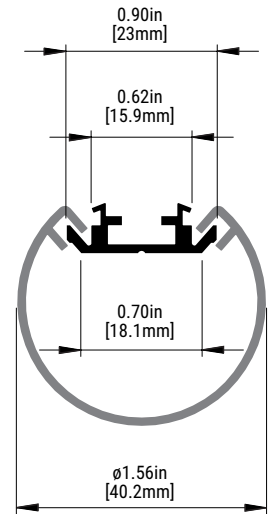
Power Supply Low-Voltage DC Driver				
ITEM #	WATTAGE	ELECTRONIC / MAGNETIC	OUTPUT VOLTAGE	INPUT VOLTAGE
36695-010	24W	Electronic (Dimming)	12V	120V
36697-014	48W			
36699-018	60W			
36701-018	96W			
36694-013	24W		24V	
36696-017	48W			
36698-011	60W			
36700-011	96W			
30263-017	40W	Magnetic (Dimming)	24V	120V
30264-014	96W			
30265-011	150W			
30266-018	200W			

ORDERING GUIDE

Item #	Watts Per Foot	Length	Color Temperature	Voltage
36130-016	-1 1.75 watts -3 3.50 watts -5 4.57 watts	-1 1 foot (11.5") -2 2 feet (22.5") -3 3 feet (33.5") -4 4 feet (44.5") -5 5 feet (55.5") -6 6 feet (66.5") -7 7 feet (77.5") -8 8 feet (88.5") -9 9 feet (99.5") -10 10 feet (100.5")	-27 2700K Warm White -30 3000K Neutral White -40 4000K Bright White -50 5000K Cool White	-1 12V -2 24V

Max 10' per continuous piece

PENDANT MOUNT LED



36158-010

SPECIFICATIONS

- Aircraft grade extruded aluminum profile
- Opaque PC diffuser helps soften light and prevents hot spots
- Input Voltage: 12V or 24V
- Provided with 12' low voltage wire from end
- Consult factory for custom corners & wattages

APPLICATIONS

- Indoor damp or dry locations only
- General illumination for commercial / residential uses
- Pendant light

LAMP

- Average LED Life: 50,000 hours
- cULus listed for damp location
- Low voltage magnetic & electronic power supplies

TAPE SELECTION	LUMENS PER FOOT	WATTS PER FOOT
SMD 2835-30	173	1.75
SMD 2835-60	350	3.5
SMD 2835-182	570	4.57

* The chart above illustrates lumen based on 3000K. Lumen for 2700K is 5% less, 4000K is 5% more and 5000K is 7% more.

Power Supply Low-Voltage DC Driver				
ITEM #	WATTAGE	ELECTRONIC / MAGNETIC	OUTPUT VOLTAGE	INPUT VOLTAGE
36695-010	24W	Electronic (Dimming)	12V	120V
36697-014	48W			
36699-018	60W			
36701-018	96W			
36694-013	24W		24V	
36696-017	48W			
36698-011	60W			
36700-011	96W			
30263-017	40W	Magnetic (Dimming)	24V	120V
30264-014	96W			
30265-011	150W			
30266-018	200W			

ORDERING GUIDE

Item #	Watts Per Foot	Length	Color Temperature	Voltage
36158-010	-1 1.75 watts -3 3.50 watts -5 4.57 watts	-1 1 foot (11.5") -2 2 feet (22.5") -3 3 feet (33.5") -4 4 feet (44.5") -5 5 feet (55.5") -6 6 feet (66.5") -7 7 feet (77.5") -8 8 feet (88.5") -9 9 feet (99.5") -10 10 feet (100.5")	-27 2700K Warm White -30 3000K Neutral White -40 4000K Bright White -50 5000K Cool White	-1 12V -2 24V

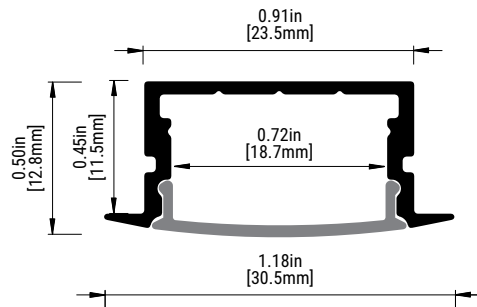
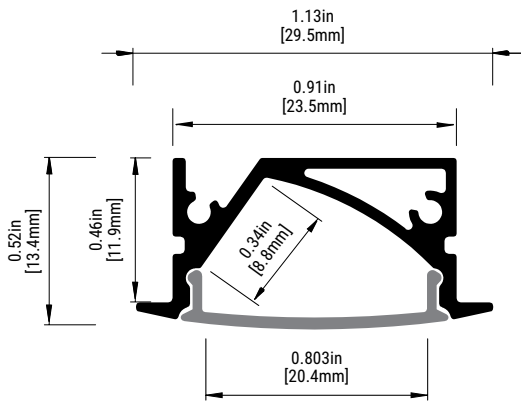
Max 10' per continuous piece

LED RECESSED TRIM

36767-014



36764-013



SPECIFICATIONS

- Aircraft grade extruded aluminum profile
- Opaque PC diffuser helps soften light and prevents hot spots
- Input Voltage: 12V or 24V
- Provided with 12" low voltage wire from end
- Consult factory for custom corners & wattages

APPLICATIONS

- Indoor damp or dry locations only
- General illumination for commercial / residential uses
- Wall or ceiling mount

LAMP


- Average LED Life: 50,000 hours
- cULus listed for damp location
- Low voltage magnetic & electronic power supplies

TAPE SELECTION	LUMENS PER FOOT	WATTS PER FOOT
SMD 2835-30	173	1.75
SMD 2835-60	350	3.5
SMD 2835-182	570	4.57

* The chart above illustrates lumen based on 3000K. Lumen for 2700K is 5% less, 4000K is 5% more and 5000K is 7% more.

Power Supply Low-Voltage DC Driver				
ITEM #	WATTAGE	ELECTRONIC / MAGNETIC	OUTPUT VOLTAGE	INPUT VOLTAGE
36695-010	24W	Electronic (Dimming)	12V	120V
36697-014	48W			
36699-018	60W			
36701-018	96W		24V	
36694-013	24W			
36696-017	48W			
36698-011	60W			
36700-011	96W			
30263-017	40W	Magnetic (Dimming)		
30264-014	96W			
30265-011	150W			
30266-018	200W			

ORDERING GUIDE

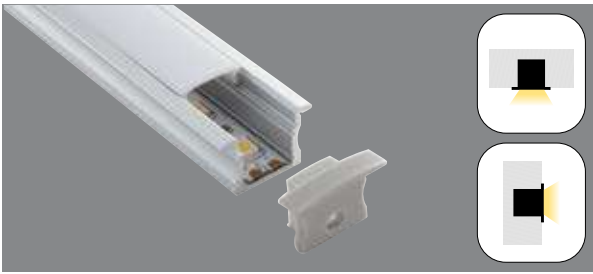
Item #	Watts Per Foot	Length	Color Temperature	Voltage	Mounting Option
36767-014	-	-	-	-	-
36764-013	-1 1.75 watts	-1 1 foot (11.5")	-27 2700K Warm White	-1 12V	-M Pivoting Mounting Clip 
	-3 3.50 watts	-2 2 feet (22.5")	-30 3000K Neutral White	-2 24V	
	-5 4.57 watts	-3 3 feet (33.5")	-40 4000K Bright White		
		-4 4 feet (44.5")	-50 5000K Cool White		
		-5 5 feet (55.5")			
		-6 6 feet (66.5")			
		-7 7 feet (77.5")			
		-8 8 feet (88.5")			
		-9 9 feet (99.5")			
		-10 10 feet (100.5")			

Max 10' per continuous piece

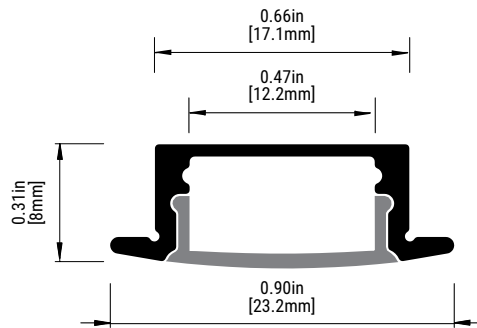
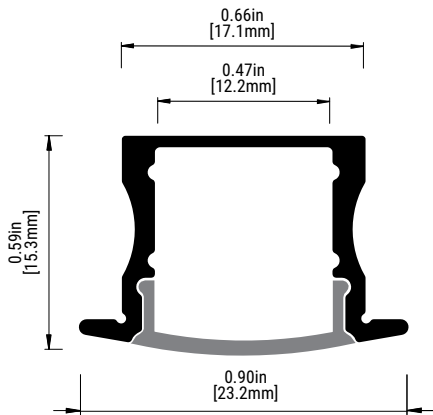


LED RECESSED TRIM

36771-011



36768-011



SPECIFICATIONS

- Aircraft grade extruded aluminum profile
- Opaque PC diffuser helps soften light and prevents hot spots
- Input Voltage: 12V or 24V
- Provided with 12" low voltage wire from end
- Consult factory for custom corners & wattages

APPLICATIONS

- Indoor damp or dry locations only
- General illumination for commercial / residential uses
- Wall or ceiling mount

LAMP

- Average LED Life: 50,000 hours
- cULus listed for damp location
- Low voltage magnetic & electronic power supplies

TAPE SELECTION	LUMENS PER FOOT	WATTS PER FOOT
SMD 2835-30	173	1.75
SMD 2835-60	350	3.5
SMD 2835-182	570	4.57

* The chart above illustrates lumen based on 3000K. Lumen for 2700K is 5% less, 4000K is 5% more and 5000K is 7% more.

Power Supply Low-Voltage DC Driver				
ITEM #	WATTAGE	ELECTRONIC / MAGNETIC	OUTPUT VOLTAGE	INPUT VOLTAGE
36695-010	24W	Electronic (Dimming)	12V	120V
36697-014	48W			
36699-018	60W			
36701-018	96W			
36694-013	24W			
36696-017	48W		24V	
36698-011	60W			
36700-011	96W			
30263-017	40W			
30264-014	96W			
30265-011	150W	Magnetic (Dimming)	24V	120V
30266-018	200W			

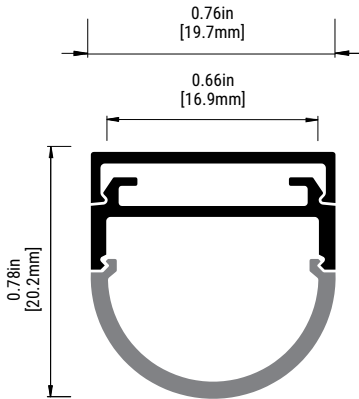
ORDERING GUIDE

Item #	Watts Per Foot	Length	Color Temperature	Voltage
36771-011	-	-	-	-
36768-011	-1 1.75 watts -3 3.50 watts -5 4.57 watts	-1 1 foot (11.5") -2 2 feet (22.5") -3 3 feet (33.5") -4 4 feet (44.5") -5 5 feet (55.5") -6 6 feet (66.5") -7 7 feet (77.5") -8 8 feet (88.5") -9 9 feet (99.5") -10 10 feet (100.5")	-27 2700K Warm White -30 3000K Neutral White -40 4000K Bright White -50 5000K Cool White	-1 12V -2 24V

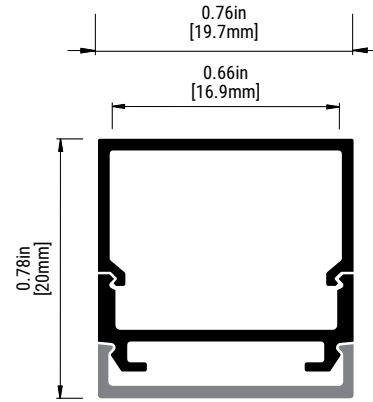
Max 10' per continuous piece

SURFACE MOUNT LED

36761-012



36762-019



SPECIFICATIONS

- Aircraft grade extruded aluminum profile
- Opaque PC diffuser helps soften light and prevents hot spots
- Input Voltage: 12V or 24V
- Provided with 12' low voltage wire from end
- Consult factory for custom corners & wattages

APPLICATIONS

- Indoor damp or dry locations only
- General illumination for commercial / residential uses
- Wall or ceiling mount

LAMP

- Average LED Life: 50,000 hours
- cULus listed for damp location
- Low voltage magnetic & electronic power supplies

TAPE SELECTION	LUMENS PER FOOT	WATTS PER FOOT
SMD 2835-30	173	1.75
SMD 2835-60	350	3.5
SMD 2835-182	570	4.57

* The chart above illustrates lumen based on 3000K. Lumen for 2700K is 5% less, 4000K is 5% more and 5000K is 7% more.

Power Supply Low-Voltage DC Driver				
ITEM #	WATTAGE	ELECTRONIC / MAGNETIC	OUTPUT VOLTAGE	INPUT VOLTAGE
36695-010	24W	Electronic (Dimming)	12V	120V
36697-014	48W			
36699-018	60W			
36701-018	96W		24V	
36694-013	24W			
36696-017	48W			
36698-011	60W			
36700-011	96W			
30263-017	40W	Magnetic (Dimming)		
30264-014	96W			
30265-011	150W			
30266-018	200W			

ORDERING GUIDE

Item #	Watts Per Foot	Length	Color Temperature	Voltage
36761-012	-	-	-	-
36762-019	-1 1.75 watts -3 3.50 watts -5 4.57 watts	-1 1 foot (11.5") -2 2 feet (22.5") -3 3 feet (33.5") -4 4 feet (44.5") -5 5 feet (55.5") -6 6 feet (66.5") -7 7 feet (77.5") -8 8 feet (88.5") -9 9 feet (99.5") -10 10 feet (100.5")	-27 2700K Warm White -30 3000K Neutral White -40 4000K Bright White -50 5000K Cool White	-1 12V -2 24V

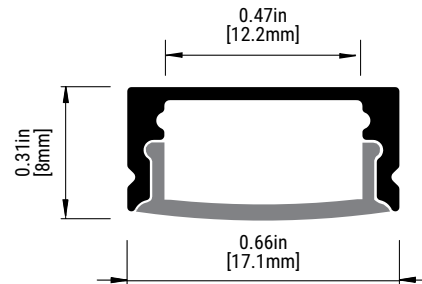
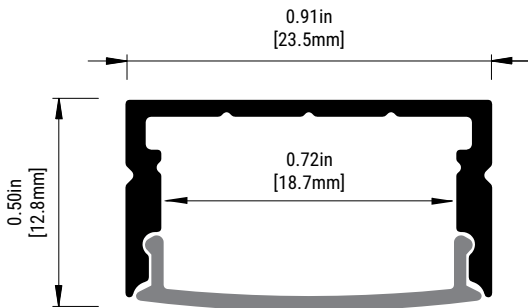
Max 10' per continuous piece

LED SURFACE MOUNT

36765-010



36769-018



SPECIFICATIONS

- Aircraft grade extruded aluminum profile
- Opaque PC diffuser helps soften light and prevents hot spots
- Input Voltage: 12V or 24V
- Provided with 12" low voltage wire from end
- Consult factory for custom corners & wattages

APPLICATIONS

- Indoor damp or dry locations only
- General illumination for commercial / residential uses
- Wall or ceiling mount

LAMP


- Average LED Life: 50,000 hours
- cULus listed for damp location
- Low voltage magnetic & electronic power supplies

TAPE SELECTION	LUMENS PER FOOT	WATTS PER FOOT
SMD 2835-30	173	1.75
SMD 2835-60	350	3.5
SMD 2835-182	570	4.57

* The chart above illustrates lumen based on 3000K. Lumen for 2700K is 5% less, 4000K is 5% more and 5000K is 7% more.

Power Supply Low-Voltage DC Driver				
ITEM #	WATTAGE	ELECTRONIC / MAGNETIC	OUTPUT VOLTAGE	INPUT VOLTAGE
36695-010	24W	Electronic (Dimming)	12V	120V
36697-014	48W			
36699-018	60W			
36701-018	96W		24V	
36694-013	24W			
36696-017	48W			
36698-011	60W			
36700-011	96W			
30263-017	40W	Magnetic (Dimming)		
30264-014	96W			
30265-011	150W			
30266-018	200W			

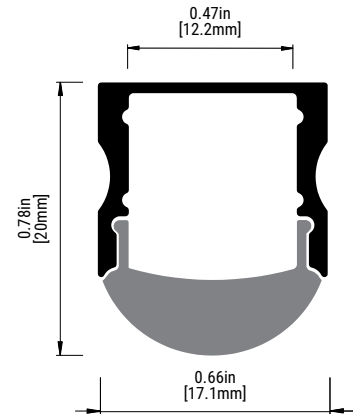
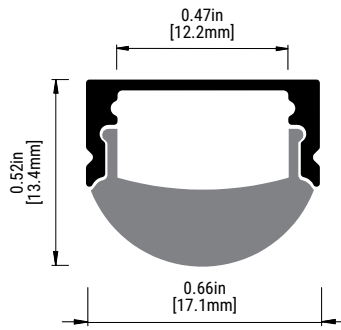
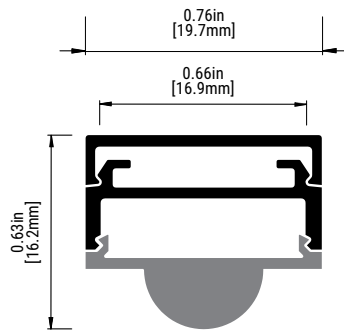
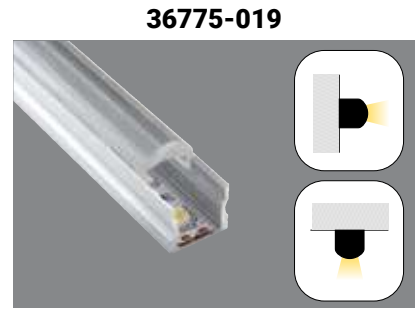
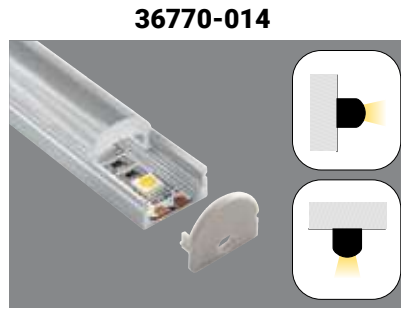
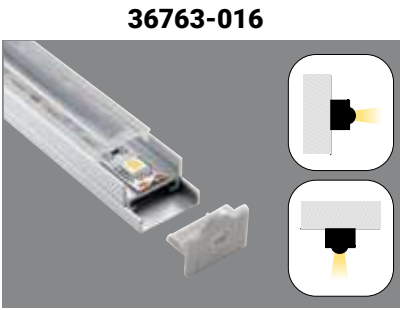
ORDERING GUIDE

Item #	Watts Per Foot	Length	Color Temperature	Voltage	Mounting Option
36765-010	-	-	-	-	-
36769-018	-1 1.75 watts -3 3.50 watts -5 4.57 watts	-1 1 foot (11.5") -2 2 feet (22.5") -3 3 feet (33.5") -4 4 feet (44.5") -5 5 feet (55.5") -6 6 feet (66.5") -7 7 feet (77.5") -8 8 feet (88.5") -9 9 feet (99.5") -10 10 feet (100.5")	-27 2700K Warm White -30 3000K Neutral White -40 4000K Bright White -50 5000K Cool White	-1 12V -2 24V	-AB Adjustable Bracket 

Max 10' per continuous piece



LED SURFACE MOUNT



SPECIFICATIONS

- Aircraft grade extruded aluminum profile
- Opaque PC diffuser helps soften light and prevents hot spots
- Input Voltage: 12V or 24V
- Provided with 12" low voltage wire from end
- Consult factory for custom corners & wattages

APPLICATIONS

- Indoor damp or dry locations only
- General illumination for commercial / residential uses
- Wall or ceiling mount

LAMP

- Average LED Life: 50,000 hours
- cULus listed for damp location
- Low voltage magnetic & electronic power supplies

TAPE SELECTION	LUMENS PER FOOT	WATTS PER FOOT
SMD 2835-30	173	1.75
SMD 2835-60	350	3.5
SMD 2835-182	570	4.57

* The chart above illustrates lumen based on 3000K. Lumen for 2700K is 5% less, 4000K is 5% more and 5000K is 7% more.

Power Supply Low-Voltage DC Driver				
ITEM #	WATTAGE	ELECTRONIC / MAGNETIC	OUTPUT VOLTAGE	INPUT VOLTAGE
36695-010	24W	Electronic (Dimming)	12V	120V
36697-014	48W			
36699-018	60W			
36701-018	96W		24V	
36694-013	24W			
36696-017	48W			
36698-011	60W			
36700-011	96W			
30263-017	40W	Magnetic (Dimming)		
30264-014	96W			
30265-011	150W			
30266-018	200W			

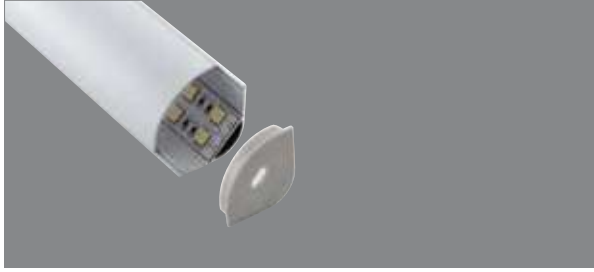
ORDERING GUIDE

Item #	Watts Per Foot	Length	Color Temperature	Voltage
36763-016	-	-	-	-
36770-014	-1 1.75 watts -3 3.50 watts -5 4.57 watts	-1 1 foot (11.5") -2 2 feet (22.5") -3 3 feet (33.5") -4 4 feet (44.5") -5 5 feet (55.5") -6 6 feet (66.5") -7 7 feet (77.5") -8 8 feet (88.5") -9 9 feet (99.5") -10 10 feet (100.5")	-27 2700K Warm White -30 3000K Neutral White -40 4000K Bright White -50 5000K Cool White	-1 12V -2 24V
36775-019				

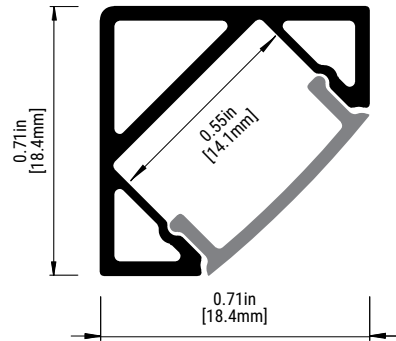
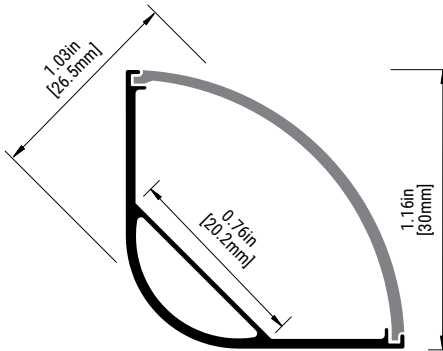
Max 10' per continuous piece

SURFACE MOUNT LED

36766-017



36774-012



SPECIFICATIONS

- Aircraft grade extruded aluminum profile
- Opaque PC diffuser helps soften light and prevents hot spots
- Input Voltage: 12V or 24V
- Provided with 12" low voltage wire from end
- Consult factory for custom corners & wattages

APPLICATIONS

- Indoor damp or dry locations only
- General illumination for commercial / residential uses
- Wall or ceiling mount

LAMP

- Average LED Life: 50,000 hours
- cULus listed for damp location
- Low voltage magnetic & electronic power supplies

TAPE SELECTION	LUMENS PER FOOT	WATTS PER FOOT
SMD 2835-30	173	1.75
SMD 2835-60	350	3.5
SMD 2835-182	570	4.57

* The chart above illustrates lumen based on 3000K. Lumen for 2700K is 5% less, 4000K is 5% more and 5000K is 7% more.

Power Supply Low-Voltage DC Driver				
ITEM #	WATTAGE	ELECTRONIC / MAGNETIC	OUTPUT VOLTAGE	INPUT VOLTAGE
36695-010	24W	Electronic (Dimming)	12V	120V
36697-014	48W			
36699-018	60W			
36701-018	96W		24V	
36694-013	24W			
36696-017	48W			
36698-011	60W			
36700-011	96W	Magnetic (Dimming)		
30263-017	40W			
30264-014	96W			
30265-011	150W			
30266-018	200W			

ORDERING GUIDE

Item #	Watts Per Foot	Length	Color Temperature	Voltage
36766-017	-	-	-	-
36774-012	-1 1.75 watts -3 3.50 watts -5 4.57 watts	-1 1 foot (11.5") -2 2 feet (22.5") -3 3 feet (33.5") -4 4 feet (44.5") -5 5 feet (55.5") -6 6 feet (66.5") -7 7 feet (77.5") -8 8 feet (88.5") -9 9 feet (99.5") -10 10 feet (100.5")	-27 2700K Warm White -30 3000K Neutral White -40 4000K Bright White -50 5000K Cool White	-1 12V -2 24V

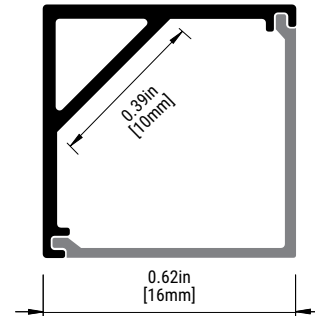
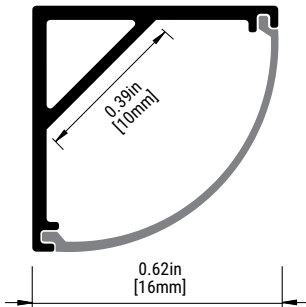
Max 10' per continuous piece

LED SURFACE MOUNT

36773-015



36772-018



SPECIFICATIONS

- Aircraft grade extruded aluminum profile
- Opaque PC diffuser helps soften light and prevents hot spots
- Input Voltage: 12V or 24V
- Provided with 12" low voltage wire from end
- Consult factory for custom corners & wattages

APPLICATIONS

- Indoor damp or dry locations only
- General illumination for commercial / residential uses
- Wall or ceiling mount

LAMP

- Average LED Life: 50,000 hours
- cULus listed for damp location
- Low voltage magnetic & electronic power supplies

TAPE SELECTION	LUMENS PER FOOT	WATTS PER FOOT
SMD 2835-30	173	1.75
SMD 2835-60	350	3.5
SMD 2835-182	570	4.57

* The chart above illustrates lumen based on 3000K. Lumen for 2700K is 5% less, 4000K is 5% more and 5000K is 7% more.

Power Supply Low-Voltage DC Driver				
ITEM #	WATTAGE	ELECTRONIC / MAGNETIC	OUTPUT VOLTAGE	INPUT VOLTAGE
36695-010	24W	Electronic (Dimming)	12V	120V
36697-014	48W			
36699-018	60W			
36701-018	96W		24V	
36694-013	24W			
36696-017	48W			
36698-011	60W			
36700-011	96W			
30263-017	40W	Magnetic (Dimming)		
30264-014	96W			
30265-011	150W			
30266-018	200W			

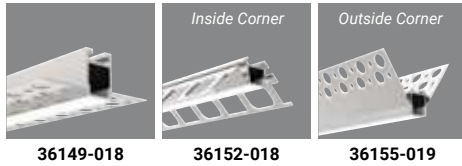
ORDERING GUIDE

Item #	Watts Per Foot	Length	Color Temperature	Voltage
36773-015	-	-	-	-
36772-018	-1 1.75 watts -3 3.50 watts -5 4.57 watts	-1 1 foot (11.5") -2 2 feet (22.5") -3 3 feet (33.5") -4 4 feet (44.5") -5 5 feet (55.5") -6 6 feet (66.5") -7 7 feet (77.5") -8 8 feet (88.5") -9 9 feet (99.5") -10 10 feet (100.5")	-27 2700K Warm White -30 3000K Neutral White -40 4000K Bright White -50 5000K Cool White	-1 12V -2 24V

Max 10' per continuous piece

ORDERING GUIDE

RECESSED TRIMLESS



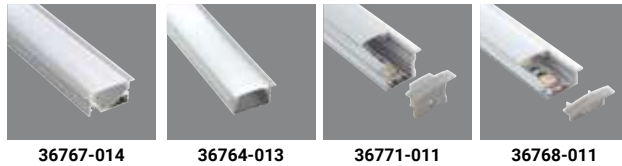
WALL MOUNT



PENDANT MOUNT



RECESSED TRIM



SURFACE MOUNT



	RUN	EXTRUSION	WATTS	COLOR TEMP	LENGTH	DEAD END	12" WIRE LEAD	VOLTAGE
		#	per ft.		(Inches)	✓ x	✓ x	12 or 24
1								
2								
3								
4								
5								
6								
7								

*** Max Link 20ft. for 12V and 30ft. for 24V

Power Supplies: _____

Item Code: _____ Quantity: _____

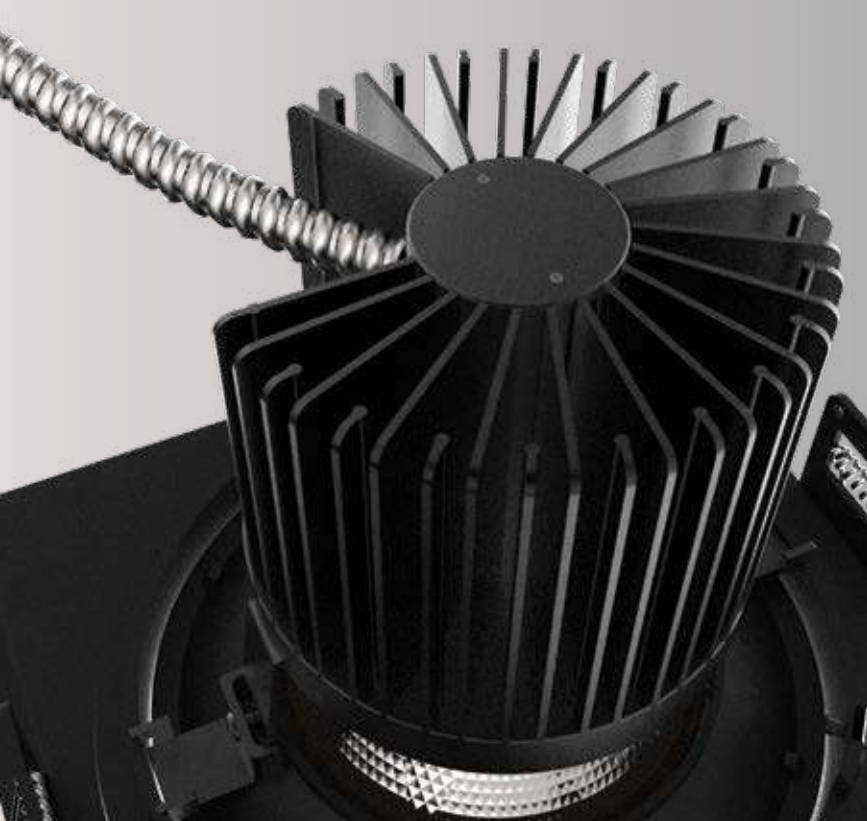
MINI PROFILES

WIRING

All our Mini Profile Collection comes with a 12" Low voltage wire lead









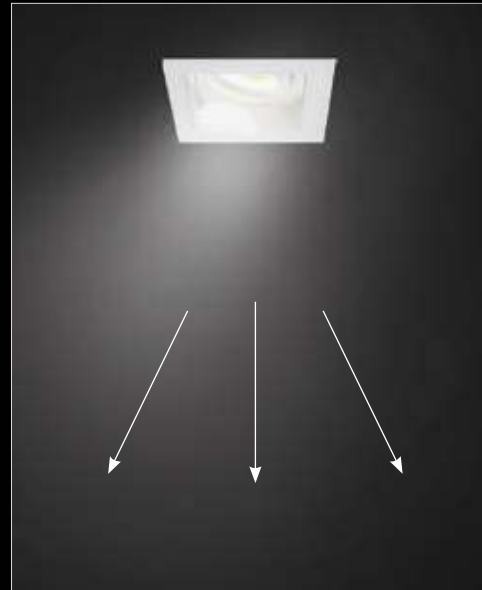
RECESSED MULTIPLES & DOWNLIGHTS

Energy efficient hidden light sources for discreet illumination for all spaces. Designed for both commercial and residential applications, our recessed lighting provides essential directional lighting with a contemporary flare. With LED technologies constantly evolving, our new recessed collections emphasize these solutions.

AMIGO 15W **LED**



Downlight



Gimbal
Tilt: 30°

TRIM

DOWNLIGHT	GIMBAL
<p>28721</p>  <p>PG 119</p>	<p>28722</p>  <p>PG 120</p>
<p>28719</p>  <p>PG 121</p>	<p>28720</p>  <p>PG 122</p>
<p>31765</p>  <p>PG 123</p>	<p>31763</p>  <p>PG 124</p>
<p>31766</p>  <p>PG 125</p>	<p>31764</p>  <p>PG 126</p>

TRIMLESS

DOWNLIGHT	GIMBAL
<p>28717</p>  <p>PG 127</p>	<p>28718</p>  <p>PG 128</p>
<p>28715</p>  <p>PG 129</p>	<p>28716</p>  <p>PG 130</p>
<p>36024</p>  <p>PG 131</p>	<p>36025</p>  <p>PG 132</p>
<p>36026</p>  <p>PG 133</p>	<p>36027</p>  <p>PG 134</p>

AMIGO 15W DOWNLIGHT

28721



LAMPING

- 1 x 15W Integrated LED TRIAC Dimming. For 0-10V and alternate dimming options consult Eurofase.
- **Beam angle:** 40°
- **Kelvin:** 3000K/3500K
- **Lumen per head:** 1290lm
- **CRI:** 90+

ELECTRICAL

- Class 2 dimmable constant current driver (included)
- Driver box mates to fixture by 12" flexible BX cable
- Thermally protected
- **Input voltage:** 120V
For 277V and 347V input options consult Eurofase

HOUSING

- 18 gauge powder coated steel housing
- Remodel housing complete with adjustable mounting clips suitable for 1/2" and 5/8" drywall
- New construction plate, insulated ceiling box and airtight IC box sold separately (refer to housing options)*

DIMENSIONS

- **Cut hole:** 3 1/4"L x 3 1/4"W
- **Fixture:** 3 7/8"L x 3 7/8"W x 4 1/8"H

PHOTOMETRICS

- See pg 135

CUSTOMIZATION

- For customization, please consult Eurofase

ORDERING GUIDE

MODEL	KELVIN	FINISH
28721	-30 3000K	-025 Black
	-35 3500K	-017 White

EXAMPLE: 28721-30-025

SPECIFICATIONS

LED	WATTS	LUMENS	KELVIN	DIMMABLE	CRI	BEAM ANGLE
	15W	1290lm	3000K / 3500K	TRIAC	90+	40°



FINISHES

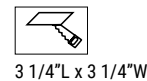
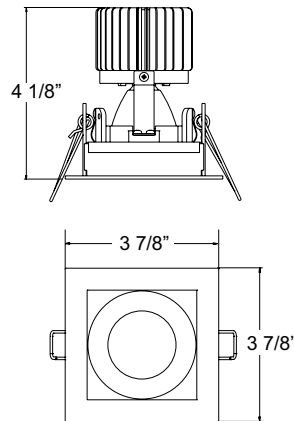


-025 Black



-017 White

PRODUCT DIMENSIONS



***HOUSING OPTIONS (SOLD SEPARATELY):** *Refer to page 235 for housing specification*

30535-015 NEW CONSTRUCTION PLATE



Dimension 11"L x 9"W x 1 3/8"H
Cut Hole 3 1/4"L x 3 1/4"W

30531-021 AIRTIGHT IC BOX
30531-017 INSULATED CEILING BOX



Dimension 11"L x 9"W x 9 1/2"H
Cut Hole 3 1/4"L x 3 1/4"W

AMIGO 15W GIMBAL

28722



LAMPING

- 1 x 15W Integrated LED TRIAC Dimming. For 0-10V and alternate dimming options consult Eurofase.
- **Beam angle:** 40°
- **Kelvin:** 3000K/3500K
- **Lumen per head:** 1290lm
- **CRI:** 90+

ELECTRICAL

- Class 2 dimmable constant current driver (included)
- Driver box mates to fixture by 12" flexible BX cable
- Thermally protected
- **Input voltage:** 120V
For 277V and 347V input options consult Eurofase

HOUSING

- 18 gauge powder coated steel housing
- Remodel housing complete with adjustable mounting clips suitable for 1/2" and 5/8" drywall
- New construction plate, insulated ceiling box and airtight IC box sold separately (refer to housing options)*

GIMBAL

- Adjustable direction suits different application requirements
- **Tilt:** 30°

DIMENSIONS

- **Cut hole:** 3 1/4"L x 3 1/4"W
- **Fixture:** 3 7/8"L x 3 7/8"W x 4 1/8"H

PHOTOMETRICS

- See pg 135

CUSTOMIZATION

- For customization, please consult Eurofase

ORDERING GUIDE

MODEL	KELVIN	FINISH
28722	-30 3000K	-021 Black
	-35 3500K	-014 White

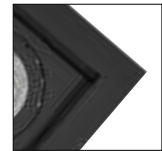
EXAMPLE: 28722-30-021

SPECIFICATIONS

LED	WATTS	LUMENS	KELVIN	DIMMABLE	CRI	BEAM ANGLE	TILT
	15W	1290lm	3000K / 3500K	TRIAC	90+	40°	30°



FINISHES

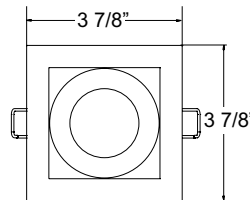
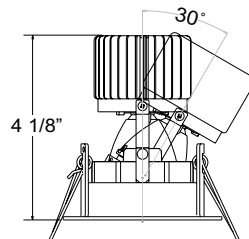


-021 Black



-014 White

PRODUCT DIMENSIONS



3 1/4"L x 3 1/4"W

***HOUSING OPTIONS (SOLD SEPARATELY):**

Refer to page 235 for housing specification

30535-015 NEW CONSTRUCTION PLATE



Dimension 11"L x 9"W x 1 3/8"H
Cut Hole 3 1/4"L x 3 1/4"W

30531-021 AIRTIGHT IC BOX
30531-017 INSULATED CEILING BOX



Dimension 11"L x 9"W x 9 1/2"H
Cut Hole 3 1/4"L x 3 1/4"W

AMIGO 15W DOWNLIGHT

28719



LAMPING

- 1 x 15W Integrated LED TRIAC Dimming. For 0-10V and alternate dimming options consult Eurofase.
- **Beam angle:** 40°
- **Kelvin:** 3000K/3500K
- **Lumen per head:** 1290lm
- **CRI:** 90+

ELECTRICAL

- Class 2 dimmable constant current driver (included)
- Driver box mates to fixture by 12" flexible BX cable
- Thermally protected
- **Input voltage:** 120V
For 277V and 347V input options consult Eurofase

HOUSING

- 18 gauge powder coated steel housing
- Remodel housing complete with adjustable mounting clips suitable for 1/2" and 5/8" drywall
- New construction plate, insulated ceiling box and airtight IC box sold separately (refer to housing options)*

DIMENSIONS

- **Cut hole:** $\phi 3 \frac{1}{4}$ "
- **Fixture:** $\phi 3 \frac{7}{8}$ " x 4 1/8"H

PHOTOMETRICS

- See pg 135

CUSTOMIZATION

- For customization, please consult Eurofase

ORDERING GUIDE

MODEL	KELVIN	FINISH
28719	-30 3000K	-028 Black
	-35 3500K	-014 White

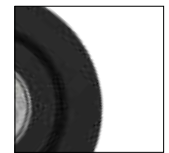
EXAMPLE: 28719-30-028

SPECIFICATIONS

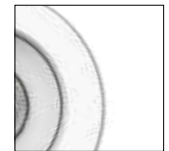
LED	WATTS	LUMENS	KELVIN	DIMMABLE	CRI	BEAM ANGLE
	15W	1290lm	3000K / 3500K	TRIAC	90+	40°



FINISHES

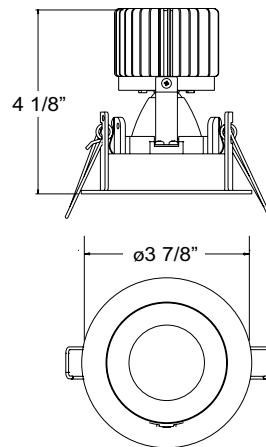


-028 Black



-014 White

PRODUCT DIMENSIONS



***HOUSING OPTIONS (SOLD SEPARATELY):** *Refer to page 235 for housing specification*

30534-018 NEW CONSTRUCTION PLATE



Dimension 11"L x 9"W x 1 3/8"H
Cut Hole $\phi 3 \frac{1}{4}$ "

30530-026 AIRTIGHT IC BOX
30530-010 INSULATED CEILING BOX



Dimension 11"L x 9"W x 9 1/2"H
Cut Hole $\phi 3 \frac{1}{4}$ "

AMIGO 15W GIMBAL

28720



LAMPING

- 1 x 15W Integrated LED TRIAC Dimming. For 0-10V and alternate dimming options consult Eurofase.
- **Beam angle:** 40°
- **Kelvin:** 3000K/3500K
- **Lumen per head:** 1290lm
- **CRI:** 90+

ELECTRICAL

- Class 2 dimmable constant current driver (included)
- Driver box mates to fixture by 12" flexible BX cable
- Thermally protected
- **Input voltage:** 120V
For 277V and 347V input options consult Eurofase

HOUSING

- 18 gauge powder coated steel housing
- Remodel housing complete with adjustable mounting clips suitable for 1/2" and 5/8" drywall
- New construction plate, insulated ceiling box and airtight IC box sold separately (refer to housing options)*

GIMBAL

- Adjustable direction suits different application requirements
- **Tilt:** 30°

DIMENSIONS

- **Cut hole:** $\phi 3 \frac{1}{4}$ "
- **Fixture:** $\phi 3 \frac{7}{8}$ " x 4 1/8"H

PHOTOMETRICS

- See pg 135

CUSTOMIZATION

- For customization, please consult Eurofase

ORDERING GUIDE

MODEL	KELVIN	FINISH
28720	-30 3000K	-021 Black
	-35 3500K	-010 White

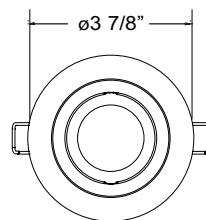
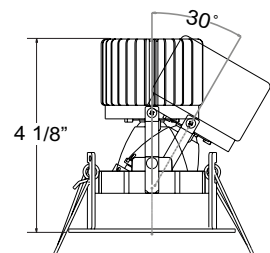
EXAMPLE: 28720-30-021

SPECIFICATIONS

LED	WATTS	LUMENS	KELVIN	DIMMABLE	CRI	BEAM ANGLE	TILT
	15W	1290lm	3000K/ 3500K	TRIAC	90+	40°	30°



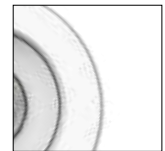
PRODUCT DIMENSIONS



FINISHES



-021 Black



-010 White

***HOUSING OPTIONS (SOLD SEPARATELY):**

Refer to page 235 for housing specification

30534-018 NEW CONSTRUCTION PLATE



Dimension 11"L x 9"W x 1 3/8"H
Cut Hole $\phi 3 \frac{1}{4}$ "

30530-026 AIRTIGHT IC BOX
30530-010 INSULATED CEILING BOX



Dimension 11"L x 9"W x 9 1/2"H
Cut Hole $\phi 3 \frac{1}{4}$ "

AMIGO 15W DOWNLIGHT

31765



LAMPING

- 2 x 15W Integrated LED TRIAC Dimming. For 0-10V and alternate dimming options consult Eurofase.
- **Beam angle:** 40°
- **Kelvin:** 3000K/3500K
- **Lumen per head:** 1290lm
- **Total Lumens:** 2580lm
- **CRI:** 90+

ELECTRICAL

- Class 2 dimmable constant current driver (included)
- Driver box mates to fixture by 12" flexible BX cable
- Thermally protected
- **Input voltage:** 120V
For 277V and 347V input options consult Eurofase

HOUSING

- 18 gauge powder coated steel housing
- Remodel housing complete with adjustable mounting clips suitable for 1/2" and 5/8" drywall
- New construction plate, insulated ceiling box and airtight IC box sold separately (refer to housing options)*

DIMENSIONS

- **Cut hole:** 6 13/16"L x 3 3/8"W
- **Fixture:** 7 5/16"L x 3 7/8"W x 4 1/8"H

PHOTOMETRICS

- See pg 135

CUSTOMIZATION

- For customization, please consult Eurofase

ORDERING GUIDE

MODEL	KELVIN	FINISH
31765	-30 3000K	-028 Black
	-35 3500K	-015 White

EXAMPLE: 31765-30-028

SPECIFICATIONS

LED	WATTS	TOTAL LUMENS	KELVIN	DIMMABLE	CRI	BEAM ANGLE
	15W	2580lm	3000K / 3500K	TRIAC	90+	40°



Driver Box included

FINISHES

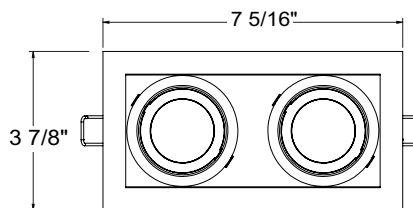
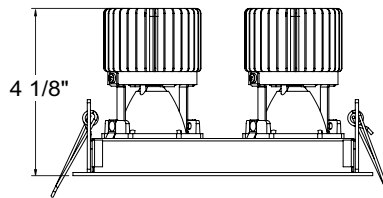


-028 Black



-015 White

PRODUCT DIMENSIONS



6 13/16"L x 3 3/8"W

***HOUSING OPTIONS (SOLD SEPARATELY):** *Refer to page 235 for housing specification*

31877-015 NEW CONSTRUCTION PLATE



Dimension 17"L x 12 3/4"W x 1 3/8"H
Cut Hole 6 13/16"L x 3 3/8"W

31879-023 AIRTIGHT IC BOX
31879-019 INSULATED CEILING BOX



Dimension 17"L x 12 3/4"W x 11 1/2"H
Cut Hole 6 13/16"L x 3 3/8"W

AMIGO 15W GIMBAL

31763



LAMPING

- 2 x 15W Integrated LED TRIAC Dimming. For 0-10V and alternate dimming options consult Eurofase.
- **Beam angle:** 40°
- **Kelvin:** 3000K/3500K
- **Lumen per head:** 1290lm
- **Total Lumens:** 2580lm
- **CRI:** 90+

ELECTRICAL

- Class 2 dimmable constant current driver (included)
- Driver box mates to fixture by 12" flexible BX cable
- Thermally protected
- **Input voltage:** 120V
- For 277V and 347V input options consult Eurofase

HOUSING

- 18 gauge powder coated steel housing
- Remodel housing complete with adjustable mounting clips suitable for 1/2" and 5/8" drywall
- New construction plate, insulated ceiling box and airtight IC box sold separately (refer to housing options)*

GIMBAL

- Adjustable direction suits different application requirements
- **Tilt:** 30°

DIMENSIONS

- **Cut hole:** 6 13/16"L x 3 3/8"W
- **Fixture:** 7 5/16"L x 3 7/8"W x 4 1/8"H

PHOTOMETRICS

- See pg 135

CUSTOMIZATION

- For customization, please consult Eurofase

ORDERING GUIDE

MODEL	KELVIN	FINISH
31763	-30 3000K	-023 Black
	-35 3500K	-011 White

EXAMPLE: 31763-30-023

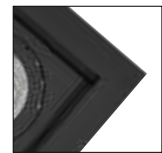
SPECIFICATIONS

LED	WATTS	TOTAL LUMENS	KELVIN	DIMMABLE	CRI	BEAM ANGLE	TILT
	15W	2580lm	3000K / 3500K	TRIAC	90+	40°	30°



Driver Box included

FINISHES

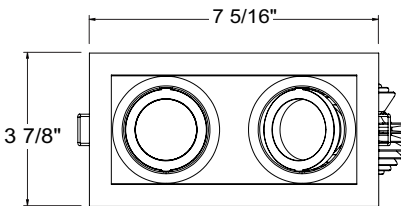
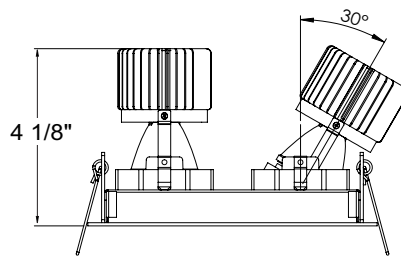


-023 Black



-011 White

PRODUCT DIMENSIONS



6 13/16"L x 3 3/8"W

*HOUSING OPTIONS (SOLD SEPARATELY):

Refer to page 235 for housing specification

31877-015 NEW CONSTRUCTION PLATE



Dimension 17"L x 12 3/4"W x 1 3/8"H
Cut Hole 6 13/16"L x 3 3/8"W

31879-023 AIRTIGHT IC BOX
31879-019 INSULATED CEILING BOX



Dimension 17"L x 12 3/4"W x 11 1/2"H
Cut Hole 6 13/16"L x 3 3/8"W

AMIGO 15W DOWNLIGHT

31766



LAMPING

- 3 x 15W Integrated LED TRIAC Dimming. For 0-10V and alternate dimming options consult Eurofase.
- **Beam angle:** 40°
- **Kelvin:** 3000K/3500K
- **Lumen per head:** 1290lm
- **Total Lumens:** 3870lm
- **CRI:** 90+

ELECTRICAL

- Class 2 dimmable constant current driver (included)
- Driver box mates to fixture by 12" flexible BX cable
- Thermally protected
- **Input voltage:** 120V
For 277V and 347V input options consult Eurofase

HOUSING

- 18 gauge powder coated steel housing
- Remodel housing complete with adjustable mounting clips suitable for 1/2" and 5/8" drywall
- New construction plate, insulated ceiling box and airtight IC box sold separately (refer to housing options)*

DIMENSIONS

- **Cut hole:** 10 1/4"L x 3 3/8"W
- **Fixture:** 10 3/4"L x 3 7/8"W x 4 1/8"H

PHOTOMETRICS

- See pg 136

CUSTOMIZATION

- For customization, please consult Eurofase

ORDERING GUIDE

MODEL	KELVIN	FINISH
31766	-30 3000K	-024 Black
	-35 3500K	-012 White

EXAMPLE: 31766-30-024

SPECIFICATIONS

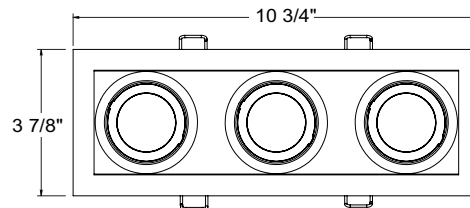
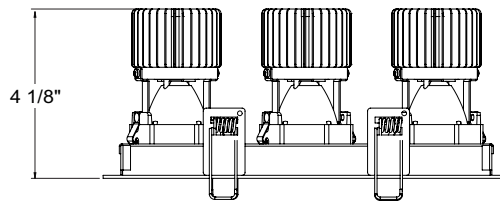
LED	WATTS	TOTAL LUMENS	KELVIN	DIMMABLE	CRI	BEAM ANGLE
	15W	3870lm	3000K / 3500K	TRIAC	90+	40°



FINISHES



PRODUCT DIMENSIONS



10 1/4"L x 3 3/8"W

***HOUSING OPTIONS (SOLD SEPARATELY):** *Refer to page 235 for housing specification*

31878-012 NEW CONSTRUCTION PLATE



Dimension 25"L x 12"W x 1 3/8"H
Cut Hole 10 1/4"L x 3 3/8"W

31880-026 AIRTIGHT IC BOX
31880-015 INSULATED CEILING BOX



Dimension 25"L x 12"W x 11 1/2"H
Cut Hole 10 1/4"L x 3 3/8"W

AMIGO 15W GIMBAL

31764



LAMPING

- 3 x 15W Integrated LED TRIAC Dimming. For 0-10V and alternate dimming options consult Eurofase.
- **Beam angle:** 40°
- **Kelvin:** 3000K/3500K
- **Lumen per head:** 1290lm
- **Total Lumens:** 3870lm
- **CRI:** 90+

ELECTRICAL

- Class 2 dimmable constant current driver (included)
- Driver box mates to fixture by 12" flexible BX cable
- Thermally protected
- **Input voltage:** 120V
For 277V and 347V input options consult Eurofase

HOUSING

- 18 gauge powder coated steel housing
- Remodel housing complete with adjustable mounting clips suitable for 1/2" and 5/8" drywall
- New construction plate, insulated ceiling box and airtight IC box sold separately (refer to housing options)*

GIMBAL

- Adjustable direction suits different application requirements
- **Tilt:** 30°

DIMENSIONS

- **Cut hole:** 10 1/4"L x 3 3/8"W
- **Fixture:** 10 3/4"L x 3 7/8"W x 4 1/8"H

PHOTOMETRICS

- See pg 136

CUSTOMIZATION

- For customization, please consult Eurofase

ORDERING GUIDE

MODEL	KELVIN	FINISH
31764	-30 3000K	-022 Black
	-35 3500K	-018 White

EXAMPLE: 31764-30-022

SPECIFICATIONS

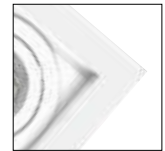
LED	WATTS	TOTAL LUMENS	KELVIN	DIMMABLE	CRI	BEAM ANGLE	TILT
	15W	3870lm	3000K/ 3500K	TRIAC	90+	40°	30°



FINISHES

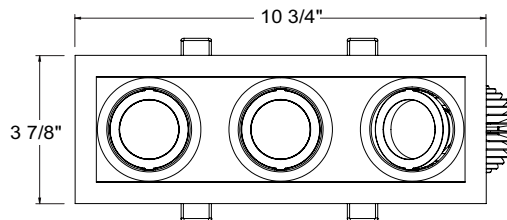
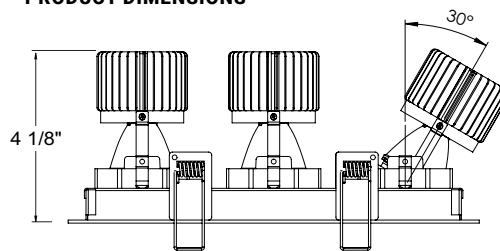


-022 Black



-018 White

PRODUCT DIMENSIONS



10 1/4"L x 3 3/8"W

*HOUSING OPTIONS (SOLD SEPARATELY):

Refer to page 235 for housing specification

31878-012 NEW CONSTRUCTION PLATE



Dimension 25"L x 12"W x 1 3/8"H
Cut Hole 10 1/4"L x 3 3/8"W

31880-026 AIRTIGHT IC BOX
31880-015 INSULATED CEILING BOX



Dimension 25"L x 12"W x 11 1/2"H
Cut Hole 10 1/4"L x 3 3/8"W

AMIGO 15W TRIMLESS DOWNLIGHT

28717



LAMPING

- 1 x 15W Integrated LED TRIAC Dimming. For 0-10V and alternate dimming options consult Eurofase.
- **Beam angle:** 40°
- **Kelvin:** 3000K/3500K
- **Lumen per head:** 1290lm
- **CRI:** 90+

ELECTRICAL

- Class 2 dimmable constant current driver (included)
- Driver box mates to fixture by 12" flexible BX cable
- Thermally protected
- **Input voltage:** 120V
For 277V and 347V input options consult Eurofase

HOUSING

- 18 gauge powder coated steel housing
- New construction plate, insulated ceiling box and airtight IC box sold separately (refer to housing options)*

MESH PLATE

- Steel mesh plate (included)
- Perforated perimeter allows mud to bond to mounting surface leaving a seamless finish in the ceiling

DIMENSIONS

- **Cut hole:** 3"L x 3"W
- **Fixture:** ø2 3/4" x 4 1/8"H

PHOTOMETRICS

- See pg 135

CUSTOMIZATION

- For customization, please consult Eurofase

ORDERING GUIDE

MODEL	KELVIN	FINISH
28717	-30 3000K	-024 Black
	-35 3500K	-010 White

EXAMPLE: 28717-30-024

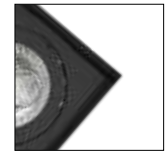
SPECIFICATIONS

LED

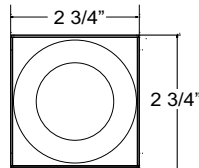
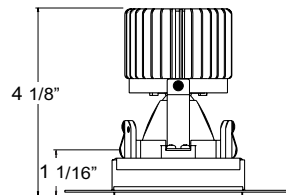
WATTS	LUMENS	KELVIN	DIMMABLE	CRI	BEAM ANGLE
15W	1290lm	3000K / 3500K	TRIAC	90+	40°



FINISHES



PRODUCT DIMENSIONS



***HOUSING OPTIONS (SOLD SEPARATELY):**

Refer to page 235 for housing specification

30536-012 NEW CONSTRUCTION PLATE



Dimension 11"L x 9"W x 1 3/8"H
Cut Hole 3"L x 3"W

30532-023 AIRTIGHT IC BOX
30532-014 INSULATED CEILING BOX



Dimension 11"L x 9"W x 9 1/2"H
Cut Hole 3"L x 3"W

AMIGO 15W TRIMLESS GIMBAL

28718



LAMPING

- 1 x 15W Integrated LED TRIAC Dimming. For 0-10V and alternate dimming options consult Eurofase.
- **Beam angle:** 40°
- **Kelvin:** 3000K/3500K
- **Lumen per head:** 1290lm
- **CRI:** 90+

ELECTRICAL

- Class 2 dimmable constant current driver (included)
- Driver box mates to fixture by 12" flexible BX cable
- Thermally protected
- **Input voltage:** 120V
For 277V and 347V input options consult Eurofase

HOUSING

- 18 gauge powder coated steel housing
- New construction plate, insulated ceiling box and airtight IC box sold separately (refer to housing options)*

GIMBAL

- Adjustable direction suits different application requirements
- **Tilt:** 30°

MESH PLATE

- Steel mesh plate (included)
- Perforated perimeter allows mud to bond to mounting surface leaving a seamless finish in the ceiling

DIMENSIONS

- **Cut hole:** 3"L x 3"W
- **Fixture:** ø2 3/4" x 4 1/8"H

PHOTOMETRICS

- See pg 135

CUSTOMIZATION

- For customization, please consult Eurofase

SPECIFICATIONS

WATTS	LUMENS	KELVIN	DIMMABLE	CRI	BEAM ANGLE	TILT
15W	1290lm	3000K / 3500K	TRIAC	90+	40°	30°



FINISHES

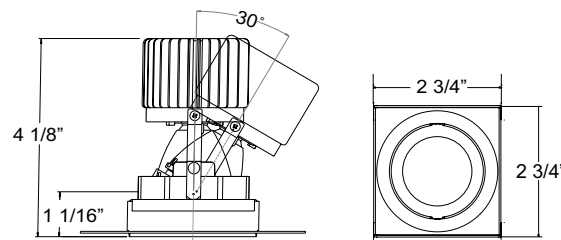


-028 Black



-017 White

PRODUCT DIMENSIONS



ORDERING GUIDE

MODEL	KELVIN	FINISH
28718	-30 3000K	-028 Black
	-35 3500K	-017 White

EXAMPLE: 28718-30-017

***HOUSING OPTIONS (SOLD SEPARATELY):**

Refer to page 235 for housing specification

30536-012 NEW CONSTRUCTION PLATE



Dimension 11"L x 9"W x 1 3/8"H
Cut Hole 3"L x 3"W

30532-023 AIRTIGHT IC BOX
30532-014 INSULATED CEILING BOX



Dimension 11"L x 9"W x 9 1/2"H
Cut Hole 3"L x 3"W

AMIGO 15W TRIMLESS DOWNLIGHT

28715



LAMPING

- 1 x 15W Integrated LED TRIAC Dimming. For 0-10V and alternate dimming options consult Eurofase.
- **Beam angle:** 40°
- **Kelvin:** 3000K/3500K
- **Lumen per head:** 1290lm
- **CRI:** 90+

ELECTRICAL

- Class 2 dimmable constant current driver (included)
- Driver box mates to fixture by 12" flexible BX cable
- Thermally protected
- **Input voltage:** 120V
For 277V and 347V input options consult Eurofase

HOUSING

- 18 gauge powder coated steel housing
- New construction plate, insulated ceiling box and airtight IC box sold separately (refer to housing options)*

MESH PLATE

- Steel mesh plate (included)
- Perforated perimeter allows mud to bond to mounting surface leaving a seamless finish in the ceiling

DIMENSIONS

- **Cut hole:** $\varnothing 3"$
- **Fixture:** $\varnothing 2 \frac{3}{4}" \times 4 \frac{1}{8}" H$

PHOTOMETRICS

- See pg 135

CUSTOMIZATION

- For customization, please consult Eurofase

ORDERING GUIDE

MODEL	KELVIN	FINISH
28715	-30 3000K	-024 Black
	-35 3500K	-016 White

EXAMPLE: 28715-30-024

SPECIFICATIONS

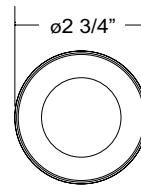
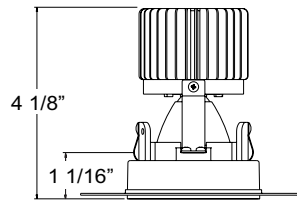
LED	WATTS	LUMENS	KELVIN	DIMMABLE	CRI	BEAM ANGLE
	15W	1290lm	3000K / 3500K	TRIAC	90+	40°



FINISHES



PRODUCT DIMENSIONS



***HOUSING OPTIONS (SOLD SEPARATELY):**

Refer to page 235 for housing specification

30537-019 NEW CONSTRUCTION PLATE



Dimension 11"L x 9"W x 1 3/8"H
Cut Hole $\varnothing 3"$

30533-028 AIRTIGHT IC BOX
30533-011 INSULATED CEILING BOX



Dimension 11"L x 9"W x 9 1/2"H
Cut Hole $\varnothing 3"$

AMIGO 15W TRIMLESS GIMBAL

28716



LAMPING

- 1 x 15W Integrated LED TRIAC Dimming. For 0-10V and alternate dimming options consult Eurofase.
- **Beam angle:** 40°
- **Kelvin:** 3000K/3500K
- **Lumen per head:** 1290lm
- **CRI:** 90+

ELECTRICAL

- Class 2 dimmable constant current driver (included)
- Driver box mates to fixture by 12" flexible BX cable
- Thermally protected
- **Input voltage:** 120V
For 277V and 347V input options consult Eurofase

HOUSING

- 18 gauge powder coated steel housing
- New construction plate, insulated ceiling box and airtight IC box sold separately (refer to housing options)*

GIMBAL

- Adjustable direction suits different application requirements
- **Tilt:** 30°

MESH PLATE

- Steel mesh plate (included)
- Perforated perimeter allows mud to bond to mounting surface leaving a seamless finish in the ceiling

DIMENSIONS

- **Cut hole:** $\varnothing 3"$
- **Fixture:** $\varnothing 2 \frac{3}{4}" \times 4 \frac{1}{8}"$ H

PHOTOMETRICS

- See pg 135

CUSTOMIZATION

- For customization, please consult Eurofase

SPECIFICATIONS

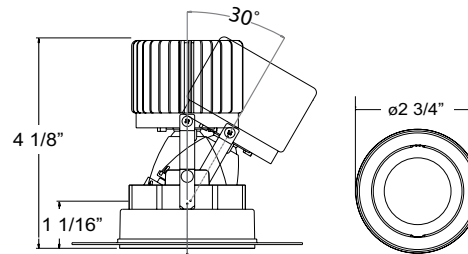
LED	WATTS	LUMENS	KELVIN	DIMMABLE	CRI	BEAM ANGLE	TILT
	15W	1290lm	3000K / 3500K	TRIAC	90+	40°	30°



FINISHES



PRODUCT DIMENSIONS



ORDERING GUIDE

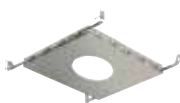
MODEL	KELVIN	FINISH
28716	-30 3000K	-028 Black
	-35 3500K	-013 White

EXAMPLE: 28716-30-028

*HOUSING OPTIONS (SOLD SEPARATELY):

Refer to page 235 for housing specification

30537-019 NEW CONSTRUCTION PLATE



Dimension 11"L x 9"W x 1 3/8"H
Cut Hole $\varnothing 3"$

30533-028 AIRTIGHT IC BOX
30533-011 INSULATED CEILING BOX



Dimension 11"L x 9"W x 9 1/2"H
Cut Hole $\varnothing 3"$

AMIGO 15W TRIMLESS DOWNLIGHT

36024



LAMPING

- 2 x 15W Integrated LED TRIAC Dimming. For 0-10V and alternate dimming options consult Eurofase.
- **Beam angle:** 40°
- **Kelvin:** 3000K/3500K
- **Lumen per head:** 1290lm
- **Total Lumens:** 2580lm
- **CRI:** 90+

ELECTRICAL

- Class 2 dimmable constant current driver (included)
- Driver box mates to fixture by 12" flexible BX cable
- Thermally protected
- **Input voltage:** 120V
For 277V and 347V input options consult Eurofase

HOUSING

- 18 gauge powder coated steel housing
- New construction plate, insulated ceiling box and airtight IC box sold separately (refer to housing options)*

MESH PLATE

- Steel mesh plate (included)
- Perforated perimeter allows mud to bond to mounting surface leaving a seamless finish in the ceiling

DIMENSIONS

- **Cut hole:** 6 1/2"L x 3"W
- **Fixture:** 6 1/4"L x 2 3/4"W x 4 1/8"H

PHOTOMETRICS

- See pg 135

CUSTOMIZATION

- For customization, please consult Eurofase

ORDERING GUIDE

MODEL	KELVIN	FINISH
36024	-30 3000K	-01 Black
	-35 3500K	-02 White

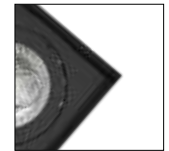
EXAMPLE: 36024-30-01

SPECIFICATIONS

LED	WATTS	TOTAL LUMENS	KELVIN	DIMMABLE	CRI	BEAM ANGLE
	15W	2580lm	3000K / 3500K	TRIAC	90+	40°



FINISHES

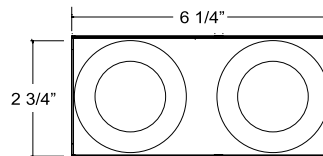
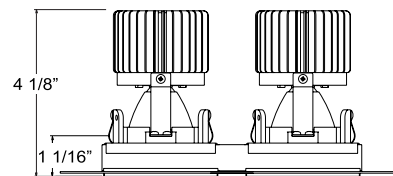


-01 Black



-02 White

PRODUCT DIMENSIONS



6 1/2"L x 3"W

***HOUSING OPTIONS (SOLD SEPARATELY):**

Refer to page 235 for housing specification

36226-016 NEW CONSTRUCTION PLATE

36227-013 AIRTIGHT IC BOX



Dimension 17"L x 12 3/4"W x 1 3/8"H
Cut Hole 6 1/2"L x 3"W



Dimension 17"L x 12 3/4"W x 1 1/2"H
Cut Hole 6 1/2"L x 3"W

AMIGO 15W TRIMLESS GIMBAL

36025



LAMPING

- 2 x 15W Integrated LED TRIAC Dimming. For 0-10V and alternate dimming options consult Eurofase.
- **Beam angle:** 40°
- **Kelvin:** 3000K/3500K
- **Lumen per head:** 1290lm
- **Total Lumens:** 2580lm
- **CRI:** 90+

ELECTRICAL

- Class 2 dimmable constant current driver (included)
- Driver box mates to fixture by 12" flexible BX cable
- Thermally protected
- **Input voltage:** 120V
- For 277V and 347V input options consult Eurofase

HOUSING

- 18 gauge powder coated steel housing
- New construction plate, insulated ceiling box and airtight IC box sold separately (refer to housing options)*

GIMBAL

- Adjustable direction suits different application requirements
- **Tilt:** 30°

MESH PLATE

- Steel mesh plate (included)
- Perforated perimeter allows mud to bond to mounting surface leaving a seamless finish in the ceiling

DIMENSIONS

- **Cut hole:** 6 1/2"L x 3"W
- **Fixture:** 6 1/4"L x 2 3/4"W x 4 1/8"H

PHOTOMETRICS

- See pg 135

CUSTOMIZATION

- For customization, please consult Eurofase

SPECIFICATIONS

WATTS	TOTAL LUMENS	KELVIN	DIMMABLE	CRI	BEAM ANGLE	TILT
15W	2580lm	3000K / 3500K	TRIAC	90+	40°	30°



Driver Box included



Mesh Plate included

FINISHES

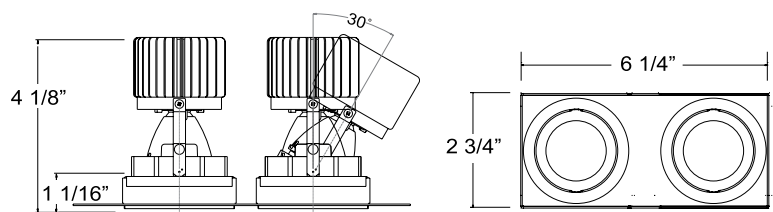


-01 Black



-02 White

PRODUCT DIMENSIONS



ORDERING GUIDE

MODEL	KELVIN	FINISH
36025	-30 3000K	-01 Black
	-35 3500K	-02 White



6 1/2"L x 3"W

EXAMPLE: 36025-30-01

*HOUSING OPTIONS (SOLD SEPARATELY):

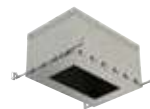
Refer to page 235 for housing specification

36226-016 NEW CONSTRUCTION PLATE

36227-013 AIRTIGHT IC BOX



Dimension 17"L x 12 3/4"W x 1 3/8"H
Cut Hole 6 1/2"L x 3"W



Dimension 17"L x 12 3/4"W x 1 1/2"H
Cut Hole 6 1/2"L x 3"W

AMIGO 15W TRIMLESS DOWNLIGHT

36026



LAMPING

- 3 x 15W Integrated LED TRIAC Dimming. For 0-10V and alternate dimming options consult Eurofase.
- **Beam angle:** 40°
- **Kelvin:** 3000K/3500K
- **Lumen per head:** 1290lm
- **Total Lumens:** 3870lm
- **CRI:** 90+

ELECTRICAL

- Class 2 dimmable constant current driver (included)
- Driver box mates to fixture by 12" flexible BX cable
- Thermally protected
- **Input voltage:** 120V
For 277V and 347V input options consult Eurofase

HOUSING

- 18 gauge powder coated steel housing
- New construction plate, insulated ceiling box and airtight IC box sold separately (refer to housing options)*

MESH PLATE

- Steel mesh plate (included)
- Perforated perimeter allows mud to bond to mounting surface leaving a seamless finish in the ceiling

DIMENSIONS

- **Cut hole:** 10"L x 3"W
- **Fixture:** 9 3/4"L x 2 3/4"W x 4 1/8"H

PHOTOMETRICS

- See pg 136

CUSTOMIZATION

- For customization, please consult Eurofase

ORDERING GUIDE

MODEL	KELVIN	FINISH
36026	-30 3000K	-01 Black
	-35 3500K	-02 White

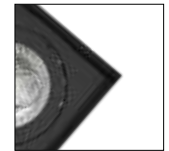
EXAMPLE: 36026-30-01

SPECIFICATIONS

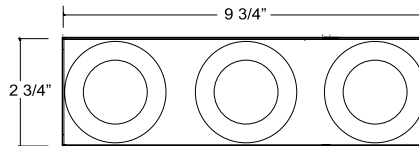
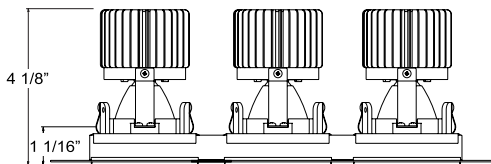
LED	WATTS	TOTAL LUMENS	KELVIN	DIMMABLE	CRI	BEAM ANGLE
	15W	3870lm	3000K / 3500K	TRIAC	90+	40°



FINISHES



PRODUCT DIMENSIONS



10"L x 3"W

***HOUSING OPTIONS (SOLD SEPARATELY):**

Refer to page 235 for housing specification

36229-017 NEW CONSTRUCTION PLATE

36230-013 AIRTIGHT IC BOX



Dimension 25"L x 12"W x 1 3/8"H
Cut Hole 10"L x 3"W



Dimension 25"L x 12"W x 1 1/2"H
Cut Hole 10"L x 3"W

AMIGO 15W TRIMLESS GIMBAL

36027



LAMPING

- 3 x 15W Integrated LED TRIAC Dimming. For 0-10V and alternate dimming options consult Eurofase.
- **Beam angle:** 40°
- **Kelvin:** 3000K/3500K
- **Lumen per head:** 1290lm
- **Total Lumens:** 3870lm
- **CRI:** 90+

ELECTRICAL

- Class 2 dimmable constant current driver (included)
- Driver box mates to fixture by 12" flexible BX cable
- Thermally protected
- **Input voltage:** 120V
For 277V and 347V input options consult Eurofase

HOUSING

- 18 gauge powder coated steel housing
- New construction plate, insulated ceiling box and airtight IC box sold separately (refer to housing options)*

GIMBAL

- Adjustable direction suits different application requirements
- **Tilt:** 30°

MESH PLATE

- Steel mesh plate (included)
- Perforated perimeter allows mud to bond to mounting surface leaving a seamless finish in the ceiling

DIMENSIONS

- **Cut hole:** 10"L x 3"W
- **Fixture:** 9 3/4"L x 2 3/4"W x 4 1/8"H

PHOTOMETRICS

- See pg 136

CUSTOMIZATION

- For customization, please consult Eurofase

SPECIFICATIONS

LED	WATTS	TOTAL LUMENS	KELVIN	DIMMABLE	CRI	BEAM ANGLE	TILT
	15W	3870lm	3000K / 3500K	TRIAC	90+	40°	30°



FINISHES

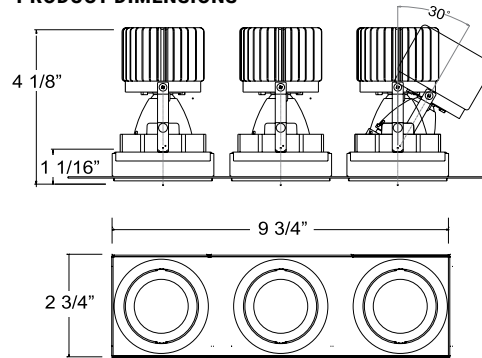


-01 Black



-02 White

PRODUCT DIMENSIONS



ORDERING GUIDE

MODEL	KELVIN	FINISH
36027	-30 3000K	-01 Black
	-35 3500K	-02 White

EXAMPLE: 36027-30-01

***HOUSING OPTIONS (SOLD SEPARATELY):**

Refer to page 235 for housing specification

36229-017 NEW CONSTRUCTION PLATE



Dimension 25"L x 12"W x 1 3/8"H
Cut Hole 10"L x 3"W

36230-013 AIRTIGHT IC BOX

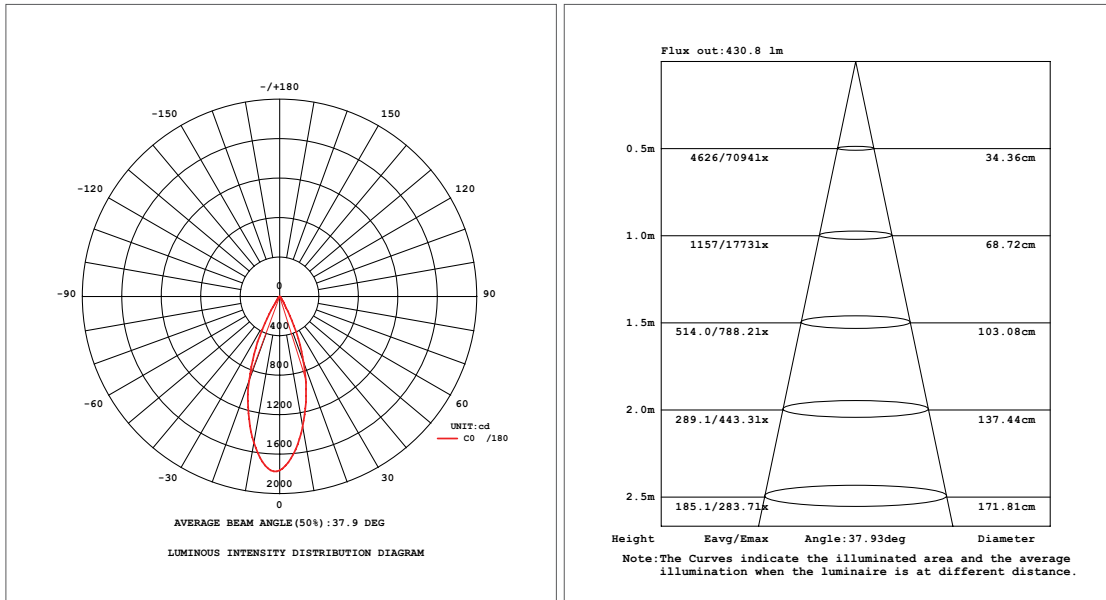


Dimension 25"L x 12"W x 1 1/2"H
Cut Hole 10"L x 3"W

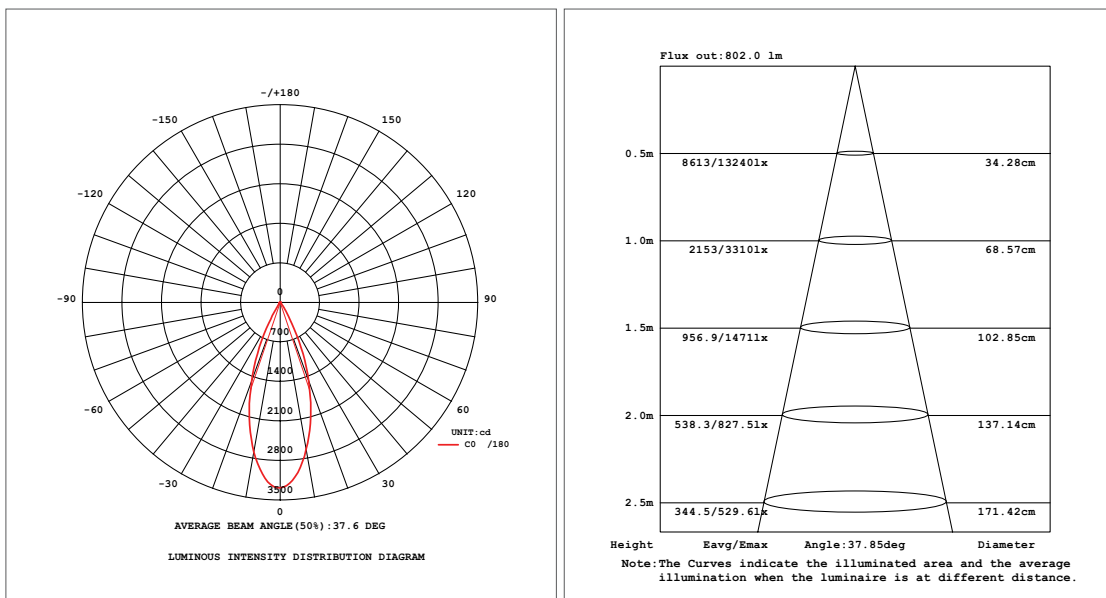
AMIGO 15W PHOTOMETRICS LED



28721 | 28722 | 28719 | 28720 | 28717 | 28718 | 28715 | 28716



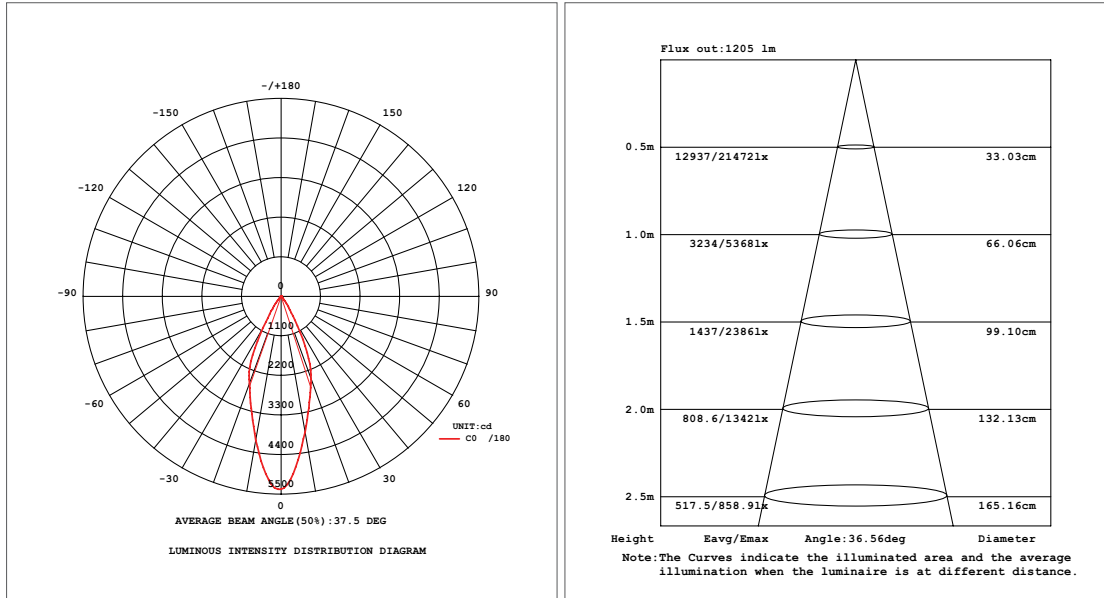
31765 | 31763 | 36024 | 36025



LED AMIGO 15W PHOTOMETRICS



31766 | 31764 | 36026 | 36027



RECESSED MULTIPLES & DOWNLIGHTS

AMIGO 26W LED



TRIM

DOWNLIGHT	GIMBAL
<p>35137</p>  <p>PG 139</p>	<p>35138</p>  <p>PG 140</p>
<p>35141</p>  <p>PG 141</p>	<p>35142</p>  <p>PG 142</p>
<p>35145</p>  <p>PG 143</p>	<p>35146</p>  <p>PG 144</p>
<p>35147</p>  <p>PG 145</p>	<p>35148</p>  <p>PG 146</p>

TRIMLESS

DOWNLIGHT	GIMBAL
<p>35139</p>  <p>PG 147</p>	<p>35140</p>  <p>PG 148</p>
<p>35143</p>  <p>PG 149</p>	<p>35144</p>  <p>PG 150</p>
<p>35355</p>  <p>PG 151</p>	<p>35356</p>  <p>PG 152</p>
<p>35357</p>  <p>PG 153</p>	<p>35358</p>  <p>PG 154</p>

AMIGO 26W DOWNLIGHT

35137



LAMPING

- 1 x 26W Integrated LED TRIAC Dimming. For 0-10V and alternate dimming options consult Eurofase.
- **Beam angle:** 40°
- **Kelvin:** 3000K/3500K
- **Lumen per head:** 2560lm
- **CRI:** 90+

ELECTRICAL

- Class 2 dimmable constant current driver (included)
- Driver box mates to fixture by 12" flexible BX cable
- Thermally protected
- **Input voltage:** 120V
For 277V and 347V input options consult Eurofase

HOUSING

- 18 gauge powder coated steel housing
- Remodel housing complete with adjustable mounting clips suitable for 1/2" and 5/8" drywall
- New construction plate, insulated ceiling box and airtight IC box sold separately (refer to housing options)*

DIMENSIONS

- **Cut hole:** 6 1/4"L x 6 1/4"W
- **Fixture:** 6 3/4"L x 6 3/4"W x 5 1/4"H

PHOTOMETRICS

- See pg 155

CUSTOMIZATION

- For customization, please consult Eurofase

ORDERING GUIDE

MODEL	KELVIN	FINISH
35137	-30 3000K	-01 Black
	-35 3500K	-02 White

EXAMPLE: 35137-30-01

SPECIFICATIONS

LED	WATTS	LUMENS	KELVIN	DIMMABLE	CRI	BEAM ANGLE
	26W	2560lm	3000K / 3500K	TRIAC	90+	40°



FINISHES

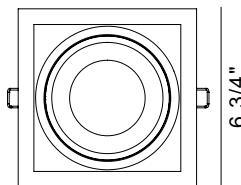
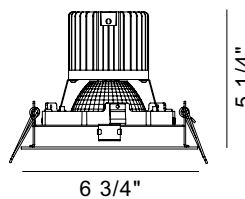


-01 Black



-02 White

PRODUCT DIMENSIONS



6 1/4"L x 6 1/4"W

***HOUSING OPTIONS (SOLD SEPARATELY):** *Refer to page 236 for housing specification*

36255-016 NEW CONSTRUCTION PLATE



Dimension 12 3/4"L x 12 3/4"W x 1 3/8"H
Cut Hole 6 1/4"L x 6 1/4"W

36203-017 AIRTIGHT IC BOX



Dimension 12 3/4"L x 12 3/4"W x 1 1/2"H
Cut Hole 6 1/4"L x 6 1/4"W

AMIGO 26W GIMBAL

35138



LAMPING

- 1 x 26W Integrated LED TRIAC Dimming. For 0-10V and alternate dimming options consult Eurofase.
- **Beam angle:** 40°
- **Kelvin:** 3000K/3500K
- **Lumen per head:** 2560lm
- **CRI:** 90+

ELECTRICAL

- Class 2 dimmable constant current driver (included)
- Driver box mates to fixture by 12" flexible BX cable
- Thermally protected
- **Input voltage:** 120V
For 277V and 347V input options consult Eurofase

HOUSING

- 18 gauge powder coated steel housing
- Remodel housing complete with adjustable mounting clips suitable for 1/2" and 5/8" drywall
- New construction plate, insulated ceiling box and airtight IC box sold separately (refer to housing options)*

GIMBAL

- Adjustable direction suits different application requirements
- **Tilt:** 30°

DIMENSIONS

- **Cut hole:** 6 1/4"L x 6 1/4"W
- **Fixture:** 6 3/4"L x 6 3/4"W x 5 1/4"H

PHOTOMETRICS

- See pg 155

CUSTOMIZATION

- For customization, please consult Eurofase

ORDERING GUIDE

MODEL	KELVIN	FINISH
35138	-30 3000K	-01 Black
	-35 3500K	-02 White

EXAMPLE: 35138-30-01

SPECIFICATIONS

LED	WATTS	LUMENS	KELVIN	DIMMABLE	CRI	BEAM ANGLE	TILT
	26W	2560lm	3000K / 3500K	TRIAC	90+	40°	30°



FINISHES

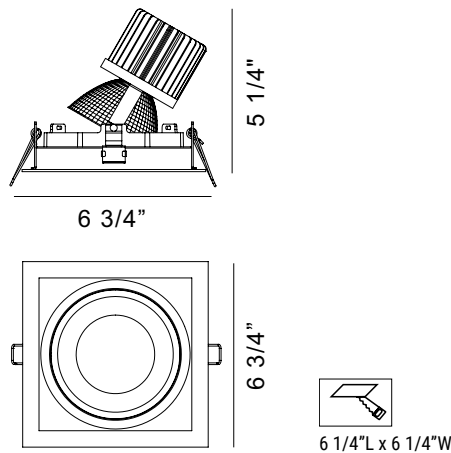


-01 Black



-02 White

PRODUCT DIMENSIONS



*HOUSING OPTIONS (SOLD SEPARATELY):

Refer to page 236 for housing specification

36255-016 NEW CONSTRUCTION PLATE



Dimension 12 3/4"L x 12 3/4"W x 1 3/8"H
Cut Hole 6 1/4"L x 6 1/4"W

36203-017 AIRTIGHT IC BOX



Dimension 12 3/4"L x 12 3/4"W x 11 1/2"H
Cut Hole 6 1/4"L x 6 1/4"W

AMIGO 26W DOWNLIGHT

35141



LAMPING

- 1 x 26W Integrated LED TRIAC Dimming. For 0-10V and alternate dimming options consult Eurofase.
- **Beam angle:** 40°
- **Kelvin:** 3000K/3500K
- **Lumen per head:** 2560lm
- **CRI:** 90+

ELECTRICAL

- Class 2 dimmable constant current driver (included)
- Driver box mates to fixture by 12" flexible BX cable
- Thermally protected
- **Input voltage:** 120V
For 277V and 347V input options consult Eurofase

HOUSING

- 18 gauge powder coated steel housing
- Remodel housing complete with adjustable mounting clips suitable for 1/2" and 5/8" drywall
- New construction plate, insulated ceiling box and airtight IC box sold separately (refer to housing options)*

DIMENSIONS

- **Cut hole:** $\phi 6 \frac{1}{4}$ "
- **Fixture:** $\phi 6 \frac{3}{4}$ " x 5 1/4"H

PHOTOMETRICS

- See pg 155

CUSTOMIZATION

- For customization, please consult Eurofase

ORDERING GUIDE

MODEL	KELVIN	FINISH
35141	-30 3000K	-01 Black
	-35 3500K	-02 White

EXAMPLE: 35141-30-01

SPECIFICATIONS

LED	WATTS	LUMENS	KELVIN	DIMMABLE	CRI	BEAM ANGLE
	26W	2560lm	3000K / 3500K	TRIAC	90+	40°



FINISHES

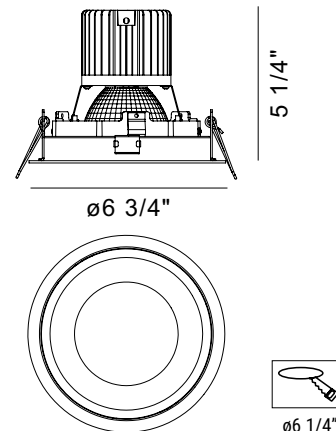


-01 Black



-02 White

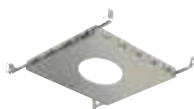
PRODUCT DIMENSIONS



***HOUSING OPTIONS (SOLD SEPARATELY):**

Refer to page 236 for housing specification

36205-011 NEW CONSTRUCTION PLATE



Dimension 12 3/4"L x 12 3/4"W x 1 3/8"H
Cut Hole $\phi 6 \frac{1}{4}$ "

36206-018 AIRTIGHT IC BOX



Dimension 12 3/4"L x 12 3/4"W x 1 1/2"H
Cut Hole $\phi 6 \frac{1}{4}$ "

AMIGO 26W GIMBAL

35142



LAMPING

- 1 x 26W Integrated LED TRIAC Dimming. For 0-10V and alternate dimming options consult Eurofase.
- **Beam angle:** 40°
- **Kelvin:** 3000K/3500K
- **Lumen per head:** 2560lm
- **CRI:** 90+

ELECTRICAL

- Class 2 dimmable constant current driver (included)
- Driver box mates to fixture by 12" flexible BX cable
- Thermally protected
- **Input voltage:** 120V
For 277V and 347V input options consult Eurofase

HOUSING

- 18 gauge powder coated steel housing
- Remodel housing complete with adjustable mounting clips suitable for 1/2" and 5/8" drywall
- New construction plate, insulated ceiling box and airtight IC box sold separately (refer to housing options)*

GIMBAL

- Adjustable direction suits different application requirements
- **Tilt:** 30°

DIMENSIONS

- **Cut hole:** $\phi 6 \frac{1}{4}$ "
- **Fixture:** $\phi 6 \frac{3}{4}$ " x $5 \frac{1}{4}$ "H

PHOTOMETRICS

- See pg 155

CUSTOMIZATION

- For customization, please consult Eurofase

ORDERING GUIDE

MODEL	KELVIN	FINISH
35142	-30 3000K	-01 Black
	-35 3500K	-02 White

EXAMPLE: 35142-30-01

SPECIFICATIONS

LED	WATTS	LUMENS	KELVIN	DIMMABLE	CRI	BEAM ANGLE	TILT
	26W	2560lm	3000K/ 3500K	TRIAC	90+	40°	30°



FINISHES

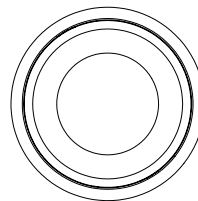
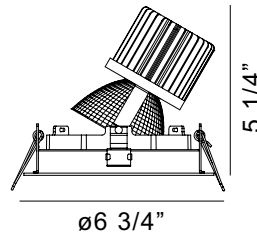


-01 Black



-02 White

PRODUCT DIMENSIONS

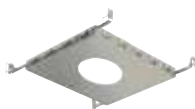


$\phi 6 \frac{1}{4}$ "

*HOUSING OPTIONS (SOLD SEPARATELY):

Refer to page 236 for housing specification

36205-011 NEW CONSTRUCTION PLATE



Dimension 12 3/4"L x 12 3/4"W x 1 3/8"H
Cut Hole $\phi 6 \frac{1}{4}$ "

36206-018 AIRTIGHT IC BOX



Dimension 12 3/4"L x 12 3/4"W x 1 1/2"H
Cut Hole $\phi 6 \frac{1}{4}$ "

AMIGO 26W DOWNLIGHT

35145



LAMPING

- 2 x 26W Integrated LED TRIAC Dimming. For 0-10V and alternate dimming options consult Eurofase.
- **Beam angle:** 40°
- **Kelvin:** 3000K/3500K
- **Lumen per head:** 2560lm
- **Total Lumens:** 5120lm
- **CRI:** 90+

ELECTRICAL

- Class 2 dimmable constant current driver (included)
- Driver box mates to fixture by 12" flexible BX cable
- Thermally protected
- **Input voltage:** 120V
For 277V and 347V input options consult Eurofase

HOUSING

- 18 gauge powder coated steel housing
- Remodel housing complete with adjustable mounting clips suitable for 1/2" and 5/8" drywall
- New construction plate, insulated ceiling box and airtight IC box sold separately (refer to housing options)*

DIMENSIONS

- **Cut hole:** 12 1/4"L x 6"W
- **Fixture:** 13"L x 6 3/4"W x 5 1/4"H

PHOTOMETRICS

- See pg 155

CUSTOMIZATION

- For customization, please consult Eurofase

ORDERING GUIDE

MODEL	KELVIN	FINISH
35145	-30 3000K	-01 Black
	-35 3500K	-02 White

EXAMPLE: 35145-30-01

SPECIFICATIONS

LED	WATTS	TOTAL LUMENS	KELVIN	DIMMABLE	CRI	BEAM ANGLE
	26W	5120lm	3000K / 3500K	TRIAC	90+	40°



FINISHES

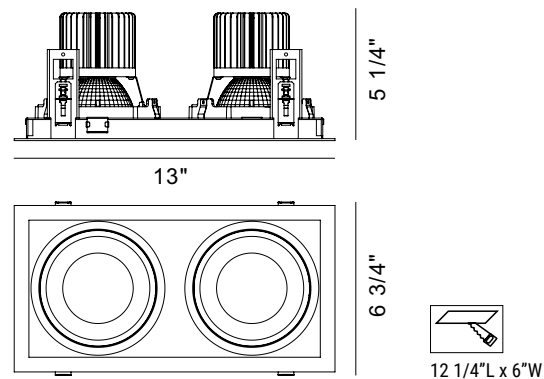


-01 Black



-02 White

PRODUCT DIMENSIONS



***HOUSING OPTIONS (SOLD SEPARATELY):** *Refer to page 236 for housing specification*

36208-012 NEW CONSTRUCTION PLATE



Dimension 18 1/4"L x 12 3/4"W x 1 3/8"H
Cut Hole 12 1/4"L x 6"W

36209-019 AIRTIGHT IC BOX



Dimension 18 1/4"L x 12 3/4"W x 11 1/2"H
Cut Hole 12 1/4"L x 6"W

AMIGO 26W GIMBAL

35146



LAMPING

- 2 x 26W Integrated LED TRIAC Dimming. For 0-10V and alternate dimming options consult Eurofase.
- **Beam angle:** 40°
- **Kelvin:** 3000K/3500K
- **Lumen per head:** 2560lm
- **Total Lumens:** 5120lm
- **CRI:** 90+

ELECTRICAL

- Class 2 dimmable constant current driver (included)
- Driver box mates to fixture by 12" flexible BX cable
- Thermally protected
- **Input voltage:** 120V
- For 277V and 347V input options consult Eurofase

HOUSING

- 18 gauge powder coated steel housing
- Remodel housing complete with adjustable mounting clips suitable for 1/2" and 5/8" drywall
- New construction plate, insulated ceiling box and airtight IC box sold separately (refer to housing options)*

GIMBAL

- Adjustable direction suits different application requirements
- **Tilt:** 30°

DIMENSIONS

- **Cut hole:** 12 1/4"L x 6"W
- **Fixture:** 13"L x 6 3/4"W x 5 1/4"H

PHOTOMETRICS

- See pg 155

CUSTOMIZATION

- For customization, please consult Eurofase

ORDERING GUIDE

MODEL	KELVIN	FINISH
35146	-30 3000K	-01 Black
	-35 3500K	-02 White

EXAMPLE: 35146-30-02

SPECIFICATIONS

LED	WATTS	TOTAL LUMENS	KELVIN	DIMMABLE	CRI	BEAM ANGLE	TILT
	26W	5120lm	3000K/ 3500K	TRIAC	90+	40°	30°



FINISHES

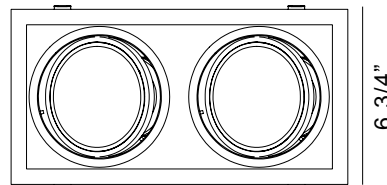
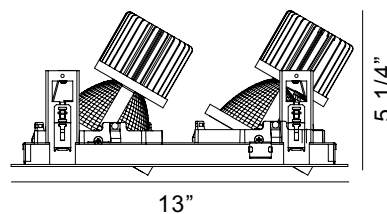


-01 Black



-02 White

PRODUCT DIMENSIONS



12 1/4"L x 6"W

***HOUSING OPTIONS (SOLD SEPARATELY):**

Refer to page 236 for housing specification

36208-012 NEW CONSTRUCTION PLATE

36209-019 AIRTIGHT IC BOX



Dimension 18 1/4"L x 12 3/4"W x 1 3/8"H
Cut Hole 12 1/4"L x 6"W



Dimension 18 1/4"L x 12 3/4"W x 11 1/2"H
Cut Hole 12 1/4"L x 6"W

AMIGO 26W DOWNLIGHT

35147



LAMPING

- 3 x 26W Integrated LED TRIAC Dimming. For 0-10V and alternate dimming options consult Eurofase.
- **Beam angle:** 40°
- **Kelvin:** 3000K/3500K
- **Lumen per head:** 2560lm
- **Total Lumens:** 7680lm
- **CRI:** 90+

ELECTRICAL

- Class 2 dimmable constant current driver (included)
- Driver box mates to fixture by 12" flexible BX cable
- Thermally protected
- **Input voltage:** 120V
For 277V and 347V input options consult Eurofase

HOUSING

- 18 gauge powder coated steel housing
- Remodel housing complete with adjustable mounting clips suitable for 1/2" and 5/8" drywall
- New construction plate, insulated ceiling box and airtight IC box sold separately (refer to housing options)*

DIMENSIONS

- **Cut hole:** 18 1/2"L x 6"W
- **Fixture:** 19 1/8"L x 6 3/4"W x 5 1/4"H

PHOTOMETRICS

- See pg 156

CUSTOMIZATION

- For customization, please consult Eurofase

ORDERING GUIDE

MODEL	KELVIN	FINISH
35147	-30 3000K	-01 Black
	-35 3500K	-02 White

EXAMPLE: 35147-30-01

SPECIFICATIONS

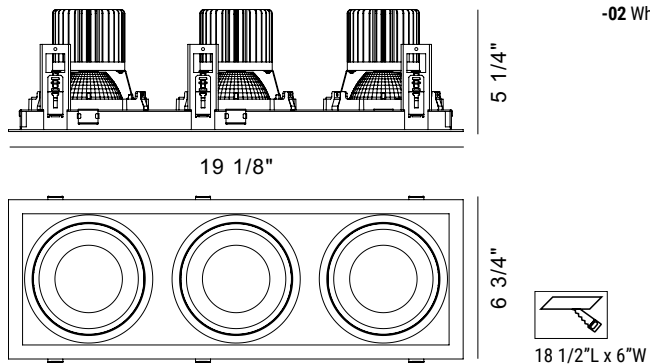
LED	WATTS	TOTAL LUMENS	KELVIN	DIMMABLE	CRI	BEAM ANGLE
	26W	7680lm	3000K / 3500K	TRIAC	90+	40°



FINISHES



PRODUCT DIMENSIONS



***HOUSING OPTIONS (SOLD SEPARATELY):**

Refer to page 236 for housing specification

36211-012 NEW CONSTRUCTION PLATE

36212-019 AIRTIGHT IC BOX



Dimension 24"L x 12 3/4"W x 1 3/8"H
Cut Hole 18 1/2"L x 6"W



Dimension 24"L x 12 3/4"W x 11 1/2"H
Cut Hole 18 1/2"L x 6"W

AMIGO 26W GIMBAL

35148



LAMPING

- 3 x 26W Integrated LED TRIAC Dimming. For 0-10V and alternate dimming options consult Eurofase.
- **Beam angle:** 40°
- **Kelvin:** 3000K/3500K
- **Lumen per head:** 2560lm
- **Total Lumens:** 7680lm
- **CRI:** 90+

ELECTRICAL

- Class 2 dimmable constant current driver (included)
- Driver box mates to fixture by 12" flexible BX cable
- Thermally protected
- **Input voltage:** 120V
For 277V and 347V input options consult Eurofase

HOUSING

- 18 gauge powder coated steel housing
- Remodel housing complete with adjustable mounting clips suitable for 1/2" and 5/8" drywall
- New construction plate, insulated ceiling box and airtight IC box sold separately (refer to housing options)*

GIMBAL

- Adjustable direction suits different application requirements
- **Tilt:** 30°

DIMENSIONS

- **Cut hole:** 18 1/2"L x 6"W
- **Fixture:** 19 1/8"L x 6 3/4"W x 5 1/4"H

PHOTOMETRICS

- See pg 156

CUSTOMIZATION

- For customization, please consult Eurofase

ORDERING GUIDE

MODEL	KELVIN	FINISH
35148	-30 3000K	-01 Black
	-35 3500K	-02 White

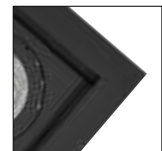
EXAMPLE: 35148-30-01

SPECIFICATIONS

LED	WATTS	TOTAL LUMENS	KELVIN	DIMMABLE	CRI	BEAM ANGLE	TILT
	26W	7680lm	3000K/ 3500K	TRIAC	90+	40°	30°



FINISHES

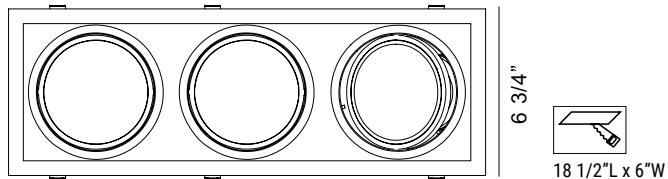
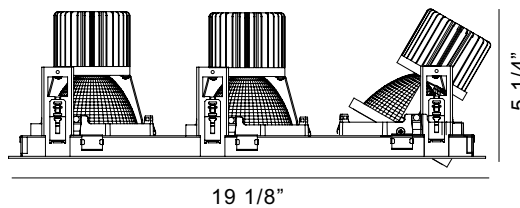


-01 Black



-02 White

PRODUCT DIMENSIONS



***HOUSING OPTIONS (SOLD SEPARATELY):**

Refer to page 236 for housing specification

36211-012 NEW CONSTRUCTION PLATE



Dimension 24"L x 12 3/4"W x 1 3/8"H
Cut Hole 18 1/2"L x 6"W

36212-019 AIRTIGHT IC BOX



Dimension 24"L x 12 3/4"W x 11 1/2"H
Cut Hole 18 1/2"L x 6"W

AMIGO 26W TRIMLESS DOWNLIGHT

35139



LAMPING

- 1 x 26W Integrated LED TRIAC Dimming. For 0-10V and alternate dimming options consult Eurofase.
- **Beam angle:** 40°
- **Kelvin:** 3000K/3500K
- **Lumen per head:** 2560lm
- **CRI:** 90+

ELECTRICAL

- Class 2 dimmable constant current driver (included)
- Driver box mates to fixture by 12" flexible BX cable
- Thermally protected
- **Input voltage:** 120V
For 277V and 347V input options consult Eurofase

HOUSING

- 18 gauge powder coated steel housing
- New construction plate, insulated ceiling box and airtight IC box sold separately (refer to housing options)*

MESH PLATE

- Steel mesh plate (included)
- Perforated perimeter allows mud to bond to mounting surface leaving a seamless finish in the ceiling

DIMENSIONS

- **Cut hole:** 6"L x 6"W
- **Fixture:** 5 3/4"L x 5 3/4"W x 5 1/4"H

PHOTOMETRICS

- See pg 155

CUSTOMIZATION

- For customization, please consult Eurofase

ORDERING GUIDE

MODEL	KELVIN	FINISH
35139	-30 3000K	-01 Black
	-35 3500K	-02 White

EXAMPLE: 35139-30-01

SPECIFICATIONS

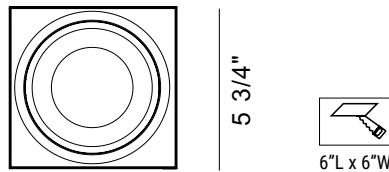
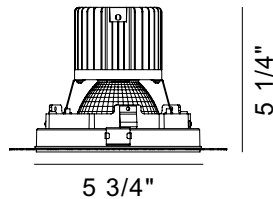
LED	WATTS	TOTAL LUMENS	KELVIN	DIMMABLE	CRI	BEAM ANGLE
	26W	2560lm	3000K / 3500K	TRIAC	90+	40°



FINISHES



PRODUCT DIMENSIONS



***HOUSING OPTIONS (SOLD SEPARATELY):**

Refer to page 236 for housing specification

36214-013 NEW CONSTRUCTION PLATE



Dimension 12 3/4"L x 12 3/4"W x 1 3/8"H
Cut Hole 6"L x 6"W

36215-010 AIRTIGHT IC BOX



Dimension 12 3/4"L x 12 3/4"W x 1 1/2"H
Cut Hole 6"L x 6"W

AMIGO 26W TRIMLESS GIMBAL

35140



LAMPING

- 1 x 26W Integrated LED TRIAC Dimming. For 0-10V and alternate dimming options consult Eurofase.
- **Beam angle:** 40°
- **Kelvin:** 3000K/3500K
- **Lumen per head:** 2560lm
- **CRI:** 90+

ELECTRICAL

- Class 2 dimmable constant current driver (included)
- Driver box mates to fixture by 12" flexible BX cable
- Thermally protected
- **Input voltage:** 120V
For 277V and 347V input options consult Eurofase

HOUSING

- 18 gauge powder coated steel housing
- New construction plate, insulated ceiling box and airtight IC box sold separately (refer to housing options)*

GIMBAL

- Adjustable direction suit different application requirement
- **Tilt:** 30°

MESH PLATE

- Steel mesh plate (included)
- Perforated perimeter allows mud to bond to mounting surface leaving a seamless finish in the ceiling

DIMENSIONS

- **Cut hole:** 6"L x 6"W
- **Fixture:** 5 3/4"L x 5 3/4"W x 5 1/4"H

PHOTOMETRICS

- See pg 155

CUSTOMIZATION

- For customization, please consult Eurofase

SPECIFICATIONS

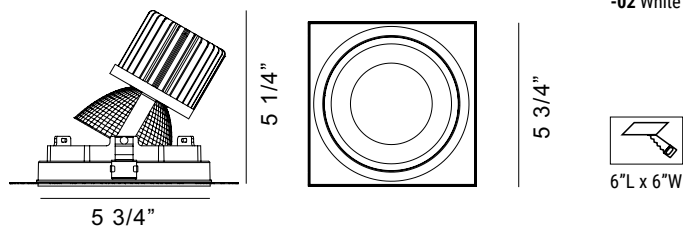
LED	WATTS	TOTAL LUMENS	KELVIN	DIMMABLE	CRI	BEAM ANGLE	TILT
	26W	2560lm	3000K / 3500K	TRIAC	90+	40°	30°



FINISHES



PRODUCT DIMENSIONS



ORDERING GUIDE

MODEL	KELVIN	FINISH
35140	-30 3000K	-01 Black
	-35 3500K	-02 White

EXAMPLE: 35140-30-01

*HOUSING OPTIONS (SOLD SEPARATELY):

Refer to page 236 for housing specification

36214-013 NEW CONSTRUCTION PLATE



Dimension 12 3/4"L x 12 3/4"W x 1 3/8"H
Cut Hole 6"L x 6"W

36215-010 AIRTIGHT IC BOX



Dimension 12 3/4"L x 12 3/4"W x 11 1/2"H
Cut Hole 6"L x 6"W

AMIGO 26W TRIMLESS DOWNLIGHT

35143



LAMPING

- 1 x 26W Integrated LED TRIAC Dimming. For 0-10V and alternate dimming options consult Eurofase.
- **Beam angle:** 40°
- **Kelvin:** 3000K/3500K
- **Lumen per head:** 2560lm
- **CRI:** 90+

ELECTRICAL

- Class 2 dimmable constant current driver (included)
- Driver box mates to fixture by 12" flexible BX cable
- Thermally protected
- **Input voltage:** 120V
For 277V and 347V input options consult Eurofase

HOUSING

- 18 gauge powder coated steel housing
- New construction plate, insulated ceiling box and airtight IC box sold separately (refer to housing options)*

MESH PLATE

- Steel mesh plate (included)
- Perforated perimeter allows mud to bond to mounting surface leaving a seamless finish in the ceiling

DIMENSIONS

- **Cut hole:** $\phi 6 \frac{1}{8}$ "
- **Fixture:** $\phi 5 \frac{3}{4}$ " x $5 \frac{1}{4}$ "H

PHOTOMETRICS

- See pg 155

CUSTOMIZATION

- For customization, please consult Eurofase

ORDERING GUIDE

MODEL	KELVIN	FINISH
35143	-30 3000K	-01 Black
	-35 3500K	-02 White

EXAMPLE: 35143-30-01

SPECIFICATIONS

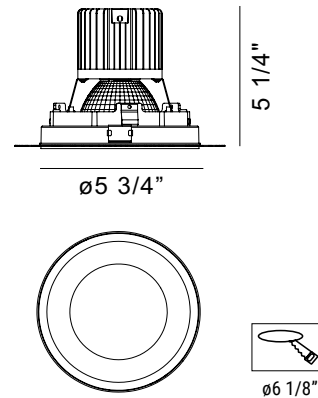
LED	WATTS	TOTAL LUMENS	KELVIN	DIMMABLE	CRI	BEAM ANGLE
	26W	2560lm	3000K / 3500K	TRIAC	90+	40°



FINISHES



PRODUCT DIMENSIONS



***HOUSING OPTIONS (SOLD SEPARATELY):** *Refer to page 236 for housing specification*

36217-014 NEW CONSTRUCTION PLATE

Dimension 12 3/4"L x 12 3/4"W x 1 3/8"H
Cut Hole $\phi 6 \frac{1}{8}$ "

36218-011 AIRTIGHT IC BOX

Dimension 12 3/4"L x 12 3/4"W x 1 1/2"H
Cut Hole $\phi 6 \frac{1}{8}$ "

AMIGO 26W TRIMLESS GIMBAL

35144



LAMPING

- 1 x 26W Integrated LED TRIAC Dimming. For 0-10V and alternate dimming options consult Eurofase.
- **Beam angle:** 40°
- **Kelvin:** 3000K/3500K
- **Lumen per head:** 2560lm
- **CRI:** 90+

ELECTRICAL

- Class 2 dimmable constant current driver (included)
- Driver box mates to fixture by 12" flexible BX cable
- Thermally protected
- **Input voltage:** 120V
For 277V and 347V input options consult Eurofase

HOUSING

- 18 gauge powder coated steel housing
- New construction plate, insulated ceiling box and airtight IC box sold separately (refer to housing options)*

GIMBAL

- Adjustable direction suits different application requirements
- **Tilt:** 30°

MESH PLATE

- Steel mesh plate (included)
- Perforated perimeter allows mud to bond to mounting surface leaving a seamless finish in the ceiling

DIMENSIONS

- **Cut hole:** $\phi 6 \frac{1}{8}$ "
- **Fixture:** $\phi 5 \frac{3}{4}$ " x $5 \frac{1}{4}$ "H

PHOTOMETRICS

- See pg 155

CUSTOMIZATION

- For customization, please consult Eurofase

SPECIFICATIONS

WATTS	TOTAL LUMENS	KELVIN	DIMMABLE	CRI	BEAM ANGLE	TILT
26W	2560lm	3000K / 3500K	TRIAC	90+	40°	30°

LED



Driver Box included



Mesh Plate included

FINISHES

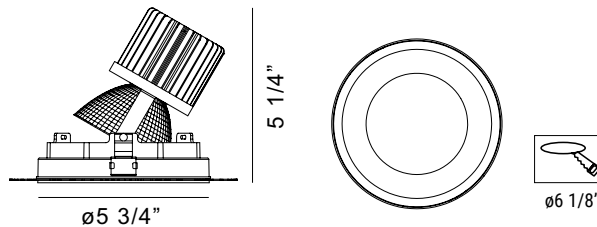


-01 Black



-02 White

PRODUCT DIMENSIONS



ORDERING GUIDE

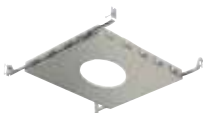
MODEL	KELVIN	FINISH
35144	-30 3000K	-01 Black
	-35 3500K	-02 White

EXAMPLE: 35144-30-01

*HOUSING OPTIONS (SOLD SEPARATELY):

Refer to page 236 for housing specification

36217-014 NEW CONSTRUCTION PLATE



Dimension 12 3/4"L x 12 3/4"W x 1 3/8"H
Cut Hole $\phi 6 \frac{1}{8}$ "

36218-011 AIRTIGHT IC BOX



Dimension 12 3/4"L x 12 3/4"W x 1 1/2"H
Cut Hole $\phi 6 \frac{1}{8}$ "

AMIGO 26W TRIMLESS DOWNLIGHT

35355



LAMPING

- 2 x 26W Integrated LED TRIAC Dimming. For 0-10V and alternate dimming options consult Eurofase.
- **Beam angle:** 40°
- **Kelvin:** 3000K/3500K
- **Lumen per head:** 2560lm
- **Total Lumens:** 5120lm
- **CRI:** 90+

ELECTRICAL

- Class 2 dimmable constant current driver (included)
- Driver box mates to fixture by 12" flexible BX cable
- Thermally protected
- **Input voltage:** 120V
For 277V and 347V input options consult Eurofase

HOUSING

- 18 gauge powder coated steel housing
- New construction plate, insulated ceiling box and airtight IC box sold separately (refer to housing options)*

MESH PLATE

- Steel mesh plate (included)
- Perforated perimeter allows mud to bond to mounting surface leaving a seamless finish in the ceiling

DIMENSIONS

- **Cut hole:** 12 3/8"L x 6 1/8"W
- **Fixture:** 12"L x 5 3/4"W x 5 1/4"H

PHOTOMETRICS

- See pg 155

CUSTOMIZATION

- For customization, please consult Eurofase

ORDERING GUIDE

MODEL	KELVIN	FINISH
35355	-30 3000K	-01 Black
	-35 3500K	-02 White

EXAMPLE: 35355-30-01

SPECIFICATIONS

LED	WATTS	TOTAL LUMENS	KELVIN	DIMMABLE	CRI	BEAM ANGLE
	26W	5120lm	3000K / 3500K	TRIAC	90+	40°



FINISHES

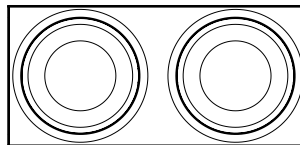
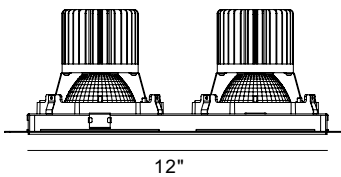


-01 Black



-02 White

PRODUCT DIMENSIONS



12 3/8"L x 6 1/8"W

***HOUSING OPTIONS (SOLD SEPARATELY):**

Refer to page 236 for housing specification

36220-014 NEW CONSTRUCTION PLATE



Dimension 20 1/4"L x 12 3/4"W x 1 3/8"H
Cut Hole 12 3/8"L x 6 1/8"W

36221-011 AIRTIGHT IC BOX



Dimension 20 1/4"L x 12 3/4"W x 11 1/2"H
Cut Hole 12 3/8"L x 6 1/8"W

AMIGO 26W TRIMLESS GIMBAL

35356



LAMPING

- 2 x 26W Integrated LED TRIAC Dimming. For 0-10V and alternate dimming options consult Eurofase.
- **Beam angle:** 40°
- **Kelvin:** 3000K/3500K
- **Lumen per head:** 2560lm
- **Total Lumens:** 5120lm
- **CRI:** 90+

ELECTRICAL

- Class 2 dimmable constant current driver (included)
- Driver box mates to fixture by 12" flexible BX cable
- Thermally protected
- **Input voltage:** 120V
For 277V and 347V input options consult Eurofase

HOUSING

- 18 gauge powder coated steel housing
- New construction plate, insulated ceiling box and airtight IC box sold separately (refer to housing options)*

GIMBAL

- Adjustable direction suits different application requirements
- **Tilt:** 30°

MESH PLATE

- Steel mesh plate (included)
- Perforated perimeter allows mud to bond to mounting surface leaving a seamless finish in the ceiling

DIMENSIONS

- **Cut hole:** 12 3/8"L x 6 1/8"W
- **Fixture:** 12"L x 5 3/4"W x 5 1/4"H

PHOTOMETRICS

- See pg 155

CUSTOMIZATION

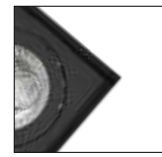
- For customization, please consult Eurofase

SPECIFICATIONS

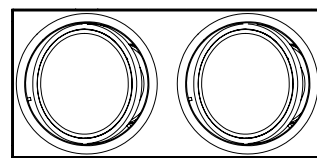
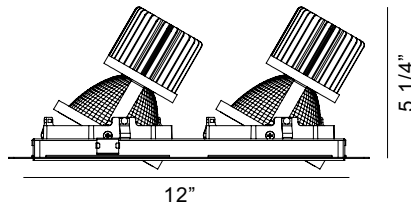
LED	WATTS	TOTAL LUMENS	KELVIN	DIMMABLE	CRI	BEAM ANGLE	TILT
	26W	5120lm	3000K / 3500K	TRIAC	90+	40°	30°



FINISHES



PRODUCT DIMENSIONS



12 3/8"L x 6 1/8"W

ORDERING GUIDE

MODEL	KELVIN	FINISH
35356	-30 3000K	-01 Black
	-35 3500K	-02 White

EXAMPLE: 35356-30-01

*HOUSING OPTIONS (SOLD SEPARATELY):

Refer to page 236 for housing specification

36220-014 NEW CONSTRUCTION PLATE



Dimension 20 1/4"L x 12 3/4"W x 1 3/8"H
Cut Hole 12 3/8"L x 6 1/8"W

36221-011 AIRTIGHT IC BOX



Dimension 20 1/4"L x 12 3/4"W x 11 1/2"H
Cut Hole 12 3/8"L x 6 1/8"W

AMIGO 26W TRIMLESS DOWNLIGHT

35357



LAMPING

- 3 x 26W Integrated LED TRIAC Dimming. For 0-10V and alternate dimming options consult Eurofase.
- **Beam angle:** 40°
- **Kelvin:** 3000K/3500K
- **Lumen per head:** 2560lm
- **Total Lumens:** 7680lm
- **CRI:** 90+

ELECTRICAL

- Class 2 dimmable constant current driver (included)
- Driver box mates to fixture by 12" flexible BX cable
- Thermally protected
- **Input voltage:** 120V
For 277V and 347V input options consult Eurofase

HOUSING

- 18 gauge powder coated steel housing
- New construction plate, insulated ceiling box and airtight IC box sold separately (refer to housing options)*

MESH PLATE

- Steel mesh plate (included)
- Perforated perimeter allows mud to bond to mounting surface leaving a seamless finish in the ceiling

DIMENSIONS

- **Cut hole:** 18 5/8"L x 6 1/8"W
- **Fixture:** 18 1/8"L x 5 3/4"W x 5 1/4"H

PHOTOMETRICS

- See pg 156

CUSTOMIZATION

- For customization, please consult Eurofase

ORDERING GUIDE

MODEL	KELVIN	FINISH
35357	-30 3000K	-01 Black
	-35 3500K	-02 White

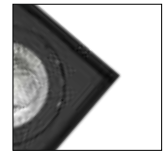
EXAMPLE: 35357-30-01

SPECIFICATIONS

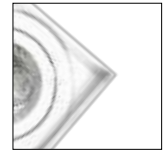
LED	WATTS	TOTAL LUMENS	KELVIN	DIMMABLE	CRI	BEAM ANGLE
	26W	7680lm	3000K / 3500K	TRIAC	90+	40°



FINISHES

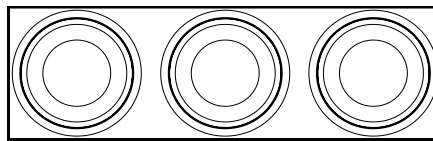
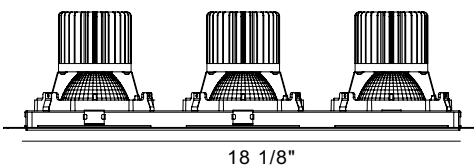


-01 Black



-02 White

PRODUCT DIMENSIONS



5 1/4"

5 3/4"



18 5/8" L X 6 1/8" W

***HOUSING OPTIONS (SOLD SEPARATELY):**

Refer to page 236 for housing specification

36223-015 NEW CONSTRUCTION PLATE

36224-012 AIRTIGHT IC BOX



Dimension 27 1/4"L x 12 3/4"W x 1 3/8"H
Cut Hole 18 5/8"L x 6 1/8"W



Dimension 27 1/4"L x 12 3/4"W x 11 1/2"H
Cut Hole 18 5/8"L x 6 1/8"W

AMIGO 26W TRIMLESS GIMBAL

35358



LAMPING

- 3 x 26W Integrated LED TRIAC Dimming. For 0-10V and alternate dimming options consult Eurofase.
- **Beam angle:** 40°
- **Kelvin:** 3000K/3500K
- **Lumen per head:** 2560lm
- **Total Lumens:** 7680lm
- **CRI:** 90+

ELECTRICAL

- Class 2 dimmable constant current driver (included)
- Driver box mates to fixture by 12" flexible BX cable
- Thermally protected
- **Input voltage:** 120V
For 277V and 347V input options consult Eurofase

HOUSING

- 18 gauge powder coated steel housing
- New construction plate, insulated ceiling box and airtight IC box sold separately (refer to housing options)*

GIMBAL

- Adjustable direction suits different application requirements
- **Tilt:** 30°

MESH PLATE

- Steel mesh plate (included)
- Perforated perimeter allows mud to bond to mounting surface leaving a seamless finish in the ceiling

DIMENSIONS

- **Cut hole:** 18 5/8"L x 6 1/8"W
- **Fixture:** 18 1/8"L x 5 3/4"W x 5 1/4"H

PHOTOMETRICS

- See pg 156

CUSTOMIZATION

- For customization, please consult Eurofase

SPECIFICATIONS

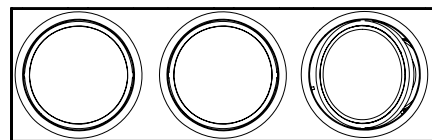
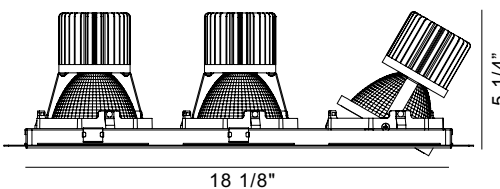
LED	WATTS	TOTAL LUMENS	KELVIN	DIMMABLE	CRI	BEAM ANGLE	TILT
	26W	7680lm	3000K/ 3500K	TRIAC	90+	40°	30°



FINISHES



PRODUCT DIMENSIONS



ORDERING GUIDE

MODEL	KELVIN	FINISH
35358	-30 3000K	-01 Black
	-35 3500K	-02 White

EXAMPLE: 35358-30-01

*HOUSING OPTIONS (SOLD SEPARATELY):

Refer to page 236 for housing specification

36223-015 NEW CONSTRUCTION PLATE



Dimension 27 1/4"L x 12 3/4"W x 1 3/8"H
Cut Hole 18 5/8"L x 6 1/8"W

36224-012 AIRTIGHT IC BOX

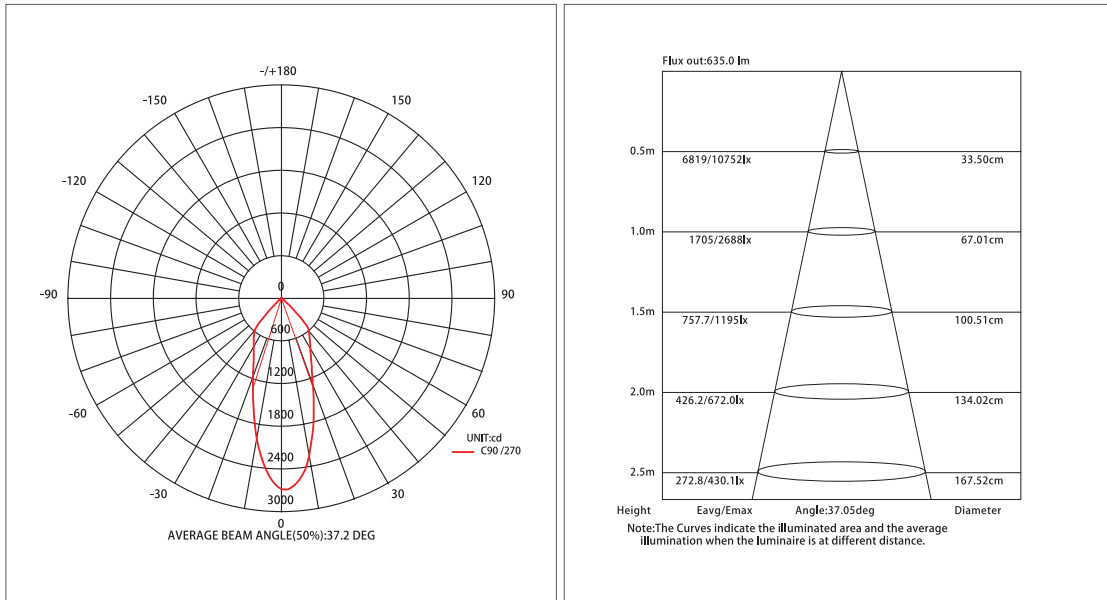


Dimension 27 1/4"L x 12 3/4"W x 11 1/2"H
Cut Hole 18 5/8"L x 6 1/8"W

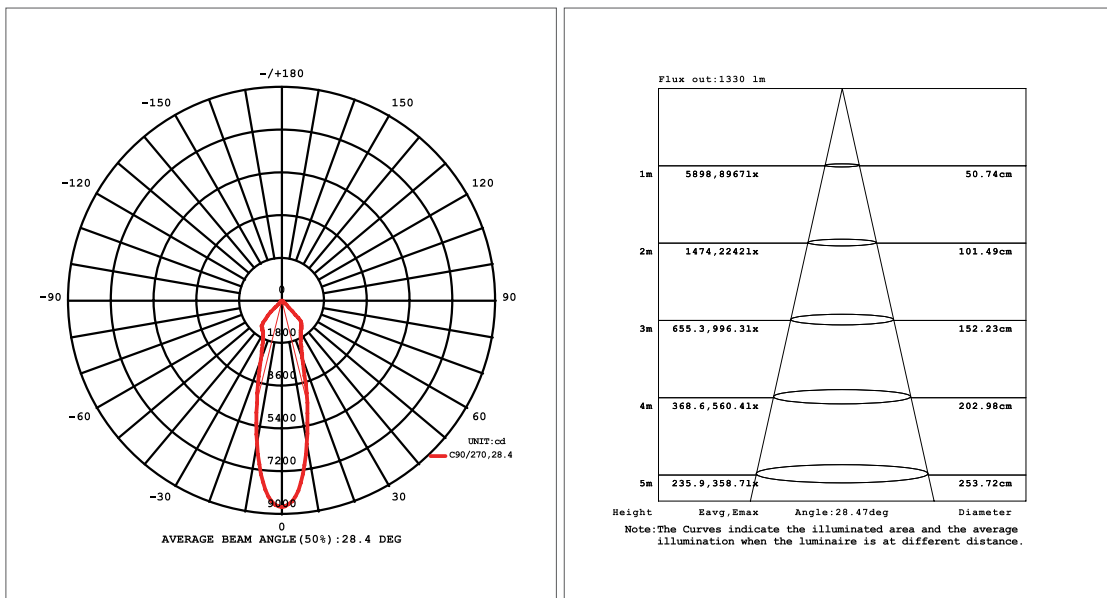
AMIGO 26W PHOTOMETRICS LED



35137 | 35138 | 35141 | 35142 | 35139 | 35140 | 35143 | 35144



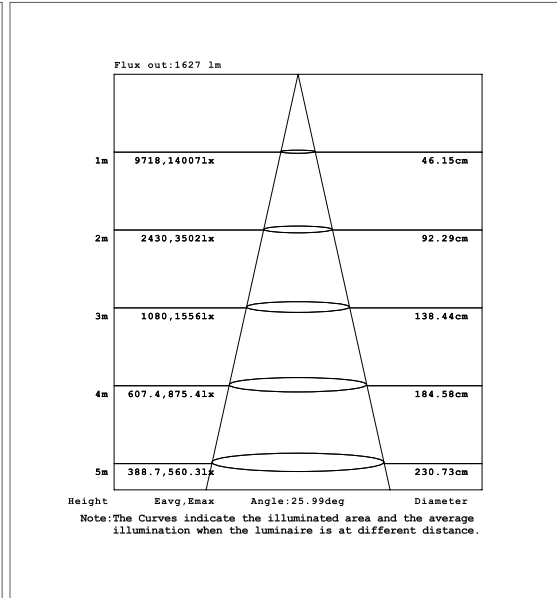
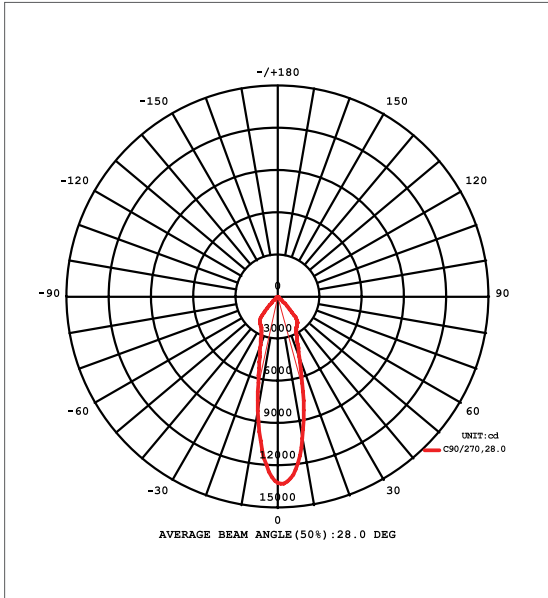
35145 | 35146 | 35355 | 35356



LED AMIGO 26W PHOTOMETRICS



35147 | 35148 | 35357 | 35358



LED 15W **LED**



Die cast aluminum heat sink allows fixture to run at optimal temperature to guarantee long product life



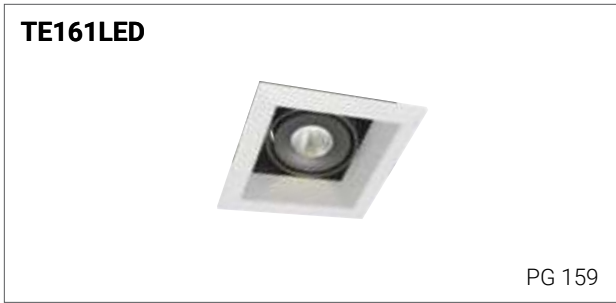
Fully removable gimbal for ease of maintenance



Quick connector for easy installation

TRIM

TRIMLESS



LED 15W GIMBAL

TE161LED



LAMPING

- 1 x 15W Integrated LED TRIAC Dimming. For 0-10V and alternate dimming options consult Eurofase
- **Beam angle:** 20°/40°
- **Horizontal adjustment:** 0° - 20°
- **Kelvin:** 3000K/3500K/4000K
- **Lumen per head:** 1290lm
- **CRI:** 90+

ELECTRICAL

- Class 2 dimmable constant current driver (included)
- Driver box mates to fixture by 24" flexible BX cable and has one 1/2" and two 3/4" knockouts for through branch circuit wiring
- Thermally protected
- **Input voltage:** 120V
For 277V and 347V input options consult Eurofase

HOUSING

- 18 gauge powder coated steel housing
- Remodel housing complete with adjustable mounting clips suitable for 1/2" and 5/8" drywall
- New construction plate, insulated ceiling box and airtight IC box sold separately (refer to housing options)*

TRIM

- Extruded 6063 aluminum trim
- Powder coated finish
- Available in black and white

DIMENSIONS

- **Cut hole:** 5 1/8"L x 5 1/8"W
- **Fixture:** 6 3/16"L x 6 3/16"W x 5 7/8"H

PHOTOMETRICS

- See pg 168

CUSTOMIZATION

- For customization, please consult Eurofase

ORDERING GUIDE

MODEL	KELVIN	BEAM ANGLE	FINISH
TE161LED	-30 3000K	-2 20°	-01 Black/Black
	-35 3500K	-4 40°	-02 White/Black
	-40 4000K		-22 White/White

EXAMPLE: TE161LED-30-2-01

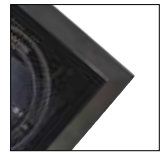
SPECIFICATIONS

LED

WATTS	LUMENS	KELVIN	DIMMABLE	CRI	BEAM ANGLE
15W	1290lm	3000K / 3500K 4000K	TRIAC	90+	20° / 40°



FINISHES



-01 Black/Black

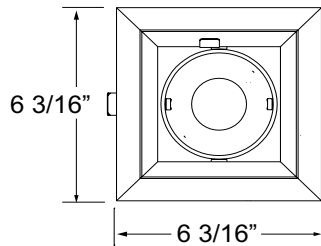
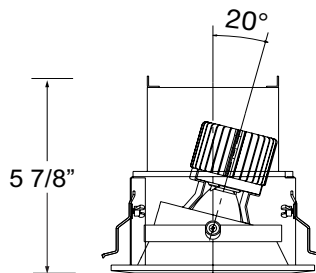


-02 White/Black



-022 White/White

PRODUCT DIMENSIONS



5 1/8"L x 5 1/8"W

*HOUSING OPTIONS (SOLD SEPARATELY):

Refer to page 237 for housing specification

24051-019 NEW CONSTRUCTION PLATE

30366-015 AIRTIGHT IC BOX
24071-017 INSULATED CEILING BOX



Dimension 12 3/4"L x 11 1/4"W x 1 3/8"H
Cut Hole 5 1/8"L x 5 1/8"W



Dimension 12 3/4"L x 11 1/4"W x 1 1/2"H
Cut Hole 5 1/8"L x 5 1/8"W

LED 15W TRIMLESS GIMBAL

TE611LED



LAMPING

- 1 x 15W Integrated LED TRIAC Dimming. For 0-10V and alternate dimming options consult Eurofase
- **Beam angle:** 20°/40°
- **Horizontal adjustment:** 0° - 20°
- **Kelvin:** 3000K/3500K/4000K
- **Lumen per head:** 1290lm
- **CRI:** 90+

ELECTRICAL

- Class 2 dimmable constant current driver (included)
- Driver box mates to fixture by 24" flexible BX cable and has one 1/2" and two 3/4" knockouts for through branch circuit wiring
- Thermally protected
- **Input voltage:** 120V
For 277V and 347V input options consult Eurofase

HOUSING

- 18 gauge powder coated steel housing
- New construction plate, insulated ceiling box and airtight IC box sold separately (refer to housing options)*

MESH PLATE

- Steel mesh plate (included)
- Perforated perimeter allows mud to bond to mounting surface leaving a seamless finish in the ceiling

DIMENSIONS

- **Cut hole:** 4 3/16"L x 4 3/16"W
- **Fixture:** 4"L x 4"W x 4 3/4"H

PHOTOMETRICS

- See pg 168

CUSTOMIZATION

- For customization, please consult Eurofase

ORDERING GUIDE

MODEL	KELVIN	BEAM ANGLE	FINISH
TE611LED	-30 3000K	-2 20°	-01 Black/Black
	-35 3500K	-4 40°	-02 White/White
	-40 4000K		

EXAMPLE: TE611LED-30-2-01

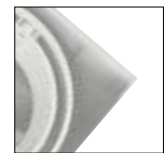
SPECIFICATIONS

LED

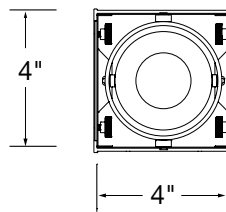
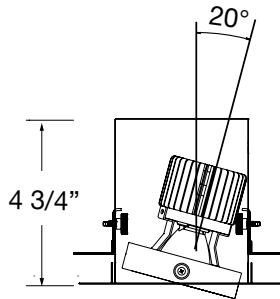
WATTS	LUMENS	KELVIN	DIMMABLE	CRI	BEAM ANGLE
15W	1290lm	3000K / 3500K 4000K	TRIAC	90+	20° / 40°



FINISHES



PRODUCT DIMENSIONS



4 3/16"L x 4 3/16"W

***HOUSING OPTIONS (SOLD SEPARATELY):**

Refer to page 237 for housing specification

24063-012 NEW CONSTRUCTION PLATE

30378-018 AIRTIGHT IC BOX
24083-010 INSULATED CEILING BOX



Dimension 11"L x 9"W x 1 3/8"H
Cut Hole 4 3/16"L x 4 3/16"W



Dimension 11"L x 9"W x 9 1/2"H
Cut Hole 4 3/16"L x 4 3/16"W

LED 15W GIMBAL

TE162LED



LAMPING

- 2 x 15W Integrated LED TRIAC Dimming.
- For 0-10V and alternate dimming options consult Eurofase
- **Beam angle:** 20°/40°
- **Horizontal adjustment:** 0° - 20°
- **Kelvin:** 3000K/3500K/4000K
- **Lumen per head:** 1290lm
- **Total Lumens:** 2580lm
- **CRI:** 90+

ELECTRICAL

- Class 2 dimmable constant current driver (included)
- Driver box mates to fixture by 24" flexible BX cable and has one 1/2" and two 3/4" knockouts for through branch circuit wiring
- Thermally protected
- **Input voltage:** 120V
- For 277V and 347V input options consult Eurofase

HOUSING

- 18 gauge powder coated steel housing
- Remodel housing complete with adjustable mounting clips suitable for 1/2" and 5/8" drywall
- New construction plate, insulated ceiling box and airtight IC box sold separately (refer to housing options)*

TRIM

- Extruded 6063 aluminum trim
- Powder coated finish
- Available in black and white

DIMENSIONS

- **Cut hole:** 9 1/2"L x 5 1/8"W
- **Fixture:** 10 7/16"L x 6 1/8"W x 6 5/16"H

PHOTOMETRICS

- See pg 168

CUSTOMIZATION

- For customization, please consult Eurofase

ORDERING GUIDE

MODEL	KELVIN	BEAM ANGLE	FINISH
TE162LED	-30 3000K	-2 20°	-01 Black/Black
	-35 3500K	-4 40°	-02 White/Black
	-40 4000K		-22 White/White

EXAMPLE: TE162LED-30-2-01

SPECIFICATIONS

LED

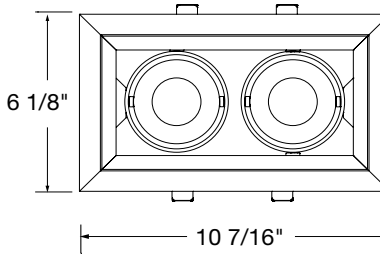
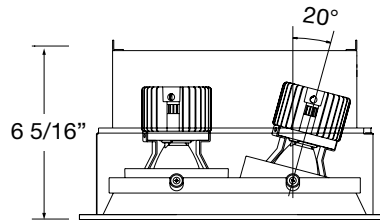
WATTS	TOTAL LUMENS	KELVIN	DIMMABLE	CRI	BEAM ANGLE
15W	2580lm	3000K / 3500K 4000K	TRIAC	90+	20° / 40°



FINISHES



PRODUCT DIMENSIONS



9 1/2"L x 5 1/8"W

*HOUSING OPTIONS (SOLD SEPARATELY):

Refer to page 237 for housing specification

24052-016 NEW CONSTRUCTION PLATE

30367-012 AIRTIGHT IC BOX
24072-014 INSULATED CEILING BOX



Dimension 17"L x 12 3/4"W x 1 3/8"H
Cut Hole 9 1/2"L x 5 1/8"W



Dimension 17"L x 12 3/4"W x 11 1/2"H
Cut Hole 9 1/2"L x 5 1/8"W

LED 15W TRIMLESS GIMBAL

TE612LED



LAMPING

- 2 x 15W Integrated LED TRIAC Dimming. For 0-10V and alternate dimming options consult Eurofase
- **Beam angle:** 20°/40°
- **Horizontal adjustment:** 0° - 20°
- **Kelvin:** 3000K/3500K/4000K
- **Lumen per head:** 1290lm
- **Total Lumens:** 2580lm
- **CRI:** 90+

ELECTRICAL

- Class 2 dimmable constant current driver (included)
- Driver box mates to fixture by 24" flexible BX cable and has one 1/2" and two 3/4" knockouts for through branch circuit wiring
- Thermally protected
- **Input voltage:** 120V
- For 277V and 347V input options consult Eurofase

HOUSING

- 18 gauge powder coated steel housing
- New construction plate, insulated ceiling box and airtight IC box sold separately (refer to housing options)*

MESH PLATE

- Steel mesh plate (included)
- Perforated perimeter allows mud to bond to mounting surface leaving a seamless finish in the ceiling

DIMENSIONS

- **Cut hole:** 8 9/16"L x 4 3/16"W
- **Fixture:** 8 1/4"L x 4"W x 5"H

PHOTOMETRICS

- See pg 168

CUSTOMIZATION

- For customization, please consult Eurofase

ORDERING GUIDE

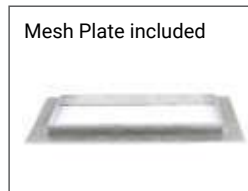
MODEL	KELVIN	BEAM ANGLE	FINISH
TE612LED	-30 3000K	-2 20°	-01 Black/Black
	-35 3500K	-4 40°	-02 White/White
	-40 4000K		

EXAMPLE: TE612LED-30-2-01

SPECIFICATIONS

LED

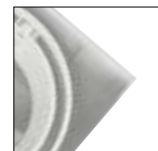
WATTS	LUMENS	KELVIN	DIMMABLE	CRI	BEAM ANGLE
15W	2580lm	3000K / 3500K / 4000K	TRIAC	90+	20° / 40°



FINISHES

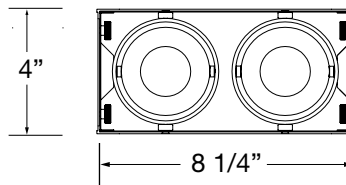
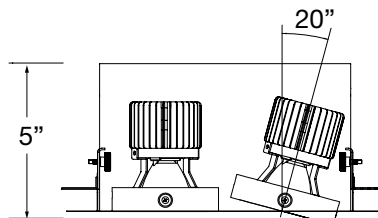


-01 Black/Black



-02 White/White

PRODUCT DIMENSIONS



8 9/16"L x 4 3/16"W

***HOUSING OPTIONS (SOLD SEPARATELY):**

Refer to page 237 for housing specification

24064-019 NEW CONSTRUCTION PLATE



Dimension 17"L x 8 3/4"W x 1 3/8"H
Cut Hole 8 9/16"L x 4 3/16"W

30379-015 AIRTIGHT IC BOX
24084-017 INSULATED CEILING BOX



Dimension 17"L x 8 3/4"W x 9 1/2"H
Cut Hole 8 9/16"L x 4 3/16"W

LED 15W GIMBAL

TE163LED



LAMPING

- 3 x 15W Integrated LED TRIAC Dimming. For 0-10V and alternate dimming options consult Eurofase
- **Beam angle:** 20°/40°
- **Horizontal adjustment:** 0° - 20°
- **Kelvin:** 3000K/3500K/4000K
- **Lumen per head:** 1290lm
- **Total Lumens:** 3870lm
- **CRI:** 90+

ELECTRICAL

- Class 2 dimmable constant current driver (included)
- Driver box mates to fixture by 24" flexible BX cable and has one 1/2" and two 3/4" knockouts for through branch circuit wiring
- Thermally protected
- **Input voltage:** 120V
For 277V and 347V input options consult Eurofase

HOUSING

- 18 gauge powder coated steel housing
- Remodel housing complete with adjustable mounting clips suitable for 1/2" and 5/8" drywall
- New construction plate, insulated ceiling box and airtight IC box sold separately (refer to housing options)*

TRIM

- Extruded 6063 aluminum trim
- Powder coated finish
- Available in black and white

DIMENSIONS

- **Cut hole:** 13 3/8"L x 5 1/8"W
- **Fixture:** 14 3/8"L x 6 3/16"W x 6 5/16"H

PHOTOMETRICS

- See pg 169

CUSTOMIZATION

- For customization, please consult Eurofase

ORDERING GUIDE

MODEL	KELVIN	BEAM ANGLE	FINISH
TE163LED	-30 3000K	-2 20°	-01 Black/Black
	-35 3500K	-4 40°	-02 White/Black
	-40 4000K		-22 White/White

EXAMPLE: TE163LED-30-2-01

*HOUSING OPTIONS (SOLD SEPARATELY):

24053-013 NEW CONSTRUCTION PLATE



Dimension 22"L x 12 3/4"W x 1 3/8"H
Cut Hole 13 3/8"L x 5 1/8"W

Refer to page 237 for housing specification

30368-019 AIRTIGHT IC BOX
24073-011 INSULATED CEILING BOX



Dimension 22"L x 12 3/4"W x 11 1/2"H
Cut Hole 13 3/8"L x 5 1/8"W

SPECIFICATIONS

LED

WATTS	TOTAL LUMENS	KELVIN	DIMMABLE	CRI	BEAM ANGLE
15W	3870lm	3000K / 3500K 4000K	TRIAC	90+	20° / 40°



Driver Box included

FINISHES



-01 Black/Black

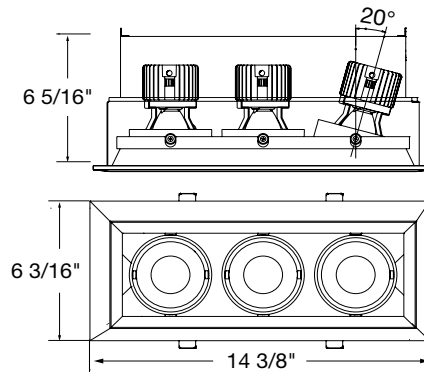


-02 White/Black



-22 White/White

PRODUCT DIMENSIONS



13 3/8"L x 5 1/8"W

LED 15W TRIMLESS GIMBAL

TE613LED



LAMPING

- 3 x 15W Integrated LED TRIAC Dimming.
- For 0-10V and alternate dimming options consult Eurofase
- **Beam angle:** 20°/40°
- **Horizontal adjustment:** 0° - 20°
- **Kelvin:** 3000K/3500K/4000K
- **Lumen per head:** 1290lm
- **Total Lumens:** 3870lm
- **CRI:** 90+

ELECTRICAL

- Class 2 dimmable constant current driver (included)
- Driver box mates to fixture by 24" flexible BX cable and has one 1/2" and two 3/4" knockouts for through branch circuit wiring
- Thermally protected
- **Input voltage:** 120V
- For 277V and 347V input options consult Eurofase

HOUSING

- 18 gauge powder coated steel housing
- New construction plate, insulated ceiling box and airtight IC box sold separately (refer to housing options)*

MESH PLATE

- Steel mesh plate (included)
- Perforated perimeter allows mud to bond to mounting surface leaving a seamless finish in the ceiling

DIMENSIONS

- **Cut hole:** 12 7/16"L x 4 3/16"W
- **Fixture:** 12 1/4"L x 4"W x 5"H

PHOTOMETRICS

- See pg 169

CUSTOMIZATION

- For customization, please consult Eurofase

ORDERING GUIDE

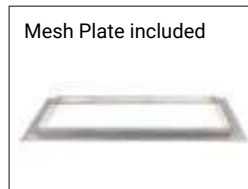
MODEL	KELVIN	BEAM ANGLE	FINISH
TE613LED	-30 3000K	-2 20°	-01 Black/Black
	-35 3500K	-4 40°	-02 White/White
	-40 4000K		

EXAMPLE: TE613LED-30-2-01

SPECIFICATIONS

LED

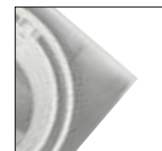
WATTS	TOTAL LUMENS	KELVIN	DIMMABLE	CRI	BEAM ANGLE
15W	3870lm	3000K / 3500K 4000K	TRIAC	90+	20° / 40°



FINISHES

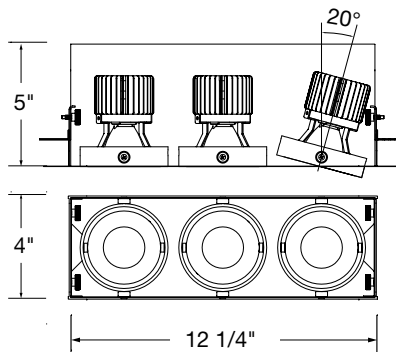


-01 Black/Black



-02 White/White

PRODUCT DIMENSIONS



12 7/16"L x 4 3/16"W

***HOUSING OPTIONS (SOLD SEPARATELY):**

Refer to page 237 for housing specification

24065-016 NEW CONSTRUCTION PLATE



Dimension 19 3/4"L x 8 3/4"W x 1 3/8"H
Cut Hole 12 5/8"L x 4 3/16"W

30380-011 AIRTIGHT IC BOX
24085-014 INSULATED CEILING BOX



Dimension 19 3/4"L x 8 3/4"W x 9 1/2"H
Cut Hole 12 5/8"L x 4 3/16"W

LED 15W GIMBAL

TE164BLED



LAMPING

- 4 x 15W Integrated LED TRIAC Dimming. For 0-10V and alternate dimming options consult Eurofase
- **Beam angle:** 20°/40°
- **Horizontal adjustment:** 0° - 20°
- **Kelvin:** 3000K/3500K/4000K
- **Lumen per head:** 1290lm
- **Total Lumens:** 5160lm
- **CRI:** 90+

ELECTRICAL

- Class 2 dimmable constant current driver (included)
- Driver box mates to fixture by 24" flexible BX cable and has one 1/2" and two 3/4" knockouts for through branch circuit wiring
- Thermally protected
- **Input voltage:** 120V
For 277V and 347V input options consult Eurofase

HOUSING

- 18 gauge powder coated steel housing
- Remodel housing complete with adjustable mounting clips suitable for 1/2" and 5/8" drywall
- New construction plate, insulated ceiling box and airtight IC box sold separately (refer to housing options)*

TRIM

- Extruded 6063 aluminum trim
- Powder coated finish
- Available in black and white

DIMENSIONS

- **Cut hole:** 9 1/2"L x 9 1/2"W
- **Fixture:** 10 5/8"L x 10 5/8"W x 6"H

PHOTOMETRICS

- See pg 169

CUSTOMIZATION

- For customization, please consult Eurofase

ORDERING GUIDE

MODEL	KELVIN	BEAM ANGLE	FINISH
TE164BLED	-30 3000K	-2 20°	-01 Black/Black
	-35 3500K	-4 40°	-02 White/Black
	-40 4000K		-22 White/White

EXAMPLE: TE164BLED-30-2-01

SPECIFICATIONS

LED

WATTS	TOTAL LUMENS	KELVIN	DIMMABLE	CRI	BEAM ANGLE
15W	5160lm	3000K / 3500K 4000K	TRIAC	90+	20° / 40°



FINISHES



-01 Black/Black

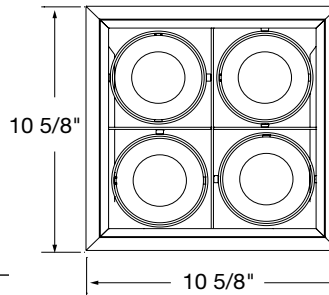
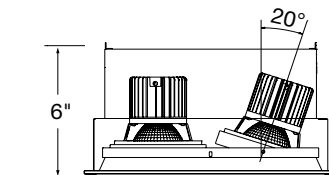


-02 White/Black



-022 White/White

PRODUCT DIMENSIONS



9 1/2"L x 9 1/2"W

*HOUSING OPTIONS (SOLD SEPARATELY):

24055-017 NEW CONSTRUCTION PLATE



Dimension 24"L x 18"W x 1 3/8"H
Cut Hole 9 1/2"L x 9 1/2"W

Refer to page 237 for housing specification

30370-012 AIRTIGHT IC BOX
24075-015 INSULATED CEILING BOX



Dimension 24"L x 18"W x 11 1/2"H
Cut Hole 9 1/2"L x 9 1/2"W

LED 15W TRIMLESS GIMBAL

TE614BLED



LAMPING

- 4 x 15W Integrated LED TRIAC Dimming. For 0-10V and alternate dimming options consult Eurofase
- **Beam angle:** 20°/40°
- **Horizontal adjustment:** 0° - 20°
- **Kelvin:** 3000K/3500K/4000K
- **Lumen per head:** 1290lm
- **Total Lumens:** 5160lm
- **CRI:** 90+

ELECTRICAL

- Class 2 dimmable constant current driver (included)
- Driver box mates to fixture by 24" flexible BX cable and has one 1/2" and two 3/4" knockouts for through branch circuit wiring
- Thermally protected
- **Input voltage:** 120V
- For 277V and 347V input options consult Eurofase

HOUSING

- 18 gauge powder coated steel housing
- New construction plate, insulated ceiling box and airtight IC box sold separately (refer to housing options)*

MESH PLATE

- Steel mesh plate (included)
- Perforated perimeter allows mud to bond to mounting surface leaving a seamless finish in the ceiling

DIMENSIONS

- **Cut hole:** 8 9/16"L x 8 9/16"W
- **Fixture:** 8 3/8"L x 8 3/8"W x 4 7/8"H

PHOTOMETRICS

- See pg 169

CUSTOMIZATION

- For customization, please consult Eurofase

ORDERING GUIDE

MODEL	KELVIN	BEAM ANGLE	FINISH
TE614BLED	-30 3000K	-2 20°	-01 Black/Black
	-35 3500K	-4 40°	-02 White/White
	-40 4000K		

EXAMPLE: TE614BLED-30-2-01

SPECIFICATIONS

LED

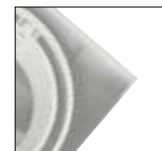
WATTS	TOTAL LUMENS	KELVIN	DIMMABLE	CRI	BEAM ANGLE
15W	5160lm	3000K / 3500K 4000K	TRIAC	90+	20° / 40°



FINISHES

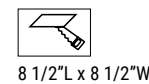
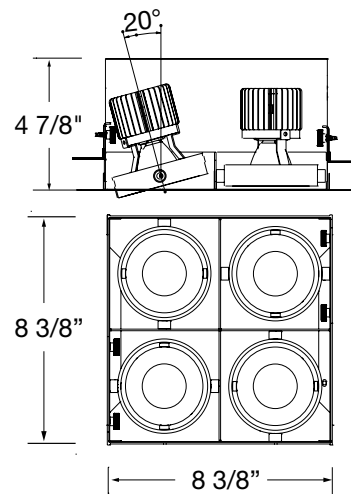


-01 Black/Black



-02 White/White

PRODUCT DIMENSIONS



***HOUSING OPTIONS (SOLD SEPARATELY):**

Refer to page 237 for housing specification

24066-020 NEW CONSTRUCTION PLATE

30382-015 AIRTIGHT IC BOX
24086-028 INSULATED CEILING BOX



Dimension 20"L x 18"W x 1 3/8"H
Cut Hole 8 9/16"L x 8 9/16"W



Dimension 20"L x 18"W x 11 1/2"H
Cut Hole 8 9/16"L x 8 9/16"W

LED 15W GIMBAL

TE164ALED



LAMPING

- 4 x 15W Integrated LED TRIAC Dimming. For 0-10V and alternate dimming options consult Eurofase
- **Beam angle:** 20°/40°
- **Horizontal adjustment:** 0° - 20°
- **Kelvin:** 3000K/3500K/4000K
- **Lumen per head:** 1290lm
- **Total Lumens:** 5160lm
- **CRI:** 90+

ELECTRICAL

- Class 2 dimmable constant current driver (included)
- Driver box mates to fixture by 24" flexible BX cable and has one 1/2" and two 3/4" knockouts for through branch circuit wiring
- Thermally protected
- **Input voltage:** 120V
For 277V and 347V input options consult Eurofase

HOUSING

- 18 gauge powder coated steel housing
- Remodel housing complete with adjustable mounting clips suitable for 1/2" and 5/8" drywall
- New construction plate, insulated ceiling box and airtight IC box sold separately (refer to housing options)*

TRIM

- Extruded 6063 aluminum trim
- Powder coated finish
- Available in black and white

DIMENSIONS

- **Cut hole:** 17 1/2"L x 5 1/8"W
- **Fixture:** 18 3/8"L x 6 1/8"W x 6 5/16"H

PHOTOMETRICS

- See pg 170

CUSTOMIZATION

- For customization, please consult Eurofase

ORDERING GUIDE

MODEL	KELVIN	BEAM ANGLE	FINISH
TE164ALED	-30 3000K	-2 20°	-01 Black/Black
	-35 3500K	-4 40°	-02 White/Black
	-40 4000K		-22 White/White

EXAMPLE: TE164ALED-30-2-01

*HOUSING OPTIONS (SOLD SEPARATELY):

24054-010 NEW CONSTRUCTION PLATE



Dimension 26"L x 12 3/4"W x 1 3/8"H
Cut Hole 17 1/2"L x 5 1/8"W

Refer to page 237 for housing specification

30369-016 AIRTIGHT IC BOX
24074-018 INSULATED CEILING BOX



Dimension 26"L x 12 3/4"W x 11 1/2"H
Cut Hole 17 1/2"L x 5 1/8"W

SPECIFICATIONS

LED

WATTS	TOTAL LUMENS	KELVIN	DIMMABLE	CRI	BEAM ANGLE
15W	5160lm	3000K / 3500K 4000K	TRIAC	90+	20° / 40°



Driver Box included

FINISHES



-01 Black/Black

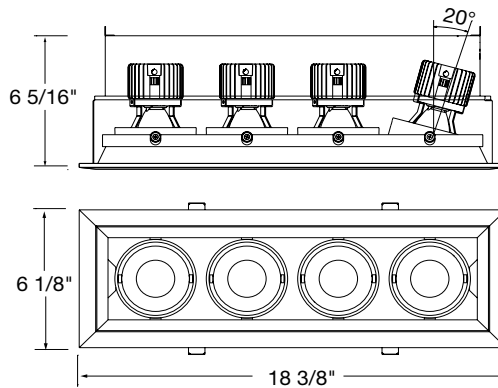


-02 White/Black



-022 White/White

PRODUCT DIMENSIONS

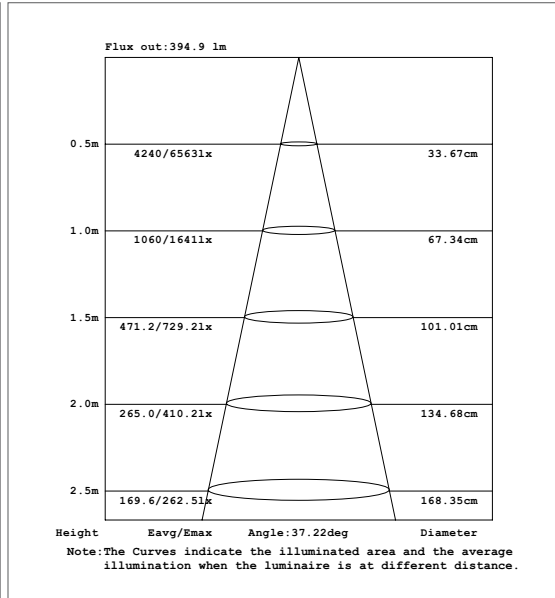
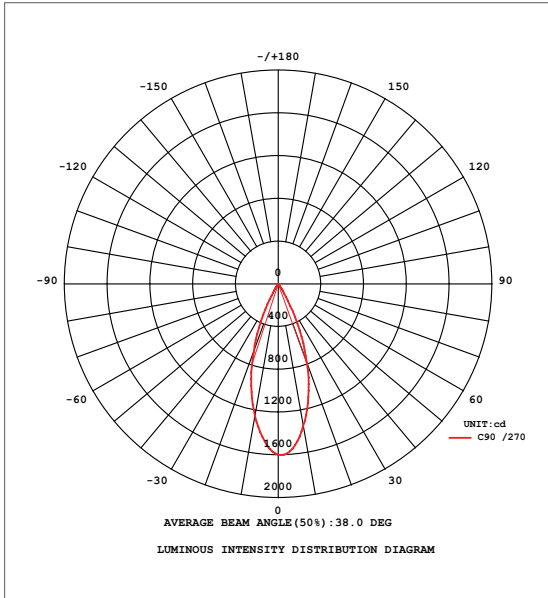


17 1/2"L x 5 1/8"W

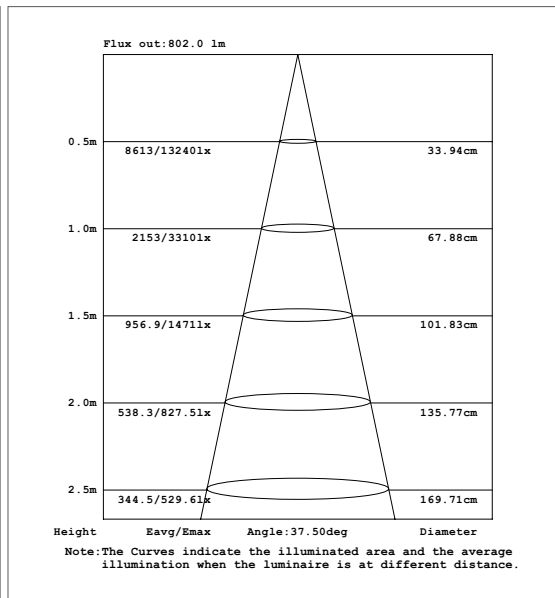
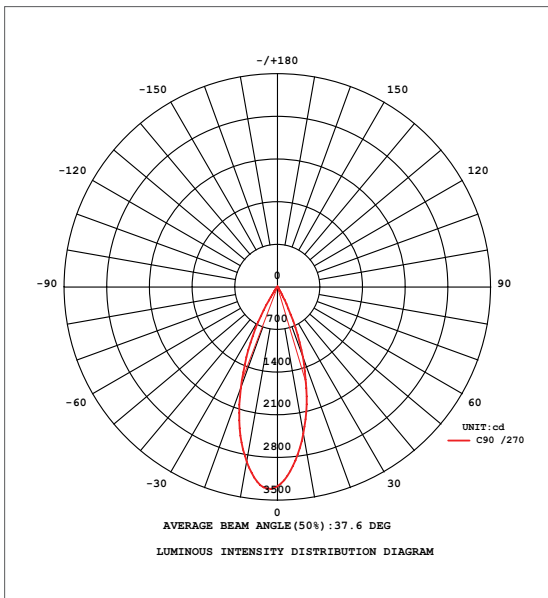
LED 15W PHOTOMETRICS



TE161LED | TE611LED



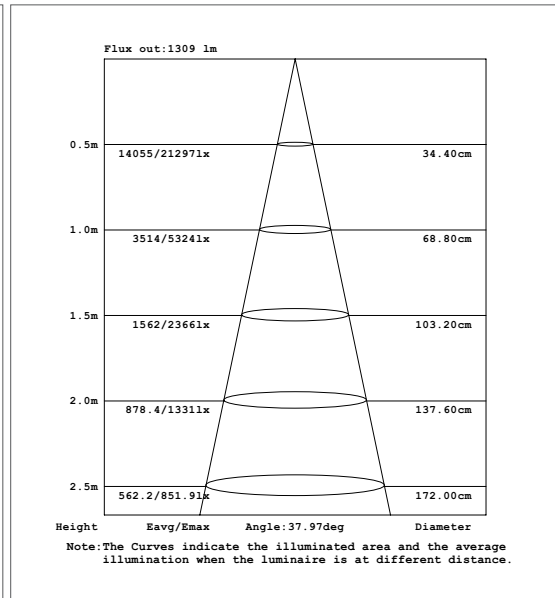
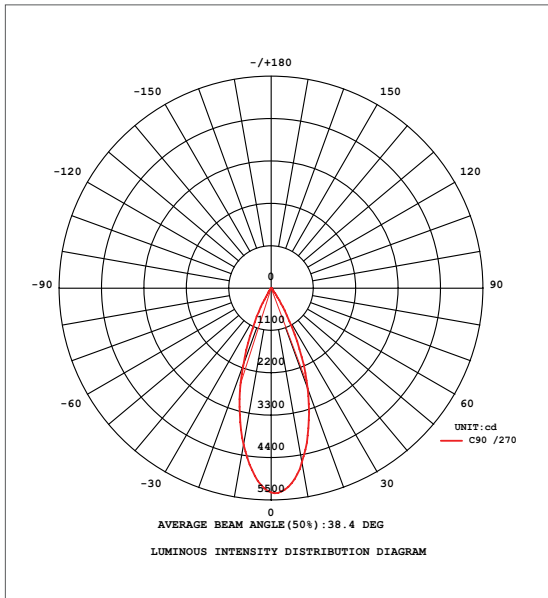
TE162LED | TE612LED



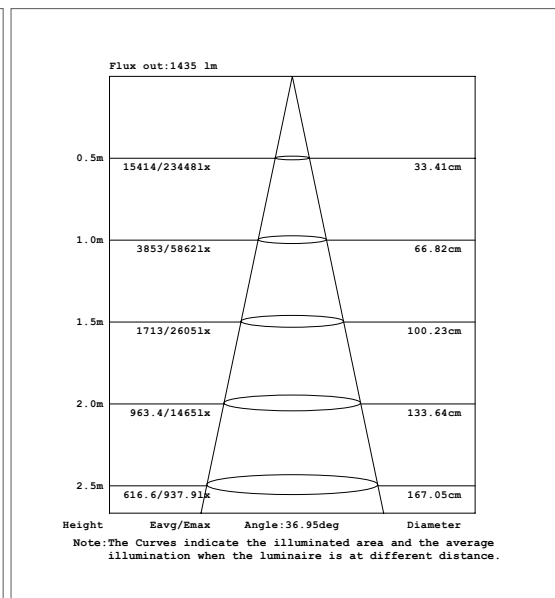
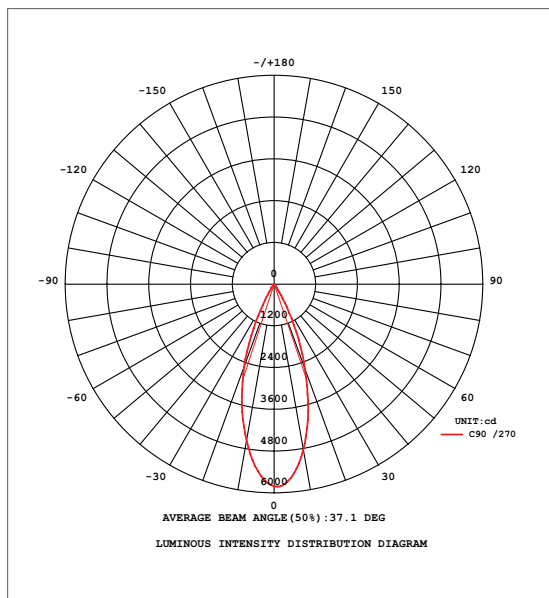
LED 15W PHOTOMETRICS LED



TE163LED | TE613LED



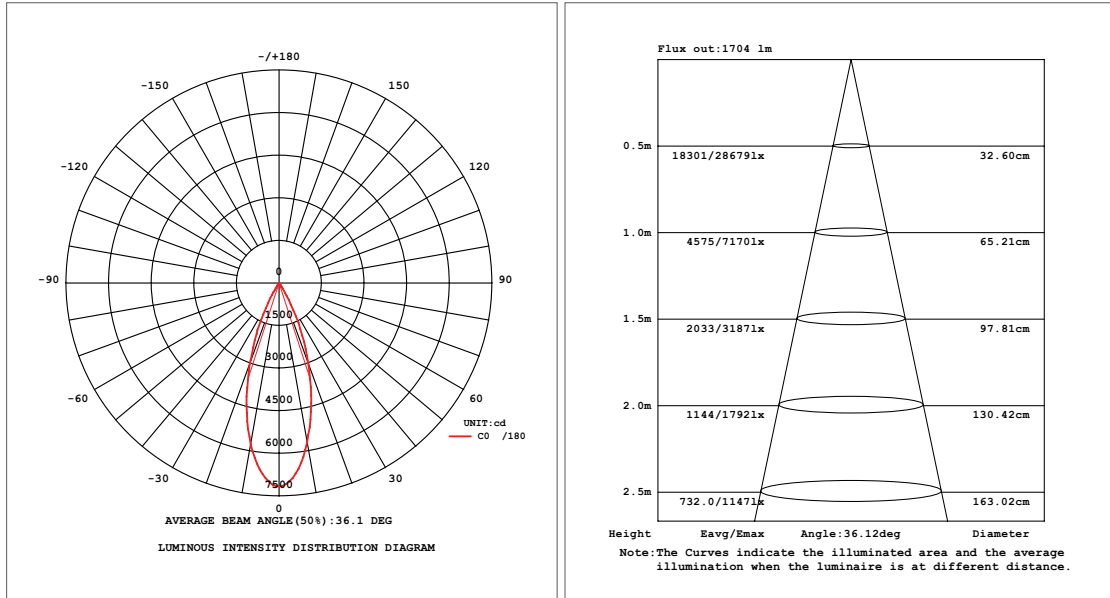
TE164BLED | TE614BLED



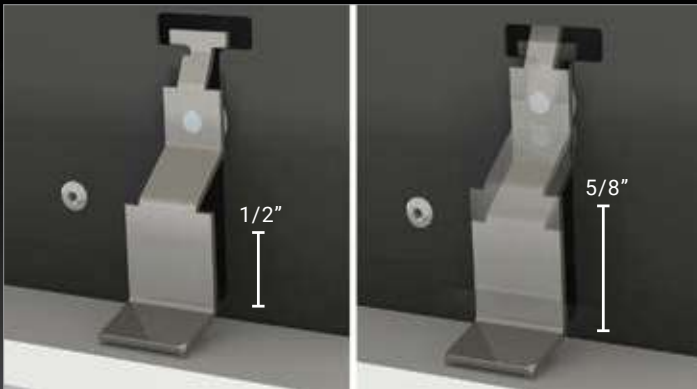
LED LED 15W PHOTOMETRICS



TE164ALED



LED 26W LED



Adjustable modifying clips for 1/2" and 5/8" drywall thickness

VERTICAL ADJUSTMENT

20 degrees of horizontal adjustment on both the X and Y axis, pin pointing light beams is quick, easy and accurate.



Quick Connector

TRIM

TRIMLESS



LED 26W GIMBAL

TE131LED



LAMPING

- 1 x 26W Integrated LED TRIAC Dimming.
For 0-10V and alternate dimming options consult Eurofase
- **Beam angle:** 20°/40°
- **Horizontal adjustment:** 0° - 20°
- **Kelvin:** 3000K/3500K/4000K
- **Lumen per head:** 2500lm
- **CRI:** 90+

ELECTRICAL

- Class 2 dimmable constant current driver (included)
- Driver box mates to fixture by 24" flexible BX cable and has one 1/2" and two 3/4" knockouts for through branch circuit wiring
- Thermally protected
- **Input voltage:** 120V
For 277V and 347V input options consult Eurofase

HOUSING

- 18 gauge powder coated steel housing
- Remodel housing complete with adjustable mounting clips suitable for 1/2" and 5/8" drywall
- New construction plate, insulated ceiling box and airtight IC box sold separately (refer to housing options)*

TRIM

- Extruded 6063 aluminum trim
- Powder coated finish
- Available in black and white

DIMENSIONS

- **Cut hole:** 6 3/4"L x 6 3/4"W
- **Fixture:** 7 3/4"L x 7 3/4"W x 7"H

PHOTOMETRICS

- See pg 182

CUSTOMIZATION

- For customization, please consult Eurofase

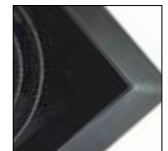
SPECIFICATIONS

LED

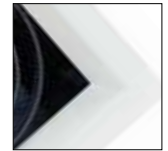
WATTS	LUMENS	KELVIN	DIMMABLE	CRI	BEAM ANGLE
26W	2500lm	3000K / 3500K 4000K	TRIAC	90+	20° / 40°



FINISHES



-01 Black/Black

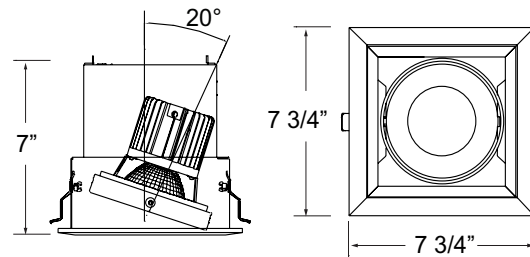


-02 White/Black



-22 White/White

PRODUCT DIMENSIONS



6 3/4"L x 6 3/4"W

ORDERING GUIDE

MODEL	KELVIN	BEAM ANGLE	FINISH
TE131LED	-30 3000K	-2 20°	-01 Black/Black
	-35 3500K	-4 40°	-02 White/Black
	-40 4000K		-22 White/White

EXAMPLE: TE131LED-30-2-01

*HOUSING OPTIONS (SOLD SEPARATELY):

Refer to page 238 for housing specification

24057-011 NEW CONSTRUCTION PLATE

30372-016 AIRTIGHT IC BOX
24077-019 INSULATED CEILING BOX



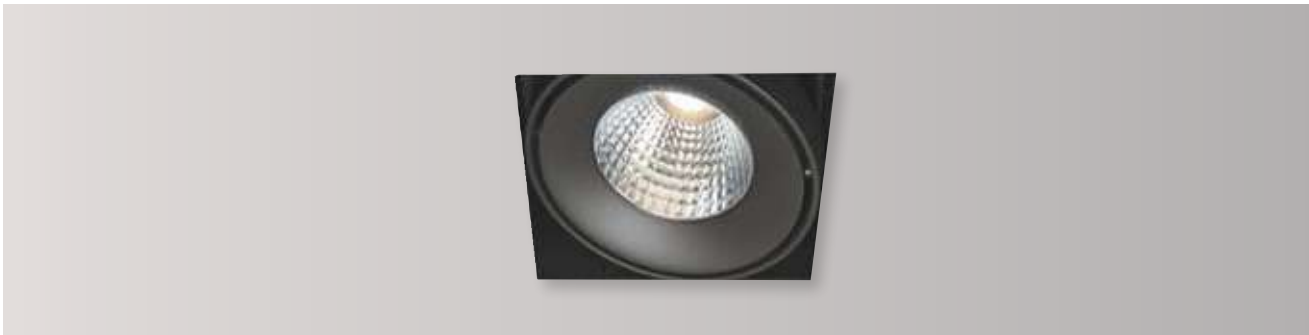
Dimension 12 3/4"L x 12 3/4"W x 1 3/8"H
Cut Hole 6 3/4"L x 6 3/4"W



Dimension 12 3/4"L x 12 3/4"W x 11 1/2"H
Cut Hole 6 3/4"L x 6 3/4"W

LED 26W TRIMLESS GIMBAL

TE221LED



LAMPING

- 1 x 26W Integrated LED TRIAC Dimming.
For 0-10V and alternate dimming options consult Eurofase
- **Beam angle:** 20°/40°
- **Horizontal adjustment:** 0° - 20°
- **Kelvin:** 3000K/3500K/4000K
- **Lumen per head:** 2500lm
- **CRI:** 90+

ELECTRICAL

- Class 2 dimmable constant current driver (included)
- Driver box mates to fixture by 24" flexible BX cable and has one 1/2" and two 3/4" knockouts for through branch circuit wiring
- Thermally protected
- **Input voltage:** 120V
For 277V and 347V input options consult Eurofase

HOUSING

- 18 gauge powder coated steel housing
- New construction plate, insulated ceiling box and airtight IC box sold separately (refer to housing options)*

MESH PLATE

- Steel mesh plate (included)
- Perforated perimeter allows mud to bond to mounting surface leaving a seamless finish in the ceiling

DIMENSIONS

- **Cut hole:** 6 1/2"L x 6 1/2"W
- **Fixture:** 6 1/4"L x 6 1/4"W x 7"H

PHOTOMETRICS

- See pg 182

CUSTOMIZATION

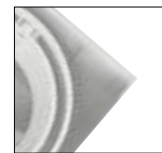
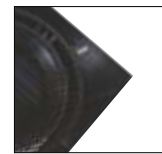
- For customization, please consult Eurofase

SPECIFICATIONS

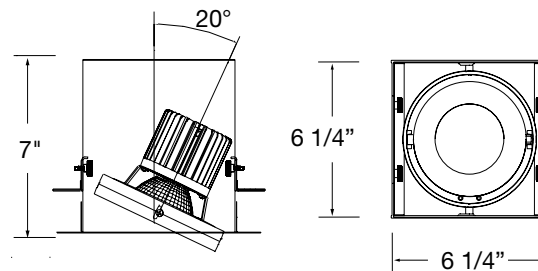
LED	WATTS	LUMENS	KELVIN	DIMMABLE	CRI	BEAM ANGLE
	26W	2500lm	3000K / 3500K 4000K	TRIAC	90+	20° / 40°



FINISHES



PRODUCT DIMENSIONS



6 1/2"L x 6 1/2"W

ORDERING GUIDE

MODEL	KELVIN	BEAM ANGLE	FINISH
TE221LED	-30 3000K	-2 20°	-01 Black/Black
	-35 3500K	-4 40°	-02 White/White
	-40 4000K		

EXAMPLE: TE221LED-30-2-01

***HOUSING OPTIONS (SOLD SEPARATELY):**

Refer to page 238 for housing specification

24067-010 NEW CONSTRUCTION PLATE

30383-012 AIRTIGHT IC BOX
24087-018 INSULATED CEILING BOX



Dimension 12 3/4"L x 12 3/4"W x 1 3/8"H
Cut Hole 6 1/2"L x 6 1/2"W



Dimension 12 3/4"L x 12 3/4"W x 11 1/2"H
Cut Hole 6 1/2"L x 6 1/2"W

LED 26W GIMBAL

TE132LED



LAMPING

- 2 x 26W Integrated LED TRIAC Dimming.
For 0-10V and alternate dimming options consult Eurofase
- **Beam angle:** 20°/40°
- **Horizontal adjustment:** 0° - 20°
- **Kelvin:** 3000K/3500K/4000K
- **Lumen per head:** 2500lm
- **Total Lumens:** 5000lm
- **CRI:** 90+

ELECTRICAL

- Class 2 dimmable constant current driver (included)
- Driver box mates to fixture by 24" flexible BX cable and has one 1/2" and two 3/4" knockouts for through branch circuit wiring
- Thermally protected
- **Input voltage:** 120V
For 277V and 347V input options consult Eurofase

HOUSING

- 18 gauge powder coated steel housing
- Remodel housing complete with adjustable mounting clips suitable for 1/2" and 5/8" drywall
- New construction plate, insulated ceiling box and airtight IC box sold separately (refer to housing options)*

TRIM

- Extruded 6063 aluminum trim
- Powder coated finish
- Available in black and white

DIMENSIONS

- **Cut hole:** 12 3/4"L x 6 3/4"W
- **Fixture:** 13 7/16"L x 7 3/4"W x 7"H

PHOTOMETRICS

- See pg 182

CUSTOMIZATION

- For customization, please consult Eurofase

ORDERING GUIDE

MODEL	KELVIN	BEAM ANGLE	FINISH
TE132LED	-30 3000K	-2 20°	-01 Black/Black
	-35 3500K	-4 40°	-02 White/Black
	-40 4000K		-22 White/White

EXAMPLE: TE132LED-30-2-01

SPECIFICATIONS

LED

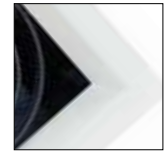
WATTS	TOTAL LUMENS	KELVIN	DIMMABLE	CRI	BEAM ANGLE
26W	5000lm	3000K / 3500K 4000K	TRIAC	90+	20° / 40°



FINISHES



-01 Black/Black

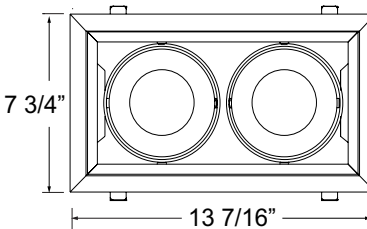
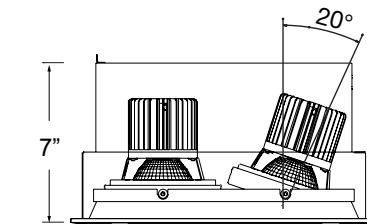


-02 White/Black



-22 White/White

PRODUCT DIMENSIONS



12 3/4"L x 6 3/4"W

*HOUSING OPTIONS (SOLD SEPARATELY):

Refer to page 238 for housing specification

24058-018 NEW CONSTRUCTION PLATE

30373-013 AIRTIGHT IC BOX
24078-016 INSULATED CEILING BOX



Dimension 20 1/4"L x 12 3/4"W x 1 3/8"H
Cut Hole 12 3/4"L x 6 3/4"W



Dimension 20 1/4"L x 12 3/4"W x 11 1/2"H
Cut Hole 12 3/4"L x 6 3/4"W

LED 26W TRIMLESS GIMBAL

TE222LED



LAMPING

- 2 x 26W Integrated LED TRIAC Dimming.
For 0-10V and alternate dimming options consult Eurofase
- **Beam angle:** 20°/40°
- **Horizontal adjustment:** 0° - 20°
- **Kelvin:** 3000K/3500K/4000K
- **Lumen per head:** 2500lm
- **Total Lumens:** 5000lm
- **CRI:** 90+

ELECTRICAL

- Class 2 dimmable constant current driver (included)
- Driver box mates to fixture by 24" flexible BX cable and has one 1/2" and two 3/4" knockouts for through branch circuit wiring
- Thermally protected
- **Input voltage:** 120V
For 277V and 347V input options consult Eurofase

HOUSING

- 18 gauge powder coated steel housing
- New construction plate, insulated ceiling box and airtight IC box sold separately (refer to housing options)*

MESH PLATE

- Steel mesh plate (included)
- Perforated perimeter allows mud to bond to mounting surface leaving a seamless finish in the ceiling

DIMENSIONS

- **Cut hole:** 12 1/2"L x 6 1/2"W
- **Fixture:** 12 3/8"L x 6 1/4"W x 7"H

PHOTOMETRICS

- See pg 182

CUSTOMIZATION

- For customization, please consult Eurofase

ORDERING GUIDE

MODEL	KELVIN	BEAM ANGLE	FINISH
TE222LED	-30 3000K	-2 20°	-01 Black/Black
	-35 3500K	-4 40°	-02 White/White
	-40 4000K		

EXAMPLE: TE222LED-30-2-01

SPECIFICATIONS

LED	WATTS	TOTAL LUMENS	KELVIN	DIMMABLE	CRI	BEAM ANGLE
	26W	5000lm	3000K / 3500K / 4000K	TRIAC	90+	20° / 40°



FINISHES

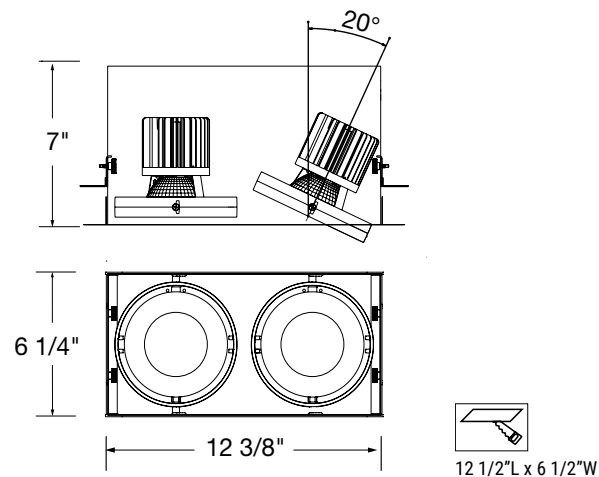


-01 Black/Black



-02 White/White

PRODUCT DIMENSIONS



***HOUSING OPTIONS (SOLD SEPARATELY):**

Refer to page 238 for housing specification

24068-017 NEW CONSTRUCTION PLATE

30384-019 AIRTIGHT IC BOX
24088-015 INSULATED CEILING BOX



Dimension 18 1/4"L x 12 3/4"W x 1 3/8"H
Cut Hole 12 1/2"L x 6 1/2"W



Dimension 18 1/4"L x 12 3/4"W x 9 1/2"H
Cut Hole 12 1/2"L x 6 1/2"W

LED 26W GIMBAL

TE133LED



LAMPING

- 3 x 26W Integrated LED TRIAC Dimming.
For 0-10V and alternate dimming options consult Eurofase
- **Beam angle:** 20°/40°
- **Horizontal adjustment:** 0° - 20°
- **Kelvin:** 3000K/3500K/4000K
- **Lumen per head:** 2500lm
- **Total Lumens:** 7500lm
- **CRI:** 90+

ELECTRICAL

- Class 2 dimmable constant current driver (included)
- Driver box mates to fixture by 24" flexible BX cable and has three 1/2" and four 3/4" knockouts for through branch circuit wiring
- Thermally protected
- **Input voltage:** 120V
For 277V and 347V input options consult Eurofase

HOUSING

- 18 gauge powder coated steel housing
- Remodel housing complete with adjustable mounting clips suitable for 1/2" and 5/8" drywall
- New construction plate, insulated ceiling box and airtight IC box sold separately (refer to housing options)*

TRIM

- Extruded 6063 aluminum trim
- Powder coated finish
- Available in black and white

DIMENSIONS

- **Cut hole:** 18"L x 6 3/4"W
- **Fixture:** 18 13/16"L x 7 3/4"W x 7"H

PHOTOMETRICS

- See pg 183

CUSTOMIZATION

- For customization, please consult Eurofase

ORDERING GUIDE

MODEL	KELVIN	BEAM ANGLE	FINISH
TE133LED	-30 3000K	-2 20°	-01 Black/Black
	-35 3500K	-4 40°	-02 White/Black
	-40 4000K		-22 White/White

EXAMPLE: TE133LED-30-2-01

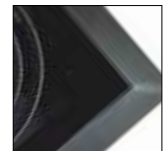
SPECIFICATIONS

LED

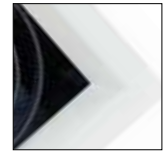
WATTS	TOTAL LUMENS	KELVIN	DIMMABLE	CRI	BEAM ANGLE
26W	7500lm	3000K / 3500K 4000K	TRIAC	90+	20° / 40°



FINISHES



-01 Black/Black

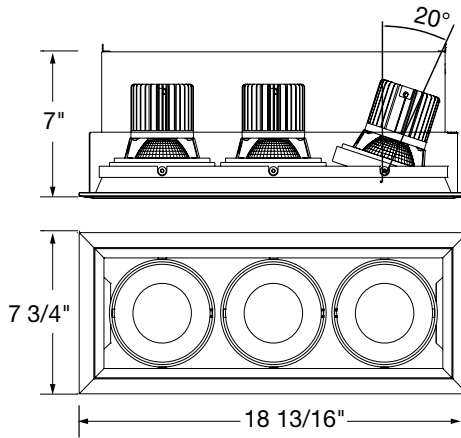


-02 White/Black



-22 White/White

PRODUCT DIMENSIONS



18"L x 6 3/4"W

*HOUSING OPTIONS (SOLD SEPARATELY):

Refer to page 238 for housing specification

24059-015 NEW CONSTRUCTION PLATE



Dimension 27 1/4"L x 12 3/4"W x 1 3/8"H
Cut Hole 18"L x 6 3/4"W

30374-010 AIRTIGHT IC BOX
24079-013 INSULATED CEILING BOX



Dimension 27 1/4"L x 12 3/4"W x 1 1/2"H
Cut Hole 18"L x 6 3/4"W

LED 26W TRIMLESS GIMBAL

TE223LED



LAMPING

- 3 x 26W Integrated LED TRIAC Dimming.
For 0-10V and alternate dimming options consult Eurofase
- **Beam angle:** 20°/40°
- **Horizontal adjustment:** 0° - 20°
- **Kelvin:** 3000K/3500K/4000K
- **Lumen per head:** 2500lm
- **Total Lumens:** 7500lm
- **CRI:** 90+

ELECTRICAL

- Class 2 dimmable constant current driver (included)
- Driver box mates to fixture by 24" flexible BX cable and has three 1/2" and four 3/4" knockouts for through branch circuit wiring
- Thermally protected
- **Input voltage:** 120V
For 277V and 347V input options consult Eurofase

HOUSING

- 18 gauge powder coated steel housing
- New construction plate, insulated ceiling box and airtight IC box sold separately (refer to housing options) *

MESH PLATE

- Steel mesh plate (included)
- Perforated perimeter allows mud to bond to mounting surface leaving a seamless finish in the ceiling

DIMENSIONS

- **Cut hole:** 18 5/8"L x 6 1/2"W
- **Fixture:** 18 1/2"L x 6 1/4"W x 7"H

PHOTOMETRICS

- See pg 183

CUSTOMIZATION

- For customization, please consult Eurofase

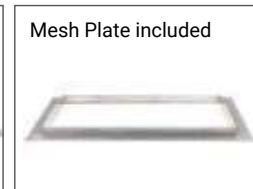
ORDERING GUIDE

MODEL	KELVIN	BEAM ANGLE	FINISH
TE223LED	-30 3000K	-2 20°	-01 Black/Black
	-35 3500K	-4 40°	-02 White/White
	-40 4000K		

EXAMPLE: TE223LED-30-2-01

SPECIFICATIONS

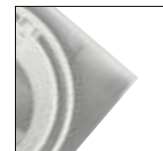
LED	WATTS	TOTAL LUMENS	KELVIN	DIMMABLE	CRI	BEAM ANGLE
	26W	7500lm	3000K / 3500K 4000K	TRIAC	90+	20° / 40°



FINISHES

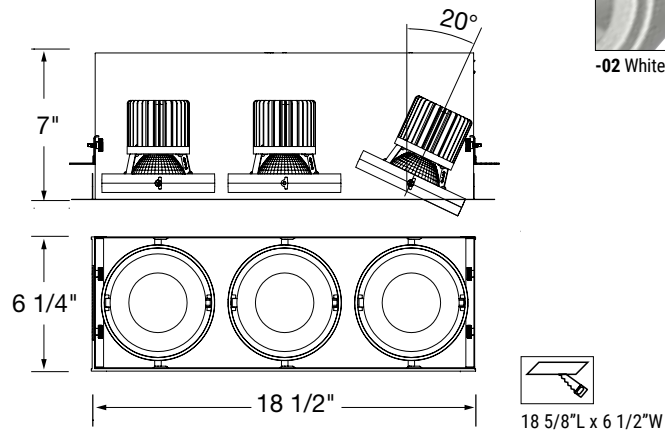


-01 Black/Black



-02 White/White

PRODUCT DIMENSIONS



***HOUSING OPTIONS (SOLD SEPARATELY):**

24069-014 NEW CONSTRUCTION PLATE



Dimension 24"L x 12 3/4"W x 1 3/8"H
Cut Hole 18 5/8"L x 6 1/2"W

Refer to page 238 for housing specification

30385-016 AIRTIGHT IC BOX
24089-012 INSULATED CEILING BOX



Dimension 24"L x 12 3/4"W x 11 1/2"H
Cut Hole 18 5/8"L x 6 1/2"W

LED 26W GIMBAL

TE134BLED



LAMPING

- 4 x 26W Integrated LED TRIAC Dimming.
For 0-10V and alternate dimming options consult Eurofase
- **Beam angle:** 20°/40°
- **Horizontal adjustment:** 0° - 20°
- **Kelvin:** 3000K/3500K/4000K
- **Lumen per head:** 2500lm
- **Total Lumens:** 10000lm
- **CRI:** 90+

ELECTRICAL

- Class 2 dimmable constant current driver (included)
- Driver box mates to fixture by 24" flexible BX cable and has three 1/2" and four 3/4" knockouts for through branch circuit wiring
- Thermally protected
- **Input voltage:** 120V
For 277V and 347V input options consult Eurofase

HOUSING

- 18 gauge powder coated steel housing
- Remodel housing complete with adjustable mounting clips suitable for 1/2" and 5/8" drywall
- New construction plate, insulated ceiling box and airtight IC box sold separately (refer to housing options)*

TRIM

- Extruded 6063 aluminum trim
- Powder coated finish
- Available in black and white

DIMENSIONS

- **Cut hole:** 12 3/4"L x 12 3/4"W
- **Fixture:** 13 3/8"L x 13 3/8"W x 7"H

PHOTOMETRICS

- See pg 183

CUSTOMIZATION

- For customization, please consult Eurofase

ORDERING GUIDE

MODEL	KELVIN	BEAM ANGLE	FINISH
TE134BLED	-30 3000K	-2 20°	-01 Black/Black
	-35 3500K	-4 40°	-02 White/Black
	-40 4000K		-22 White/White

EXAMPLE: TE134BLED-30-2-01

SPECIFICATIONS

LED

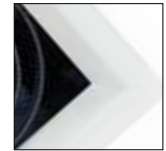
WATTS	TOTAL LUMENS	KELVIN	DIMMABLE	CRI	BEAM ANGLE
26W	10000lm	3000K / 3500K 4000K	TRIAC	90+	20° / 40°



FINISHES



-01 Black/Black

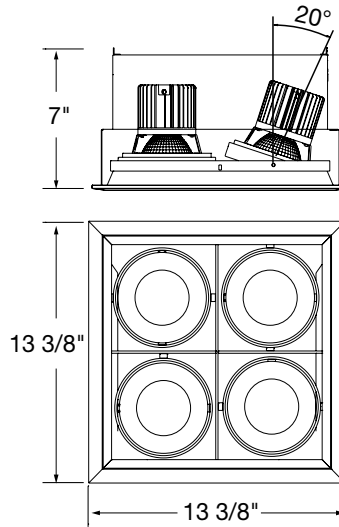


-02 White/Black



-22 White/White

PRODUCT DIMENSIONS



12 3/4"L x 12 3/4"W

*HOUSING OPTIONS (SOLD SEPARATELY):

24061-018 NEW CONSTRUCTION PLATE



Dimension 20"L x 18"W x 1 3/8"H
Cut Hole 12 3/4"L x 12 3/4"W

Refer to page 238 for housing specification

30376-014 AIRTIGHT IC BOX
24081-016 INSULATED CEILING BOX



Dimension 20"L x 18"W x 11 1/2"H
Cut Hole 12 3/4"L x 12 3/4"W

LED 26W TRIMLESS GIMBAL

TE224BLED



LAMPING

- 4 x 26W Integrated LED TRIAC Dimming.
For 0-10V and alternate dimming options consult Eurofase
- **Beam angle:** 20°/40°
- **Horizontal adjustment:** 0° - 20°
- **Kelvin:** 3000K/3500K/4000K
- **Lumen per head:** 2500lm
- **Total Lumens:** 10000lm
- **CRI:** 90+

ELECTRICAL

- Class 2 dimmable constant current driver (included)
- Driver box mates to fixture by 24" flexible BX cable and has three 1/2" and four 3/4" knockouts for through branch circuit wiring
- Thermally protected
- **Input voltage:** 120V
For 277V and 347V input options consult Eurofase

HOUSING

- 18 gauge powder coated steel housing
- New construction plate, insulated ceiling box and airtight IC box sold separately (refer to housing options)*

MESH PLATE

- Steel mesh plate (included)
- Perforated perimeter allows mud to bond to mounting surface leaving a seamless finish in the ceiling

DIMENSIONS

- **Cut hole:** 13"L x 13"W
- **Fixture:** 12 5/8"L x 12 5/8"W x 7"H

PHOTOMETRICS

- See pg 183

CUSTOMIZATION

- For customization, please consult Eurofase

ORDERING GUIDE

MODEL	KELVIN	BEAM ANGLE	FINISH
TE224BLED	-30 3000K	-2 20°	-01 Black/Black
	-35 3500K	-4 40°	-02 White/White
	-40 4000K		

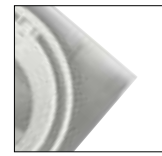
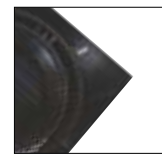
EXAMPLE: TE224BLED-30-2-01

SPECIFICATIONS

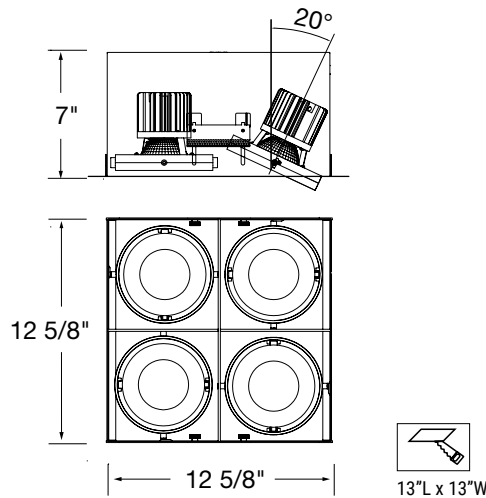
LED	WATTS	TOTAL LUMENS	KELVIN	DIMMABLE	CRI	BEAM ANGLE
	26W	10000lm	3000K / 3500K 4000K	TRIAC	90+	20° / 40°



FINISHES



PRODUCT DIMENSIONS



***HOUSING OPTIONS (SOLD SEPARATELY):**

Refer to page 238 for housing specification

24070-010 NEW CONSTRUCTION PLATE

30386-013 AIRTIGHT IC BOX
24090-018 INSULATED CEILING BOX



Dimension 20"L x 18"W x 1 3/8"H
Cut Hole 13"L x 13"W



Dimension 20"L x 18"W x 11 1/2"H
Cut Hole 13"L x 13"W

LED 26W GIMBAL

TE134ALED



LAMPING

- 4 x 26W Integrated LED TRIAC Dimming.
For 0-10V and alternate dimming options consult Eurofase
- **Beam angle:** 20°/40°
- **Horizontal adjustment:** 0° - 20°
- **Kelvin:** 3000K/3500K/4000K
- **Lumen per head:** 2500lm
- **Total Lumens:** 10000lm
- **CRI:** 90+

ELECTRICAL

- Class 2 dimmable constant current driver (included)
- Driver box mates to fixture by 24" flexible BX cable and has three 1/2" and four 3/4" knockouts for through branch circuit wiring
- Thermally protected
- **Input voltage:** 120V
For 277V and 347V input options consult Eurofase

HOUSING

- 18 gauge powder coated steel housing
- Remodel housing complete with adjustable mounting clips suitable for 1/2" and 5/8" drywall
- New construction plate, insulated ceiling box and airtight IC box sold separately (refer to housing options)*

TRIM

- Extruded 6063 aluminum trim
- Powder coated finish
- Available in black and white

DIMENSIONS

- **Cut hole:** 23 5/8"L x 6 3/4"W
- **Fixture:** 24 1/4"L x 7 3/4"W x 7"H

PHOTOMETRICS

- See pg 184

CUSTOMIZATION

- For customization, please consult Eurofase

ORDERING GUIDE

MODEL	KELVIN	BEAM ANGLE	FINISH
TE134ALED	-30 3000K	-2 20°	-01 Black/Black
	-35 3500K	-4 40°	-02 White/Black
	-40 4000K		-22 White/White

EXAMPLE: TE134ALED-30-2-01

SPECIFICATIONS

LED

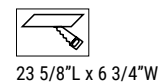
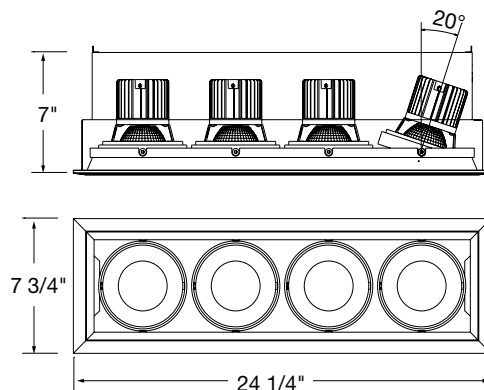
WATTS	TOTAL LUMENS	KELVIN	DIMMABLE	CRI	BEAM ANGLE
26W	10000lm	3000K / 3500K 4000K	TRIAC	90+	20° / 40°



FINISHES



PRODUCT DIMENSIONS



*HOUSING OPTIONS (SOLD SEPARATELY):

Refer to page 238 for housing specification

24060-011 NEW CONSTRUCTION PLATE

30375-017 AIRTIGHT IC BOX
24080-019 INSULATED CEILING BOX



Dimension 34"L x 12 3/4"W x 1 3/8"H
Cut Hole 23 5/8"L x 6 3/4"W

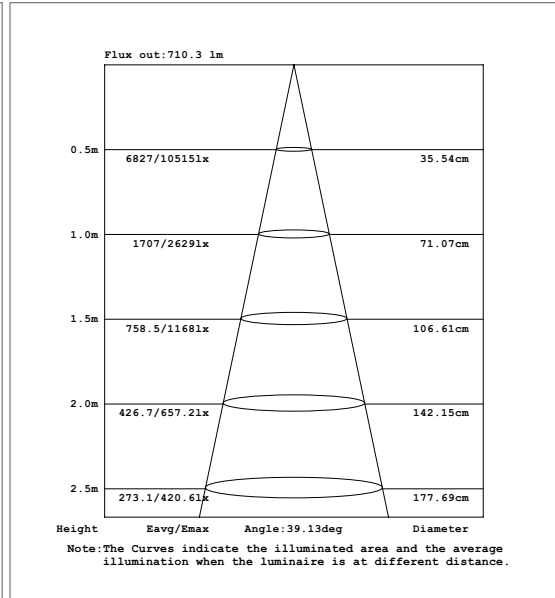
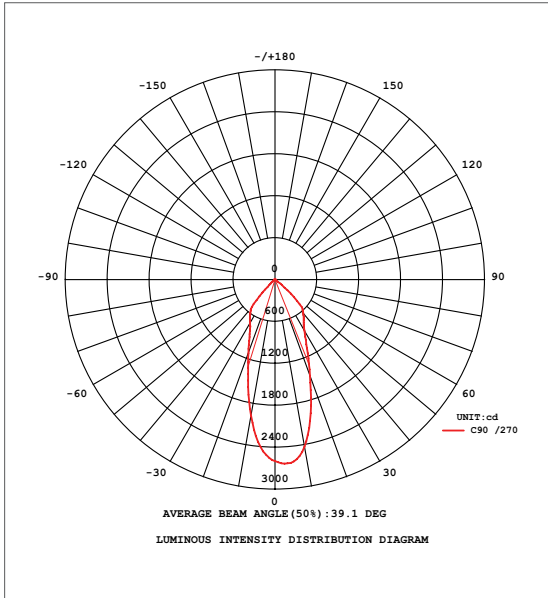


Dimension 34"L x 12 3/4"W x 11 1/2"H
Cut Hole 23 5/8"L x 6 3/4"W

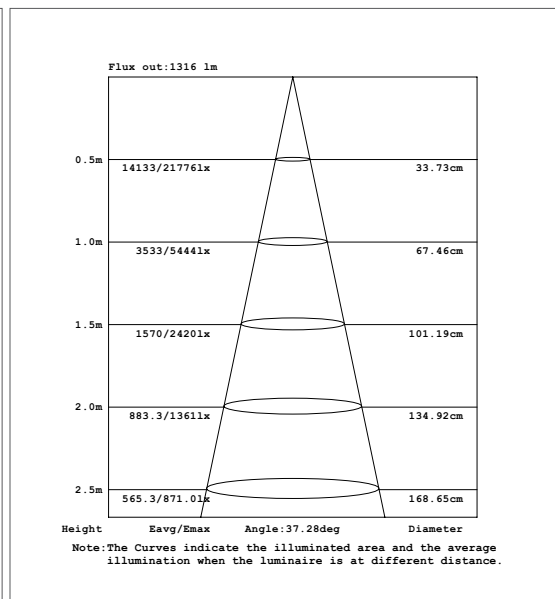
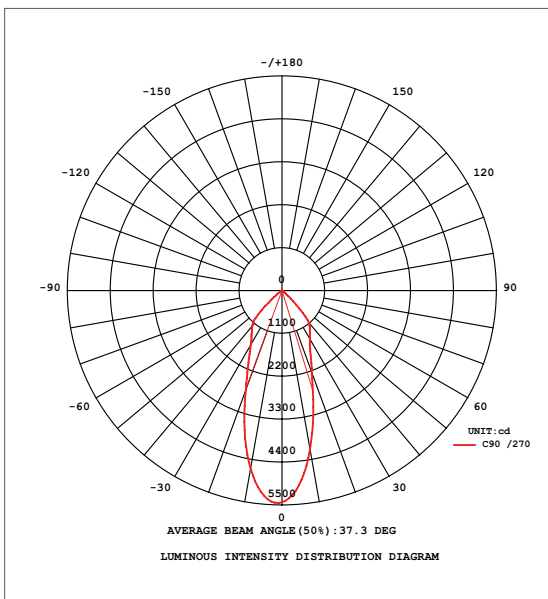
LED 26W PHOTOMETRICS



TE131LED | TE221LED



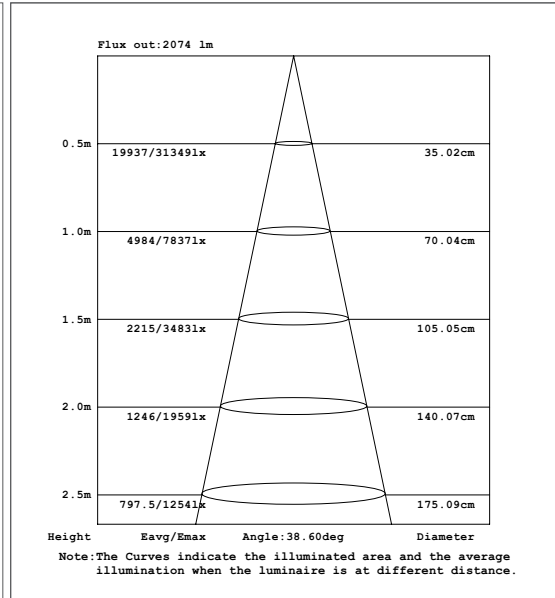
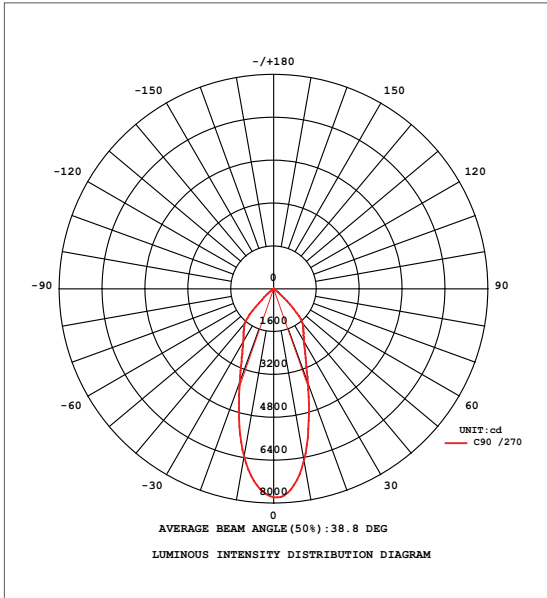
TE132LED | TE222LED



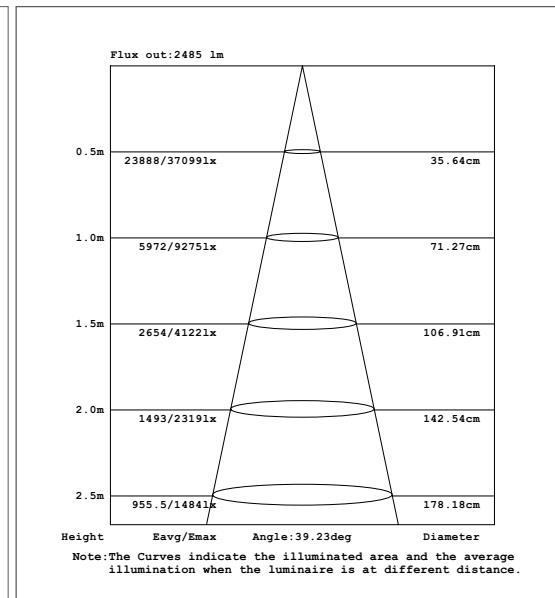
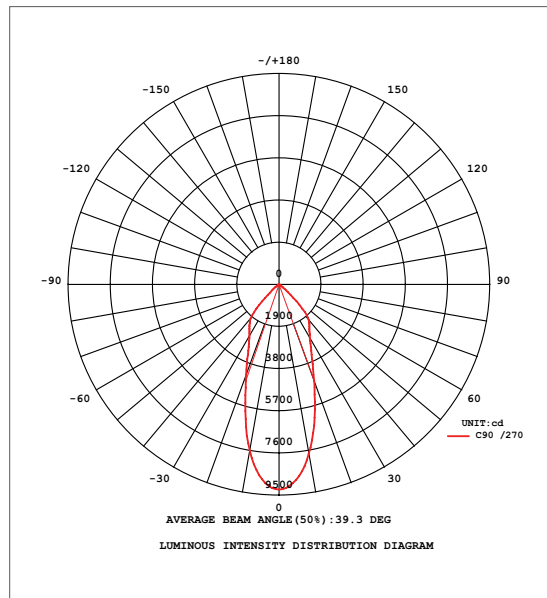
LED 26W PHOTOMETRICS LED



TE133LED | TE223LED



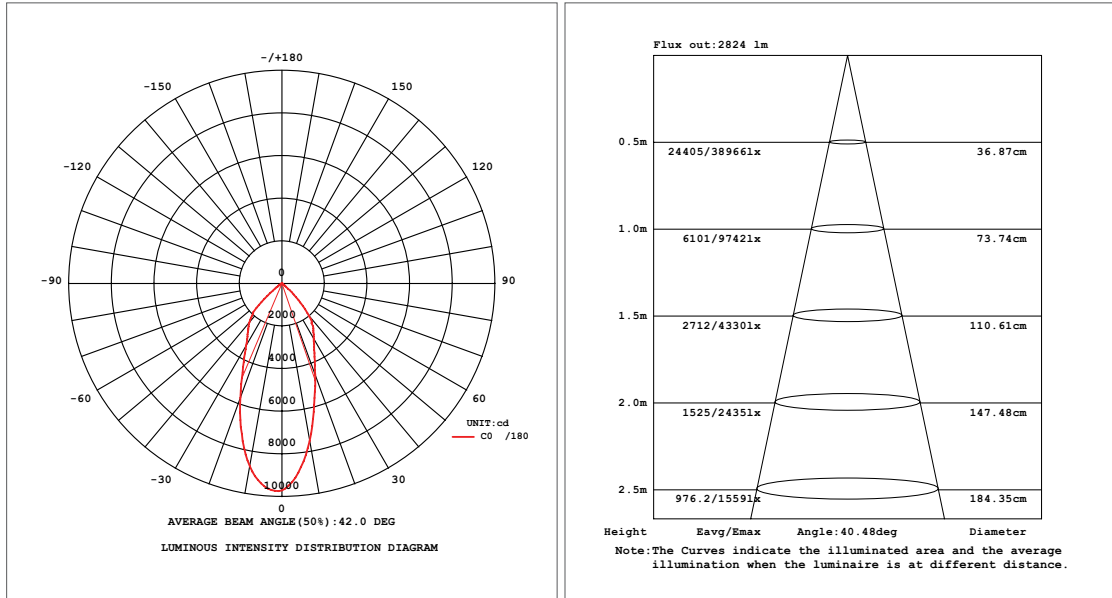
TE134BLED | TE224BLED



LED 26W PHOTOMETRICS



TE134ALED



GU10



LED LED COMPATIBLE



Finish Options



BLACK / BLACK



WHITE / BLACK



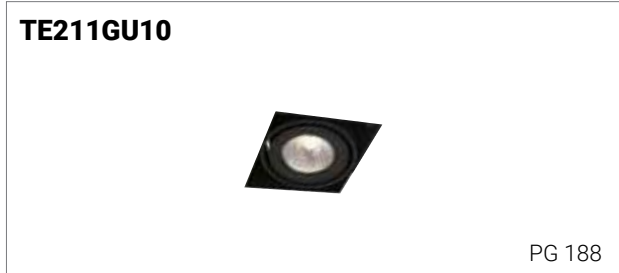
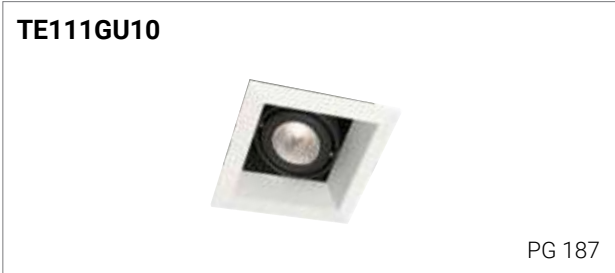
WHITE / WHITE

LED LED COMPATIBLE

GU10

TRIM

TRIMLESS



GU10 GIMBAL



TE111GU10



LAMPING

- 1 x 50W max. GU10 (not included)
- **Horizontal adjustment:** 0° - 35°

ELECTRICAL

- Integral electrical junction box
- Junction box has two 1/2" and four 3/4" knockouts for through branch circuit wiring
- Thermally protected
- **Input voltage:** 120V

HOUSING

- 18 gauge powder coated steel housing
- Remodel housing complete with adjustable mounting clips suitable for 1/2" and 5/8" drywall
- New construction plate, insulated ceiling box and airtight IC box sold separately (refer to housing options)*

TRIM

- Extruded 6063 aluminum trim
- Powder coated finish
- Available in black and white

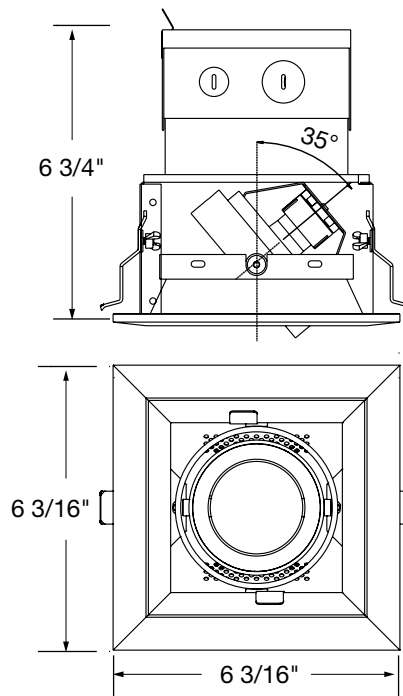
DIMENSIONS

- **Cut hole:** 5 1/8"L x 5 1/8"W
- **Fixture:** 6 3/16"L x 6 3/16"W x 6 3/4"H

CUSTOMIZATION

- For customization, please consult Eurofase

PRODUCT DIMENSIONS



FINISHES



-01 Black/Black



-02 White/Black



-22 White/White

ORDERING GUIDE

MODEL	FINISH
TE111GU10	-01 Black/Black
	-02 White/Black
	-22 White/White



5 1/8"L x 5 1/8"W

EXAMPLE: TE111GU10-01

***HOUSING OPTIONS (SOLD SEPARATELY):** *Refer to page 239 for housing specification*

24051-019 NEW CONSTRUCTION PLATE



Dimension 11 1/4"L x 12 3/4"W x 1 3/8"H
Cut Hole 5 1/8"L x 5 1/8"W

30366-015 AIRTIGHT IC BOX
24071-017 INSULATED CEILING BOX



Dimension 11 1/4"L x 12 3/4"W x 11 1/2"H
Cut Hole 5 1/8"L x 5 1/8"W



GU10 TRIMLESS GIMBAL

TE211GU10



LAMPING

- 1 x 50W max. GU10 (not included)
- **Horizontal adjustment:** 0° - 35°

ELECTRICAL

- Integral electrical junction box
- Junction box has two 1/2" and four 3/4" knockouts for through branch circuit wiring
- Thermally protected
- **Input voltage:** 120V

HOUSING

- 18 gauge powder coated steel housing
- Remodel housing complete with adjustable mounting clips suitable for 1/2" and 5/8" drywall
- New construction plate, insulated ceiling box and airtight IC box sold separately (refer to housing options)*

MESH PLATE

- Steel mesh plate (included)
- Perforated perimeter allows mud to bond to mounting surface leaving a seamless finish in the ceiling

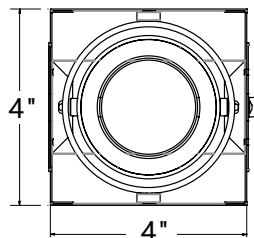
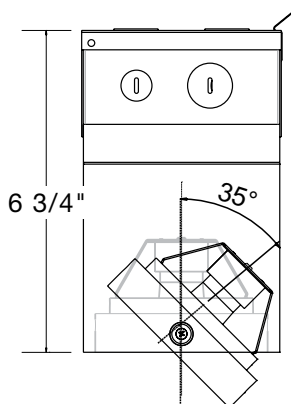
DIMENSIONS

- **Cut hole:** 4 3/16"L x 4 3/16"W
- **Fixture:** 4"L x 4"W x 6 3/4"H

CUSTOMIZATION

- For customization, please consult Eurofase

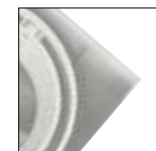
PRODUCT DIMENSIONS



FINISHES



-01 Black/Black



-02 White/White

ORDERING GUIDE

MODEL	FINISH
TE211GU10	-01 Black/Black
	-02 White/White

EXAMPLE: TE211GU10-01



4 3/16"L x 4 3/16"W

Mesh Plate included



***HOUSING OPTIONS (SOLD SEPARATELY):**

Refer to page 240 for housing specification

24063-012 NEW CONSTRUCTION PLATE

30378-018 AIRTIGHT IC BOX
24083-010 INSULATED CEILING BOX



Dimension 11"L x 9"W x 1 3/8"H
Cut Hole 4 3/16"L x 4 3/16"W



Dimension 11"L x 9"W x 9 1/2"H
Cut Hole 4 3/16"L x 4 3/16"W

GU10 GIMBAL



TE112GU10



LAMPING

- 2 x 50W max. GU10 (not included)
- **Horizontal adjustment:** 0° - 35°

ELECTRICAL

- Integral electrical junction box
- Junction box has two 1/2" and four 3/4" knockouts for through branch circuit wiring
- Thermally protected
- **Input voltage:** 120V

HOUSING

- 18 gauge powder coated steel housing
- Remodel housing complete with adjustable mounting clips suitable for 1/2" and 5/8" drywall
- New construction plate, insulated ceiling box and airtight IC box sold separately (refer to housing options)*

TRIM

- Extruded 6063 aluminum trim
- Powder coated finish
- Available in black and white

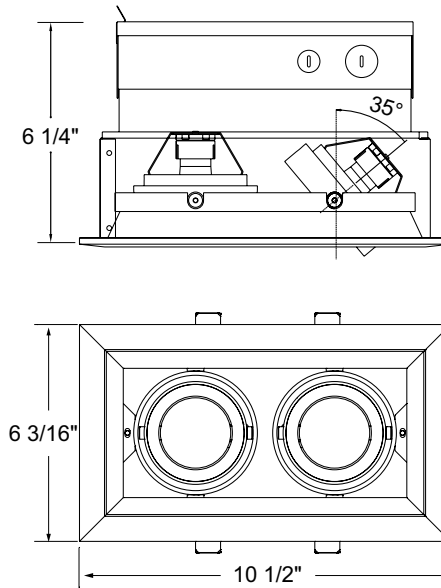
DIMENSIONS

- **Cut hole:** 9 1/2"L x 5 1/8"W
- **Fixture:** 10 1/2"L x 6 3/16"W x 6 1/4"H

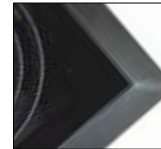
CUSTOMIZATION

- For customization, please consult Eurofase

PRODUCT DIMENSIONS



FINISHES



-01 Black/Black



-02 White/Black



-22 White/White



9 1/2"L x 5 1/8"W

ORDERING GUIDE

MODEL	FINISH
TE112GU10	-01 Black/Black
	-02 White/Black
	-22 White/White

EXAMPLE: TE112GU10-01

*HOUSING OPTIONS (SOLD SEPARATELY):

Refer to page 239 for housing specification

24052-016 NEW CONSTRUCTION PLATE

30367-012 AIRTIGHT IC BOX
24072-014 INSULATED CEILING BOX



Dimension 17"L x 12 3/4"W x 1 3/8"H
Cut Hole 9 1/2"L x 5 1/8"W



Dimension 17"L x 12 3/4"W x 11 1/2"H
Cut Hole 9 1/2"L x 5 1/8"W

LED LED COMPATIBLE

GU10 TRIMLESS GIMBAL

TE212GU10



LAMPING

- 2 x 50W max. GU10 (not included)
- **Horizontal adjustment:** 0° - 35°

ELECTRICAL

- Integral electrical junction box
- Junction box has two 1/2" and four 3/4" knockouts for through branch circuit wiring
- Thermally protected
- **Input voltage:** 120V

HOUSING

- 18 gauge powder coated steel housing
- Remodel housing complete with adjustable mounting clips suitable for 1/2" and 5/8" drywall
- New construction plate, insulated ceiling box and airtight IC box sold separately (refer to housing options)*

MESH PLATE

- Steel mesh plate (included)
- Perforated perimeter allows mud to bond to mounting surface leaving a seamless finish in the ceiling

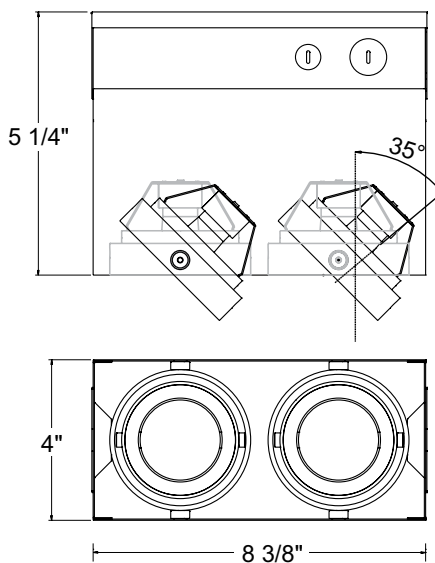
DIMENSIONS

- **Cut hole:** 8 5/8"L x 4 3/16"W
- **Fixture:** 8 3/8"L x 4"W x 5 1/4"H

CUSTOMIZATION

- For customization, please consult Eurofase

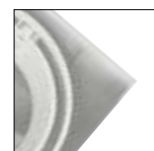
PRODUCT DIMENSIONS



FINISHES



-01 Black/Black



-02 White/White



8 5/8"L x 4 3/16"W

ORDERING GUIDE

MODEL	FINISH
TE212GU10	-01 Black/Black
	-02 White/White

EXAMPLE: TE212GU10-01



***HOUSING OPTIONS (SOLD SEPARATELY):**

Refer to page 240 for housing specification

24064-019 NEW CONSTRUCTION PLATE

30379-015 AIRTIGHT IC BOX
24084-017 INSULATED CEILING BOX



Dimension 12"L x 8 3/4"W x 1 3/8"H
Cut Hole 8 9/16"L x 4 3/16"W



Dimension 12"L x 8 3/4"W x 9 1/2"H
Cut Hole 8 9/16"L x 4 3/16"W

GU10 GIMBAL



TE113GU10



LAMPING

- 3 x 50W max. GU10 (not included)
- **Horizontal adjustment:** 0° - 35°

ELECTRICAL

- Integral electrical junction box
- Junction box has two 1/2" and four 3/4" knockouts for through branch circuit wiring
- Thermally protected
- **Input voltage:** 120V

HOUSING

- 18 gauge powder coated steel housing
- Remodel housing complete with adjustable mounting clips suitable for 1/2" and 5/8" drywall
- New construction plate, insulated ceiling box and airtight IC box sold separately (refer to housing options)*

TRIM

- Extruded 6063 aluminum trim
- Powder coated finish
- Available in black and white

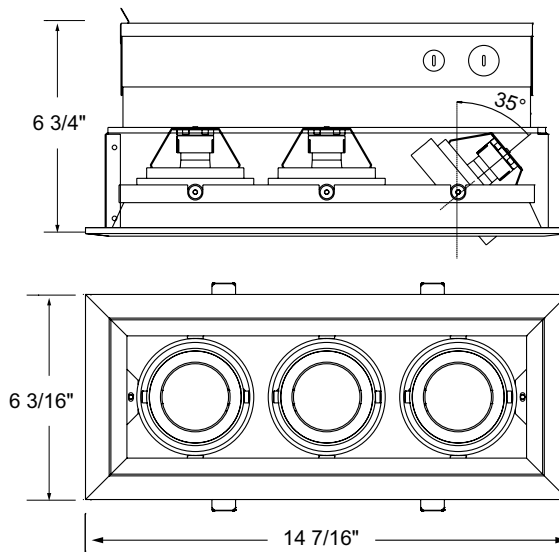
DIMENSIONS

- **Cut hole:** 13 5/8"L x 5 1/8"W
- **Fixture:** 14 7/16"L x 6 3/16"W x 6 3/4"H

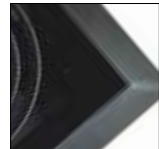
CUSTOMIZATION

- For customization, please consult Eurofase

PRODUCT DIMENSIONS



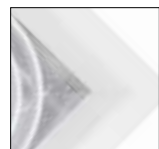
FINISHES



-01 Black/Black



-02 White/Black



-22 White/White



13 5/8"L x 5 1/8"W

ORDERING GUIDE

MODEL	FINISH
TE113GU10	-01 Black/Black
	-02 White/Black
	-22 White/White

EXAMPLE: TE113GU10-01

*HOUSING OPTIONS (SOLD SEPARATELY):

24053-013 NEW CONSTRUCTION PLATE



Dimension 22"L x 12 3/4"W x 1 3/8"H
Cut Hole 13 5/8"L x 5 1/8"W

Refer to page 239 for housing specification

30368-019 AIRTIGHT IC BOX
24073-011 INSULATED CEILING BOX



Dimension 22"L x 12 3/4"W x 11 1/2"H
Cut Hole 13 5/8"L x 5 1/8"W



GU10 TRIMLESS GIMBAL

TE213GU10



LAMPING

- 3 x 50W max. GU10 (not included)
- **Horizontal adjustment:** 0° - 35°

ELECTRICAL

- Integral electrical junction box
- Junction box has two 1/2" and four 3/4" knockouts for through branch circuit wiring
- Thermally protected
- **Input voltage:** 120V

HOUSING

- 18 gauge powder coated steel housing
- Remodel housing complete with adjustable mounting clips suitable for 1/2" and 5/8" drywall
- New construction plate, insulated ceiling box and airtight IC box sold separately (refer to housing options)*

MESH PLATE

- Steel mesh plate (included)
- Perforated perimeter allows mud to bond to mounting surface leaving a seamless finish in the ceiling

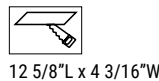
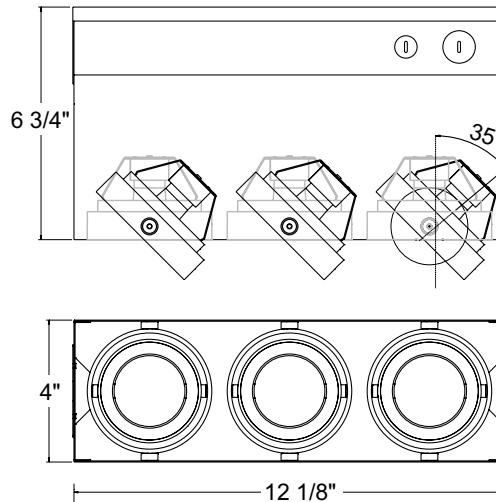
DIMENSIONS

- **Cut hole:** 12 5/8"L x 4 3/16"W
- **Fixture:** 12 1/8"L x 4"W x 6 3/4"H

CUSTOMIZATION

- For customization, please consult Eurofase

PRODUCT DIMENSIONS



FINISHES



-01 Black/Black

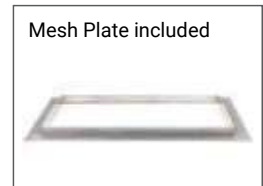


-02 White/White

ORDERING GUIDE

MODEL	FINISH
TE213GU10	-01 Black/Black
	-02 White/White

EXAMPLE: TE213GU10-01



***HOUSING OPTIONS (SOLD SEPARATELY):**

Refer to page 240 for housing specification

24065-016 NEW CONSTRUCTION PLATE

30380-011 AIRTIGHT IC BOX
24085-014 INSULATED CEILING BOX



Dimension 19 3/4"L x 8 3/4"W x 1 3/8"H
Cut Hole 12 5/8"L x 4 3/16"W



Dimension 19 3/4"L x 8 3/4"W x 9 1/2"H
Cut Hole 12 5/8"L x 4 3/16"W

GU10 GIMBAL



TE114BGU10



LAMPING

- 4 x 50W max. GU10 (not included)
- **Horizontal adjustment:** 0° - 35°

ELECTRICAL

- Integral electrical junction box
- Junction box has two 1/2" and four 3/4" knockouts for through branch circuit wiring
- Thermally protected
- **Input voltage:** 120V

HOUSING

- 18 gauge powder coated steel housing
- Remodel housing complete with adjustable mounting clips suitable for 1/2" and 5/8" drywall
- New construction plate, insulated ceiling box and airtight IC box sold separately (refer to housing options)*

TRIM

- Extruded 6063 aluminum trim
- Powder coated finish
- Available in black and white

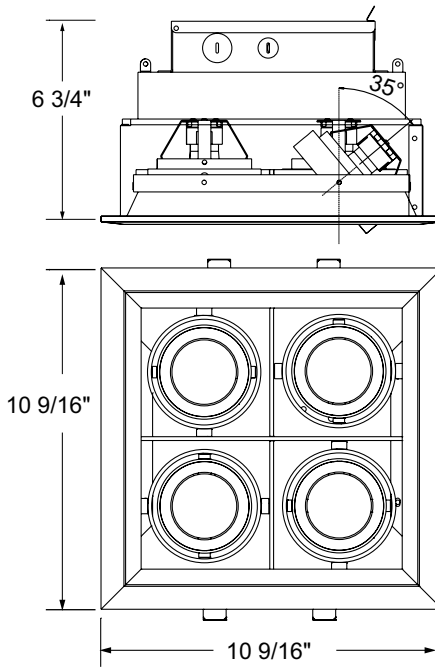
DIMENSIONS

- **Cut hole:** 9 1/2"L x 9 1/2"W
- **Fixture:** 10 9/16"L x 10 9/16"W x 6 3/4"H

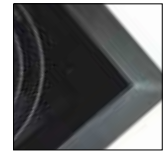
CUSTOMIZATION

- For customization, please consult Eurofase

PRODUCT DIMENSIONS



FINISHES



-01 Black/Black



-02 White/Black



-22 White/White

ORDERING GUIDE

MODEL	FINISH
TE114BGU10	-01 Black/Black
	-02 White/Black
	-22 White/White



9 1/2"L x 9 1/2"W

EXAMPLE: TE114BGU10-01

***HOUSING OPTIONS (SOLD SEPARATELY):**

Refer to page 239 for housing specification

24055-017 NEW CONSTRUCTION PLATE

30370-012 AIRTIGHT IC BOX
24075-015 INSULATED CEILING BOX



Dimension 24"L x 18"W x 1 3/8"H
Cut Hole 9 1/2"L x 9 1/2"W



Dimension 24"L x 18"W x 11 1/2"H
Cut Hole 9 1/2"L x 9 1/2"W



GU10 TRIMLESS GIMBAL

TE214BGU10



LAMPING

- 4 x 50W max. GU10 (not included)
- **Horizontal adjustment:** 0° - 35°

ELECTRICAL

- Integral electrical junction box
- Junction box has two 1/2" and four 3/4" knockouts for through branch circuit wiring
- Thermally protected
- **Input voltage:** 120V

HOUSING

- 18 gauge powder coated steel housing
- Remodel housing complete with adjustable mounting clips suitable for 1/2" and 5/8" drywall
- New construction plate, insulated ceiling box and airtight IC box sold separately (refer to housing options)*

MESH PLATE

- Steel mesh plate (included)
- Perforated perimeter allows mud to bond to mounting surface leaving a seamless finish in the ceiling

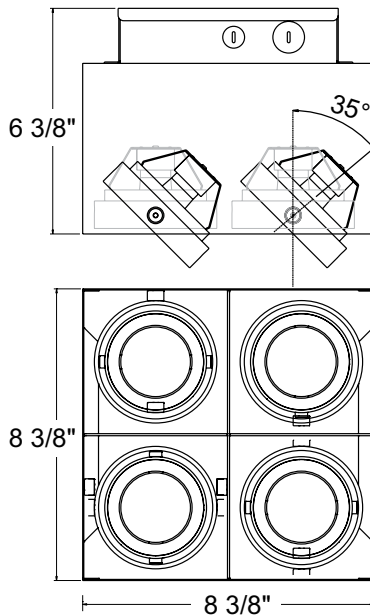
DIMENSIONS

- **Cut hole:** 8 9/16"L x 8 9/16"W
- **Fixture:** 8 3/8"L x 8 3/8"W x 6 3/8"H

CUSTOMIZATION

- For customization, please consult Eurofase

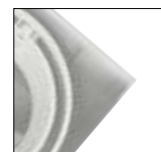
PRODUCT DIMENSIONS



FINISHES



-01 Black/Black



-02 White/White

ORDERING GUIDE

MODEL	FINISH
TE214BGU10	-01 Black/Black
	-02 White/White

EXAMPLE: TE214BGU10-01



8 9/16"L x 8 9/16"W



***HOUSING OPTIONS (SOLD SEPARATELY):**

Refer to page 240 for housing specification

24066-020 NEW CONSTRUCTION PLATE

30382-015 AIRTIGHT IC BOX
24086-028 INSULATED CEILING BOX



Dimension 20"L x 18"W x 1 3/8"H
Cut Hole 8 9/16"L x 8 9/16"W



Dimension 20"L x 18"W x 11 1/2"H
Cut Hole 8 9/16"L x 8 9/16"W

GU10 GIMBAL



TE114AGU10



LAMPING

- 4 x 50W max. GU10 (not included)
- **Horizontal adjustment:** 0° - 35°

ELECTRICAL

- Integral electrical junction box
- Junction box has two 1/2" and four 3/4" knockouts for through branch circuit wiring
- Thermally protected
- **Input voltage:** 120V

HOUSING

- 18 gauge powder coated steel housing
- Remodel housing complete with adjustable mounting clips suitable for 1/2" and 5/8" drywall
- New construction plate, insulated ceiling box and airtight IC box sold separately (refer to housing options)*

TRIM

- Extruded 6063 aluminum trim
- Powder coated finish
- Available in black and white

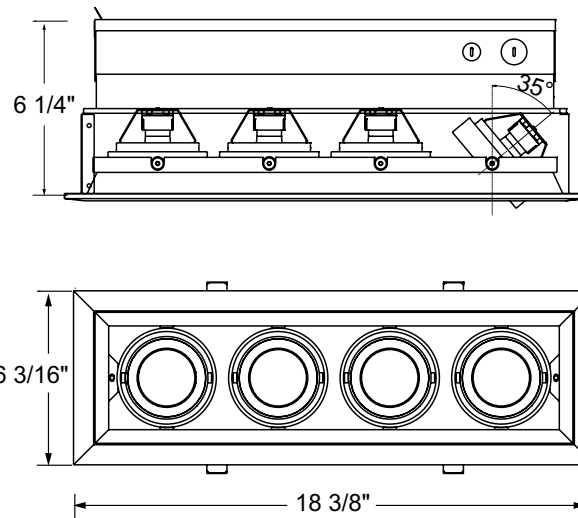
DIMENSIONS

- **Cut hole:** 17 1/2"L x 5 1/8"W
- **Fixture:** 18 3/8"L x 6 3/16"W x 6 1/4"H

CUSTOMIZATION

- For customization, please consult Eurofase

PRODUCT DIMENSIONS



FINISHES



-01 Black/Black



-02 White/Black



-22 White/White



17 1/2"L x 5 1/8"W

ORDERING GUIDE

MODEL	FINISH
TE114AGU10	-01 Black/Black
	-02 White/Black
	-22 White/White

EXAMPLE: TE114AGU10-01

***HOUSING OPTIONS (SOLD SEPARATELY):** *Refer to page 239 for housing specification*

24054-010 NEW CONSTRUCTION PLATE



Dimension 26"L x 12 3/4"W x 1 3/8"H
Cut Hole 17 1/2"L x 5 1/8"W

30369-016 AIRTIGHT IC BOX
24074-018 INSULATED CEILING BOX



Dimension 26"L x 12 3/4"W x 11 1/2"H
Cut Hole 17 1/2"L x 5 1/8"W



PAR20

LED LED COMPATIBLE



A compact industry standard, PAR20's remain popular as a high output, compact option. With most new PAR20's utilizing halogen or LED technology, the lifespan and color rendering quality has never been better.

TRIM

TE161



PG 199

TE162



PG 200

TE163



PG 201

TE164B



PG 202

TE164A



PG 203

TE166A



PG 204

PAR20 GIMBAL



TE161



LAMPING

- 1 x 50W max. PAR20 (not included)
- **Horizontal adjustment:** 0° - 35°

ELECTRICAL

- Integral electrical junction box
- Junction box has two 1/2" and four 3/4" knockouts for through branch circuit wiring
- Thermally protected
- **Input voltage:** 120V

HOUSING

- 18 gauge powder coated steel housing
- Remodel housing complete with adjustable mounting clips suitable for 1/2" and 5/8" drywall
- New construction plate, insulated ceiling box and airtight IC box sold separately (refer to housing options)*

TRIM

- Extruded 6063 aluminum trim
- Powder coated finish
- Available in black and white

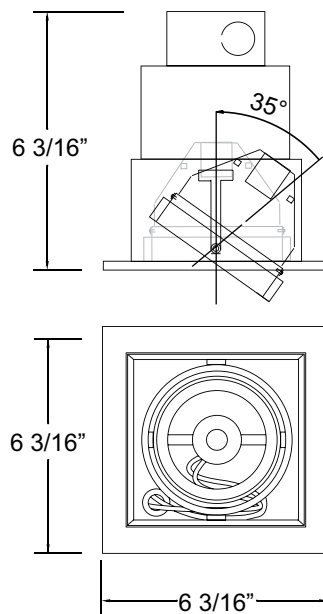
DIMENSIONS

- **Cut hole:** 5 1/8"L x 5 1/8"W
- **Fixture:** 6 3/16"L x 6 3/16"W x 6 3/16"H

CUSTOMIZATION

- For customization, please consult Eurofase

PRODUCT DIMENSIONS



FINISHES



-01 Black/Black



-02 White/Black



-22 White/White

ORDERING GUIDE

MODEL	FINISH
TE161	-01 Black/Black
	-02 White/Black
	-22 White/White



5 1/8"L x 5 1/8"W

EXAMPLE: TE161-01

***HOUSING OPTIONS (SOLD SEPARATELY):** *Refer to page 241 for housing specification*

24051-019 NEW CONSTRUCTION PLATE



Dimension 11 1/4"L x 12 3/4"W x 1 3/8"H
Cut Hole 5 1/8"L x 5 1/8"W

30366-015 AIRTIGHT IC BOX
24071-017 INSULATED CEILING BOX



Dimension 11 1/4"L x 12 3/4"W x 11 1/2"H
Cut Hole 5 1/8"L x 5 1/8"W



PAR20 GIMBAL

TE162



LAMPING

- 2 x 50W max. PAR20 (not included)
- **Horizontal adjustment:** 0° - 35°

ELECTRICAL

- Integral electrical junction box
- Junction box has two 1/2" and four 3/4" knockouts for through branch circuit wiring
- Thermally protected
- **Input voltage:** 120V

HOUSING

- 18 gauge powder coated steel housing
- Remodel housing complete with adjustable mounting clips suitable for 1/2" and 5/8" drywall
- New construction plate, insulated ceiling box and airtight IC box sold separately (refer to housing options)*

TRIM

- Extruded 6063 aluminum trim
- Powder coated finish
- Available in black and white

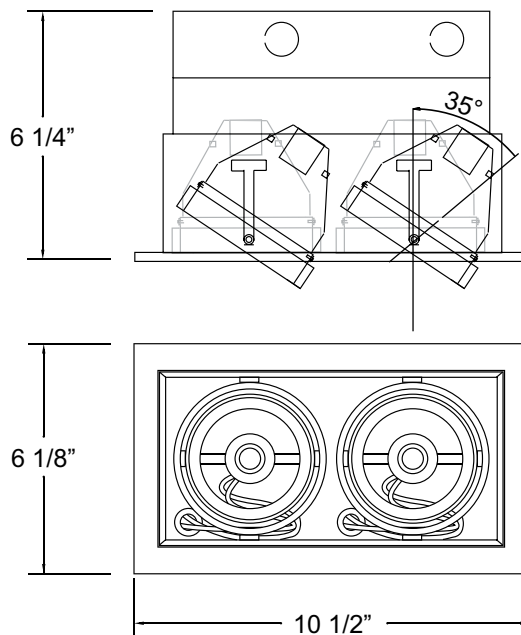
DIMENSIONS

- **Cut hole:** 9 1/2"L x 5 1/8"W
- **Fixture:** 10 1/2"L x 6 1/8"W x 6 1/4"H

CUSTOMIZATION

- For customization, please consult Eurofase

PRODUCT DIMENSIONS



FINISHES



-01 Black/Black



-02 White/Black



-22 White/White

ORDERING GUIDE

MODEL	FINISH
TE162	-01 Black/Black
	-02 White/Black
	-22 White/White



9 1/2"L x 5 1/8"W

EXAMPLE: TE162-01

***HOUSING OPTIONS (SOLD SEPARATELY):**

Refer to page 241 for housing specification

24052-016 NEW CONSTRUCTION PLATE

30367-012 AIRTIGHT IC BOX
24072-014 INSULATED CEILING BOX



Dimension 17"L x 12 3/4"W x 1 3/8"H
Cut Hole 9 1/2"L x 5 1/8"W



Dimension 17"L x 12 3/4"W x 11 1/2"H
Cut Hole 9 1/2"L x 5 1/8"W

PAR20 GIMBAL



TE163



LAMPING

- 3 x 50W max. PAR20 (not included)
- **Horizontal adjustment:** 0° - 35°

ELECTRICAL

- Integral electrical junction box
- Junction box has two 1/2" and four 3/4" knockouts for through branch circuit wiring
- Thermally protected
- **Input voltage:** 120V

HOUSING

- 18 gauge powder coated steel housing
- Remodel housing complete with adjustable mounting clips suitable for 1/2" and 5/8" drywall
- New construction plate, insulated ceiling box and airtight IC box sold separately (refer to housing options)*

TRIM

- Extruded 6063 aluminum trim
- Powder coated finish
- Available in black and white

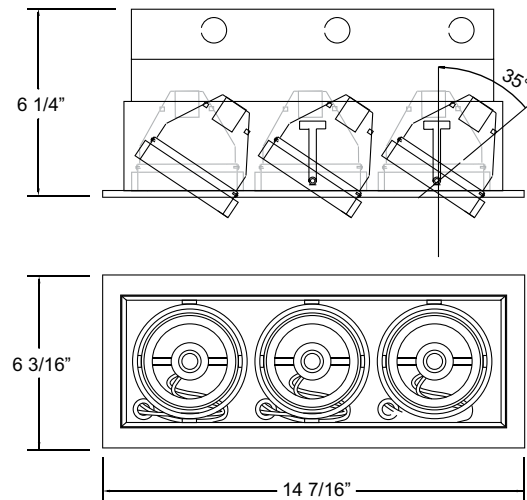
DIMENSIONS

- **Cut hole:** 13 1/2"L x 5 3/16"W
- **Fixture:** 14 7/16"L x 6 3/16"W x 6 1/4"H

CUSTOMIZATION

- For customization, please consult Eurofase

PRODUCT DIMENSIONS



FINISHES



-01 Black/Black



-02 White/Black



-22 White/White

ORDERING GUIDE

MODEL	FINISH
TE163	-01 Black/Black
	-02 White/Black
	-22 White/White



13 1/2"L x 5 3/16"W

EXAMPLE: TE163-01

***HOUSING OPTIONS (SOLD SEPARATELY):** *Refer to page 241 for housing specification*

24053-013 NEW CONSTRUCTION PLATE



Dimension 22"L x 12 3/4"W x 1 3/8"H
Cut Hole 13 1/2"L x 5 3/16"W

30368-019 AIRTIGHT IC BOX
24073-011 INSULATED CEILING BOX



Dimension 22"L x 12 3/4"W x 11 1/2"H
Cut Hole 13 1/2"L x 5 3/16"W

LED *LED COMPATIBLE

PAR20 GIMBAL

TE164B



LAMPING

- 4 x 50W max. PAR20 (not included)
- **Horizontal adjustment:** 0° - 35°

ELECTRICAL

- Integral electrical junction box
- Junction box has two 1/2" and four 3/4" knockouts for through branch circuit wiring
- Thermally protected
- **Input voltage:** 120V

HOUSING

- 18 gauge powder coated steel housing
- Remodel housing complete with adjustable mounting clips suitable for 1/2" and 5/8" drywall
- New construction plate, insulated ceiling box and airtight IC box sold separately (refer to housing options)*

TRIM

- Extruded 6063 aluminum trim
- Powder coated finish
- Available in black and white

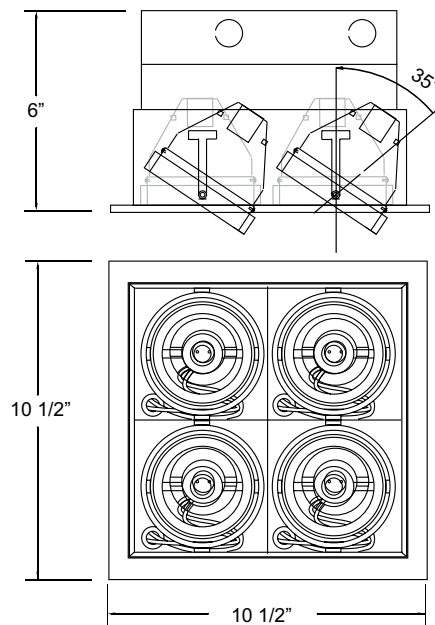
DIMENSIONS

- **Cut hole:** 9 1/2"L x 9 1/2"W
- **Fixture:** 10 1/2"L x 10 1/2"W x 6"H

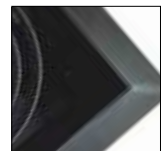
CUSTOMIZATION

- For customization, please consult Eurofase

PRODUCT DIMENSIONS



FINISHES



-01 Black/Black



-02 White/Black



-22 White/White

ORDERING GUIDE

MODEL	FINISH
TE164B	-01 Black/Black
	-02 White/Black
	-22 White/White



9 1/2"L x 9 1/2"W

EXAMPLE: TE164B-01

***HOUSING OPTIONS (SOLD SEPARATELY):**

Refer to page 241 for housing specification

24055-017 NEW CONSTRUCTION PLATE

30370-012 AIRTIGHT IC BOX
24075-015 INSULATED CEILING BOX



Dimension 24"L x 18"W x 1 3/8"H
Cut Hole 9 1/2"L x 9 1/2"W



Dimension 24"L x 18"W x 11 1/2"H
Cut Hole 9 1/2"L x 9 1/2"W

PAR20 GIMBAL



TE164A



LAMPING

- 4 x 50W max. PAR20 (not included)
- **Horizontal adjustment:** 0° - 35°

ELECTRICAL

- Integral electrical junction box
- Junction box has two 1/2" and four 3/4" knockouts for through branch circuit wiring
- Thermally protected
- **Input voltage:** 120V

HOUSING

- 18 gauge powder coated steel housing
- Remodel housing complete with adjustable mounting clips suitable for 1/2" and 5/8" drywall
- New construction plate, insulated ceiling box and airtight IC box sold separately (refer to housing options)*

TRIM

- Extruded 6063 aluminum trim
- Powder coated finish
- Available in black and white

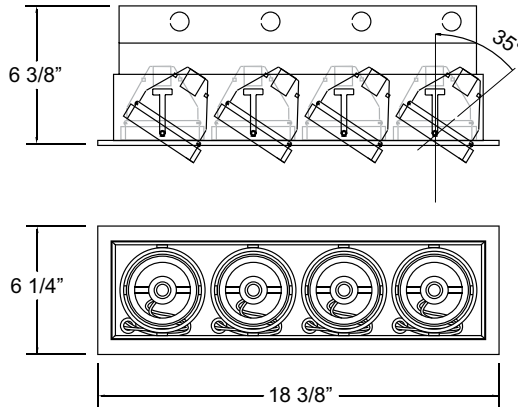
DIMENSIONS

- **Cut hole:** 17 1/2"L x 5 1/8"W
- **Fixture:** 18 3/8"L x 6 1/4"W x 6 3/8"H

CUSTOMIZATION

- For customization, please consult Eurofase

PRODUCT DIMENSIONS



FINISHES



-01 Black/Black



-02 White/Black



-22 White/White



17 1/2"L x 5 1/8"W

ORDERING GUIDE

MODEL	FINISH
TE164A	-01 Black/Black
	-02 White/Black
	-22 White/White

EXAMPLE: TE164A-01

*HOUSING OPTIONS (SOLD SEPARATELY):

Refer to page 241 for housing specification

24054-010 NEW CONSTRUCTION PLATE

30369-016 AIRTIGHT IC BOX
24074-018 INSULATED CEILING BOX



Dimension 26"L x 12 3/4"W x 1 3/8"H
Cut Hole 17 1/2"L x 5 1/8"W



Dimension 26"L x 12 3/4"W x 11 1/2"H
Cut Hole 17 1/2"L x 5 1/8"W

LED *LED COMPATIBLE

PAR20 GIMBAL

TE166A



LAMPING

- 6 x 50W max. PAR20 (not included)
- **Horizontal adjustment:** 0° - 35°

ELECTRICAL

- Integral electrical junction box
- Junction box has two 1/2" and four 3/4" knockouts for through branch circuit wiring
- Thermally protected
- **Input voltage:** 120V

HOUSING

- 18 gauge powder coated steel housing
- Remodel housing complete with adjustable mounting clips suitable for 1/2" and 5/8" drywall
- New construction plate, insulated ceiling box and airtight IC box sold separately (refer to housing options)*

TRIM

- Extruded 6063 aluminum trim
- Powder coated finish
- Available in black and white

DIMENSIONS

- **Cut hole:** 25 5/16"L x 5 1/8"W
- **Fixture:** 26 1/4"L x 6 1/8"W x 6 5/16"H

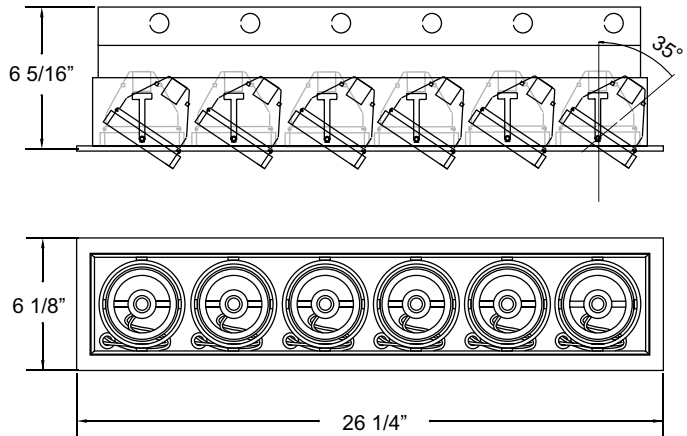
CUSTOMIZATION

- For customization, please consult Eurofase

FINISHES



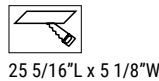
PRODUCT DIMENSIONS



ORDERING GUIDE

MODEL	FINISH
TE166A	-01 Black/Black
	-02 White/White
	-22 White/White

EXAMPLE: TE166A-01



***HOUSING OPTIONS (SOLD SEPARATELY):** *Refer to page 241 for housing specification*

24056-014 NEW CONSTRUCTION PLATE

Dimension 37 1/2"L x 12 3/4"W x 1 3/8"H
Cut Hole 25 5/16"L x 5 1/8"W

30371-019 AIRTIGHT IC BOX
24076-012 INSULATED CEILING BOX

Dimension 37 1/2"L x 12 3/4"W x 11 1/2"H
Cut Hole 25 5/16"L x 5 1/8"W

PAR30

LED *LED COMPATIBLE

The PAR30 Recessed Multiples are ideal for retail stores, high ceiling office spaces, conference centers and the hotel and hospitality market.

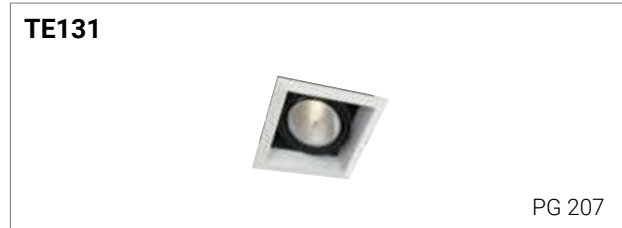


LED *LED COMPATIBLE

PAR30

TRIM

TRIMLESS



PAR30 GIMBAL



TE131



LAMPING

- 1 x 75W max. PAR30 (not included)
- **Horizontal adjustment:** 0° - 35°
- Adjustable socket holder accommodates both long and short neck lamping

ELECTRICAL

- Integral electrical junction box
- Junction box has two 1/2" and four 3/4" knockouts for through branch circuit wiring
- Thermally protected
- **Input voltage:** 120V

HOUSING

- 18 gauge powder coated steel housing
- Remodel housing complete with adjustable mounting clips suitable for 1/2" and 5/8" drywall
- New construction plate, insulated ceiling box and airtight IC box sold separately (refer to housing options)*

TRIM

- Extruded 6063 aluminum trim
- Powder coated finish
- Available in black and white

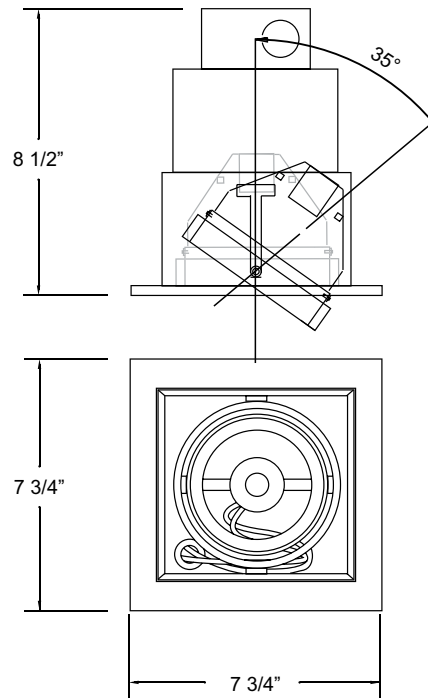
DIMENSIONS

- **Cut hole:** 6 3/4"L x 6 3/4"W
- **Fixture:** 7 3/4"L x 7 3/4"W x 8 1/2"H

CUSTOMIZATION

- For customization, please consult Eurofase

PRODUCT DIMENSIONS



FINISHES



-01 Black/Black



-02 White/Black



-22 White/White

ORDERING GUIDE

MODEL	FINISH
TE131	-01 Black/Black
	-02 White/Black
	-22 White/White



6 3/4" L x 6 3/4" W

EXAMPLE: TE131-01

***HOUSING OPTIONS (SOLD SEPARATELY):** *Refer to page 242 for housing specification*

24057-011 NEW CONSTRUCTION PLATE



Dimension 12 3/4"L x 12 3/4"W x 1 3/8"H
Cut Hole 6 3/4"L x 6 3/4"W

30372-016 AIRTIGHT IC BOX
24077-019 INSULATED CEILING BOX

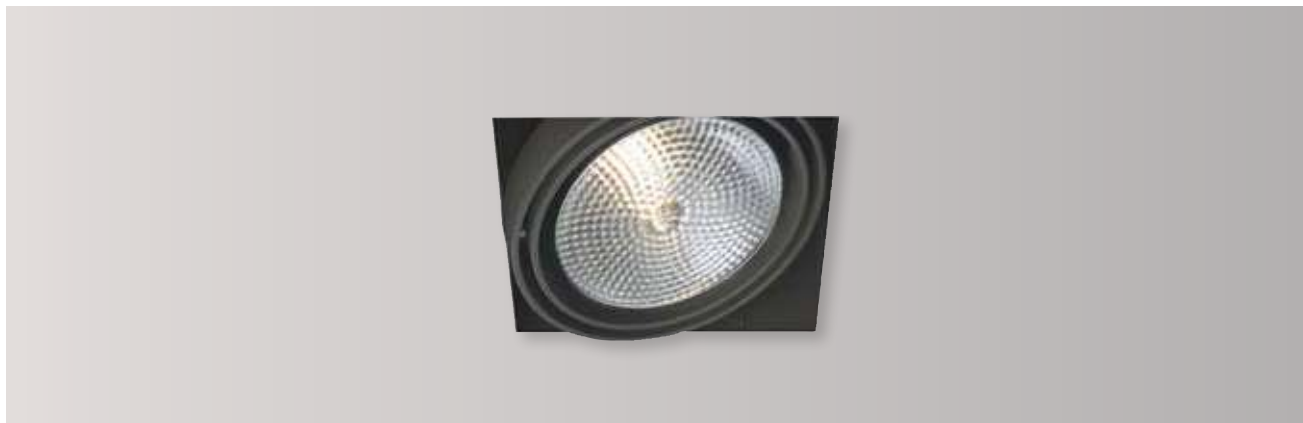


Dimension 12 3/4"L x 12 3/4"W x 11 1/2"H
Cut Hole 6 3/4"L x 6 3/4"W



PAR30 TRIMLESS GIMBAL

TE221



LAMPING

- 1 x 75W max. PAR30 (not included)
- **Horizontal adjustment:** 0° - 35°
- Adjustable socket holder accommodates both long and short neck lamping

ELECTRICAL

- Integral electrical junction box
- Junction box has two 1/2" and four 3/4" knockouts for through branch circuit wiring
- Thermally protected
- **Input voltage:** 120V

HOUSING

- 18 gauge powder coated steel housing
- Remodel housing complete with adjustable mounting clips suitable for 1/2" and 5/8" drywall
- New construction plate, insulated ceiling box and airtight IC box sold separately (refer to housing options)*

MESH PLATE

- Steel mesh plate (included)
- Perforated perimeter allows mud to bond to mounting surface leaving a seamless finish in the ceiling

DIMENSIONS

- **Cut hole:** 6"L x 6"W
- **Fixture:** 5 5/8"L x 5 5/8"W x 7 3/8"H

CUSTOMIZATION

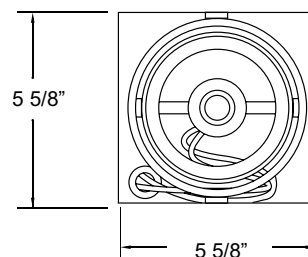
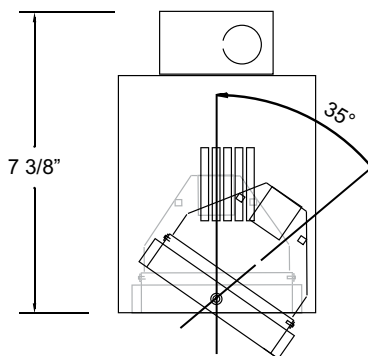
- For customization, please consult Eurofase

ORDERING GUIDE

MODEL	FINISH
TE221	-01 Black/Black -02 White/White

EXAMPLE: TE221-01

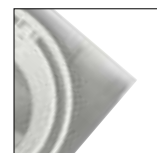
PRODUCT DIMENSIONS



FINISHES



-01 Black/Black



-02 White/White



6"L x 6"W

Mesh Plate included



***HOUSING OPTIONS (SOLD SEPARATELY):**

Refer to page 243 for housing specification

31421-010 NEW CONSTRUCTION PLATE



Dimension 12 3/4"L x 12 3/4"W x 1 3/8"H
Cut Hole 6"L x 6"W

31423-014 AIRTIGHT IC BOX
31422-017 INSULATED CEILING BOX



Dimension 12 3/4"L x 12 3/4"W x 11 1/2"H
Cut Hole 6"L x 6"W

PAR30 GIMBAL



TE132



LAMPING

- 2 x 75W max. PAR30 (not included)
- **Horizontal adjustment:** 0° - 35°
- Adjustable socket holder accommodates both long and short neck lamping

ELECTRICAL

- Integral electrical junction box
- Junction box has two 1/2" and four 3/4" knockouts for through branch circuit wiring
- Thermally protected
- **Input voltage:** 120V

HOUSING

- 18 gauge powder coated steel housing
- Remodel housing complete with adjustable mounting clips suitable for 1/2" and 5/8" drywall
- New construction plate, insulated ceiling box and airtight IC box sold separately (refer to housing options)*

TRIM

- Extruded 6063 aluminum trim
- Powder coated finish
- Available in black and white

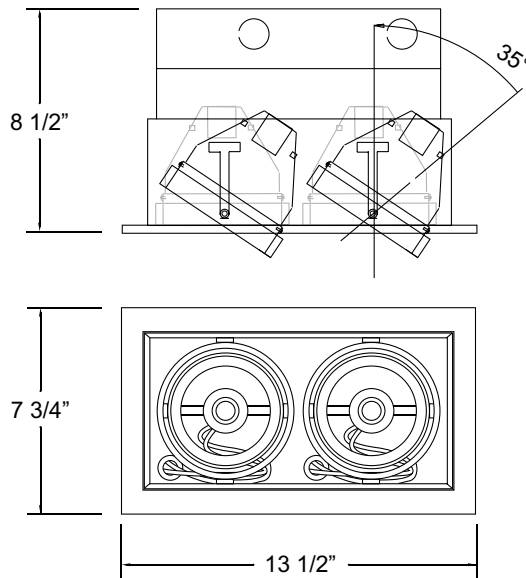
DIMENSIONS

- **Cut hole:** 12 3/4"L x 6 3/4"W
- **Fixture:** 13 1/2"L x 7 3/4"W x 8 1/2"H

CUSTOMIZATION

- For customization, please consult Eurofase

PRODUCT DIMENSIONS



FINISHES



-01 Black/Black



-02 White/Black



-22 White/White

ORDERING GUIDE

MODEL	FINISH
TE132	-01 Black/Black
	-02 White/Black
	-22 White/White



12 3/4"L x 6 3/4"W

EXAMPLE: TE132-01

*HOUSING OPTIONS (SOLD SEPARATELY):

Refer to page 242 for housing specification

24058-018 NEW CONSTRUCTION PLATE

30373-013 AIRTIGHT IC BOX
24078-016 INSULATED CEILING BOX



Dimension 20 1/4"L x 12 3/4"W x 1 3/8"H
Cut Hole 12 3/4"L x 6 3/4"W



Dimension 20 1/4"L x 12 3/4"W x 11 1/2"H
Cut Hole 12 3/4"L x 6 3/4"W



PAR30 TRIMLESS GIMBAL

TE222



LAMPING

- 2 x 75W max. PAR30 (not included)
- **Horizontal adjustment:** 0° - 35°
- Adjustable socket holder accommodates both long and short neck lamping

ELECTRICAL

- Integral electrical junction box
- Junction box has two 1/2" and four 3/4" knockouts for through branch circuit wiring
- Thermally protected
- **Input voltage:** 120V

HOUSING

- 18 gauge powder coated steel housing
- Remodel housing complete with adjustable mounting clips suitable for 1/2" and 5/8" drywall
- New construction plate, insulated ceiling box and airtight IC box sold separately (refer to housing options)*

MESH PLATE

- Steel mesh plate (included)
- Perforated perimeter allows mud to bond to mounting surface leaving a seamless finish in the ceiling

DIMENSIONS

- **Cut hole:** 11 9/16"L x 6"W
- **Fixture:** 11 1/4"L x 5 9/16"W x 7 1/2"H

CUSTOMIZATION

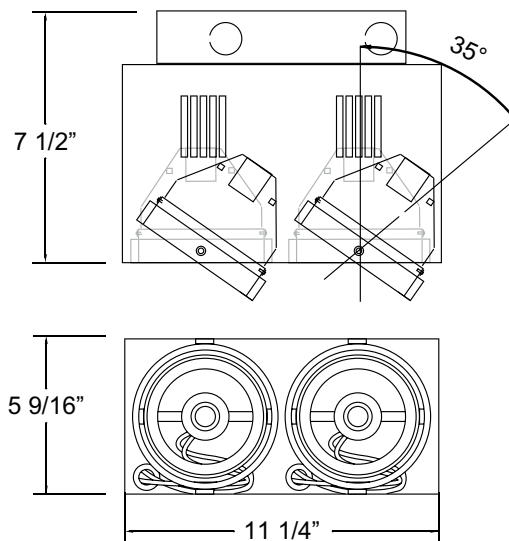
- For customization, please consult Eurofase

ORDERING GUIDE

MODEL	FINISH
TE222	-01 Black/Black -02 White/White

EXAMPLE: TE222-01

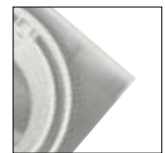
PRODUCT DIMENSIONS



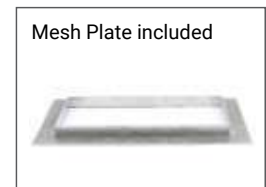
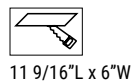
FINISHES



-01 Black/Black



-02 White/White



***HOUSING OPTIONS (SOLD SEPARATELY):**

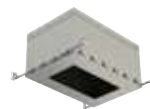
Refer to page 243 for housing specification

31424-011 NEW CONSTRUCTION PLATE

31426-015 AIRTIGHT IC BOX
31425-018 INSULATED CEILING BOX



Dimension 18 1/4"L x 12 3/4"W x 1 3/8"H
Cut Hole 11 9/16"L x 6"W



Dimension 18 1/4"L x 12 3/4"W x 11 1/2"H
Cut Hole 11 9/16"L x 6"W

PAR30 GIMBAL



TE133



LAMPING

- 3 x 75W max. PAR30 (not included)
- **Horizontal adjustment:** 0° - 35°
- Adjustable socket holder accommodates both long and short neck lamping

ELECTRICAL

- Integral electrical junction box
- Junction box has two 1/2" and four 3/4" knockouts for through branch circuit wiring
- Thermally protected
- **Input voltage:** 120V

HOUSING

- 18 gauge powder coated steel housing
- Remodel housing complete with adjustable mounting clips suitable for 1/2" and 5/8" drywall
- New construction plate, insulated ceiling box and airtight IC box sold separately (refer to housing options)*

TRIM

- Extruded 6063 aluminum trim
- Powder coated finish
- Available in black and white

DIMENSIONS

- **Cut hole:** 18"L x 6 3/4"W
- **Fixture:** 18 7/8"L x 7 3/4"W x 8 1/2"H

CUSTOMIZATION

- For customization, please consult Eurofase

ORDERING GUIDE

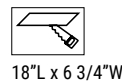
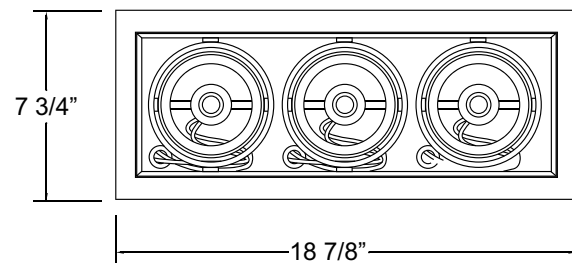
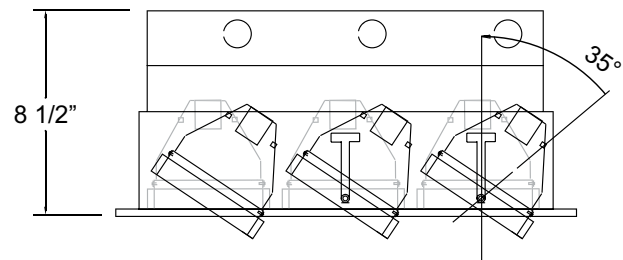
MODEL	FINISH
TE133	-01 Black/Black
	-02 White/Black
	-22 White/White

EXAMPLE: TE133-01

FINISHES



PRODUCT DIMENSIONS



*HOUSING OPTIONS (SOLD SEPARATELY):

Refer to page 242 for housing specification

24059-015 NEW CONSTRUCTION PLATE

30374-010 AIRTIGHT IC BOX
24079-013 INSULATED CEILING BOX



Dimension 27 1/4"L x 12 3/4"W x 1 3/8"H
Cut Hole 18"L x 6 3/4"W



Dimension 27 1/4"L x 12 3/4"W x 11 1/2"H
Cut Hole 18"L x 6 3/4"W

LED *LED COMPATIBLE

PAR30 TRIMLESS GIMBAL

TE223



LAMPING

- 3 x 75W max. PAR30 (not included)
- **Horizontal adjustment:** 0° - 35°
- Adjustable socket holder accommodates both long and short neck lamping

ELECTRICAL

- Integral electrical junction box
- Junction box has two 1/2" and four 3/4" knockouts for through branch circuit wiring
- Thermally protected
- **Input voltage:** 120V

HOUSING

- 18 gauge powder coated steel housing
- Remodel housing complete with adjustable mounting clips suitable for 1/2" and 5/8" drywall
- New construction plate, insulated ceiling box and airtight IC box sold separately (refer to housing options)*

MESH PLATE

- Steel mesh plate (included)
- Perforated perimeter allows mud to bond to mounting surface leaving a seamless finish in the ceiling

DIMENSIONS

- **Cut hole:** 17"L x 6"W
- **Fixture:** 16 11/16"L x 5 9/16"W x 7 3/8"H

CUSTOMIZATION

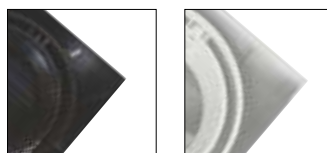
- For customization, please consult Eurofase

ORDERING GUIDE

MODEL	FINISH
TE223	-01 Black/Black -02 White/White

EXAMPLE: TE223-01

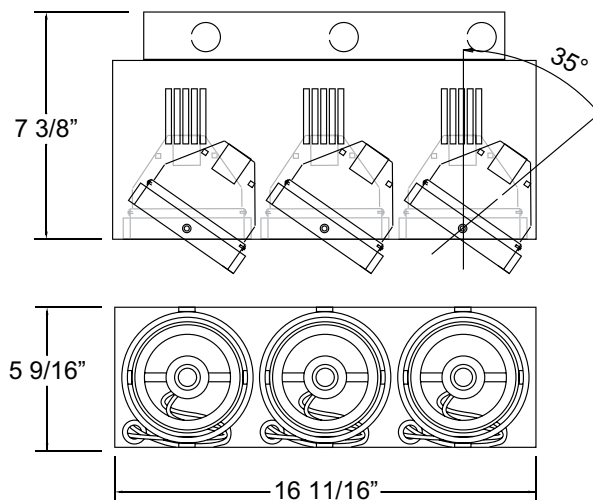
FINISHES



-01 Black/Black

-02 White/White

PRODUCT DIMENSIONS



17"L x 6"W

Mesh Plate included



***HOUSING OPTIONS (SOLD SEPARATELY):**

Refer to page 243 for housing specification

31427-015 NEW CONSTRUCTION PLATE

31429-016 AIRTIGHT IC BOX
31428-019 INSULATED CEILING BOX



Dimension 24"L x 12 3/4"W x 1 3/8"H
Cut Hole 17"L x 6"W



Dimension 24"L x 12 3/4"W x 11 1/2"H
Cut Hole 17"L x 6"W

PAR30 GIMBAL



TE134B



LAMPING

- 4 x 75W max. PAR30 (not included)
- **Horizontal adjustment:** 0° - 35°
- Adjustable socket holder accommodates both long and short neck lampping

ELECTRICAL

- Integral electrical junction box
- Junction box has two 1/2" and four 3/4" knockouts for through branch circuit wiring
- Thermally protected
- **Input voltage:** 120V

HOUSING

- 18 gauge powder coated steel housing
- Remodel housing complete with adjustable mounting clips suitable for 1/2" and 5/8" drywall
- New construction plate, insulated ceiling box and airtight IC box sold separately (refer to housing options)*

TRIM

- Extruded 6063 aluminum trim
- Powder coated finish
- Available in black and white

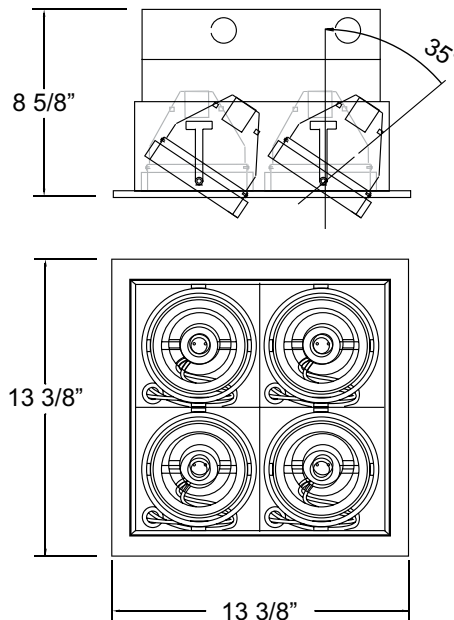
DIMENSIONS

- **Cut hole:** 12 3/4"L x 12 3/4"W
- **Fixture:** 13 3/8"L x 13 3/8"W x 8 5/8"H

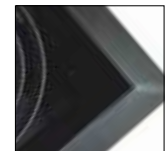
CUSTOMIZATION

- For customization, please consult Eurofase

PRODUCT DIMENSIONS



FINISHES



-01 Black/Black



-02 White/Black



-22 White/White

ORDERING GUIDE

MODEL	FINISH
TE134B	-01 Black/Black
	-02 White/Black
	-22 White/White



12 3/4"L x 12 3/4"W

EXAMPLE: TE134B-01

***HOUSING OPTIONS (SOLD SEPARATELY):** *Refer to page 242 for housing specification*

24061-018 NEW CONSTRUCTION PLATE



Dimension 20"L x 18"W x 1 3/8"H
Cut Hole 12 3/4"L x 12 3/4"W

30376-014 AIRTIGHT IC BOX
24081-016 INSULATED CEILING BOX



Dimension 20"L x 18"W x 11 1/2"H
Cut Hole 12 3/4"L x 12 3/4"W



PAR30 TRIMLESS GIMBAL

TE224B



LAMPING

- 4 x 75W max. PAR30 (not included)
- **Horizontal adjustment:** 0° - 35°
- Adjustable socket holder accommodates both long and short neck lamping

ELECTRICAL

- Integral electrical junction box
- Junction box has two 1/2" and four 3/4" knockouts for through branch circuit wiring
- Thermally protected
- **Input voltage:** 120V

HOUSING

- 18 gauge powder coated steel housing
- Remodel housing complete with adjustable mounting clips suitable for 1/2" and 5/8" drywall
- New construction plate, insulated ceiling box and airtight IC box sold separately (refer to housing options)*

MESH PLATE

- Steel mesh plate (included)
- Perforated perimeter allows mud to bond to mounting surface leaving a seamless finish in the ceiling

DIMENSIONS

- **Cut hole:** 13"L x 13"W
- **Fixture:** 12 9/16"L x 12 9/16"W x 8 5/8"H

CUSTOMIZATION

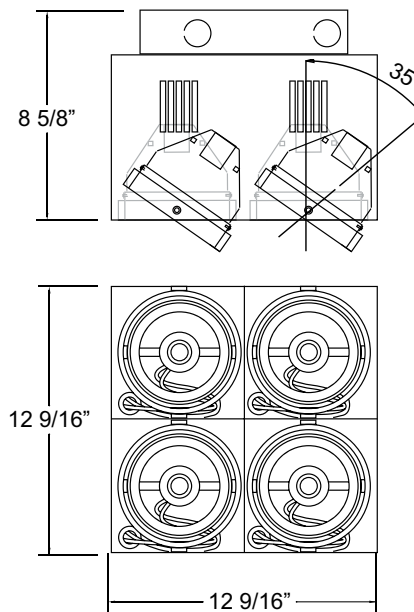
- For customization, please consult Eurofase

ORDERING GUIDE

MODEL	FINISH
TE224B	-01 Black/Black
	-02 White/White

EXAMPLE: TE224B-01

PRODUCT DIMENSIONS



FINISHES



-01 Black/Black



-02 White/White



13"L x 13"W



***HOUSING OPTIONS (SOLD SEPARATELY):**

Refer to page 243 for housing specification

24070-010 NEW CONSTRUCTION PLATE

30386-013 AIRTIGHT IC BOX
24090-018 INSULATED CEILING BOX



Dimension 20"L x 18"W x 1 3/8"H
Cut Hole 13"L x 13"W



Dimension 20"L x 18"W x 11 1/2"H
Cut Hole 13"L x 13"W

PAR30 GIMBAL



TE134A



LAMPING

- 4 x 75W max. PAR30 (not included)
- **Horizontal adjustment:** 0° - 35°
- Adjustable socket holder accommodates both long and short neck lamping

ELECTRICAL

- Integral electrical junction box
- Junction box has two 1/2" and four 3/4" knockouts for through branch circuit wiring
- Thermally protected
- **Input voltage:** 120V

HOUSING

- 18 gauge powder coated steel housing
- Remodel housing complete with adjustable mounting clips suitable for 1/2" and 5/8" drywall
- New construction plate, insulated ceiling box and airtight IC box sold separately (refer to housing options)*

TRIM

- Extruded 6063 aluminum trim
- Powder coated finish
- Available in black and white

DIMENSIONS

- **Cut hole:** 23 1/2"L x 6 3/4"W
- **Fixture:** 24 1/4"L x 7 3/4"W x 8 3/8"H

CUSTOMIZATION

- For customization, please consult Eurofase

ORDERING GUIDE

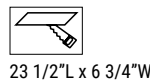
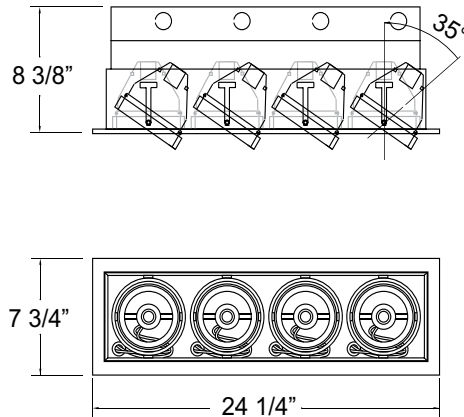
MODEL	FINISH
TE134A	-01 Black/Black
	-02 White/Black
	-22 White/White

EXAMPLE: TE134A-01

FINISHES



PRODUCT DIMENSIONS



***HOUSING OPTIONS (SOLD SEPARATELY):** *Refer to page 242 for housing specification*

24060-011 NEW CONSTRUCTION PLATE

Dimension 24"L x 12 3/4"W x 1 3/8"H
Cut Hole 23 1/2"L x 6 3/4"W

30375-017 AIRTIGHT IC BOX
24080-019 INSULATED CEILING BOX

Dimension 24"L x 12 3/4"W x 11 1/2"H
Cut Hole 23 1/2"L x 6 3/4"W

LED *LED COMPATIBLE

PAR30 GIMBAL

TE136A



LAMPING

- 6 x 75W max. PAR30 (not included)
- Horizontal adjustment: 0° - 35°
- Adjustable socket holder accommodates both long and short neck lamping

ELECTRICAL

- Integral electrical junction box
- Junction box has two 1/2" and four 3/4" knockouts for through branch circuit wiring
- Thermally protected
- **Input voltage:** 120V

HOUSING

- 18 gauge powder coated steel housing
- Remodel housing complete with adjustable mounting clips suitable for 1/2" and 5/8" drywall
- New construction plate, insulated ceiling box and airtight IC box sold separately (refer to housing options)*

TRIM

- Extruded 6063 aluminum trim
- Powder coated finish
- Available in black and white

DIMENSIONS

- **Cut hole:** 34 1/2"L x 6 3/4"W
- **Fixture:** 35 1/16"L x 7 11/16"W x 8 5/8"H

CUSTOMIZATION

- For customization, please consult Eurofase

ORDERING GUIDE

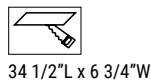
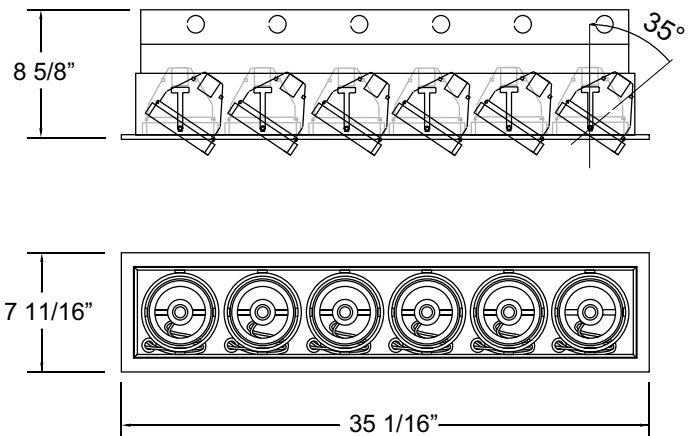
MODEL	FINISH
TE136A	-01 Black/Black
	-02 White/Black
	-22 White/White

EXAMPLE: TE136A-01

FINISHES



PRODUCT DIMENSIONS



***HOUSING OPTIONS (SOLD SEPARATELY):** *Refer to page 242 for housing specification*

24062-015 NEW CONSTRUCTION PLATE



Dimension 43 1/2"L x 12 3/4"W x 1 3/8"H
Cut Hole 34 1/2"L x 6 3/4"W

30377-011 AIRTIGHT IC BOX
24082-013 INSULATED CEILING BOX



Dimension 43 1/2"L x 12 3/4"W x 11 1/2"H
Cut Hole 34 1/2"L x 6 3/4"W

DIFFUSED LENS LED

Frosted glass diffuser is soft on the eyes, yet makes a powerful statement for light.



LED DIFFUSED LENS



DIFFUSED LENS

30303



LAMPING

- 1 x 14.4W Integrated LED TRIAC Dimming. For 0-10V and alternate dimming options consult Eurofase
- **Beam angle:** 120°
- **Kelvin:** 3000K
- **Total lumens:** 1180lm
- **CRI:** 80+

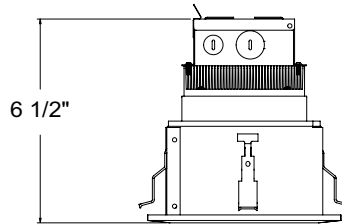
SPECIFICATIONS

LED	WATTS	LUMENS	KELVIN	DIMMABLE	CRI	BEAM ANGLE
	14.4W	1180lm	3000K	TRIAC	80+	120°

ELECTRICAL

- Junction box has two 1/2" and four 3/4" knockouts for through branch circuit wiring
- Thermally protected
- **Input voltage:** 120V
- For 277V and 347V input options consult Eurofase

PRODUCT DIMENSIONS



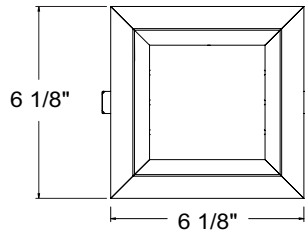
FINISHES



-02 White

HOUSING

- 18 gauge powder coated steel housing
- Remodel housing complete with adjustable mounting clips suitable for 1/2" and 5/8" drywall
- New construction plate, insulated ceiling box and airtight IC box sold separately (refer to housing options)*



TRIM

- Extruded 6063 aluminum trim
- Powder coated finish
- Available in white

DIMENSIONS

- **Cut hole:** 5 1/8"L x 5 1/8"W
- **Fixture:** 6 1/8"L x 6 1/8"W x 6 1/2"H

PHOTOMETRICS

- See pg 225

CUSTOMIZATION

- For customization, please consult Eurofase

ORDERING GUIDE

MODEL	FINISH
30303	-02 White

EXAMPLE: 30303-02



5 1/8"L x 5 1/8"W

*HOUSING OPTIONS (SOLD SEPARATELY):

Refer to page 244 for housing specification

24051-019 NEW CONSTRUCTION PLATE

30366-015 AIRTIGHT IC BOX
24071-017 INSULATED CEILING BOX



Dimension 11 1/4"L x 12 3/4"W x 1 3/8"H
Cut Hole 5 1/8"L x 5 1/8"W



Dimension 11 1/4"L x 12 3/4"W x 11 1/2"H
Cut Hole 5 1/8"L x 5 1/8"W

DIFFUSED LENS

30304



LAMPING

- 2 x 14.4W Integrated LED TRIAC Dimming.
For 0-10V and alternate dimming options consult Eurofase
- **Beam angle:** 120°
- **Kelvin:** 3000K
- **Total lumens:** 2360lm
- **CRI:** 80+

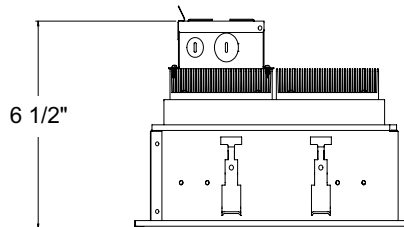
SPECIFICATIONS

LED	WATTS PER HEAD	TOTAL LUMENS	KELVIN	DIMMABLE	CRI	BEAM ANGLE
	14.4W	2360lm	3000K	TRIAC	80+	120°

ELECTRICAL

- Junction box has two 1/2" and four 3/4" knockouts for through branch circuit wiring
- Thermally protected
- **Input voltage:** 120V
For 277V and 347V input options consult Eurofase

PRODUCT DIMENSIONS



FINISHES



-02 White

HOUSING

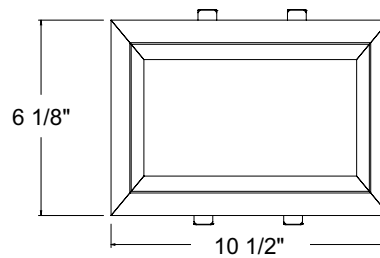
- 18 gauge powder coated steel housing
- Remodel housing complete with adjustable mounting clips suitable for 1/2" and 5/8" drywall
- New construction plate, insulated ceiling box and airtight IC box sold separately (refer to housing options)*

TRIM

- Extruded 6063 aluminum trim
- Powder coated finish
- Available in white

DIMENSIONS

- **Cut hole:** 9 1/2"L x 5 1/8"W
- **Fixture:** 10 1/2"L x 6 1/8"W x 6 1/2"H



PHOTOMETRICS

- See pg 225

CUSTOMIZATION

- For customization, please consult Eurofase

ORDERING GUIDE

MODEL	FINISH
30304	-02 White

EXAMPLE: 30304-02



9 1/2"L x 5 1/8"W

***HOUSING OPTIONS (SOLD SEPARATELY):**

Refer to page 244 for housing specification

24052-016 NEW CONSTRUCTION PLATE

30367-012 AIRTIGHT IC BOX
24072-014 INSULATED CEILING BOX



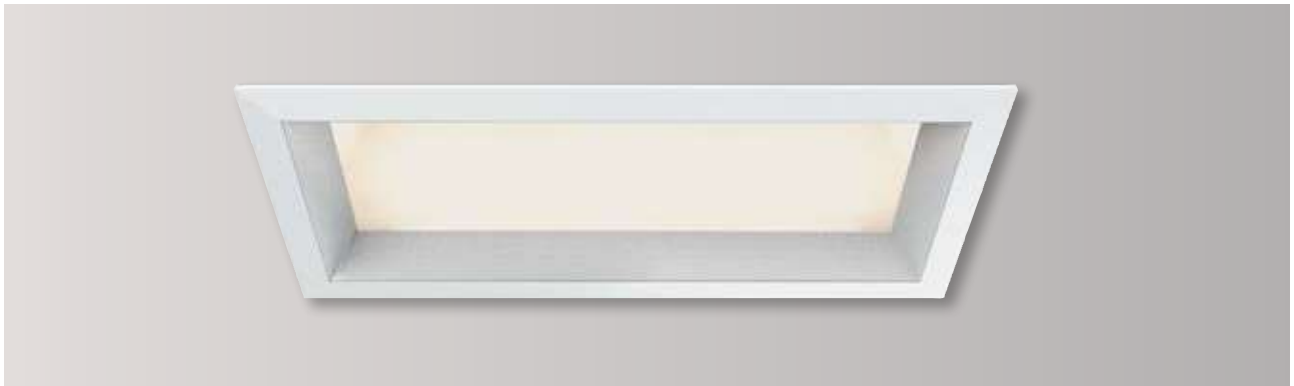
Dimension 17"L x 12 3/4"W x 1 3/8"H
Cut Hole 9 1/2"L x 5 1/8"W



Dimension 17"L x 12 3/4"W x 11 1/2"H
Cut Hole 9 1/2"L x 5 1/8"W

DIFFUSED LENS

30305



LAMPING

- 3 x 14.4W Integrated LED TRIAC Dimming.
For 0-10V and alternate dimming options consult Eurofase
- **Beam angle:** 120°
- **Kelvin:** 3000K
- **Total lumens:** 3540lm
- **CRI:** 80+

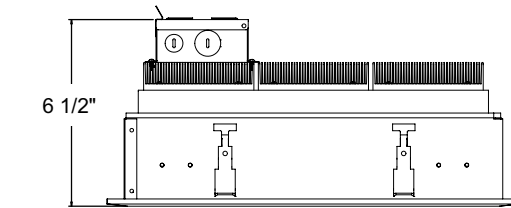
SPECIFICATIONS

LED	WATTS PER HEAD	TOTAL LUMENS	KELVIN	DIMMABLE	CRI	BEAM ANGLE
	14.4W	3540lm	3000K	TRIAC	80+	120°

ELECTRICAL

- Junction box has two 1/2" and four 3/4" knockouts for through branch circuit wiring
- Thermally protected
- **Input voltage:** 120V
For 277V and 347V input options consult Eurofase

PRODUCT DIMENSIONS



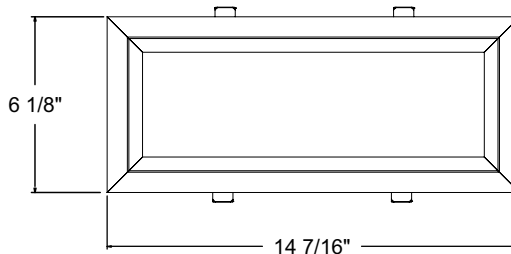
FINISHES



-02 White

HOUSING

- 18 gauge powder coated steel housing
- Remodel housing complete with adjustable mounting clips suitable for 1/2" and 5/8" drywall
- New construction plate, insulated ceiling box and airtight IC box sold separately (refer to housing options)*



TRIM

- Extruded 6063 aluminum trim
- Powder coated finish
- Available in white

DIMENSIONS

- **Cut hole:** 13 3/8"L x 5 1/8"W
- **Fixture:** 14 7/16"L x 6 1/8"W x 6 1/2"H

PHOTOMETRICS

- See pg 226

CUSTOMIZATION

- For customization, please consult Eurofase

ORDERING GUIDE

MODEL	FINISH
30305	-02 White



13 3/8"L x 5 1/8"W

EXAMPLE: 30305-02

***HOUSING OPTIONS (SOLD SEPARATELY):** *Refer to page 244 for housing specification*

24053-013 NEW CONSTRUCTION PLATE



Dimension 22"L x 12 3/4"W x 1 3/8"H
Cut Hole 13 3/8"L x 5 1/8"W

30368-019 AIRTIGHT IC BOX
24073-011 INSULATED CEILING BOX



Dimension 22"L x 12 3/4"W x 1 1/2"H
Cut Hole 13 3/8"L x 5 1/8"W

DIFFUSED LENS

30306



LAMPING

- 4 x 14.4W Integrated LED TRIAC Dimming.
For 0-10V and alternate dimming options consult Eurofase
- **Beam angle:** 120°
- **Kelvin:** 3000K
- **Total lumens:** 4720lm
- **CRI:** 80+

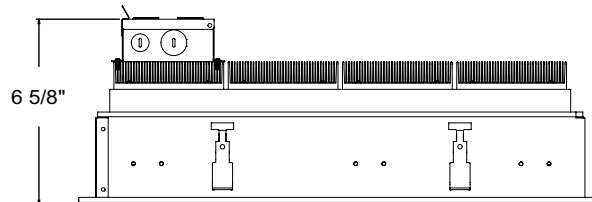
SPECIFICATIONS

LED	WATTS PER HEAD	TOTAL LUMENS	KELVIN	DIMMABLE	CRI	BEAM ANGLE
	14.4W	4720lm	3000K	TRIAC	80+	120°

ELECTRICAL

- Junction box has two 1/2" and four 3/4" knockouts for through branch circuit wiring
- Thermally protected
- **Input voltage:** 120V
For 277V and 347V input options consult Eurofase

PRODUCT DIMENSIONS



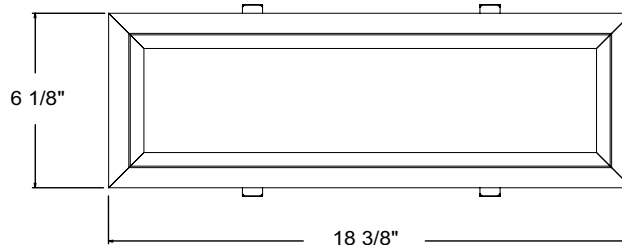
FINISHES



-02 White

HOUSING

- 18 gauge powder coated steel housing
- Remodel housing complete with adjustable mounting clips suitable for 1/2" and 5/8" drywall
- New construction plate, insulated ceiling box and airtight IC box sold separately (refer to housing options)*



TRIM

- Extruded 6063 aluminum trim
- Powder coated finish
- Available in white

DIMENSIONS

- **Cut hole:** 17 3/8"L x 5 1/8"W
- **Fixture:** 18 3/8"L x 6 1/8"W x 6 5/8"H

PHOTOMETRICS

- See pg 226

CUSTOMIZATION

- For customization, please consult Eurofase

ORDERING GUIDE

MODEL	FINISH
30306	-02 White



17 3/8"L x 5 1/8"W

EXAMPLE: 30306-02

***HOUSING OPTIONS (SOLD SEPARATELY):**

Refer to page 244 for housing specification

24054-010 NEW CONSTRUCTION PLATE

30369-016 AIRTIGHT IC BOX
24074-018 INSULATED CEILING BOX



Dimension 26"L x 12 3/4"W x 1 3/8"H
Cut Hole 17 3/8"L x 5 1/8"W



Dimension 26"L x 12 3/4"W x 11 1/2"H
Cut Hole 17 3/8"L x 5 1/8"W

DIFFUSED LENS

30307



LAMPING

- 4 x 14.4W Integrated LED TRIAC Dimming.
For 0-10V and alternate dimming options consult Eurofase
- **Beam angle:** 120°
- **Kelvin:** 3000K
- **Total lumens:** 4720lm
- **CRI:** 80+

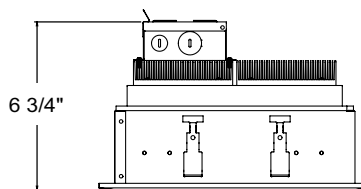
SPECIFICATIONS

LED	WATTS PER HEAD	TOTAL LUMENS	KELVIN	DIMMABLE	CRI	BEAM ANGLE
	14.4W	4720lm	3000K	TRIAC	80+	120°

ELECTRICAL

- Junction box has two 1/2" and four 3/4" knockouts for through branch circuit wiring
- Thermally protected
- **Input voltage:** 120V
For 277V and 347V input options consult Eurofase

PRODUCT DIMENSIONS



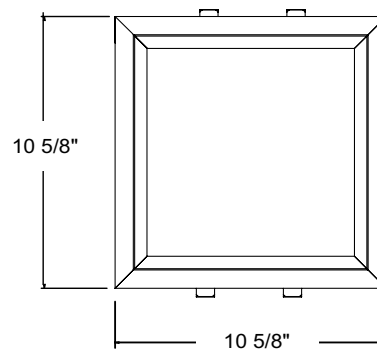
FINISHES



-02 White

HOUSING

- 18 gauge powder coated steel housing
- Remodel housing complete with adjustable mounting clips suitable for 1/2" and 5/8" drywall
- New construction plate, insulated ceiling box and airtight IC box sold separately (refer to housing options)*



TRIM

- Extruded 6063 aluminum trim
- Powder coated finish
- Available in white

DIMENSIONS

- **Cut hole:** 9 1/2"L x 9 1/2"W
- **Fixture:** 10 5/8"L x 10 5/8"W x 6 3/4"H

PHOTOMETRICS

- See pg 227

CUSTOMIZATION

- For customization, please consult Eurofase

ORDERING GUIDE

MODEL	FINISH
30307	-02 White

EXAMPLE: 30307-02



9 1/2"L x 9 1/2"W

*HOUSING OPTIONS (SOLD SEPARATELY):

Refer to page 244 for housing specification

24055-017 NEW CONSTRUCTION PLATE

30370-012 AIRTIGHT IC BOX
24075-015 INSULATED CEILING BOX



Dimension 24"L x 18"W x 1 3/8"H
Cut Hole 9 1/2"L x 9 1/2"W



Dimension 24"L x 18"W x 11 1/2"H
Cut Hole 9 1/2"L x 9 1/2"W

DIFFUSED LENS

30308



LAMPING

- 6 x 14.4W Integrated LED TRIAC Dimming.
For 0-10V and alternate dimming options consult Eurofase
- **Beam angle:** 120°
- **Kelvin:** 3000K
- **Total lumens:** 7080lm
- **CRI:** 80+

ELECTRICAL

- Junction box has two 1/2" and four 3/4" knockouts for through branch circuit wiring
- Thermally protected
- Input voltage: 120V
For 277V and 347V input options consult Eurofase

HOUSING

- 18 gauge powder coated steel housing
- Remodel housing complete with adjustable mounting clips suitable for 1/2" and 5/8" drywall
- New construction plate, insulated ceiling box and airtight IC box sold separately (refer to housing options)*

TRIM

- Extruded 6063 aluminum trim
- Powder coated finish
- Available in white

DIMENSIONS

- **Cut hole:** 25 1/4"L x 5 1/8"W
- **Fixture:** 26 1/4"L x 6 1/8"W x 6 1/2"H

PHOTOMETRICS

- See pg 227

CUSTOMIZATION

- For customization, please consult Eurofase

ORDERING GUIDE

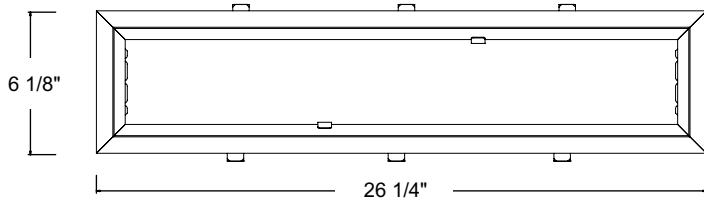
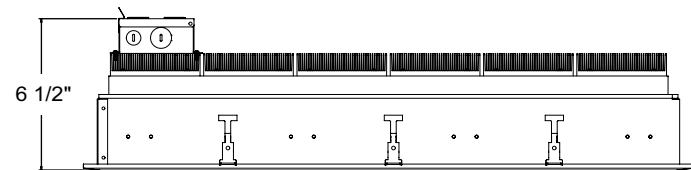
MODEL	FINISH
30308	-02 White

EXAMPLE: 30308-02

SPECIFICATIONS

LED	WATTS PER HEAD	TOTAL LUMENS	KELVIN	DIMMABLE	CRI	BEAM ANGLE
	14.4W	7080lm	3000K	TRIAC	80+	120°

PRODUCT DIMENSIONS



25 1/4"L x 5 1/8"W

FINISHES



-02 White

***HOUSING OPTIONS (SOLD SEPARATELY):**

Refer to page 244 for housing specification

24056-014 NEW CONSTRUCTION PLATE

30371-019 AIRTIGHT IC BOX
24076-012 INSULATED CEILING BOX



Dimension 37 1/2"L x 12 3/4"W x 1 3/8"H
Cut Hole 25 1/4"L x 5 1/8"W

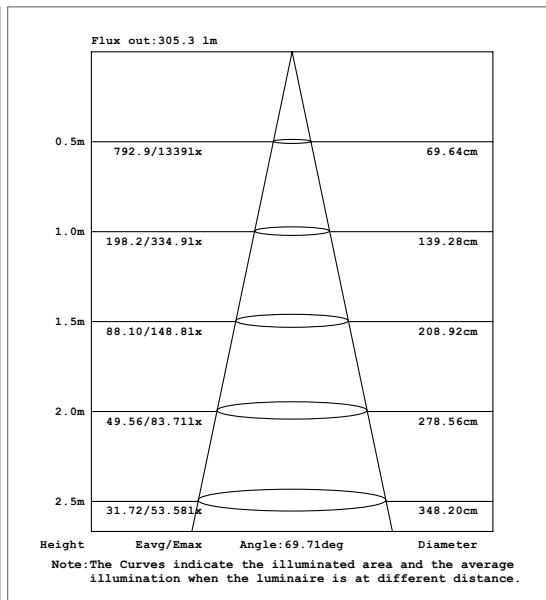
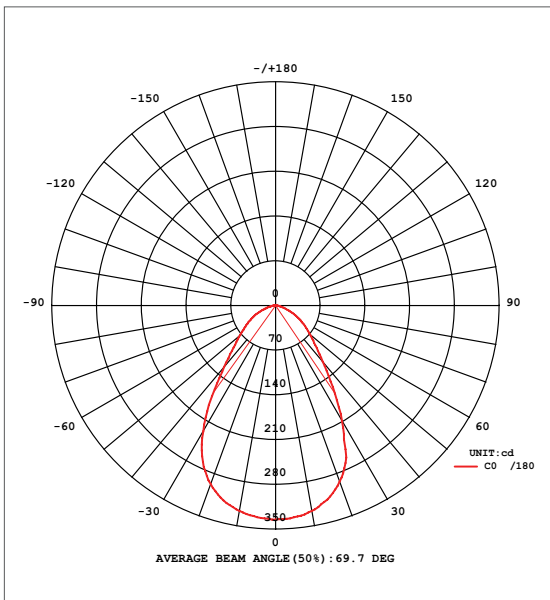


Dimension 37 1/2"L x 12 3/4"W x 11 1/2"H
Cut Hole 25 1/4"L x 5 1/8"W

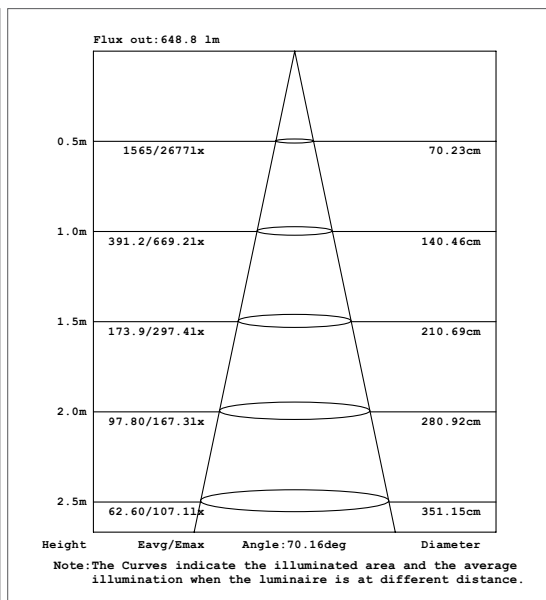
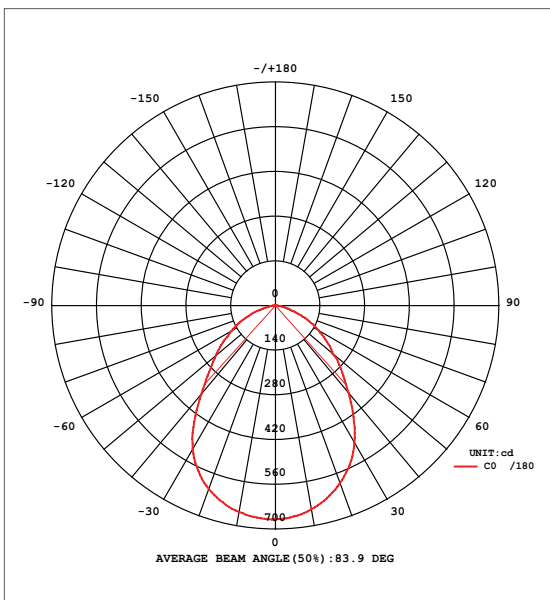
DIFFUSED LENS PHOTOMETRICS LED



30303



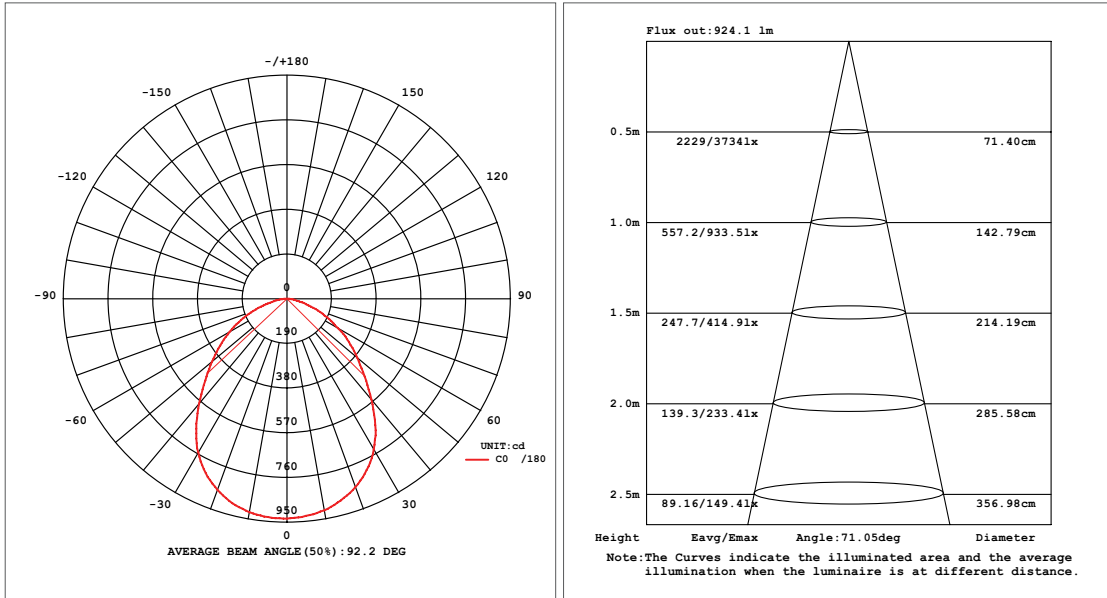
30304



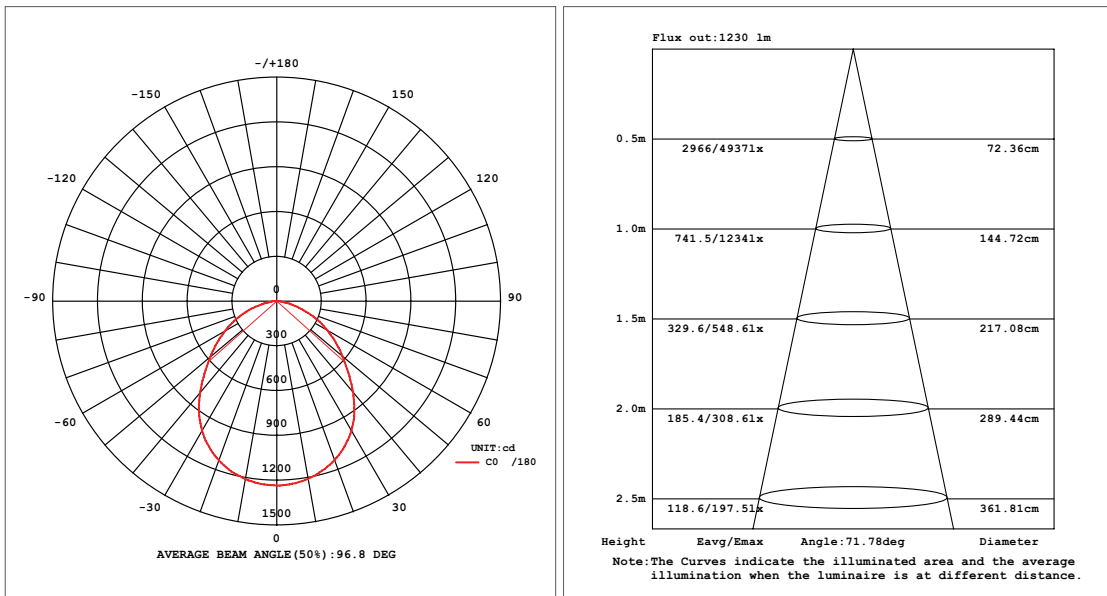
LED DIFFUSED LENS PHOTOMETRICS



30305



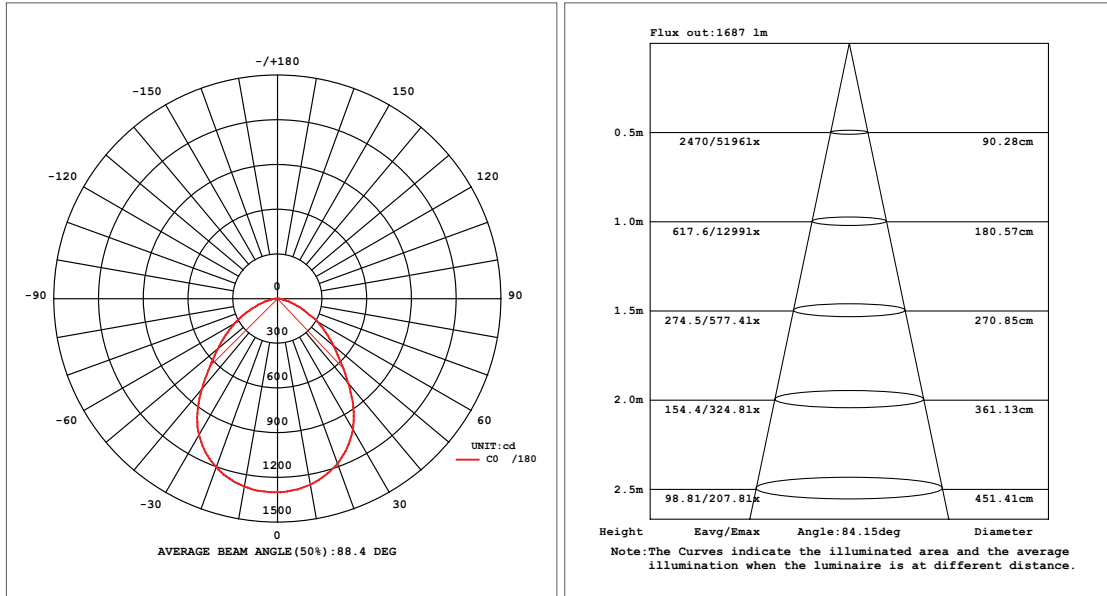
30306



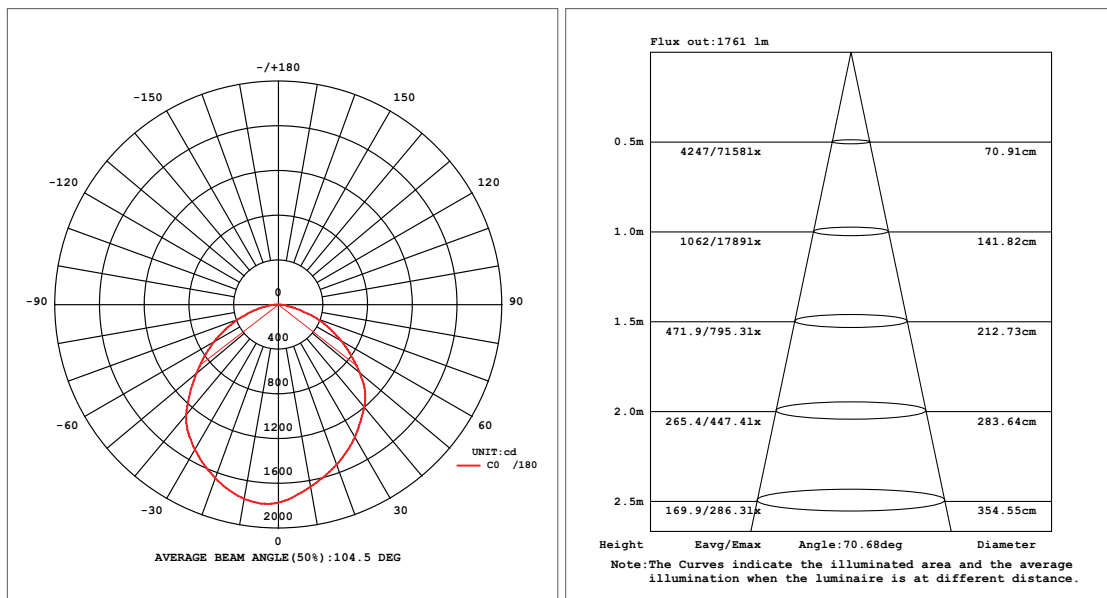
DIFFUSED LENS PHOTOMETRICS LED



30307



30308





RECESSED MULTIPLES & DOWNLIGHTS

LINEAR PANEL **LED**



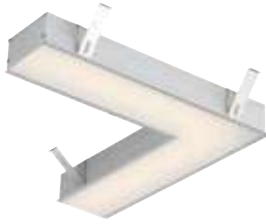
LED LINEAR PANEL

30345



PG 231

30346

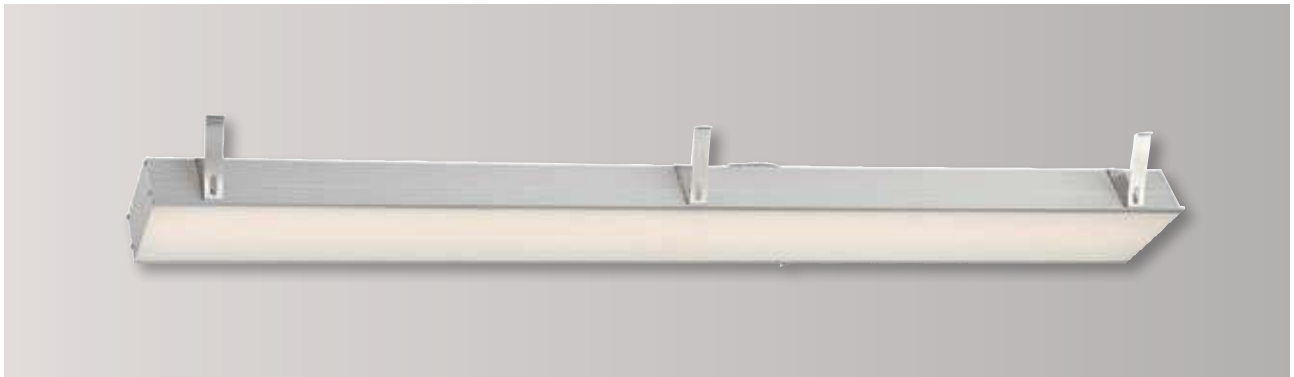


PG 232



LINEAR PANEL

30345-010



LAMPING

- 1 x 24W Integrated LED TRIAC Dimming.
For 0-10V and alternate dimming options consult Eurofase
- **Beam angle:** 120°
- **Kelvin:** 3000K
- **Total lumens:** 1330lm
- **CRI:** 80+
- **IP Rating:** IP20

ELECTRICAL

- Junction box has two 1/2" and four 3/4" knockouts for through branch circuit wiring
- Thermally protected
- **Input voltage:** 120V
For 277V and 347V input options consult Eurofase

HOUSING

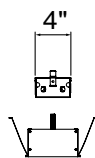
- Mounting clips suitable for 1/2" and 5/8" drywall
- Extruded 6063 aluminum housing
- Powder coated finish

DIMENSIONS

- **Cut hole:** 47 1/4"L x 3 11/16"W
- **Fixture:** 47 1/4"L x 4"W x 2"H

CUSTOMIZATION

- For customization, please consult Eurofase



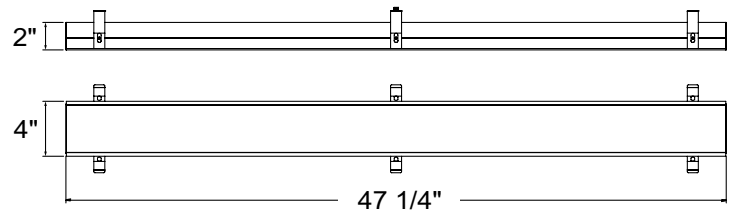
47 1/4"L x 3 11/16"W

SPECIFICATIONS

LED	WATTS PER HEAD	TOTAL LUMENS	KELVIN	DIMMABLE	CRI	BEAM ANGLE
	24W	1330lm	3000K	TRIAC	80+	120°

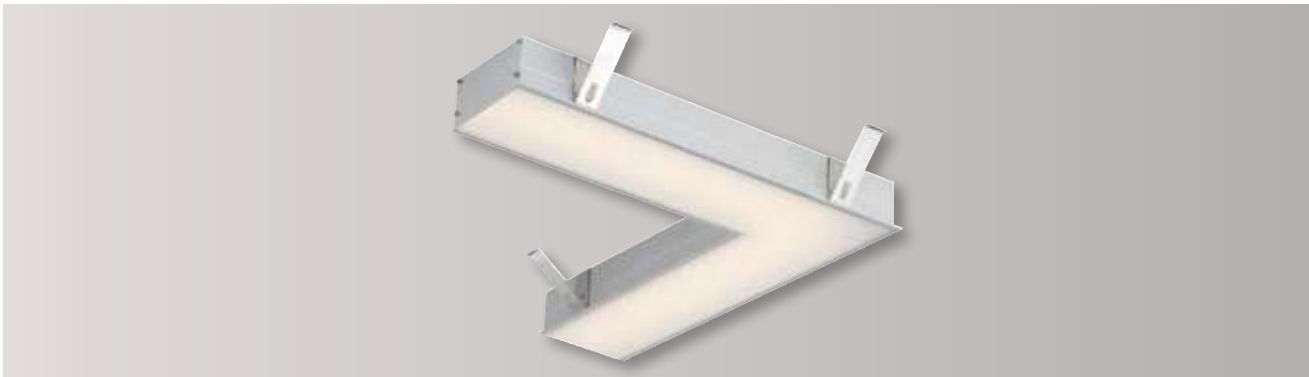


PRODUCT DIMENSIONS



LINEAR PANEL

30346-017



LAMPING

- 1 x 13W Integrated LED TRIAC Dimming.
For 0-10V and alternate dimming options consult Eurofase
- **Beam angle:** 120°
- **Kelvin:** 3000K
- **Total lumens:** 720lm
- **CRI:** 80+
- **IP Rating:** IP20

ELECTRICAL

- Junction box has two 1/2" and four 3/4" knockouts for through branch circuit wiring
- Thermally protected
- **Input voltage:** 120V
For 277V and 347V input options consult Eurofase

HOUSING

- Mounting clips suitable for 1/2" and 5/8" drywall
- Extruded 6063 aluminum housing
- Powder coated finish

DIMENSIONS

- **Cut hole:** 15 1/8"L (outer) x 11 9/16"L (inner) x 3 11/16"W
- **Fixture:** 15 1/4"L x 15 1/4"W x 3 1/4"H

CUSTOMIZATION

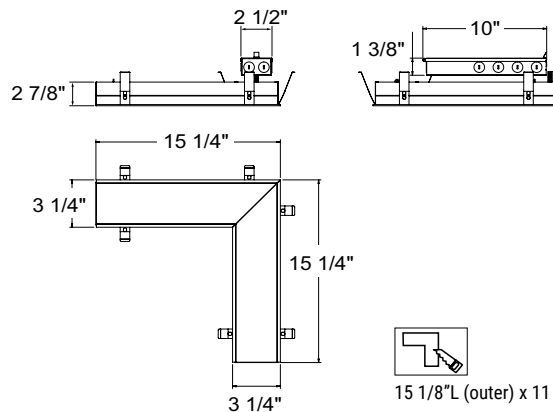
- For customization, please consult Eurofase

SPECIFICATIONS

LED	WATTS PER HEAD	TOTAL LUMENS	KELVIN	DIMMABLE	CRI	BEAM ANGLE
	13W	720lm	3000K	TRIAC	80+	120°

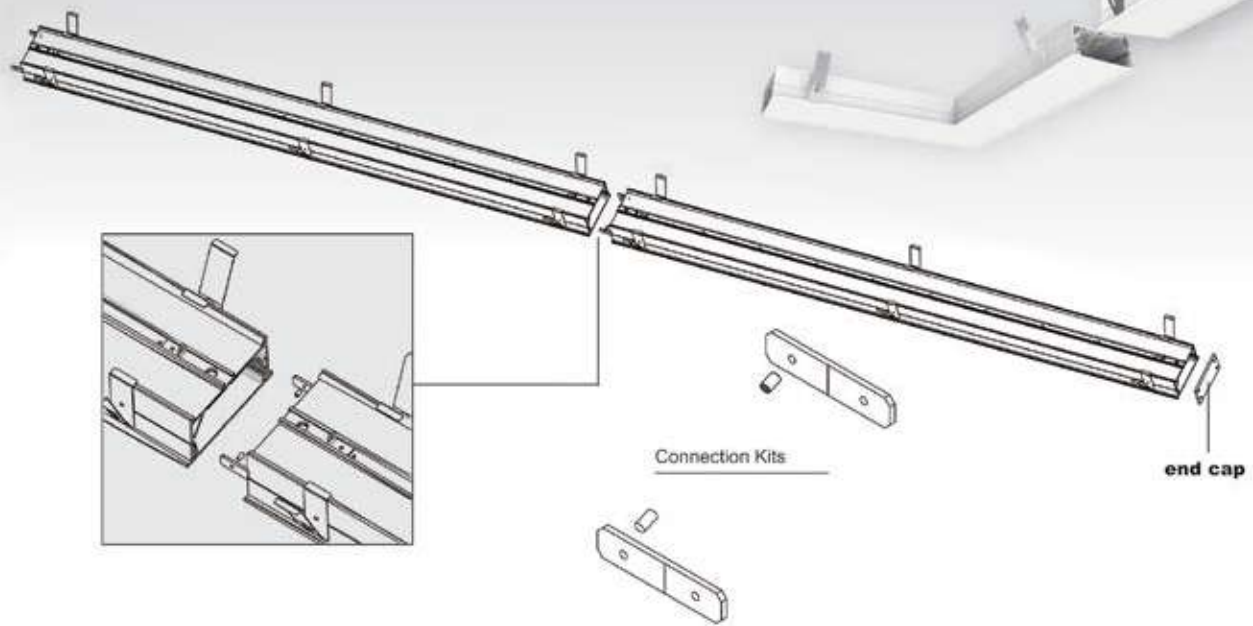


PRODUCT DIMENSIONS



LINEAR PANEL

Linear Panels are great for indoor cove lighting. Available in "I" & "L" shape to make various turns and patterns. For example; U shape, square shape or any shape with right angle, makes application more user friendly.















INSTALLATION STEPS






HOUSING SPECIFICATIONS







AMIGO 15W LED

AMIGO LED 15W TRIM					
	REMODEL #	NEW CONSTRUCTION PLATE		AIRTIGHT IC BOX* INSULATED CEILING BOX**	
1-LT 	28721 28722	30535-015 	DIMENSIONS: 11"L x 9"W x 1 3/8"H CUT HOLE: 3 1/4"L x 3 1/4"W	30531-021* 30531-017** 	DIMENSIONS: 11"L x 9"W x 9 1/2"H CUT HOLE: 3 1/4"L x 3 1/4"W
1-LT 	28719 28720	30534-018 	DIMENSIONS: 11"L x 9"W x 1 3/8"H CUT HOLE: ø3 1/4"	30530-026* 30530-010** 	DIMENSIONS: 11"L x 9"W x 9 1/2"H CUT HOLE: ø3 1/4"
2-LT 	31765 31763	31877-015 	DIMENSIONS: 17"L x 12 3/4"W x 1 3/8"H CUT HOLE: 6 13/16"L x 3 3/8"W	31879-023* 31879-019** 	DIMENSIONS: 17"L x 12 3/4"W x 11 1/2"H CUT HOLE: 6 13/16"L x 3 3/8"W
3-LT 	31766 31764	31878-012 	DIMENSIONS: 25"L x 12"W x 1 3/8"H CUT HOLE: 10 1/4"L x 3 3/8"W	31880-026* 31880-015** 	DIMENSIONS: 25"L x 12"W x 11 1/2"H CUT HOLE: 10 1/4"L x 3 3/8"W

AMIGO LED 15W TRIMLESS					
	REMODEL #	NEW CONSTRUCTION PLATE		AIRTIGHT IC BOX* INSULATED CEILING BOX**	
1-LT 	28717 28718	30536-012 	DIMENSIONS: 11"L x 9"W x 1 3/8"H CUT HOLE: 3"L x 3"W	30532-023* 30532-014** 	DIMENSIONS: 11"L x 9"W x 9 1/2"H CUT HOLE: 3"L x 3"W
1-LT 	28715 28716	30537-019 	DIMENSIONS: 11"L x 9"W x 1 3/8"H CUT HOLE: ø3"	30533-028* 30533-011** 	DIMENSIONS: 11"L x 9"W x 9 1/2"H CUT HOLE: ø3"
2-LT 	36024 36025	36226-016 	DIMENSIONS: 17"L x 12 3/4"W x 1 3/8"H CUT HOLE: 6 1/2"L x 3"W	36227-013* 	DIMENSIONS: 17"L x 12 3/4"W x 11 1/2"H CUT HOLE: 6 1/2"L x 3"W
3-LT 	36026 36027	36229-017 	DIMENSIONS: 25"L x 12"W x 1 3/8"H CUT HOLE: 10"L x 3"W	36230-013* 	DIMENSIONS: 25"L x 12"W x 11 1/2"H CUT HOLE: 10"L x 3"W

HOUSING SPECIFICATIONS

























LED AMIGO 26W

AMIGO LED 26W TRIM				
	REMODEL #	NEW CONSTRUCTION PLATE		AIRTIGHT IC BOX* INSULATED CEILING BOX**
1-LT 	35137 35138	36255-016 	DIMENSIONS: 12 3/4"L x 12 3/4"W x 1 3/8"H CUT HOLE: 6 1/4"L x 6 1/4"W	36203-017*  DIMENSIONS: 12 3/4"L x 12 3/4"W x 1 1/2"H CUT HOLE: 6 1/4"L x 6 1/4"W
1-LT 	35141 35142	36205-011 	DIMENSIONS: 12 3/4"L x 12 3/4"W x 1 3/8"H CUT HOLE: ø6 1/4"	36206-018*  DIMENSIONS: 12 3/4"L x 12 3/4"W x 1 1/2"H CUT HOLE: ø6 1/4"
2-LT 	35145 35146	36208-012 	DIMENSIONS: 18 1/4"L x 12 3/4"W x 1 3/8"H CUT HOLE: 12 1/4"L x 6"W	36209-019*  DIMENSIONS: 18 1/4"L x 12 3/4"W x 1 1/2"H CUT HOLE: 12 1/4"L x 6"W
3-LT 	35147 35148	36211-012 	DIMENSIONS: 24"L x 12 3/4"W x 1 3/8"H CUT HOLE: 18 1/2"L x 6"W	36212-019*  DIMENSIONS: 24"L x 12 3/4"W x 1 1/2"H CUT HOLE: 18 1/2"L x 6"W

AMIGO LED 26W TRIMLESS				
	REMODEL #	NEW CONSTRUCTION PLATE		AIRTIGHT IC BOX* INSULATED CEILING BOX**
1-LT 	35139 35140	36214-013 	DIMENSIONS: 12 3/4"L x 12 3/4"W x 1 3/8"H CUT HOLE: 6"L x 6"W	36215-010*  DIMENSIONS: 12 3/4"L x 12 3/4"W x 1 1/2"H CUT HOLE: 6"L x 6"W
1-LT 	35143 35144	36217-014 	DIMENSIONS: 12 3/4"L x 12 3/4"W x 1 3/8"H CUT HOLE: ø6 1/8"	36218-011*  DIMENSIONS: 12 3/4"L x 12 3/4"W x 1 1/2"H CUT HOLE: ø6 1/8"
2-LT 	35355 35356	36220-014 	DIMENSIONS: 20 1/4"L x 12 3/4"W x 1 3/8"H CUT HOLE: 12 3/8"L x 6 1/8"W	36221-011*  DIMENSIONS: 20 1/4"L x 12 3/4"W x 1 1/2"H CUT HOLE: 12 3/8"L x 6 1/8"W
3-LT 	35357 35358	36223-015 	DIMENSIONS: 27 1/4"L x 12 3/4"W x 1 3/8"H CUT HOLE: 18 5/8"L x 6 1/8"W	36224-012*  DIMENSIONS: 27 1/4"L x 12 3/4"W x 1 1/2"H CUT HOLE: 18 5/8"L x 6 1/8"W
















HOUSING SPECIFICATIONS




LED 15W LED

LED 15W TRIM					
	REMODEL #	NEW CONSTRUCTION PLATE		AIRTIGHT IC BOX* INSULATED CEILING BOX**	
1-LT 	TE161LED	24051-019 	DIMENSIONS: 12 3/4"L x 11 1/4"W x 1 3/8"H CUT HOLE: 5 1/8"L x 5 1/8"W	30366-015* 24071-017** 	DIMENSIONS: 12 3/4"L x 11 1/4"W x 11 1/2"H CUT HOLE: 5 1/8"L x 5 1/8"W
2-LT 		24052-016 	DIMENSIONS: 17"L x 12 3/4"W x 1 3/8"H CUT HOLE: 9 1/2"L x 5 1/8"W	30367-012* 24072-014** 	DIMENSIONS: 17"L x 12 3/4"W x 11 1/2"H CUT HOLE: 9 1/2"L x 5 1/8"W
3-LT 	TE163LED	24053-013 	DIMENSIONS: 22"L x 12 3/4"W x 1 3/8"H CUT HOLE: 13 3/8"L x 5 1/8"W	30368-019* 24073-011** 	DIMENSIONS: 22"L x 12 3/4"W x 11 1/2"H CUT HOLE: 13 3/8"L x 5 1/8"W
4-LT SQ 		24055-017 	DIMENSIONS: 24"L x 18"W x 1 3/8"H CUT HOLE: 9 1/2"L x 9 1/2"W	30370-012* 24075-015** 	DIMENSIONS: 24"L x 18"W x 11 1/2"H CUT HOLE: 9 1/2"L x 9 1/2"W
4-LT LINEAR 	TE164ALED	24054-010 	DIMENSIONS: 26"L x 12 3/4"W x 1 3/8"H CUT HOLE: 17 1/2"L x 5 1/8"W	30369-016* 24074-018** 	DIMENSIONS: 26"L x 12 3/4"W x 11 1/2"H CUT HOLE: 17 1/2"L x 5 1/8"W
LED 15W TRIMLESS					
	REMODEL #	NEW CONSTRUCTION PLATE		AIRTIGHT IC BOX* INSULATED CEILING BOX**	
1-LT 	TE611LED	24063-012 	DIMENSIONS: 11"L x 9"W x 1 3/8"H CUT HOLE: 4 3/16"L x 4 3/16"W	30378-018* 24083-010** 	DIMENSIONS: 11"L x 9"W x 9 1/2"H CUT HOLE: 4 3/16"L x 4 3/16"W
2-LT 		24064-019 	DIMENSIONS: 17"L x 8 3/4"W x 1 3/8"H CUT HOLE: 8 9/16"L x 4 3/16"W	30379-015* 24084-017** 	DIMENSIONS: 17"L x 8 3/4"W x 9 1/2"H CUT HOLE: 8 9/16"L x 4 3/16"W
3-LT 	TE613LED	24065-016 	DIMENSIONS: 19 3/4"L x 8 3/4"W x 1 3/8"H CUT HOLE: 12 5/8"L x 4 3/16"W	30380-011* 24085-014** 	DIMENSIONS: 19 3/4"L x 8 3/4"W x 9 1/2"H CUT HOLE: 12 5/8"L x 4 3/16"W
4-LT SQ 		24066-020 	DIMENSIONS: 20"L x 18"W x 1 3/8"H CUT HOLE: 8 9/16"L x 8 9/16"W	30382-015* 24086-028** 	DIMENSIONS: 20"L x 18"W x 11 1/2"H CUT HOLE: 8 9/16"L x 8 9/16"W

HOUSING SPECIFICATIONS

LED LED 26W
















LED 26W TRIM					
	REMODEL #	NEW CONSTRUCTION PLATE		AIRTIGHT IC BOX* INSULATED CEILING BOX**	
1-LT 	TE131LED	24057-011 	DIMENSIONS: 12 3/4"L x 12 3/4"W x 1 3/8"H CUT HOLE: 6 3/4"L x 6 3/4"W	30372-016* 24077-019** 	DIMENSIONS: 12 3/4"L x 12 3/4"W x 11 1/2"H CUT HOLE: 6 3/4"L x 6 3/4"W
2-LT 		24058-018 	DIMENSIONS: 20 1/4"L x 12 3/4"W x 1 3/8"H CUT HOLE: 12 3/4"L x 6 3/4"W	30373-013* 24078-016** 	DIMENSIONS: 20 1/4"L x 12 3/4"W x 11 1/2"H CUT HOLE: 12 3/4"L x 6 3/4"W
3-LT 	TE133LED	24059-015 	DIMENSIONS: 27 1/4"L x 12 3/4"W x 1 3/8"H CUT HOLE: 18"L x 6 3/4"W	30374-010* 24079-013** 	DIMENSIONS: 27 1/4"L x 12 3/4"W x 11 1/2"H CUT HOLE: 18"L x 6 3/4"W
4-LT SQ 		24061-018 	DIMENSIONS: 20"L x 18"W x 1 3/8"H CUT HOLE: 12 3/4"L x 12 3/4"W	30376-014* 24081-016** 	DIMENSIONS: 20"L x 18"W x 11 1/2"H CUT HOLE: 12 3/4"L x 12 3/4"W
4-LT LINEAR 	TE134ALED	24060-011 	DIMENSIONS: 34"L x 12 3/4"W x 1 3/8"H CUT HOLE: 23 5/8"L x 6 3/4"W	30375-017* 24080-019** 	DIMENSIONS: 34"L x 12 3/4"W x 11 1/2"H CUT HOLE: 23 5/8"L x 6 3/4"W

LED 26W TRIMLESS					
	REMODEL #	NEW CONSTRUCTION PLATE		AIRTIGHT IC BOX* INSULATED CEILING BOX**	
1-LT 	TE221LED	24067-010 	DIMENSIONS: 12 3/4"L x 12 3/4"W x 1 3/8"H CUT HOLE: 6 1/2"L x 6 1/2"W	30383-012* 24087-018** 	DIMENSIONS: 12 3/4"L x 12 3/4"W x 11 1/2"H CUT HOLE: 6 1/2"L x 6 1/2"W
2-LT 		24068-017 	DIMENSIONS: 18 1/4"L x 12 3/4"W x 1 3/8"H CUT HOLE: 12 1/2"L x 6 1/2"W	30384-019* 24088-015** 	DIMENSIONS: 18 1/4"L x 12 3/4"W x 9 1/2"H CUT HOLE: 12 1/2"L x 6 1/2"W
3-LT 	TE223LED	24069-014 	DIMENSIONS: 24"L x 12 3/4"W x 1 3/8"H CUT HOLE: 18 5/8"L x 6 1/2"W	30385-016* 24089-012** 	DIMENSIONS: 24"L x 12 3/4"W x 11 1/2"H CUT HOLE: 18 5/8"L x 6 1/2"W
4-LT SQ 		24070-010 	DIMENSIONS: 20"L x 18"W x 1 3/8"H CUT HOLE: 13"L x 13"W	30386-013* 24090-018** 	DIMENSIONS: 20"L x 18"W x 11 1/2"H CUT HOLE: 13"L x 13"W

HOUSING SPECIFICATIONS










GU10

GU10 TRIM					
	REMODEL #	NEW CONSTRUCTION PLATE		AIRTIGHT IC BOX* INSULATED CEILING BOX**	
1-LT 	TE111GU10	24051-019 	DIMENSIONS: 11 1/4"L x 12 3/4"W x 1 3/8"H CUT HOLE: 5 1/8"L x 5 1/8"W	30366-015* 24071-017** 	DIMENSIONS: 11 1/4"L x 12 3/4"W x 11 1/2"H CUT HOLE: 5 1/8"L x 5 1/8"W
2-LT 		24052-016 	DIMENSIONS: 17"L x 12 3/4"W x 1 3/8"H CUT HOLE: 9 1/2"L x 5 1/8"W	30367-012* 24072-014** 	DIMENSIONS: 17"L x 12 3/4"W x 11 1/2"H CUT HOLE: 9 1/2"L x 5 1/8"W
3-LT 	TE113GU10	24053-013 	DIMENSIONS: 22"L x 12 3/4"W x 1 3/8"H CUT HOLE: 13 5/8"L x 5 1/8"W	30368-019* 24073-011** 	DIMENSIONS: 22"L x 12 3/4"W x 11 1/2"H CUT HOLE: 13 5/8"L x 5 1/8"W
4-LT SQ 		24055-017 	DIMENSIONS: 24"L x 18"W x 1 3/8"H CUT HOLE: 9 1/2"L x 9 1/2"W	30370-012* 24075-015** 	DIMENSIONS: 24"L x 18"W x 11 1/2"H CUT HOLE: 9 1/2"L x 9 1/2"W
4-LT LINEAR 	TE114AGU10	24054-010 	DIMENSIONS: 26"L x 12 3/4"W x 1 3/8"H CUT HOLE: 17 1/2"L x 5 1/8"W	30369-016* 24074-018** 	DIMENSIONS: 26"L x 12 3/4"W x 11 1/2"H CUT HOLE: 17 1/2"L x 5 1/8"W



HOUSING SPECIFICATIONS



















GU10

GU10 TRIMLESS			
	REMODEL #	NEW CONSTRUCTION PLATE	AIRTIGHT IC BOX* INSULATED CEILING BOX**
1-LT 	TE211GU10	24063-012  DIMENSIONS: 11"L x 9"W x 1 3/8"H CUT HOLE: 4 3/16"L x 4 3/16"W	30378-018* 24083-010**  DIMENSIONS: 11"L x 9"W x 9 1/2"H CUT HOLE: 4 3/16"L x 4 3/16"W
2-LT 	TE212GU10	24064-019  DIMENSIONS: 12"L x 8 3/4"W x 1 3/8"H CUT HOLE: 8 9/16"L x 4 3/16"W	30379-015* 24084-017**  DIMENSIONS: 12"L x 8 3/4"W x 9 1/2"H CUT HOLE: 8 9/16"L x 4 3/16"W
3-LT 	TE213GU10	24065-016  DIMENSIONS: 19 3/4"L x 8 3/4"W x 1 3/8"H CUT HOLE: 12 5/8"L x 4 3/16"W	30380-011* 24085-014**  DIMENSIONS: 19 3/4"L x 8 3/4"W x 9 1/2"H CUT HOLE: 12 5/8"L x 4 3/16"W
4-LT SQ 	TE214BGU10	24066-020  DIMENSIONS: 20"L x 18"W x 1 3/8"H CUT HOLE: 8 9/16"L x 8 9/16"W	30382-015* 24086-028**  DIMENSIONS: 20"L x 18"W x 11 1/2"H CUT HOLE: 8 9/16"L x 8 9/16"W

HOUSING SPECIFICATIONS



PAR20

PAR20 TRIM					
	REMODEL #	NEW CONSTRUCTION PLATE		AIRTIGHT IC BOX* INSULATED CEILING BOX**	
1-LT 	TE161	24051-019 	DIMENSIONS: 11 1/4" x 12 3/4"W x 1 3/8"H CUT HOLE: 5 1/8"L x 5 1/8"W	30366-015* 24071-017** 	DIMENSIONS: 11 1/4" x 12 3/4"W x 11 1/2"H CUT HOLE: 5 1/8"L x 5 1/8"W
2-LT 		24052-016 	DIMENSIONS: 17"L x 12 3/4"W x 1 3/8"H CUT HOLE: 9 1/2"L x 5 1/8"W	30367-012* 24072-014** 	DIMENSIONS: 17"L x 12 3/4"W x 11 1/2"H CUT HOLE: 9 1/2"L x 5 1/8"W
3-LT 	TE163	24053-013 	DIMENSIONS: 22"L x 12 3/4"W x 1 3/8"H CUT HOLE: 13 1/2"L x 5 3/16"W	30368-019* 24073-011** 	DIMENSIONS: 22"L x 12 3/4"W x 11 1/2"H CUT HOLE: 13 1/2"L x 5 3/16"W
4-LT SQ 		24055-017 	DIMENSIONS: 24"L x 18"W x 1 3/8"H CUT HOLE: 9 1/2"L x 9 1/2"W	30370-012* 24075-015** 	DIMENSIONS: 24"L x 18"W x 11 1/2"H CUT HOLE: 9 1/2"L x 9 1/2"W
4-LT LINEAR 	TE164A	24054-010 	DIMENSIONS: 26"L x 12 3/4"W x 1 3/8"H CUT HOLE: 17 1/2"L x 5 1/8"W	30369-016* 24074-018** 	DIMENSIONS: 26"L x 12 3/4"W x 11 1/2"H CUT HOLE: 17 1/2"L x 5 1/8"W
6-LT 		24056-014 	DIMENSIONS: 37 1/2"L x 12 3/4"W x 1 3/8"H CUT HOLE: 25 5/16"L x 5 1/8"W	30371-019* 24076-012** 	DIMENSIONS: 37 1/2"L x 12 3/4"W x 11 1/2"H CUT HOLE: 25 5/16"L x 5 1/8"W



HOUSING SPECIFICATIONS

PAR30













PAR30 TRIM			
	REMODEL #	NEW CONSTRUCTION PLATE	AIRTIGHT IC BOX* INSULATED CEILING BOX**
<p>1-LT</p> 	TE131	<p>24057-011</p>  <p>DIMENSIONS: 12 3/4"L x 12 3/4"W x 1 3/8"H</p> <p>CUT HOLE: 6 3/4"L x 6 3/4"W</p>	<p>30372-016* 24077-019**</p>  <p>DIMENSIONS: 12 3/4"L x 12 3/4"W x 1 1/2"H</p> <p>CUT HOLE: 6 3/4"L x 6 3/4"W</p>
<p>2-LT</p> 		TE132	<p>24058-018</p>  <p>DIMENSIONS: 20 1/4"L x 12 3/4"W x 1 3/8"H</p> <p>CUT HOLE: 12 3/4"L x 6 3/4"W</p>
<p>3-LT</p> 	TE133		<p>24059-015</p>  <p>DIMENSIONS: 27 1/4"L x 12 3/4"W x 1 3/8"H</p> <p>CUT HOLE: 18"L x 6 3/4"W</p>
<p>4-LT SQ</p> 		TE134B	<p>24061-018</p>  <p>DIMENSIONS: 20"L x 18"W x 1 3/8"H</p> <p>CUT HOLE: 12 3/4"L x 12 3/4"W</p>
<p>4-LT LINEAR</p> 	TE134A		<p>24060-011</p>  <p>DIMENSIONS: 24"L x 12 3/4"W x 1 3/8"H</p> <p>CUT HOLE: 23 1/2"L x 6 3/4"W</p>
<p>6-LT</p> 		TE136A	<p>24062-015</p>  <p>DIMENSIONS: 43 1/2"L x 12 3/4"W x 1 3/8"H</p> <p>CUT HOLE: 34 1/2"L x 6 3/4"W</p>

RECESSED MULTIPLES & DOWNLIGHTS - HOUSING SPECIFICATIONS: PAR20 & PAR30

HOUSING SPECIFICATIONS



PAR30

PAR30 TRIMLESS			
	REMODEL #	NEW CONSTRUCTION PLATE	AIRTIGHT IC BOX* INSULATED CEILING BOX**
1-LT 	TE221	31421-010  DIMENSIONS: 12 3/4"L x 12 3/4"W x 1 3/8"H CUT HOLE: 6"L x 6"W	31423-014* 31422-017**  DIMENSIONS: 12 3/4"L x 12 3/4"W x 11 1/2"H CUT HOLE: 6"L x 6"W
2-LT 	TE222	31424-011  DIMENSIONS: 18 1/4"L x 12 3/4"W x 1 3/8"H CUT HOLE: 11 9/16"L x 6"W	31426-015* 31425-018**  DIMENSIONS: 18 1/4"L x 12 3/4"W x 11 1/2"H CUT HOLE: 11 9/16"L x 6"W
3-LT 	TE223	31427-015  DIMENSIONS: 24"L x 12 3/4"W x 1 3/8"H CUT HOLE: 17"L x 6"W	31429-016* 31428-019**  DIMENSIONS: 24"L x 12 3/4"W x 11 1/2"H CUT HOLE: 17"L x 6"W
4-LT SQ 	TE224B	24070-010  DIMENSIONS: 20"L x 18"W x 1 3/8"H CUT HOLE: 13"L x 13"W	30386-013* 24090-018**  DIMENSIONS: 20"L x 18"W x 11 1/2"H CUT HOLE: 13"L x 13"W

HOUSING SPECIFICATIONS

LED DIFFUSED LENS

LED DIFFUSED			
	REMODEL #	NEW CONSTRUCTION PLATE	AIRTIGHT IC BOX* INSULATED CEILING BOX**
<p>1-LT</p> 	30303	<p>24051-019</p>  <p>DIMENSIONS: 11 1/4"L x 12 3/4"W x 1 3/8"H</p> <p>CUT HOLE: 5 1/8"L x 5 1/8"W</p>	<p>30366-015* 24071-017**</p>  <p>DIMENSIONS: 11 1/4"L x 12 3/4"W x 11 1/2"H</p> <p>CUT HOLE: 5 1/8"L x 5 1/8"W</p>
<p>2-LT</p> 		<p>24052-016</p>  <p>DIMENSIONS: 17"L x 12 3/4"W x 1 3/8"H</p> <p>CUT HOLE: 9 1/2"L x 5 1/8"W</p>	<p>30367-012* 24072-014**</p>  <p>DIMENSIONS: 17"L x 12 3/4"W x 11 1/2"H</p> <p>CUT HOLE: 9 1/2"L x 5 1/8"W</p>
<p>3-LT</p> 	30305	<p>24053-013</p>  <p>DIMENSIONS: 22"L x 12 3/4"W x 1 3/8"H</p> <p>CUT HOLE: 13 3/8"L x 5 1/8"W</p>	<p>30368-019* 24073-011**</p>  <p>DIMENSIONS: 22"L x 12 3/4"W x 11 1/2"H</p> <p>CUT HOLE: 13 3/8"L x 5 1/8"W</p>
<p>4-LT LINEAR</p> 		<p>24054-010</p>  <p>DIMENSIONS: 26"L x 12 3/4"W x 1 3/8"H</p> <p>CUT HOLE: 17 3/8"L x 5 1/8"W</p>	<p>30369-016* 24074-018**</p>  <p>DIMENSIONS: 26"L x 12 3/4"W x 11 1/2"H</p> <p>CUT HOLE: 17 3/8"L x 5 1/8"W</p>
<p>4-LT SQ</p> 	30307	<p>24055-017</p>  <p>DIMENSIONS: 24"L x 18"W x 1 3/8"H</p> <p>CUT HOLE: 9 1/2"L x 9 1/2"W</p>	<p>30370-012* 24075-015**</p>  <p>DIMENSIONS: 24"L x 18"W x 11 1/2"H</p> <p>CUT HOLE: 9 1/2"L x 9 1/2"W</p>
<p>6-LT LINEAR</p> 		<p>24056-014</p>  <p>DIMENSIONS: 37 1/2"L x 12 3/4"W x 1 3/8"H</p> <p>CUT HOLE: 25 1/4"L x 5 1/8"W</p>	<p>30371-019* 24076-012**</p>  <p>DIMENSIONS: 37 1/2"L x 12 3/4"W x 11 1/2"H</p> <p>CUT HOLE: 25 1/4"L x 5 1/8"W</p>

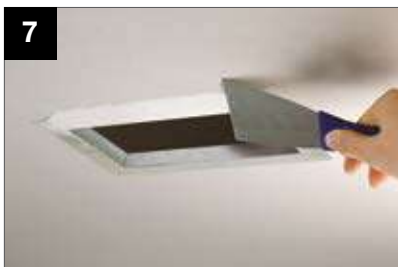
RECESSED MULTIPLES & DOWNLIGHTS - HOUSING SPECIFICATIONS: PAR30 & DIFFUSED LENS

TRIM INSTALLATION





TRIMLESS INSTALLATION



RECESSED MULTIPLES & DOWNLIGHTS

SURFACE MULTIPLE LED





RECESSED MULTIPLES & DOWNLIGHTS

SURFACE MULTIPLE

SANTO **LED**

VERTICAL ADJUSTMENT: 20°



SURFACE MULTIPLE

SANTO

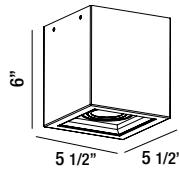
32687-019
SANTO, 1-LIGHT LED FLUSHMOUNT

LED

WATTS PER HEAD	TOTAL LUMENS	KELVIN	DIMMABLE	CRI	BEAM ANGLE
11W	1480lm	3500K	TRIAC	80+	40°



ADJUSTABLE



FINISH

- 18 gauge steel housing powder coated white
- Powder coated white gimbal with chrome reflector

LAMPING

- 1 x 11W Integrated LED
- **Kelvin:** 3500K
- **Lumens per head:** 1480lm
- **Total Lumens:** 1480lm
- **CRI:** 80+
- **Dimming:** TRIAC
For 0-10V and alternate dimming options consult Eurofase
- **Input Voltage:** 120V
For 277V and 347V input options consult Eurofase
- **Beam Angle:** 40°
- **Vertical Adjustment:** 20°

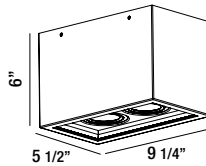
32688-016
SANTO, 2-LIGHT LED FLUSHMOUNT

LED

WATTS PER HEAD	TOTAL LUMENS	KELVIN	DIMMABLE	CRI	BEAM ANGLE
11W	2960lm	3500K	TRIAC	80+	40°



ADJUSTABLE



FINISH

- 18 gauge steel housing powder coated white
- Powder coated white gimbal with chrome reflector

LAMPING

- 2 x 11W Integrated LED
- **Kelvin:** 3500K
- **Lumens per head:** 1480lm
- **Total Lumens:** 2960lm
- **CRI:** 80+
- **Dimming:** TRIAC
For 0-10V and alternate dimming options consult Eurofase
- **Input Voltage:** 120V
For 277V and 347V input options consult Eurofase
- **Beam Angle:** 40°
- **Vertical Adjustment:** 20°

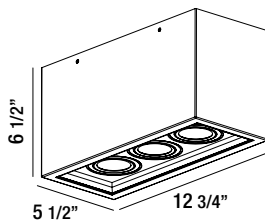
32689-013
SANTO, 3-LIGHT LED FLUSHMOUNT

LED

WATTS PER HEAD	TOTAL LUMENS	KELVIN	DIMMABLE	CRI	BEAM ANGLE
11W	4440lm	3500K	TRIAC	80+	40°



ADJUSTABLE



FINISH

- 18 gauge steel housing powder coated white
- Powder coated white gimbal with chrome reflector

LAMPING

- 3 x 11W Integrated LED
- **Kelvin:** 3500K
- **Lumens per head:** 1480lm
- **Total Lumens:** 4440lm
- **CRI:** 80+
- **Dimming:** TRIAC
For 0-10V and alternate dimming options consult Eurofase
- **Input Voltage:** 120V
For 277V and 347V input options consult Eurofase
- **Beam Angle:** 40°
- **Vertical Adjustment:** 20°

RECESSED MULTIPLES & DOWNLIGHTS

SURFACE MULTIPLE

NYMARK **LED**

VERTICAL ADJUSTMENT: 50°



SURFACE MULTIPLE

NYMARK

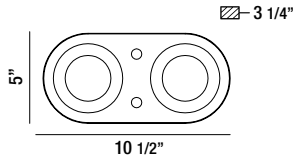
33617-015
NYMARK, 2-LIGHT LED SURFACE MOUNT

LED

WATTS PER HEAD	TOTAL LUMENS	KELVIN	DIMMABLE	CRI	BEAM ANGLE
10W	1700lm	3000K	TRIAC	80+	60°



ADJUSTABLE



FINISH

- 18 gauge steel housing powder coated white
- Powder coated white gimbal with chrome reflector

LAMPING

- 2 x 10W Integrated LED
- Kelvin: 3000K
- Lumens per head: 850lm
- Total Lumens: 1700lm
- CRI: 80+
- Dimming: TRIAC
- For 0-10V and alternate dimming options consult Eurofase
- Input Voltage: 120V
- For 277V and 347V input options consult Eurofase
- Beam Angle: 60°
- Vertical Adjustment: 50°

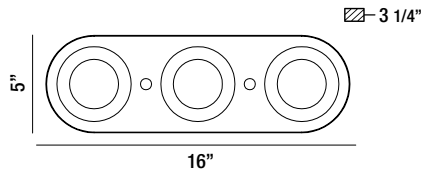
33618-012
NYMARK, 3-LIGHT LED SURFACE MOUNT

LED

WATTS PER HEAD	TOTAL LUMENS	KELVIN	DIMMABLE	CRI	BEAM ANGLE
10W	2550lm	3000K	TRIAC	80+	60°



ADJUSTABLE



FINISH

- 18 gauge steel housing powder coated white
- Powder coated white gimbal with chrome reflector

LAMPING

- 3 x 10W Integrated LED
- Kelvin: 3000K
- Lumens per head: 850lm
- Total Lumens: 2550lm
- CRI: 80+
- Dimming: TRIAC
- For 0-10V and alternate dimming options consult Eurofase
- Input Voltage: 120V
- For 277V and 347V input options consult Eurofase
- Beam Angle: 60°
- Vertical Adjustment: 50°

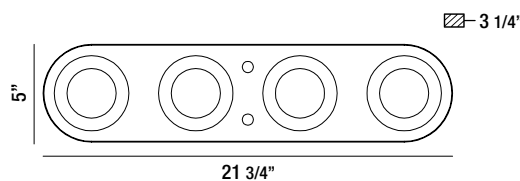
33619-019
NYMARK, 4-LIGHT LED SURFACE MOUNT

LED

WATTS PER HEAD	TOTAL LUMENS	KELVIN	DIMMABLE	CRI	BEAM ANGLE
10W	3400lm	3000K	TRIAC	80+	60°



ADJUSTABLE



FINISH

- 18 gauge steel housing powder coated white
- Powder coated white gimbal with chrome reflector

LAMPING

- 4 x 10W Integrated LED
- Kelvin: 3000K
- Lumens per head: 850lm
- Total Lumens: 3400lm
- CRI: 80+
- Dimming: TRIAC
- For 0-10V and alternate dimming options consult Eurofase
- Input Voltage: 120V
- For 277V and 347V input options consult Eurofase
- Beam Angle: 60°
- Vertical Adjustment: 50°

RECESSED MULTIPLES & DOWNLIGHTS

SURFACE MULTIPLE

VISION **LED**

EYEBALL LENS ROTATES 360 DEGREES
WITHIN THE FRAME



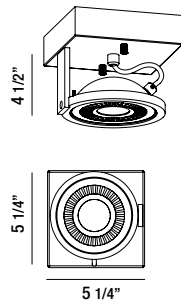
SURFACE MULTIPLE

VISION

29489-015
VISION, 1-LIGHT LED SURFACE MOUNT



ADJUSTABLE



LED

WATTS PER HEAD	TOTAL LUMENS	KELVIN	DIMMABLE	CRI	BEAM ANGLE
5W	450lm	3000K	TRIAC	80+	60°

FEATURE

- Rotatable gimbal 360°
- Omni directional

FINISH

- White powder coated aluminum gimbal with black powder coated heat sink
- 18 gauge powder coated steel

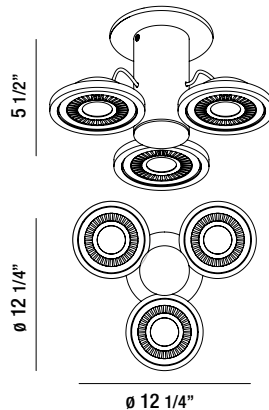
LAMPING

- 1 x 5W Integrated LED
- **Kelvin:** 3000K
- **Lumen per head:** 450lm
- **CRI:** 80+
- **Dimming:** TRIAC
For 0-10V and alternate dimming options consult Eurofase
- **Input Voltage:** 120V
For 277V and 347V input options consult Eurofase
- **Beam Angle:** 60°

29486-014
VISION, 3-LIGHT LED SURFACE MOUNT



ADJUSTABLE



LED

WATTS PER HEAD	TOTAL LUMENS	KELVIN	DIMMABLE	CRI	BEAM ANGLE
5W	1350lm	3000K	TRIAC	80+	60°

FEATURE

- Rotatable gimbal 360°
- Omni directional

FINISH

- White powder coated aluminum gimbal with black powder coated heat sink
- 18 gauge powder coated steel

LAMPING

- 3 x 5W Integrated LED
- **Kelvin:** 3000K
- **Lumen per head:** 450lm
- **Total Lumens:** 1350lm
- **CRI:** 80+
- **Dimming:** TRIAC
For 0-10V and alternate dimming options consult Eurofase
- **Input Voltage:** 120V
For 277V and 347V input options consult Eurofase
- **Beam Angle:** 60°

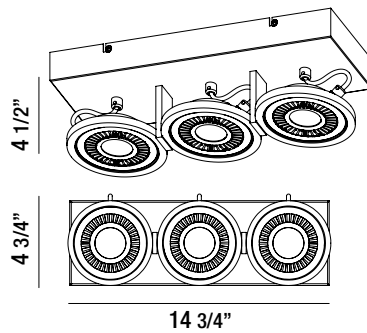
SURFACE MULTIPLE

VISION

29488-018
VISION, 3-LIGHT LED LINEAR SURFACE MOUNT

LED

WATTS PER HEAD	TOTAL LUMENS	KELVIN	DIMMABLE	CRI	BEAM ANGLE
5W	1350Lm	3000K	TRIAC	80+	60°



ADJUSTABLE

FEATURE

- Rotatable gimbal 360°
- Omni directional

FINISH

- White powder coated aluminum gimbal with black powder coated heat sink
- 18 gauge powder coated steel

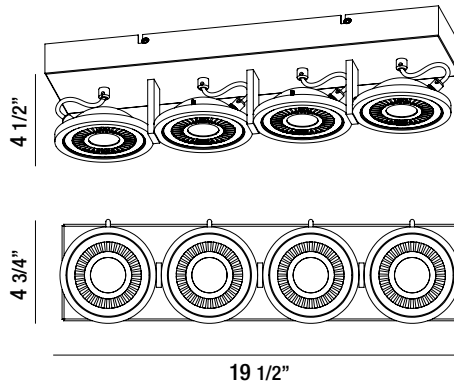
LAMPING

- 3 x 5W Integrated LED
- Kelvin: 3000K
- Lumen per head: 450lm
- Total Lumens: 1350lm
- CRI: 80+
- Dimming: TRIAC
For 0-10V and alternate dimming options consult Eurofase
- Input Voltage: 120V
For 277V and 347V input options consult Eurofase
- Beam Angle: 60°

29482-016
VISION, 4-LIGHT LED LINEAR SURFACE MOUNT

LED

WATTS PER HEAD	TOTAL LUMENS	KELVIN	DIMMABLE	CRI	BEAM ANGLE
5W	1800Lm	3000K	TRIAC	80+	60°



ADJUSTABLE

FEATURE

- Rotatable gimbal 360°
- Omni directional

FINISH

- White powder coated aluminum gimbal with black powder coated heat sink
- 18 gauge powder coated steel

LAMPING

- 4 x 5W Integrated LED
- Kelvin: 3000K
- Lumen per head: 450lm
- Total Lumens: 1800lm
- CRI: 80+
- Dimming: TRIAC
For 0-10V and alternate dimming options consult Eurofase
- Input Voltage: 120V
For 277V and 347V input options consult Eurofase
- Beam Angle: 60°

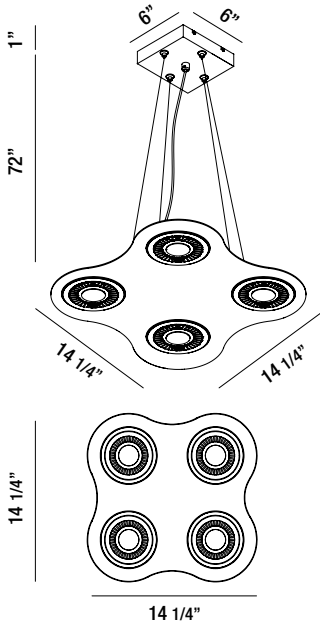
SURFACE MULTIPLE

VISION

29485-017
VISION, 4-LIGHT LED PENDANT

LED

WATTS PER HEAD	TOTAL LUMENS	KELVIN	DIMMABLE	CRI	BEAM ANGLE
5W	1800lm	3000K	TRIAC	80+	60°



FEATURE

- Rotatable gimbal 360°
- Omni directional

FINISH

- White powder coated aluminum gimbal with black powder coated heat sink
- 18 gauge powder coated steel

LAMPING

- 4 x 5W Integrated LED
- **Kelvin:** 3000K
- **Lumen per head:** 450lm
- **Total Lumens:** 1800lm
- **CRI:** 80+
- **Dimming:** TRIAC
For 0-10V and alternate dimming options consult Eurofase
- **Input Voltage:** 120V
For 277V and 347V input options consult Eurofase
- **Beam Angle:** 60°

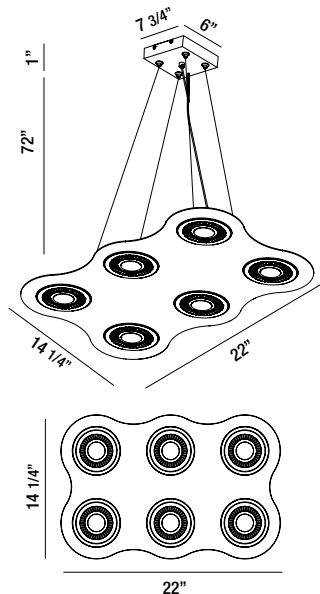


ADJUSTABLE

29484-010
VISION, 6-LIGHT LED PENDANT

LED

WATTS PER HEAD	TOTAL LUMENS	KELVIN	DIMMABLE	CRI	BEAM ANGLE
5W	2700lm	3000K	TRIAC	80+	60°



FEATURE

- Rotatable gimbal 360°
- Omni directional

FINISH

- White powder coated aluminum gimbal with black powder coated heat sink
- 18 gauge powder coated steel

LAMPING

- 6 x 5W Integrated LED
- **Kelvin:** 3000K
- **Lumen per head:** 450lm
- **Total Lumens:** 2700lm
- **CRI:** 80+
- **Dimming:** TRIAC
For 0-10V and alternate dimming options consult Eurofase
- **Input Voltage:** 120V
For 277V and 347V input options consult Eurofase
- Integrated dimmable LED drive
- **Beam Angle:** 60°



ADJUSTABLE

RECESSED MULTIPLES & DOWNLIGHTS

SURFACE MULTIPLE

VENUE **LED**

MODERN AND LOW PROFILE SURFACE
MOUNTED LED COLLECTION OFFERING
ADJUSTABLE DIFFUSED LIGHT



SURFACE MULTIPLE

VENUE

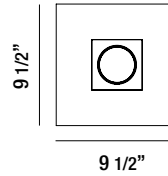
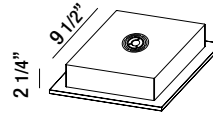
27991-015
VENUE, 1-LIGHT LED SURFACE MOUNT

LED

WATTS PER HEAD	TOTAL LUMENS	KELVIN	DIMMABLE	CRI	BEAM ANGLE
9.2W	650lm	3000K	TRIAC	80+	120°



ADJUSTABLE



FINISH

- 18 gauge white steel powder coated finish frame
- Modular LED heads
- Frosted lens

LAMPING

- 1 x 9.2W Integrated LED
- Kelvin: 3000K
- Lumen per head: 650lm
- CRI: 80+
- Dimming: TRIAC
- Input Voltage: 120V
- Beam Angle: 120°

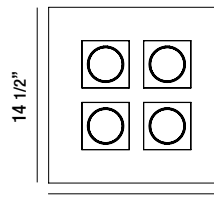
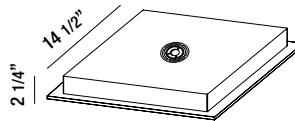
27992-012
VENUE, 4-LIGHT LED SQUARE SURFACE MOUNT

LED

WATTS PER HEAD	TOTAL LUMENS	KELVIN	DIMMABLE	CRI	BEAM ANGLE
9.2W	2600lm	3000K	TRIAC	80+	120°



ADJUSTABLE



14 1/2"

FINISH

- 18 gauge white steel powder coated finish frame
- Modular LED heads
- Frosted lens

LAMPING

- 4 x 9.2W Integrated LED
- Kelvin: 3000K
- Lumen per head: 650lm
- Total Lumens: 2600lm
- CRI: 80+
- Dimming: TRIAC
- Input Voltage: 120V
- Beam Angle: 120°

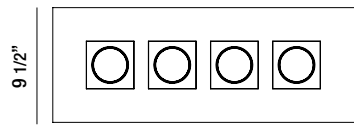
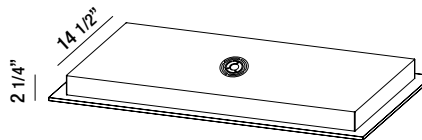
27993-019
VENUE, 4-LIGHT LED LINEAR SURFACE MOUNT

LED

WATTS PER HEAD	TOTAL LUMENS	KELVIN	DIMMABLE	CRI	BEAM ANGLE
9.2W	2600lm	3000K	TRIAC	80+	120°



ADJUSTABLE



24 3/4"

FINISH

- 18 gauge white steel powder coated finish frame
- Modular LED heads
- Frosted lens

LAMPING

- 4 x 9.2W Integrated LED
- Kelvin: 3000K
- Lumen per head: 650lm
- Total Lumens: 2600lm
- CRI: 80+
- Dimming: TRIAC
- Input Voltage: 120V
- Beam Angle: 120°



RECESSED

2" ROUND GIMBAL LED RECESSED

34894



LAMPING

- 1 x 5W Integrated LED TRIAC Dimming. For 0-10V and alternate dimming options consult Eurofase
- **Beam angle:** 40°
- **Kelvin:** 3000K / 4000K
- **Lumen per head:** 350lm
- **CRI:** 90+

ELECTRICAL

- Class 2 dimmable constant current driver (included)
- Thermally protected
- **Input voltage:** 120V
- For 277V and 347V input options consult Eurofase

HOUSING

- Cast aluminum structure
- New construction plate, sold separately (refer to housing options)*

DIMENSIONS

- **Cut hole:** $\varnothing 2"$
- **Fixture:** 2 1/2"L x 1 5/8"H

CUSTOMIZATION

- For customization, please consult Eurofase

ORDERING GUIDE

MODEL	KELVIN	FINISH
34894	-30 3000K	-01 Black
	-40 4000K	-02 White

EXAMPLE: 34894-30-01



QUICK CONNECT



IC AIR TIGHT RATED



ENERGY STAR



DAMP LOCATION

SPECIFICATIONS

LED	WATTS	LUMENS	KELVIN	DIMMABLE	CRI	BEAM ANGLE
	5W	350lm	3000K / 4000K	TRIAC	90+	40°



FINISHES

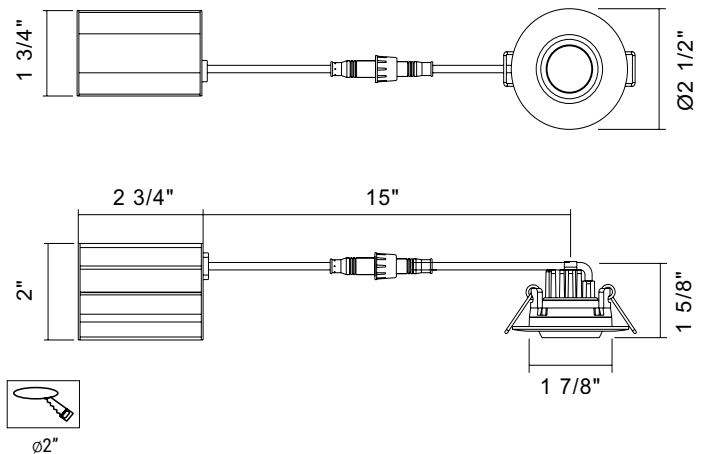


-01 Black



-02 White

PRODUCT DIMENSIONS



***HOUSING OPTIONS (SOLD SEPARATELY):**



NO IC BOX REQUIRED

35459-019 NEW CONSTRUCTION PLATE



Dimension 9"L x 6"W x 7/8"H
Cut Hole $\varnothing 2"$

RECESSED

2" MINI ROUND LED RECESSED

23283-015



LAMPING

- 1 x 3W Integrated LED TRIAC Dimming. For 0-10V and alternate dimming options consult Eurofase
- **Beam angle:** 40°
- **Kelvin:** 3000K
- **Lumen per head:** 164lm
- **CRI:** 85+

ELECTRICAL

- Class 2 dimmable constant current driver (included)
- Thermally protected
- **Input voltage:** 120V
- For 277V and 347V input options consult Eurofase

HOUSING

- 18 gauge powder coated steel housing
- New construction plate, sold separately (refer to housing options)*

DIMENSIONS

- **Cut hole:** $\phi 1 \frac{3}{4}$ "
- **Fixture:** $\phi 2$ " x 4"H

CUSTOMIZATION

- For customization, please consult Eurofase



IC AIR TIGHT RATED

SPECIFICATIONS

LED

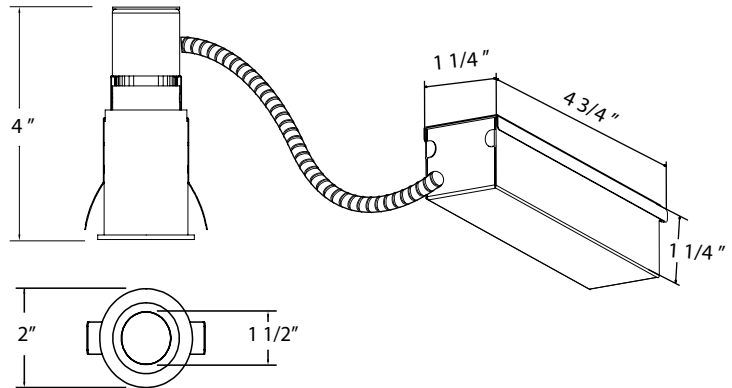
WATTS	LUMENS	KELVIN	DIMMABLE	CRI	IC AIR TIGHT RATED	TILT
3W	164lm	3000K	TRIAC	85+	YES	40°

FINISHES



-015 White/Chrome

PRODUCT DIMENSIONS



$\phi 1 \frac{3}{4}$ "

*HOUSING OPTIONS (SOLD SEPARATELY):



NO IC BOX REQUIRED

32006-018 NEW CONSTRUCTION PLATE



Dimension 6" L x 6" W x 1 1/4" H
Cut Hole $\phi 1 \frac{3}{4}$ "

2" MINI SQUARE LED RECESSED

23284-012



LAMPING

- 1 x 3W Integrated LED TRIAC Dimming. For 0-10V and alternate dimming options consult Eurofase
- **Beam angle:** 40°
- **Kelvin:** 3000K
- **Lumen per head:** 164lm
- **CRI:** 85+

ELECTRICAL

- Class 2 dimmable constant current driver (included)
- Thermally protected
- **Input voltage:** 120V
For 277V and 347V input options consult Eurofase

HOUSING

- 18 gauge powder coated steel housing
- New construction plate, sold separately (refer to housing options)*

DIMENSIONS

- **Cut hole:** 1 3/4"L x 1 3/4"W
- **Fixture:** 2"L x 2"W x 4"H

CUSTOMIZATION

- For customization, please consult Eurofase



SPECIFICATIONS

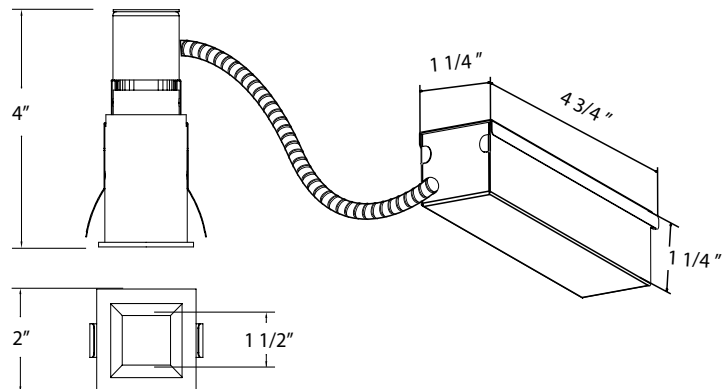
LED	WATTS	LUMENS	KELVIN	DIMMABLE	CRI	IC AIRTIGHT RATED	TILT
	3W	164lm	3000K	TRIAC	85+	YES	40°

FINISHES



-012 White/Chrome

PRODUCT DIMENSIONS



IC AIR TIGHT RATED



1 3/4"L x 1 3/4"W

***HOUSING OPTIONS (SOLD SEPARATELY):**



NO IC BOX REQUIRED

32009-019 NEW CONSTRUCTION PLATE



Dimension 6"L x 6"W x 1 1/4"H
Cut Hole 1 3/4"L x 1 3/4"W

RECESSED

2 1/2" ROUND BAFFLE LED RECESSED

34890



LAMPING

- 1 x 8W Integrated LED TRIAC Dimming. For 0-10V and alternate dimming options consult Eurofase
- **Beam angle:** 40°
- **Kelvin:** 3000K / 4000K
- **Lumen per head:** 600lm
- **CRI:** 90+

ELECTRICAL

- Class 2 dimmable constant current driver (included)
- Thermally protected
- **Input voltage:** 120V
For 277V and 347V input options consult Eurofase

HOUSING

- Cast aluminum structure
- New construction plate, sold separately (refer to housing options)*

DIMENSIONS

- **Cut hole:** $\varnothing 2 \frac{3}{4}$ "
- **Fixture:** $\varnothing 3 \frac{1}{8}$ " x 2 $\frac{3}{4}$ "H

CUSTOMIZATION

- For customization, please consult Eurofase

ORDERING GUIDE

MODEL	KELVIN	FINISH
34890	-30 3000K	-01 Black
	-40 4000K	

EXAMPLE: 34890-30-01



QUICK CONNECT



IC AIR TIGHT RATED



ENERGY STAR



DAMP LOCATION

SPECIFICATIONS

LED

WATTS	LUMENS	KELVIN	DIMMABLE	CRI	BEAM ANGLE
8W	600lm	3000K / 4000K	TRIAC	90+	40°

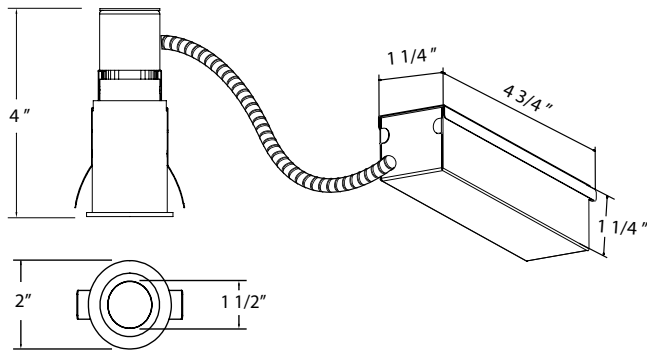


FINISH



-01 Black

PRODUCT DIMENSIONS



$\varnothing 1 \frac{3}{4}$ "

***HOUSING OPTIONS (SOLD SEPARATELY):**

35460-015 NEW CONSTRUCTION PLATE



NO IC BOX REQUIRED



Dimension 9"L x 6"W x 7/8"H
Cut Hole $\varnothing 2 \frac{3}{4}$ "

2 1/2" SQUARE BAFFLE LED RECESSED

34891



LAMPING

- 1 x 8W Integrated LED TRIAC Dimming. For 0-10V and alternate dimming options consult Eurofase
- **Beam angle:** 40°
- **Kelvin:** 4000K
- **Lumen per head:** 600lm
- **CRI:** 90+

ELECTRICAL

- Class 2 dimmable constant current driver (included)
- Thermally protected
- **Input voltage:** 120V
- For 277V and 347V input options consult Eurofase

HOUSING

- Cast aluminum structure
- New construction plate, sold separately (refer to housing options)*

DIMENSIONS

- **Cut hole:** $\varnothing 2 \frac{3}{4}$ "
- **Fixture:** 3 1/8"L x 3 1/8"W x 2 3/4"H

CUSTOMIZATION

- For customization, please consult Eurofase

ORDERING GUIDE

MODEL	KELVIN	FINISH
34891	-40 4000K	-01 Black -02 White

EXAMPLE: 34891-40-01



SPECIFICATIONS

LED	WATTS	LUMENS	KELVIN	DIMMABLE	CRI	IC AIRTIGHT RATED	TILT
	3W	164lm	4000K	TRIAC	85+	YES	40°



Driver Box included

FINISHES

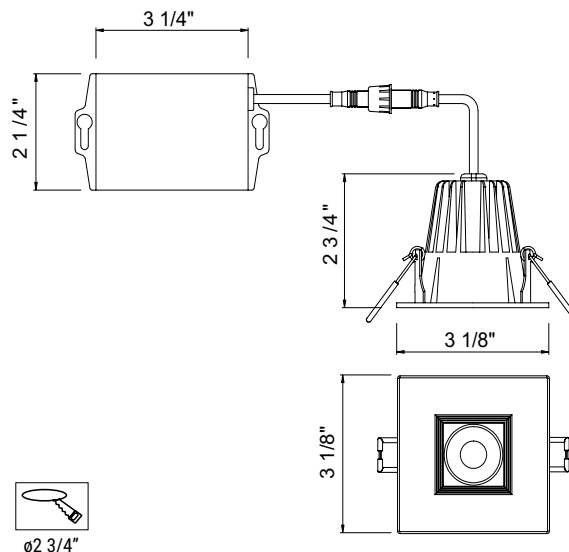


-01 Black



-02 White

PRODUCT DIMENSIONS



***HOUSING OPTIONS (SOLD SEPARATELY):**



NO IC BOX REQUIRED

35460-015 NEW CONSTRUCTION PLATE



Dimension 9"L x 6"W x 7/8"H
Cut Hole $\varnothing 2 \frac{3}{4}$ "

RECESSED

2 1/2" ROUND GIMBAL LED RECESSED

34895



LAMPING

- 1 x 8W Integrated LED TRIAC Dimming. For 0-10V and alternate dimming options consult Eurofase
- **Beam angle:** 40°
- **Kelvin:** 3000K / 4000K
- **Lumen per head:** 600lm
- **CRI:** 80+

ELECTRICAL

- Class 2 dimmable constant current driver (included)
- Driver box mates to fixture by 12" flexible BX cable
- Thermally protected
- **Input voltage:** 120V
For 277V and 347V input options consult Eurofase

HOUSING

- Cast aluminum structure
- New construction plate sold separately (refer to housing options)*

DIMENSIONS

- **Cut hole:** $\varnothing 2 \frac{3}{4}$ "
- **Fixture:** $\varnothing 3 \frac{3}{8}$ "L x 1 3/4"H

CUSTOMIZATION

- For customization, please consult Eurofase

ORDERING GUIDE

MODEL	KELVIN	FINISH
34895	-40 4000K	-01 Black -02 White
34895	-30 3000K	-01 Black

EXAMPLE: 34895-40-01



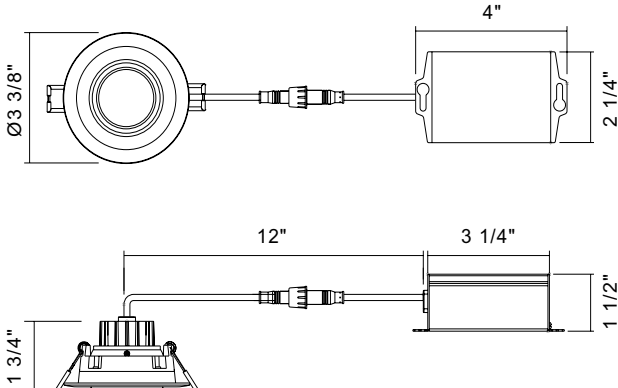
QUICK CONNECT



IC AIRTIGHT RATED



$\varnothing 2 \frac{3}{4}$ "



PRODUCT DIMENSIONS



FINISH



-01 Black



-02 White

***HOUSING OPTIONS (SOLD SEPARATELY):**



NO IC BOX REQUIRED

35460-015 NEW CONSTRUCTION PLATE



Dimension 9"L x 6"W x 7/8"H
Cut Hole $\varnothing 2 \frac{3}{4}$ "

2 1/2" SQUARE GIMBAL LED RECESSED

34892



LAMPING

- 1 x 8W Integrated LED TRIAC Dimming. For 0-10V and alternate dimming options consult Eurofase
- **Beam angle:** 40°
- **Kelvin:** 3000K / 4000K
- **Lumen per head:** 600lm
- **CRI:** 90+

ELECTRICAL

- Class 2 dimmable constant current driver (included)
- Thermally protected
- **Input voltage:** 120V
- For 277V and 347V input options consult Eurofase

HOUSING

- Cast aluminum structure
- New construction plate sold separately (refer to housing options)*

DIMENSIONS

- **Cut hole:** $\varnothing 2 \frac{3}{4}$ "
- **Fixture:** 3 3/8"L x 3 3/8"W x 1 3/4"H

CUSTOMIZATION

- For customization, please consult Eurofase

ORDERING GUIDE

MODEL	KELVIN	FINISH
34892	-40 4000K	-01 Black -02 White
34892	-30 3000K	-02 White

EXAMPLE: 34892-40-01



QUICK CONNECT



IC AIRTIGHT RATED



$\varnothing 2 \frac{3}{4}$ "

SPECIFICATIONS

LED

WATTS	LUMENS	KELVIN	DIMMABLE	CRI	BEAM ANGLE
8W	600lm	3000K / 4000K	TRIAC	90+	40°



FINISH

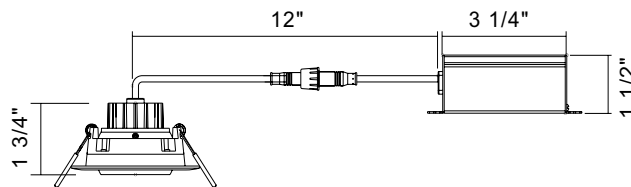
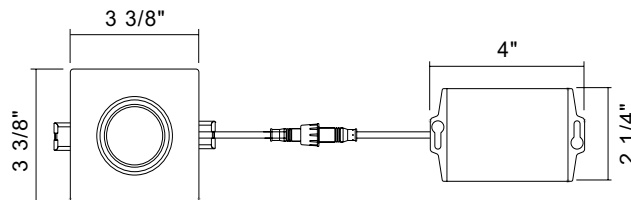


-01 Black



-02 White

PRODUCT DIMENSIONS



***HOUSING OPTIONS (SOLD SEPARATELY):**



NO IC BOX REQUIRED

35460-015 NEW CONSTRUCTION PLATE



Dimension 9"L x 6"W x 7/8"H
Cut Hole $\varnothing 2 \frac{3}{4}$ "

RECESSED

3" ROUND SHOWER LED RECESSED

30351-011



LAMPING

- 1 x 15W Integrated LED TRIAC Dimming. For 0-10V and alternate dimming options consult Eurofase
- **Beam angle:** 70°
- **Kelvin:** 3000K
- **Lumen per head:** 1290lm
- **CRI:** 80+
- **IP:** 44

SPECIFICATIONS

LED	WATTS	LUMENS	KELVIN	DIMMABLE	CRI	BEAM ANGLE
	15W	1290lm	3000K	TRIAC	80+	70°

ELECTRICAL

- Class 2 dimmable constant current driver (included)
- Driver box mates to fixture by 12" flexible BX cable
- Thermally protected
- **Input voltage:** 120V
For 277V and 347V input options consult Eurofase



Driver Box included

FINISHES



-011 White/Frost

HOUSING

- Cast aluminum structure
- New construction plate, insulated ceiling box sold separately (refer to housing options)*

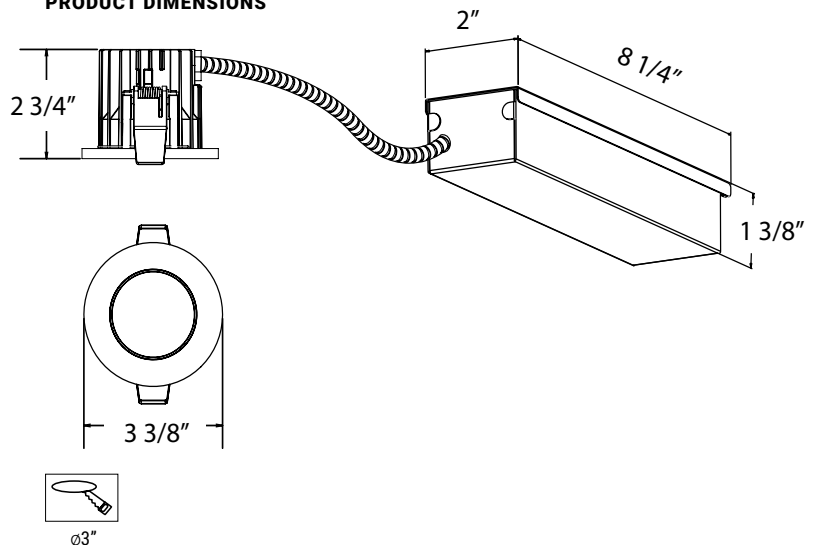
DIMENSIONS

- **Cut hole:** $\varnothing 3"$
- **Fixture:** $\varnothing 3 \frac{3}{8}"$ L x $2 \frac{3}{4}"$ H

CUSTOMIZATION

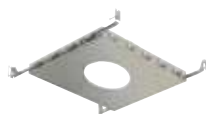
- For customization, please consult Eurofase

PRODUCT DIMENSIONS



***HOUSING OPTIONS (SOLD SEPARATELY):**

32506-010 NEW CONSTRUCTION PLATE



Dimension 9 1/2"L x 9 1/4"W x 1 3/8"H
Cut Hole $\varnothing 3"$

32507-015 INSULATED CEILING BOX



Dimension 11"L x 8 7/8"W x 9 1/2"H
Cut Hole $\varnothing 3"$

3" SQUARE SHOWER LED RECESSED

31903-011



LAMPING

- 1 x 15W Integrated LED TRIAC Dimming. For 0-10V and alternate dimming options consult Eurofase
- **Beam angle:** 70°
- **Kelvin:** 3000K
- **Lumen per head:** 1290lm
- **CRI:** 80+
- **IP:** 44

ELECTRICAL

- Class 2 dimmable constant current driver (included)
- Driver box mates to fixture by 12" flexible BX cable
- Thermally protected
- **Input voltage:** 120V
For 277V and 347V input options consult Eurofase

HOUSING

- Cast aluminum structure
- New construction plate, insulated ceiling box sold separately (refer to housing options)*

DIMENSIONS

- **Cut hole:** 3"L x 3"W
- **Fixture:** 3 3/8"L x 3 3/8"W x 2 3/4"H

CUSTOMIZATION

- For customization, please consult Eurofase



SPECIFICATIONS

LED	WATTS	LUMENS	KELVIN	DIMMABLE	CRI	BEAM ANGLE
	15W	1290lm	3000K	TRIAC	80+	70°



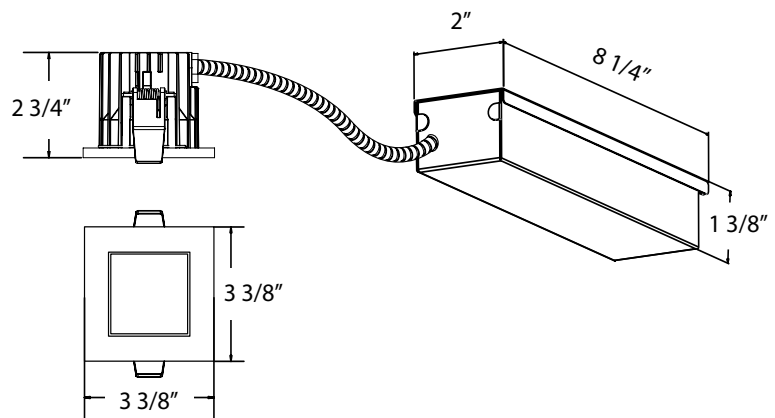
Driver Box included

FINISHES



-011 White/Frost

PRODUCT DIMENSIONS



*HOUSING OPTIONS (SOLD SEPARATELY):

32508-012 NEW CONSTRUCTION PLATE



Dimension 11"L x 8 7/8"W x 1 3/8"H
Cut Hole 3"L x 3"W"

32509-017 INSULATED CEILING BOX



Dimension 11"L x 8 7/8"W x 9 1/2"H
Cut Hole 3"L x 3"W"

RECESSED

3 1/2" ROUND GIMBAL LED RECESSED

34897



LAMPING

- 1 x 12W Integrated LED TRIAC Dimming. For 0-10V and alternate dimming options consult Eurofase
- **Beam angle:** 40°
- **Kelvin:** 3000K / 4000K
- **Lumen per head:** 800lm
- **CRI:** 90+

ELECTRICAL

- Class 2 dimmable constant current driver (included)
- Thermally protected
- **Input voltage:** 120V
- For 277V and 347V input options consult Eurofase

HOUSING

- Cast aluminum structure
- New construction plate, sold separately (refer to housing options)*

DIMENSIONS

- **Cut hole:** $\varnothing 3 \frac{3}{4}$ "
- **Fixture:** $\varnothing 4 \frac{3}{8}$ " x 3 1/4"H

CUSTOMIZATION

- For customization, please consult Eurofase

ORDERING GUIDE

MODEL	KELVIN	FINISH
34897	-30 3000K	-01 Black
	-40 4000K	-02 White

EXAMPLE: 34897-30-01



QUICK CONNECT



IC AIR TIGHT RATED



ENERGY STAR



DAMP LOCATION

SPECIFICATIONS

LED	WATTS	LUMENS	KELVIN	DIMMABLE	CRI	BEAM ANGLE
	12W	800lm	3000K / 4000K	TRIAC	90+	40°



FINISHES

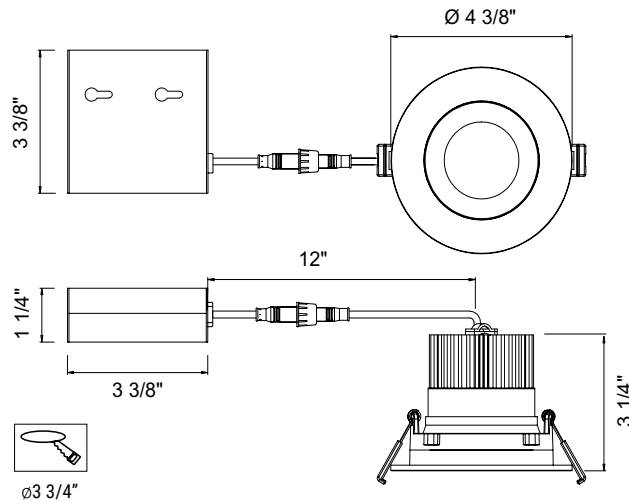


-01 Black



-02 White

PRODUCT DIMENSIONS



***HOUSING OPTIONS (SOLD SEPARATELY):**



NO IC BOX REQUIRED

35461-012 NEW CONSTRUCTION PLATE



Dimension 9"L x 6"W x 7/8"H
Cut Hole $\varnothing 3 \frac{3}{4}$ "

3 1/2" SQUARE LED RECESSED

34898



LAMPING

- 1 x 12W Integrated LED TRIAC Dimming. For 0-10V and alternate dimming options consult Eurofase
- **Beam angle:** 40°
- **Kelvin:** 3000K / 4000K
- **Lumen per head:** 800lm
- **CRI:** 90+

ELECTRICAL

- Class 2 dimmable constant current driver (included)
- Thermally protected
- **Input voltage:** 120V
- For 277V and 347V input options consult Eurofase

HOUSING

- Cast aluminum structure
- New construction plate, sold separately (refer to housing options)*

DIMENSIONS

- **Cut hole:** $\varnothing 3 \frac{3}{4}$ "
- **Fixture:** 4 1/2"L x 4 1/2"W x 3"H

CUSTOMIZATION

- For customization, please consult Eurofase

ORDERING GUIDE

MODEL	KELVIN	FINISH
34898	-30 3000K	-01 Black
	-40 4000K	-02 White

EXAMPLE: 34898-30-01



QUICK CONNECT



IC AIR TIGHT RATED



$\varnothing 3 \frac{3}{4}$ "

SPECIFICATIONS

LED

WATTS	LUMENS	KELVIN	DIMMABLE	CRI	BEAM ANGLE
12W	800lm	3000K / 4000K	TRIAC	90+	40°



Driver Box included

FINISHES

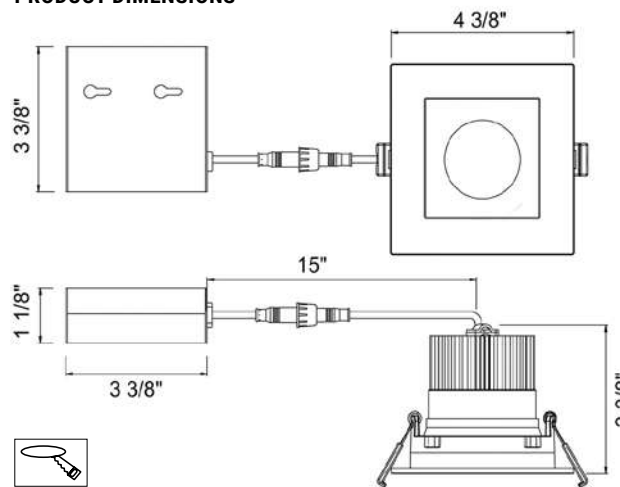


-01 Black



-02 White

PRODUCT DIMENSIONS



***HOUSING OPTIONS (SOLD SEPARATELY):**



NO IC BOX REQUIRED

35461-012 NEW CONSTRUCTION PLATE



Dimension 9"L x 6"W x 7/8"H
Cut Hole $\varnothing 3 \frac{3}{4}$ "

RECESSED

3 1/2" BAFFLE LED RECESSED

31216



LAMPING

- 1 x 10W Integrated LED TRIAC Dimming. For 0-10V and alternate dimming options consult Eurofase
- **Beam angle:** 40°
- **Kelvin:** 3000K
- **Lumen per head:** 950lm
- **CRI:** 80+
- **IC Airtight Rated:** Yes

ELECTRICAL

- Class 2 dimmable constant current driver (included)
- Driver box mates to fixture by 12" flexible low voltage cable
- Thermally protected
- **Input voltage:** 120V
For 277V and 347V input options consult Eurofase

HOUSING

- 18 gauge powder coated steel housing
- Remodel housing complete with adjustable mounting clips suitable for 1/2" and 5/8" drywall
- New construction plate sold separately (refer to housing options)*

DIMENSIONS

- **Cut hole:** $\varnothing 3 \frac{5}{8}$ "
- **Fixture:** $\varnothing 4 \frac{7}{16}$ " x 4 1/2"H

CUSTOMIZATION

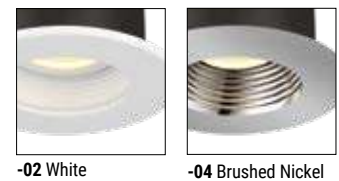
- For customization, please consult Eurofase

SPECIFICATIONS

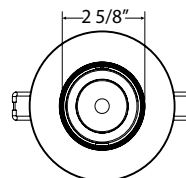
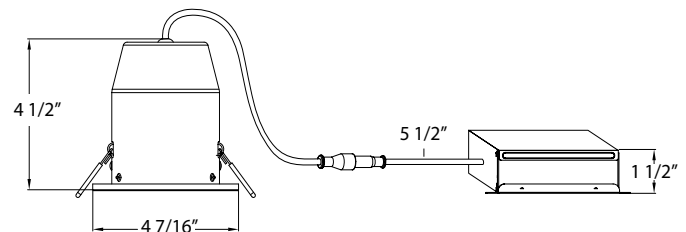
LED	WATTS	LUMENS	KELVIN	DIMMABLE	CRI	IC AIR TIGHT RATED	TILT
	10W	950lm	3000K	TRIAC	80+	YES	40°



FINISHES



PRODUCT DIMENSIONS



***HOUSING OPTIONS (SOLD SEPARATELY):**



NO IC BOX REQUIRED

33520-018 NEW CONSTRUCTION PLATE



Dimension 11 5/8"L x 7 1/8"W x 1 3/8"H
Cut Hole $\varnothing 3 \frac{5}{8}$ "

3 1/2" GIMBAL LED RECESSED

31224



LAMPING

- 1 x 10W Integrated LED TRIAC Dimming. For 0-10V and alternate dimming options consult Eurofase
- **Beam angle:** 40°
- **Kelvin:** 3000K
- **Lumen per head:** 950lm
- **CRI:** 80+
- **IC Airtight Rated:** Yes

ELECTRICAL

- Class 2 dimmable constant current driver (included)
- Driver box mates to fixture by 12" flexible low voltage cable
- Thermally protected
- **Input voltage:** 120V
For 277V and 347V input options consult Eurofase

HOUSING

- 18 gauge powder coated steel housing
- Remodel housing complete with adjustable mounting clips suitable for 1/2" and 5/8" drywall
- New construction plate sold separately (refer to housing options)*

GIMBAL

- Adjustable direction suit different application requirement
- **Tilt:** 30°

DIMENSIONS

- **Cut hole:** ϕ 3 5/8"
- **Fixture:** ϕ 2 7/16" x 4 1/2"H

CUSTOMIZATION

- For customization, please consult Eurofase

SPECIFICATIONS

LED

WATTS	LUMENS	KELVIN	DIMMABLE	CRI	IC AIRTIGHT RATED	BEAM ANGLE	TILT
10W	950lm	3000K	TRIAC	80+	YES	40°	30°



FINISHES

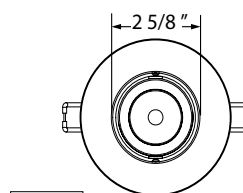
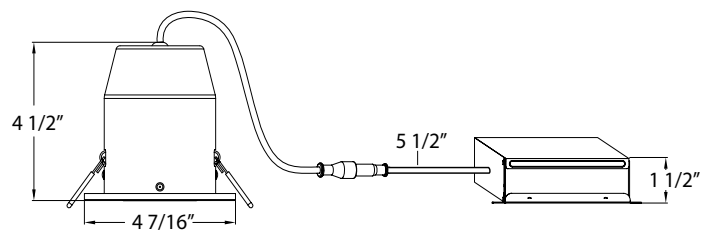


-02 White



-04 Brushed Nickel

PRODUCT DIMENSIONS



QUICK CONNECT



IC AIRTIGHT RATED



ENERGY STAR

***HOUSING OPTIONS (SOLD SEPARATELY):**



NO IC BOX REQUIRED

33520-018 NEW CONSTRUCTION PLATE



Dimension 11 5/8" L x 7 1/8" W x 1 3/8" H
Cut Hole ϕ 3 5/8"

RECESSED

3 1/2" SHOWER LED RECESSED

31667



LAMPING

- 1 x 10W Integrated LED TRIAC Dimming. For 0-10V and alternate dimming options consult Eurofase
- **Beam angle:** 120°
- **Kelvin:** 3000K
- **Lumen per head:** 950lm
- **CRI:** 80+
- **IC Airtight Rated:** Yes

ELECTRICAL

- Class 2 dimmable constant current driver (included)
- Driver box mates to fixture by 1/2" flexible low voltage cable
- Thermally protected
- **Input voltage:** 120V
For 277V and 347V input options consult Eurofase

HOUSING

- 18 gauge powder coated steel housing
- Remodel housing complete with adjustable mounting clips suitable for 1/2" and 5/8" drywall
- New construction plate sold separately (refer to housing options)*

DIMENSIONS

- **Cut hole:** $\varnothing 3 \frac{5}{8}$ "
- **Fixture:** $\varnothing 4 \frac{1}{2}$ " x $4 \frac{1}{2}$ "H

CUSTOMIZATION

- For customization, please consult Eurofase

SPECIFICATION

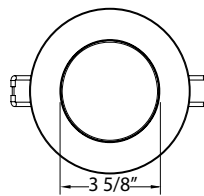
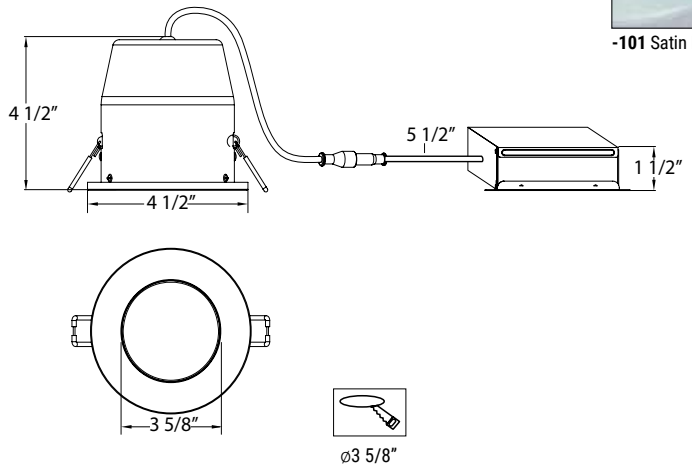
LED	WATTS	LUMENS	KELVIN	DIMMABLE	CRI	IC AIRTIGHT RATED	BEAM ANGLE
	10W	950lm	3000K	TRIAC	80+	YES	120°



FINISHES:



PRODUCT DIMENSION



***HOUSING OPTIONS (SOLD SEPARATELY):**



NO IC BOX REQUIRED

33520-018 NEW CONSTRUCTION PLATE



Dimension 11 5/8" L x 7 1/8" W x 1 3/8" H
Cut Hole $\varnothing 3 \frac{5}{8}$ "

3 1/2" SHOWER DOME LED RECESSED

31228-57



LAMPING

- 1 x 10W Integrated LED TRIAC Dimming. For 0-10V and alternate dimming options consult Eurofase
- **Beam angle:** 180°
- **Kelvin:** 3000K
- **Lumen per head:** 950lm
- **CRI:** 80+
- **IC Airtight Rated:** Yes

ELECTRICAL

- Class 2 dimmable constant current driver (included)
- Driver box mates to fixture by 12" flexible low voltage cable
- Thermally protected
- **Input voltage:** 120V
- For 277V and 347V input options consult Eurofase

HOUSING

- 18 gauge powder coated steel housing
- Remodel housing complete with adjustable mounting clips suitable for 1/2" and 5/8" drywall
- New construction plate sold separately (refer to housing options)*

DIMENSIONS

- **Cut hole:** $\varnothing 3 \frac{5}{8}$ "
- **Fixture:** $\varnothing 4 \frac{1}{2}$ " x $5 \frac{3}{4}$ "H

CUSTOMIZATION

- For customization, please consult Eurofase

SPECIFICATION

LED	WATTS	LUMENS	KELVIN	DIMMABLE	CRI	IC AIRTIGHT RATED	BEAM ANGLE
	10W	950lm	3000K	TRIAC	80+	YES	180°

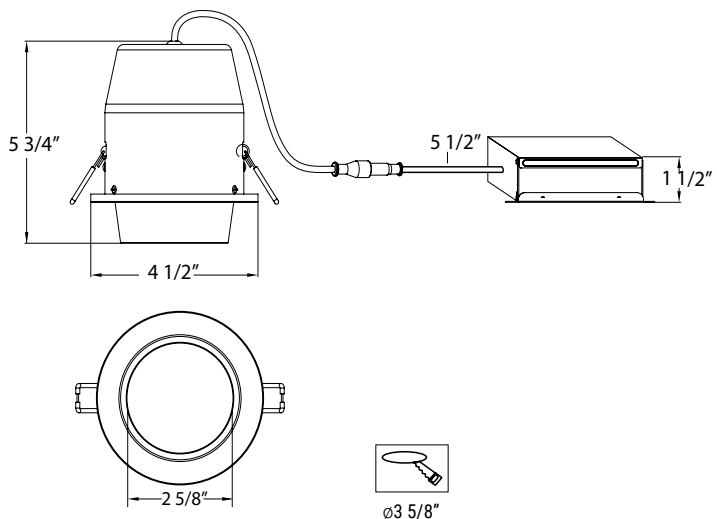


FINISHES



-57 White/Frost

PRODUCT DIMENSION



QUICK CONNECT



IC AIRTIGHT RATED



$\varnothing 3 \frac{5}{8}$ "

*HOUSING OPTIONS (SOLD SEPARATELY):



NO IC BOX REQUIRED

33520-018 NEW CONSTRUCTION PLATE

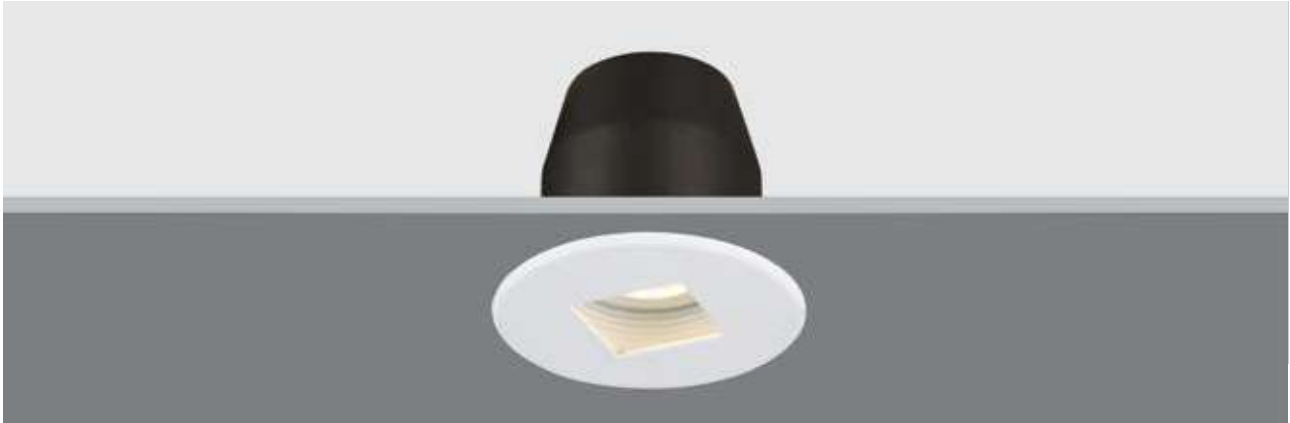


Dimension 11 5/8" L x 7 1/8" W x 1 3/8" H
Cut Hole $\varnothing 3 \frac{5}{8}$ "

RECESSED

3 1/2" ROUND REGRESS LED RECESSED

31220-02



LAMPING

- 1 x 10W Integrated LED TRIAC Dimming. For 0-10V and alternate dimming options consult Eurofase
- **Beam angle:** 40°
- **Kelvin:** 3000K
- **Lumen per head:** 950lm
- **CRI:** 80+
- **IC Airtight Rated:** Yes

ELECTRICAL

- Class 2 dimmable constant current driver (included)
- Driver box mates to fixture by 12" flexible low voltage cable
- Thermally protected
- **Input voltage:** 120V
For 277V and 347V input options consult Eurofase

HOUSING

- 18 gauge powder coated steel housing
- Remodel housing complete with adjustable mounting clips suitable for 1/2" and 5/8" drywall
- New construction plate sold separately (refer to housing options)*

DIMENSIONS

- **Cut hole:** $\varnothing 3 \frac{5}{8}$ "
- **Fixture:** $\varnothing 4 \frac{1}{2}$ " x 4 1/2"H

CUSTOMIZATION

- For customization, please consult Eurofase

SPECIFICATIONS

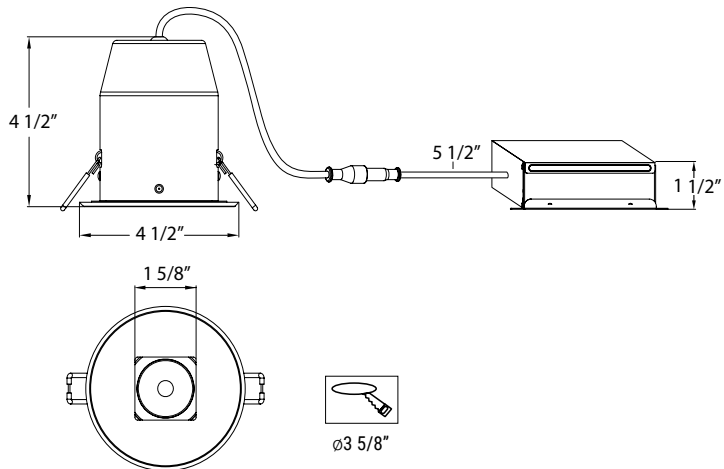
LED	WATTS	LUMENS	KELVIN	DIMMABLE	CRI	IC AIRTIGHT RATED	BEAM ANGLE
	10W	950lm	3000K	TRIAC	80+	YES	40°



FINISHES:



PRODUCT DIMENSIONS



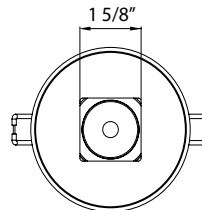
QUICK CONNECT



IC AIR TIGHT RATED



ENERGY STAR



***HOUSING OPTIONS (SOLD SEPARATELY):**



NO IC BOX REQUIRED

33520-018 NEW CONSTRUCTION PLATE



Dimension 11 5/8"L x 7 1/8"W x 1 3/8"H
Cut Hole $\varnothing 3 \frac{5}{8}$ "

3 1/2" SQUARE BAFFLE LED RECESSED

31218-02



LAMPING

- 1 x 10W Integrated LED TRIAC Dimming. For 0-10V and alternate dimming options consult Eurofase
- **Beam angle:** 40°
- **Kelvin:** 3000K
- **Lumen per head:** 950lm
- **CRI:** 80+
- **IC Airtight Rated:** Yes

ELECTRICAL

- Class 2 dimmable constant current driver (included)
- Driver box mates to fixture by 1/2" flexible low voltage cable
- Thermally protected
- **Input voltage:** 120V
- For 277V and 347V input options consult Eurofase

HOUSING

- 18 gauge powder coated steel housing
- Remodel housing complete with adjustable mounting clips suitable for 1/2" and 5/8" drywall
- New construction plate sold separately (refer to housing options)*

DIMENSIONS

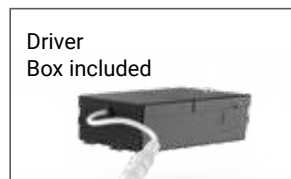
- **Cut hole:** $\varnothing 3 \frac{5}{8}$ "
- **Fixture:** 4 1/4"L x 4 1/4"W x 4 1/2"H

CUSTOMIZATION

- For customization, please consult Eurofase

SPECIFICATIONS

LED	WATTS	LUMENS	KELVIN	DIMMABLE	CRI	IC AIRTIGHT RATED	BEAM ANGLE
	10W	950lm	3000K	TRIAC	80+	YES	40°

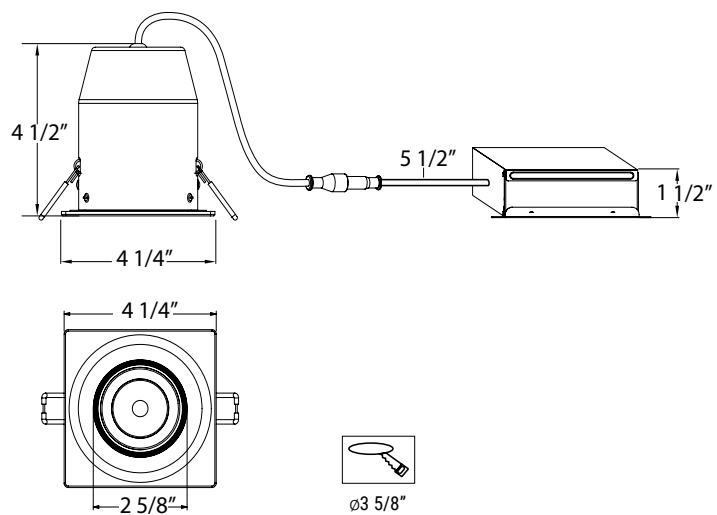


FINISHES:



-02 White

PRODUCT DIMENSIONS



QUICK CONNECT



IC AIR TIGHT RATED



ENERGY STAR



$\varnothing 3 \frac{5}{8}$ "

*HOUSING OPTIONS (SOLD SEPARATELY):



NO IC BOX REQUIRED

33520-018 NEW CONSTRUCTION PLATE

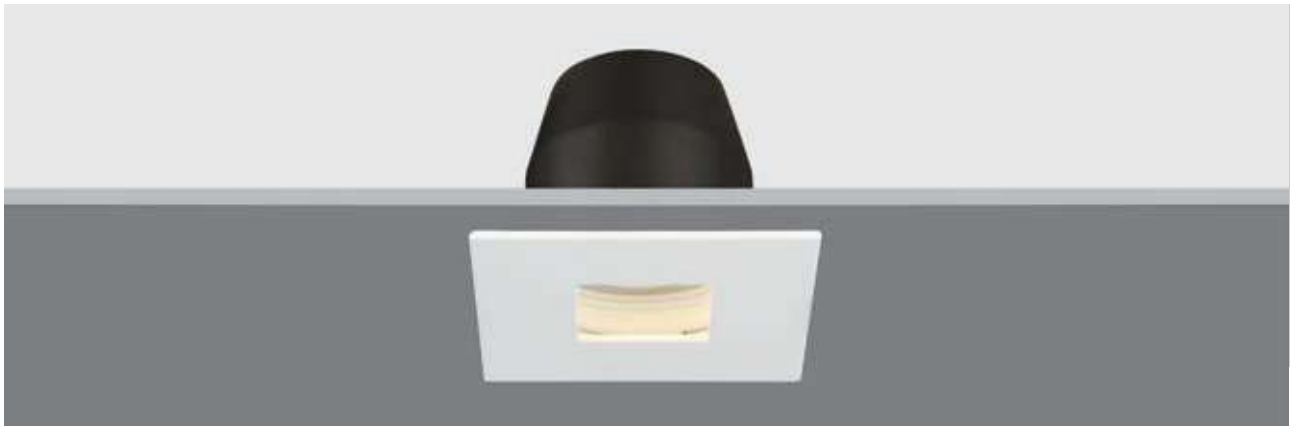


Dimension 11 5/8"L x 7 1/8"W x 1 3/8"H
Cut Hole $\varnothing 3 \frac{5}{8}$ "

RECESSED

3 1/2" SQUARE REGRESS LED RECESSED

31222-02



LAMPING

- 1 x 10W Integrated LED TRIAC Dimming. For 0-10V and alternate dimming options consult Eurofase
- **Beam angle:** 30°
- **Kelvin:** 3000K
- **Lumen per head:** 950lm
- **CRI:** 80+
- **IC Airtight Rated:** Yes

ELECTRICAL

- Class 2 dimmable constant current driver (included)
- Driver box mates to fixture by 12" flexible BX cable
- Thermally protected
- **Input voltage:** 120V
For 277V and 347V input options consult Eurofase

HOUSING

- 18 gauge powder coated steel housing
- Remodel housing complete with adjustable mounting clips suitable for 1/2" and 5/8" drywall
- New construction plate sold separately (refer to housing options)*

DIMENSIONS

- **Cut hole:** $\varnothing 3 \frac{5}{8}$ "
- **Fixture:** 4 1/4"L x 4 1/4"W x 4 1/2"H

CUSTOMIZATION

- For customization, please consult Eurofase

SPECIFICATIONS

LED	WATTS	LUMENS	KELVIN	DIMMABLE	CRI	IC AIRTIGHT RATED	BEAM ANGLE
	10W	950lm	3000K	TRIAC	80+	YES	30°

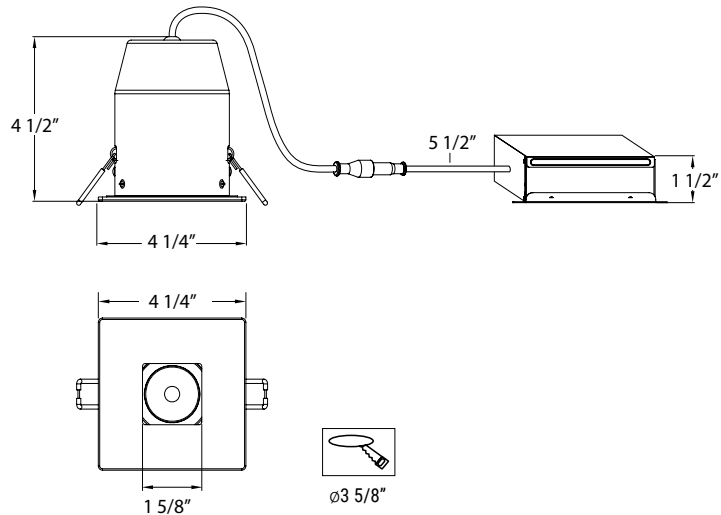


FINISHES



-02 White

PRODUCT DIMENSIONS



QUICK CONNECT



IC AIRTIGHT RATED



ENERGY STAR

***HOUSING OPTIONS (SOLD SEPARATELY):**



NO IC BOX REQUIRED

33520-018 NEW CONSTRUCTION PLATE



Dimension 11 5/8"L x 7 1/8"W x 1 3/8"H
Cut Hole $\varnothing 3 \frac{5}{8}$ "

3 1/2" SPECULAR LED RECESSED

31681-49



LAMPING

- 1 x 10W Integrated LED TRIAC Dimming. For 0-10V and alternate dimming options consult Eurofase
- **Beam angle:** 40°
- **Kelvin:** 3000K
- **Lumen per head:** 950lm
- **CRI:** 80+
- **IC Airtight Rated:** Yes

ELECTRICAL

- Class 2 dimmable constant current driver (included)
- Driver box mates to fixture by 1/2" flexible low voltage cable
- Thermally protected
- **Input voltage:** 120V
For 277V and 347V input options consult Eurofase

HOUSING

- 18 gauge powder coated steel housing
- Remodel housing complete with adjustable mounting clips suitable for 1/2" and 5/8" drywall
- New construction plate sold separately (refer to housing options)*

DIMENSIONS

- **Cut hole:** $\varnothing 3 \frac{5}{8}$ "
- **Fixture:** $\varnothing 4 \frac{1}{2}$ " x $4 \frac{1}{2}$ "H

CUSTOMIZATION

- For customization, please consult Eurofase

SPECIFICATIONS

LED	WATTS	LUMENS	KELVIN	DIMMABLE	CRI	IC AIRTIGHT RATED	BEAM ANGLE
	10W	950lm	3000K	TRIAC	80+	YES	40°

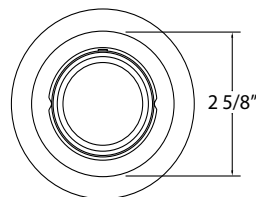
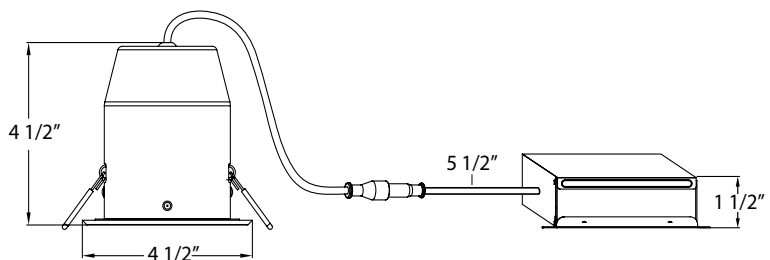


FINISHES



-49 White/Chrome

PRODUCT DIMENSIONS



QUICK CONNECT



IC AIR TIGHT RATED



ENERGY STAR



$\varnothing 3 \frac{5}{8}$ "

*HOUSING OPTIONS (SOLD SEPARATELY):



NO IC BOX REQUIRED

33520-018 NEW CONSTRUCTION PLATE



Dimension 11 5/8" L x 7 1/8" W x 1 3/8" H
Cut Hole $\varnothing 3 \frac{5}{8}$ "

RECESSED

4" ROUND GIMBAL LED RECESSED

37145-019



LAMPING

- 1 x 11W Integrated LED TRIAC Dimming. For 0-10V and alternate dimming options consult Eurofase
- **Beam angle:** 40°
- **Kelvin:** 3000K
- **Lumen per head:** 920lm
- **CRI:** 90+

ELECTRICAL

- Class 2 dimmable constant current driver (included)
- Thermally protected
- **Input voltage:** 120V
For 277V and 347V input options consult Eurofase

HOUSING

- Cast aluminum structure
- Remodel housing complete with adjustable mounting clips suitable for 1/2" and 5/8" drywall
- New construction plate, insulated ceiling box sold separately (refer to housing options)*

DIMENSIONS

- **Cut hole:** $\phi 4 \frac{3}{8}$ "
- **Fixture:** $\phi 4 \frac{7}{8}$ " x 2 1/4"H

CUSTOMIZATION

- For customization, please consult Eurofase

SPECIFICATIONS

LED	WATTS	LUMENS	KELVIN	DIMMABLE	CRI	BEAM ANGLE
	11W	920lm	3000K	TRIAC	90+	30°



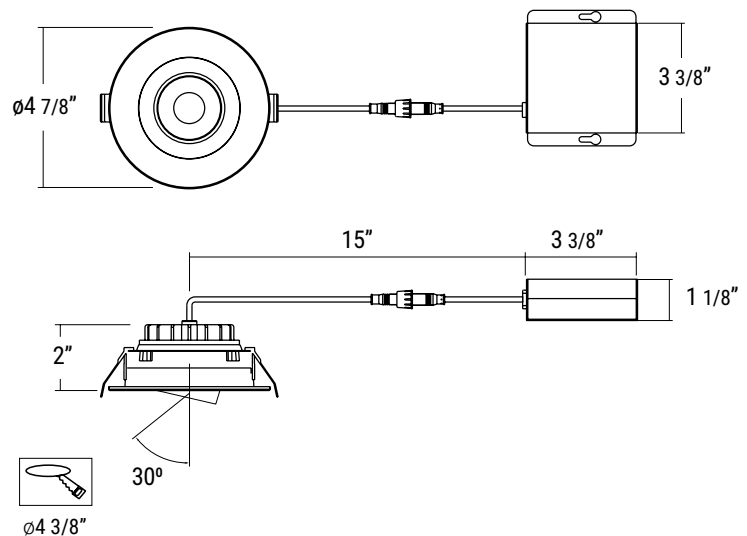
Driver Box included

FINISHES:



-019 White

PRODUCT DIMENSIONS



***HOUSING OPTIONS (SOLD SEPARATELY):**



NO IC BOX REQUIRED

32008-012 NEW CONSTRUCTION PLATE



Dimension 9 1/4"L x 9 1/4"W x 1 3/8"H
Cut Hole $\phi 4 \frac{1}{2}$ "

4" ROUND GIMBAL LED RECESSED

34896



LAMPING

- 1 x 11W Integrated LED TRIAC Dimming. For 0-10V and alternate dimming options consult Eurofase
- **Beam angle:** 40°
- **Kelvin:** 3000K /4000K
- **Lumen per head:** 950lm
- **CRI:** 90+

ELECTRICAL

- Class 2 dimmable constant current driver (included)
- Thermally protected
- **Input voltage:** 120V
For 277V and 347V input options consult Eurofase

HOUSING

- Cast aluminum structure
- Remodel housing complete with adjustable mounting clips suitable for 1/2" and 5/8" drywall
- New construction plate, insulated ceiling box sold separately (refer to housing options)*

DIMENSIONS

- **Cut hole:** ø4 1/8"
- **Fixture:** ø4 7/8" x 2 1/4"H

CUSTOMIZATION

- For customization, please consult Eurofase

ORDERING GUIDE

MODEL	KELVIN	FINISH
34896	-30 3000K	-02 White
34896	-40 4000K	-01 Black

EXAMPLE: 34896-30-02



QUICK CONNECT



IC AIRTIGHT RATED



ø4 1/8"

SPECIFICATIONS

LED	WATTS	LUMENS	KELVIN	DIMMABLE	CRI	BEAM ANGLE
	11W	950lm	3000K / 4000K	TRIAC	90+	40°



Driver Box included

FINISHES:

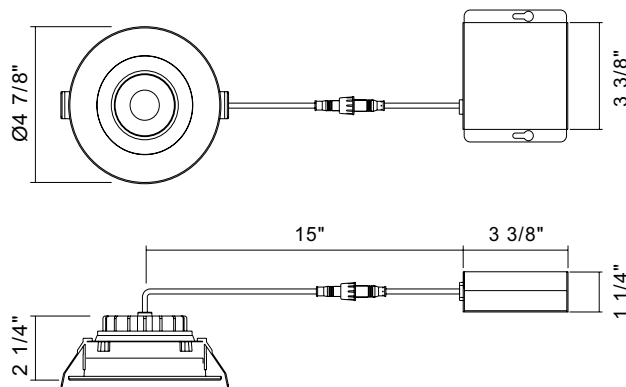


-01 Black



-02 White

PRODUCT DIMENSIONS



***HOUSING OPTIONS (SOLD SEPARATELY):**



NO IC BOX REQUIRED

35462-019 NEW CONSTRUCTION PLATE



Dimension 9"L x 6"W x 7/8"H
Cut Hole ø4 1/8"

RECESSED

4" ROUND SPECULAR LED RECESSED

21809-019



LAMPING

- 1 x 10W Integrated LED TRIAC Dimming. For 0-10V and alternate dimming options consult Eurofase
- **Beam angle:** 40°
- **Kelvin:** 3000K
- **Lumen per head:** 950lm
- **CRI:** 80+
- **IC Airtight Rated:** Yes

ELECTRICAL

- Class 2 dimmable constant current driver (included)
- Driver box mates to fixture by 1/2" flexible low voltage cable
- Thermally protected
- **Input voltage:** 120V
For 277V and 347V input options consult Eurofase

HOUSING

- 18 gauge powder coated steel housing
- Remodel housing complete with adjustable mounting clips suitable for 1/2" and 5/8" drywall
- New construction plate sold separately (refer to housing options)*

DIMENSIONS

- **Cut hole:** $\phi 3 \frac{5}{8}$ "
- **Fixture:** $\phi 4 \frac{1}{2}$ " x 4 1/2"H

CUSTOMIZATION

- For customization, please consult Eurofase

SPECIFICATIONS

LED	WATTS	LUMENS	KELVIN	DIMMABLE	CRI	BEAM ANGLE
	15W	1290lm	3000K	TRIAC	85+	40°



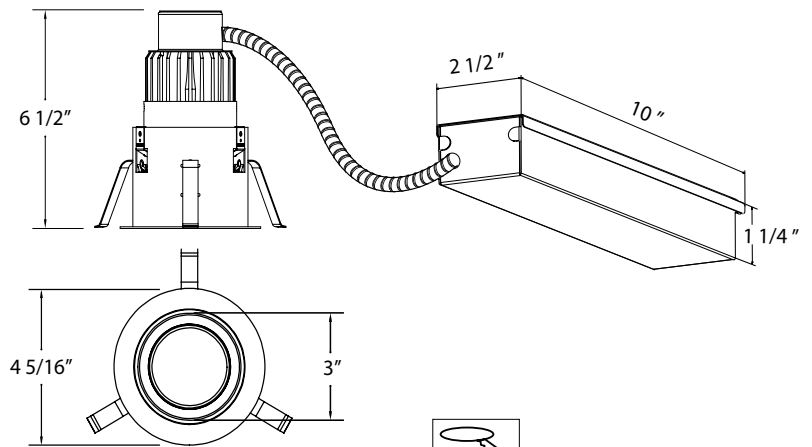
Driver Box included

FINISHES:



-019 White/Chrome

PRODUCT DIMENSIONS



QUICK CONNECT



IC AIR TIGHT RATED



ENERGY STAR



$\phi 3 \frac{3}{4}$ "

***HOUSING OPTIONS (SOLD SEPARATELY):**

32007-015 NEW CONSTRUCTION PLATE



Dimension 9 1/4"L x 9 1/4"W x 1 3/8"H
Cut Hole 3 3/4"L x 3 3/4"W"

31997-010 INSULATED CEILING BOX



Dimension 11"L x 9"W x 9 1/2"H
Cut Hole 3 3/4"L x 3 3/4"W"

4" SQUARE SPECULAR LED RECESSED

21968-013



LAMPING

- 1 x 15W Integrated LED TRIAC Dimming. For 0-10V and alternate dimming options consult Eurofase
- **Beam angle:** 40°
- **Kelvin:** 3000K
- **Lumen per head:** 1290lm
- **CRI:** 85+

ELECTRICAL

- Class 2 dimmable constant current driver (included)
- Driver box mates to fixture by 12" flexible BX cable
- Thermally protected
- **Input voltage:** 120V
For 277V and 347V input options consult Eurofase

HOUSING

- 18 gauge powder coated steel housing
- Remodel housing complete with adjustable mounting clips suitable for 1/2" and 5/8" drywall
- New construction plate, insulated ceiling box sold separately (refer to housing options)*

DIMENSIONS

- **Cut hole:** 3 7/8"L x 3 7/8"W
- **Fixture:** 4 5/16"L x 4 5/16"W x 6 1/2"H

CUSTOMIZATION

- For customization, please consult Eurofase

SPECIFICATIONS

LED	WATTS	LUMENS	KELVIN	DIMMABLE	CRI	BEAM ANGLE
	15W	1290lm	3000K	TRIAC	85+	40°

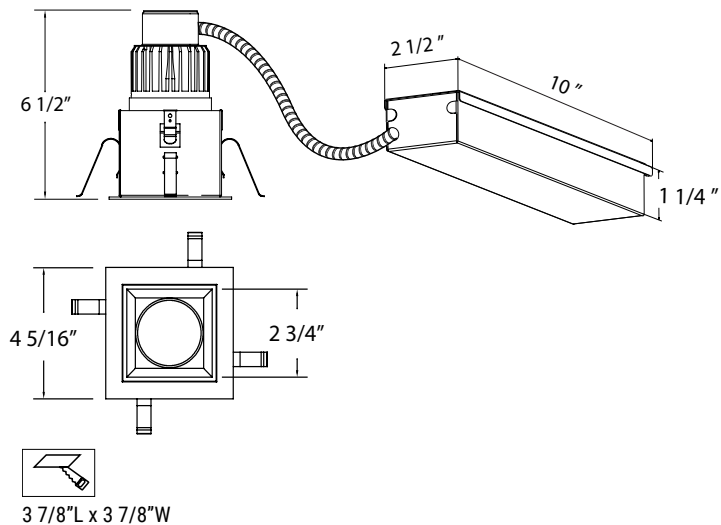


FINISHES



-013 White/Chrome

PRODUCT DIMENSIONS



***HOUSING OPTIONS (SOLD SEPARATELY):**

32010-015 NEW CONSTRUCTION PLATE



Dimension 9 1/4"L x 9 1/4"W x 1 3/8"H
Cut Hole 3 7/8"L x 3 7/8"W"

32000-016 INSULATED CEILING BOX



Dimension 11"L x 9"W x 9 1/2"H
Cut Hole 3 7/8"L x 3 7/8"W"

RECESSED

4" NON-IC REMODEL HOUSING LED

4RM



LAMPING

- Available in 16W 1200lm, 25W 2000lm or 38W 3000lm high efficiency LED
- **Beam angle:** 20°/40°
- **Color temperature:** 3000K/3500K/4000K
- **CRI:** 90+

ELECTRICAL

- Dimmable constant current driver (included)
- Fully dimmable down to 10%, with 0-10V and TRIAC dimming
- Thermally protected
- Remote driver with junction box for easy access
- Suitable for damp location

HOUSING

- 18 gauge galvanized steel housing
- Housing complete with adjustable mounting clips
- Suitable for 1/2" and 5/8" drywall
- Junction box is listed for through branch wiring and has six 3/4" and one 1" knockouts with true pry-out slots. Four Romex knockouts included built in strain relief and require no additional clamps

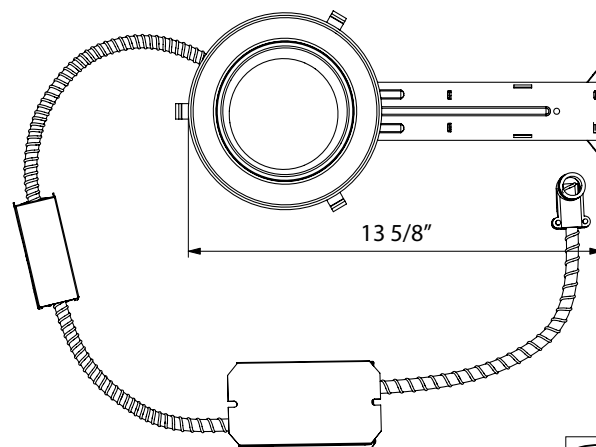
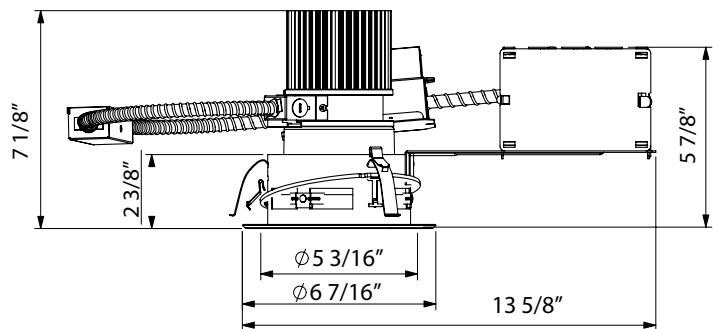
DIMENSIONS

- **Cut hole:** $\phi 5"$
- **Fixture:** $\phi 6 \frac{7}{16}" \times 7 \frac{1}{8}"$ H

CUSTOMIZATION

- For customization, please consult Eurofase

PRODUCT DIMENSIONS



$\phi 5"$

ORDERING GUIDE

Example: 4RM-16-30-2-1-L-F-WP

MODEL	WATTAGE	KELVIN	BEAM ANGLE	DRIVER	DIMMING	REFLECTOR / LENS	TRIM / RING
4RM	-16 16W	-30 3000K	-2 Narrow 20°	-1 120V	-L 0-10V Dimming	-S Semi-Specular	-WP White Plastic
	-25 25W	-35 3500K	-4 Wide 40°	-2 277V	-T TRIAC Dimming	-W White	-BP Black Plastic
	-38 38W	-40 4000K		-3 347V		-F Frosted Lens	-SN Satin Nickel
						-X Wall Washer	-WM White Metal
							-BM Black Metal

LED 4" NON-IC NEW CONSTRUCTION HOUSING

4NC



LAMPING

- Available in 16W 1200lm, 25W 2000lm or 38W 3000lm high efficiency LED
- **Beam angle:** 20°/40°
- **Color temperature:** 3000K/3500K/4000K
- **CRI:** 90

ELECTRICAL

- Dimmable constant current driver (included)
- Fully dimmable down to 10%, with 0-10V and TRIAC dimming
- Thermally protected
- Remote driver with junction box for easy access
- Suitable for damp location

HOUSING

- 18 gauge galvanized steel housing
- Junction box is listed for through branch wiring and has six 3/4" and one 1" knockouts with true pry-out slots. Four Romex knockouts included built in strain relief and require no additional clamps
- Nail free hanger bars are adjustable from 13-5/8" to 24"

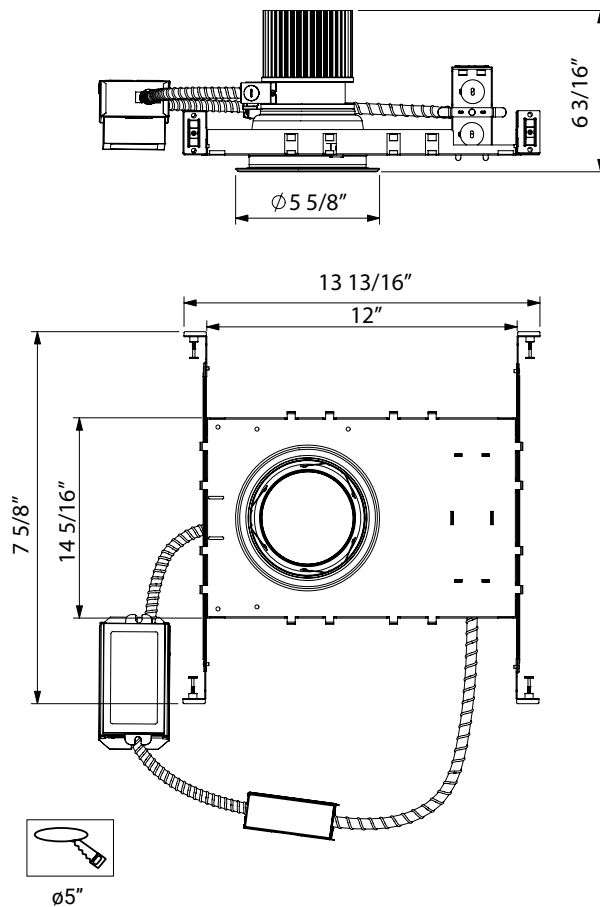
DIMENSIONS

- **Cut hole:** $\phi 5"$
- **Fixture:** 5 5/8"W x 6 3/16"H

CUSTOMIZATION

- For customization, please consult Eurofase

PRODUCT DIMENSIONS



RECESSED - 4"

ORDERING GUIDE

Example: 4NC-16-30-2-1-L-F-WP

MODEL	WATTAGE	KELVIN	BEAM ANGLE	DRIVER	DIMMING	REFLECTOR / LENS	TRIM / RING
4NC	-16 16W -25 25W -38 38W	-30 3000K -35 3500K -40 4000K	-2 Narrow 20° -4 Wide 40°	-1 120V -2 277V -3 347V	-L 0-10V Dimming -T TRIAC Dimming	-S Semi-Specular -W White -F Frosted Lens -X Wall Washer	-WP White Plastic -BP Black Plastic -SN Satin Nickel -WM White Metal -BM Black Metal

RECESSED

4" NON-IC ARCHITECTURAL FRAME-IN HOUSING LED

4AP



LAMPING

- Available in 16W 1200lm, 25W 2000lm or 38W 3000lm high efficiency LED
- **Beam angle:** 20°/40°
- **Color temperature:** 3000K/3500K/4000K
- **CRI:** 90+

ELECTRICAL

- Dimmable constant current driver (included)
- Fully dimmable down to 10%, with 0-10V and TRIAC dimming
- Thermally protected
- Remote driver with junction box for easy access
- Suitable for damp location

HOUSING

- 18 gauge galvanized steel housing
- Housing complete with adjustable mounting clips
- Universal brackets accept C-Channel or flat bar hangers, or 1/2" steel conduit to secure to ceiling
- Junction box is listed for through branch wiring and has six 3/4" and one 1" knockouts with true pry-out slots. Four Romex knockouts included built in strain relief and require no additional clamps

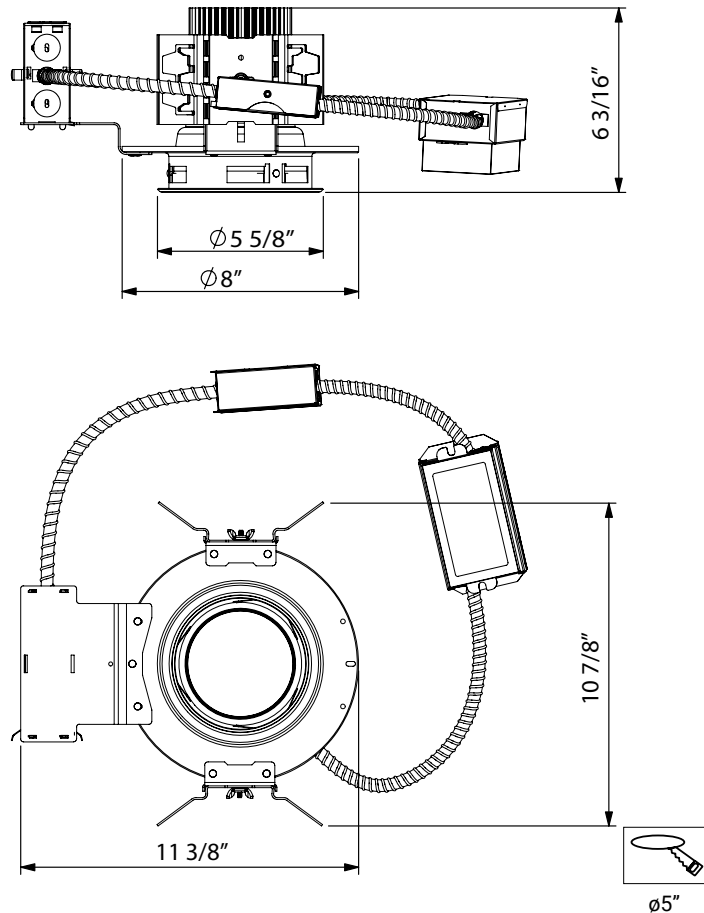
DIMENSIONS

- **Cut hole:** $\phi 5"$
- **Fixture:** 5 5/8"W x 6 3/16"H

CUSTOMIZATION

- For customization, please consult Eurofase

PRODUCT DIMENSIONS



ORDERING GUIDE

Example: 4AP-16-30-2-1-L-F-WP

MODEL	WATTAGE	KELVIN	BEAM ANGLE	DRIVER	DIMMING	REFLECTOR / LENS	TRIM / RING
4AP	-16 16W	-30 3000K	-2 Narrow 20°	-1 120V	-L 0-10V Dimming	-S Semi-Specular	-WP White Plastic
	-25 25W	-35 3500K	-4 Wide 40°	-2 277V	-T TRIAC Dimming	-W White	-BP Black Plastic
	-38 38W	-40 4000K		-3 347V		-F Frosted Lens	-SN Satin Nickel
						-X Wall Washer	-WM White Metal
							-BM Black Metal

LED 4" NON-IC REMODEL HOUSING

29682



LAMPING

- 1 x 45W Integrated LED TRIAC and 0-10V Dimming.
For alternate dimming options consult Eurofase
- **Beam angle:** 40°
- **Kelvin:** 3000K
- **Lumen per head:** 3000lm
- **CRI:** 80+

ELECTRICAL

- Class 2 dimmable constant current driver (included)
- Driver box mates to fixture by 12" flexible BX cable
- Thermally protected
- **Input voltage:** 120V
For 277V and 347V input options consult Eurofase

HOUSING

- 18 gauge powder coated steel housing
- Junction box is listed for through branch wiring and has five 3/4" with true pry-out slots
- Housing complete with adjustable mounting clips
- Suitable for 1/2" and 5/8" drywall

DIMENSIONS

- **Cut hole:** $\phi 4 \frac{1}{2}$ "
- **Fixture:** $\phi 5 \frac{7}{16}$ " x 7 1/4"H

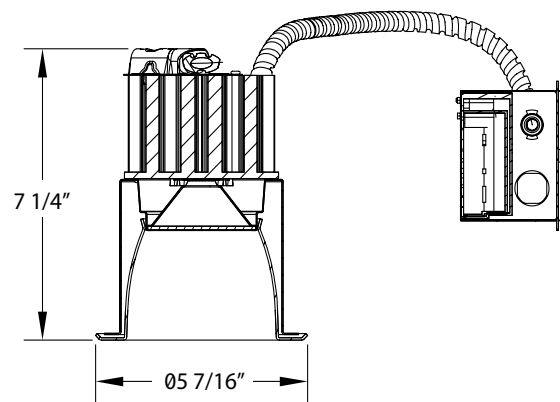
CUSTOMIZATION

- For customization, please consult Eurofase

SPECIFICATIONS

LED	WATTS	LUMENS	KELVIN	DIMMABLE	CRI	BEAM ANGLE
	45W	3000lm	3000K	TRIAC / 0-10V	80+	40°

PRODUCT DIMENSIONS



FINISHES



RECESSED

4" NON-IC NEW CONSTRUCTION HOUSING LED

29681



LAMPING

- 1 x 45W Integrated LED TRIAC and 0-10V Dimming.
- For alternate dimming options consult Eurofase
- **Beam angle:** 40°
- **Kelvin:** 3000K
- **Lumen per head:** 3000lm
- **CRI:** 80+
- **IP Rating:** IP20

ELECTRICAL

- Class 2 dimmable constant current driver (included)
- Driver box mates to fixture by 12" flexible BX cable
- Thermally protected
- Input voltage: 120V
- For 277V and 347V input options consult Eurofase

HOUSING

- 18 gauge powder coated steel housing
- Universal brackets accept C-Channel or flat bar hangers, or 1/2" steel conduit to secure to ceiling
- Junction box is listed for through branch wiring and has six 3/4" and five 1" knockouts with true pry-out slots. Four Romex knockouts included built in strain relief and require no additional clamps

DIMENSIONS

- **Cut hole:** $\phi 4 \frac{3}{4}$ "
- **Fixture:** 11 5/16"L x 10 3/4"W x 7 1/4"H

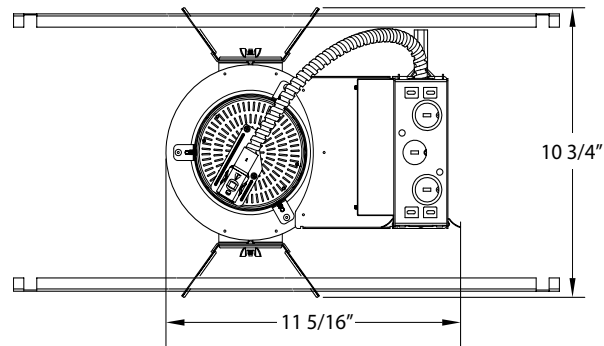
CUSTOMIZATION

- For customization, please consult Eurofase

SPECIFICATIONS

LED	WATTS	LUMENS	KELVIN	DIMMABLE	CRI	BEAM ANGLE
	45W	3000lm	3000K	TRIAC / 0-10V	80+	40°

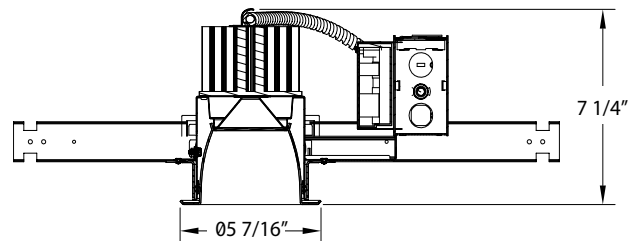
PRODUCT DIMENSIONS



FINISHES



-013 White/White



$\phi 4 \frac{3}{4}$ "

LED 6" NON-IC REMODEL HOUSING

6RM



LAMPING

- Available in 16W 1200lm, 25W 2000lm or 38W 3000lm high efficiency LED
- **Beam angle:** 20°/40°
- **Color temperature:** 3000K/3500K/4000K
- **CRI:** 90+

ELECTRICAL

- Dimmable constant current driver (included)
- Fully dimmable down to 10%, with 0-10V and TRIAC dimming
- Thermally protected
- Remote driver with junction box for easy access
- Suitable for damp location

HOUSING

- 18 gauge galvanized steel housing
- Housing complete with adjustable mounting clips
- Suitable for 1/2" and 5/8" drywall
- Junction box is listed for through branch wiring and has six 3/4" and one 1" knockouts with true pry-out slots. Four Romex knockouts included built in strain relief and require no additional clamps

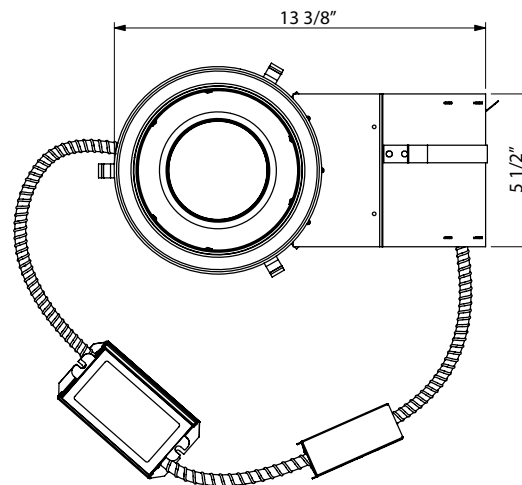
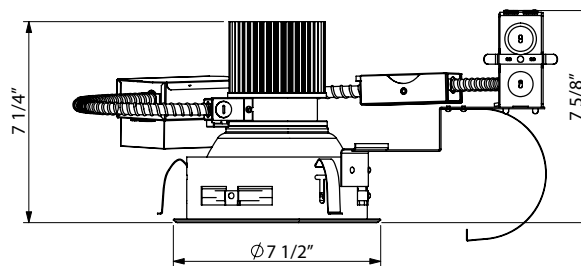
DIMENSIONS

- **Cut hole:** $\phi 6 \frac{3}{4}$ "
- **Fixture:** $\phi 7 \frac{1}{2}$ " x 7 1/4"H

CUSTOMIZATION

- For customization, please consult Eurofase

PRODUCT DIMENSIONS



$\phi 6 \frac{3}{4}$ "

ORDERING GUIDE

Example: 6RM-16-30-2-1-L-F-WP

MODEL	WATTAGE	KELVIN	BEAM ANGLE	DRIVER	DIMMING	REFLECTOR / LENS	TRIM / RING
6RM	-16 16W	-30 3000K	-2 Narrow 20°	-1 120V	-L 0-10V Dimming	-S Semi-Specular	-WP White Plastic
	-25 25W	-35 3500K	-4 Wide 40°	-2 277V	-T TRIAC Dimming	-W White	-BP Black Plastic
	-38 38W	-40 4000K		-3 347V		-F Frosted Lens	-SN Satin Nickel
						-X Wall Washer	-WM White Metal
							-BM Black Metal

RECESSED

6" NON-IC NEW CONSTRUCTION HOUSING LED

6NC



LAMPING

- Available in 16W 1200lm, 25W 2000lm or 38W 3000lm high efficiency LED
- **Beam angle:** 20°/40°
- **Color temperature:** 3000K/3500K/4000K
- **CRI:** 90+

ELECTRICAL

- Dimmable constant current driver (included)
- Fully dimmable down to 10%, with 0-10V and TRIAC dimming
- Thermally protected
- Remote driver with junction box for easy access
- Suitable for damp location

HOUSING

- 18 gauge galvanized steel housing
- Junction box is listed for through branch wiring and has six 3/4" and one 1" knockouts with true pry-out slots. Four Romex knockouts included built in strain relief and require no additional clamps
- Nail free hanger bars are adjustable from 13-5/8" to 24"

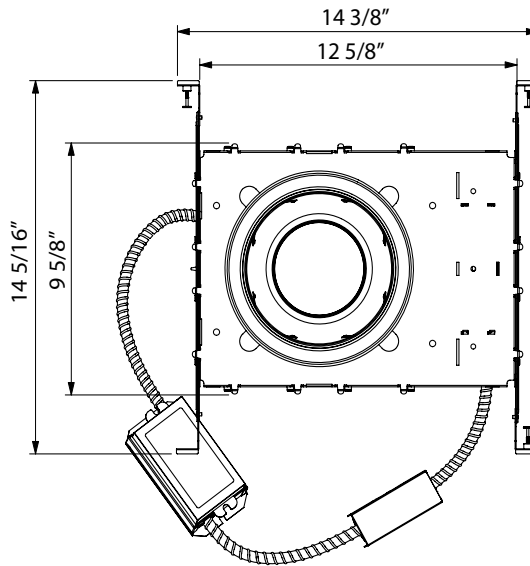
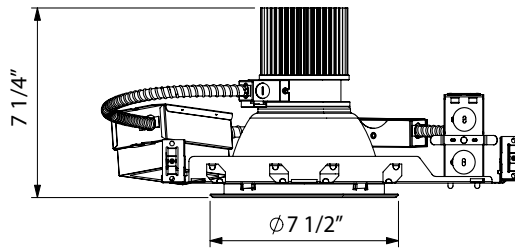
DIMENSIONS

- **Cut hole:** $\phi 6 \frac{3}{4}$ "
- **Fixture:** $\phi 7 \frac{1}{2}$ " x $7 \frac{1}{4}$ "H

CUSTOMIZATION

- For customization, please consult Eurofase

PRODUCT DIMENSIONS



ORDERING GUIDE

Example: 6NC-16-30-2-1-L-F-WP

MODEL	WATTAGE	KELVIN	BEAM ANGLE	DRIVER	DIMMING	REFLECTOR / LENS	TRIM / RING
6NC	-16 16W	-30 3000K	-2 Narrow 20°	-1 120V	-L 0-10V Dimming	-S Semi-Specular	-WP White Plastic
	-25 25W	-35 3500K	-4 Wide 40°	-2 277V	-T TRIAC Dimming	-W White	-BP Black Plastic
	-38 38W	-40 4000K		-3 347V		-F Frosted Lens	-SN Satin Nickel
						-X Wall Washer	-WM White Metal
							-BM Black Metal

LED 6" NON-IC ARCHITECTURAL FRAME-IN HOUSING

6AP



LAMPING

- Available in 16W 1200lm, 25W 2000lm or 38W 3000lm high efficiency LED
- **Beam angle:** 20°/40°
- **Color temperature:** 3000K/3500K/4000K
- **CRI:** 90

ELECTRICAL

- Dimmable constant current driver (included)
- Fully dimmable down to 10%, with 0-10V and TRIAC dimming
- Thermally protected
- Remote driver with junction box for easy access
- Suitable for damp location

HOUSING

- 18 gauge galvanized steel housing
- Housing complete with adjustable mounting clips
- Junction box is listed for through branch wiring and has six 3/4" and one 1" knockouts with true pry-out slots. Four Romex knockouts included built in strain relief and require no additional clamps
- Universal brackets accept C-Channel or flat bar hangers, or 1/2" steel conduit to secure to ceiling

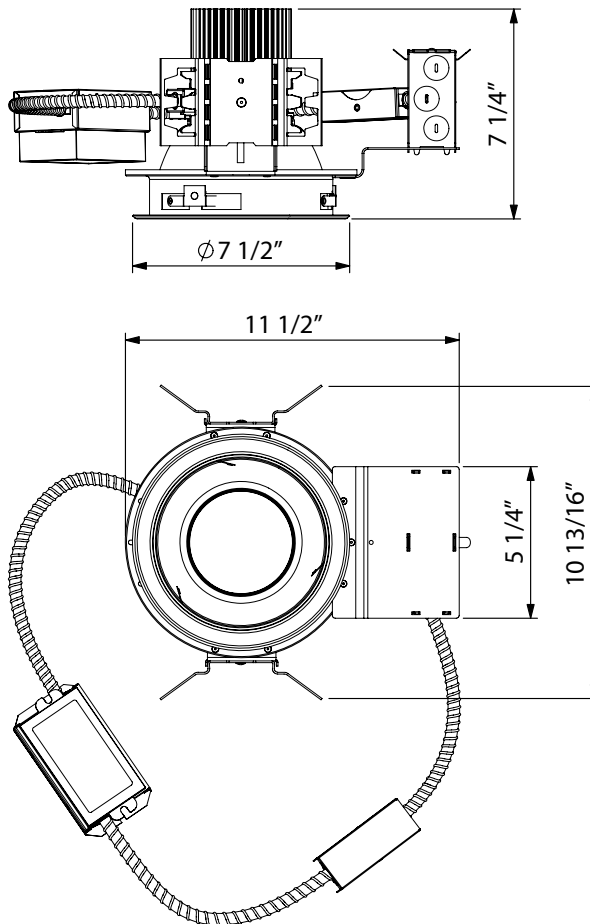
DIMENSIONS

- **Cut hole:** ø6 3/4"
- **Fixture:** ø7 1/2" x 7 1/4"H

CUSTOMIZATION

- For customization, please consult Eurofase

PRODUCT DIMENSIONS



ORDERING GUIDE

Example: 6AP-16-30-2-1-L-F-WP

MODEL	WATTAGE	KELVIN	BEAM ANGLE	DRIVER	DIMMING	REFLECTOR / LENS	TRIM / RING
6AP	-16 16W	-30 3000K	-2 Narrow 20°	-1 120V	-L 0-10V Dimming	-S Semi-Specular	-WP White Plastic
	-25 25W	-35 3500K	-4 Wide 40°	-2 277V	-T TRIAC Dimming	-W White	-BP Black Plastic
	-38 38W	-40 4000K		-3 347V		-F Frosted Lens	-SN Satin Nickel
						-X Wall Washer	-WM White Metal
							-BM Black Metal

RECESSED

6" NON-IC REMODEL HOUSING

29684



LAMPING

- 1 x 60W Integrated LED TRIAC and 0-10V Dimming.
For alternate dimming options consult Eurofase
- **Beam angle:** 30°
- **Kelvin:** 3000K
- **Lumen per head:** 4000lm
- **CRI:** 80+

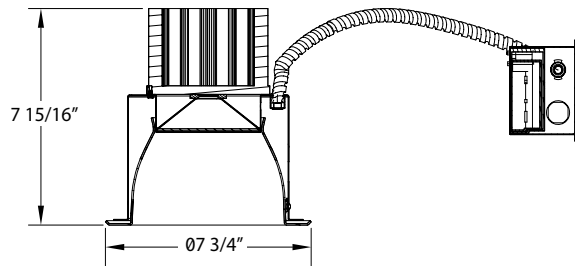
SPECIFICATIONS

LED	WATTS	LUMENS	KELVIN	DIMMABLE	CRI	BEAM ANGLE
	60W	4000lm	3000K	TRIAC / 0-10V	80+	40°

ELECTRICAL

- Class 2 dimmable constant current driver (included)
- Driver box mates to fixture by 12" flexible BX cable
- Thermally protected
- **Input voltage:** 120V
For 277V and 347V input options consult Eurofase

PRODUCT DIMENSIONS



FINISHES



-014 White/White



-023 White/Chrome

HOUSING

- 18 gauge powder coated steel housing
- Housing complete with adjustable mounting clips
- Suitable for 1/2" and 5/8" drywall
- Junction box is listed for through branch wiring and has five 3/4" knockout with true pry-out

DIMENSIONS

- **Cut hole:** $\phi 6 \frac{3}{8}$ "
- **Fixture:** $\phi 7 \frac{13}{16}$ " x 7 15/16"H

CUSTOMIZATION

- For customization, please consult Eurofase



$\phi 6 \frac{3}{8}$ "



6" NON-IC NEW CONSTRUCTION HOUSING

29683



LAMPING

- 1 x 60W Integrated LED TRIAC and 0-10V Dimming.
For alternate dimming options consult Eurofase
- **Beam angle:** 30°
- **Kelvin:** 3000K
- **Lumen per head:** 4000lm
- **CRI:** 80+

SPECIFICATIONS

LED

WATTS	LUMENS	KELVIN	DIMMABLE	CRI	BEAM ANGLE
60W	4000lm	3000K	TRIAC / 0-10V	80+	40°

ELECTRICAL

- Class 2 dimmable constant current driver (included)
- Driver box mates to fixture by 12" flexible BX cable
- Thermally protected
- **Input voltage:** 120V
For 277V and 347V input options consult Eurofase

HOUSING

- 18 gauge powder coated steel housing
- Junction box is listed for through branch wiring and has six 3/4" and five 1" knockouts with true pry-out slots. Four Romex knockouts included built in strain relief and require no additional clamps
- Universal brackets accept C-Channel or flat bar hangers, or 1/2" steel conduit to secure to ceiling

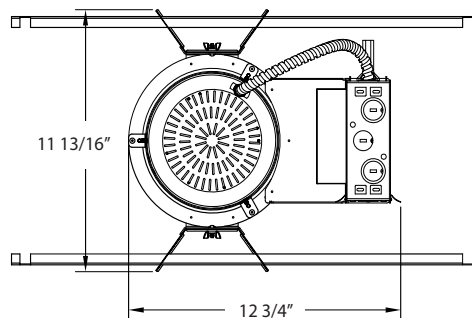
DIMENSIONS

- **Cut hole:** $\phi 6 \frac{5}{8}$ "
- **Fixture:** 12 3/16"L x 11 3/16"W x 7 15/16"H

CUSTOMIZATION

- For customization, please consult Eurofase

PRODUCT DIMENSIONS



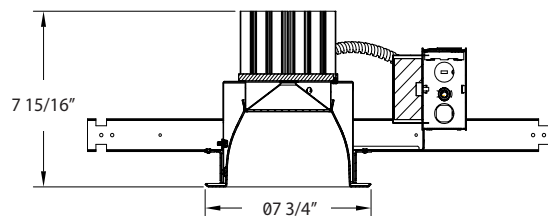
FINISHES



-017 White/White



-025 White/Chrome



$\phi 6 \frac{5}{8}$ "



LED 8" NON-IC REMODEL HOUSING

8RM



LAMPING

- Available in 16W 1200lm, 25W 2000lm or 38W 3000lm high efficiency LED
- **Beam angle:** 20°/40°
- **Color temperature:** 3000K/3500K/4000K
- **CRI:** 90+

ELECTRICAL

- Dimmable constant current driver (included)
- Fully dimmable down to 10%, with 0-10V and TRIAC dimming
- Thermally protected
- Remote driver with junction box for easy access
- Suitable for damp location

HOUSING

- 18 gauge galvanized steel housing
- Housing complete with adjustable mounting clips
- Suitable for 1/2" and 5/8" drywall
- Junction box is listed for through branch wiring and has six 3/4" and one 1" knockouts with true pry-out slots. Four Romex knockouts included built in strain relief and require no additional clamps

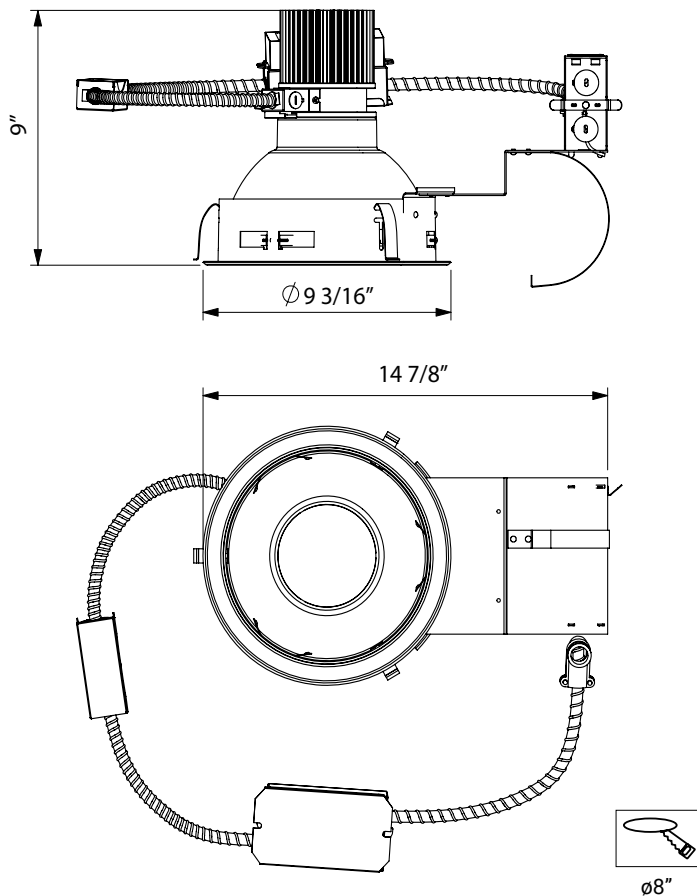
DIMENSIONS

- **Cut hole:** ø8"
- **Fixture:** ø9 3/16" x 9"H

CUSTOMIZATION

- For customization, please consult Eurofase

PRODUCT DIMENSIONS



ORDERING GUIDE

Example: 8RM-16-30-2-1-L-F-WP

MODEL	WATTAGE	KELVIN	BEAM ANGLE	DRIVER	DIMMING	REFLECTOR / LENS	TRIM / RING
8RM	-16 16W	-30 3000K	-2 Narrow 20°	-1 120V	-L 0-10V Dimming	-S Semi-Specular	-WP White Plastic
	-25 25W	-35 3500K	-4 Wide 40°	-2 277V	-T TRIAC Dimming	-W White	-BP Black Plastic
	-38 38W	-40 4000K		-3 347V		-F Frosted Lens	-SN Satin Nickel
						-X Wall Washer	-WM White Metal
							-BM Black Metal

RECESSED

8" NON-IC NEW CONSTRUCTION HOUSING LED

8NC



LAMPING

- Available in 16W 1200lm, 25W 2000lm or 38W 3000lm high efficiency LED
- **Beam angle:** 20°/40°
- **Color temperature:** 3000K/3500K/4000K
- **CRI:** 90+

ELECTRICAL

- Dimmable constant current driver (included)
- Fully dimmable down to 10%, with 0-10V and TRIAC dimming
- Thermally protected
- Remote driver with junction box for easy access
- Suitable for damp location

HOUSING

- 18 gauge galvanized steel housing
- Junction box is listed for through branch wiring and has six 3/4" and one 1" knockouts with true pry-out slots. Four Romex knockouts included built in strain relief and require no additional clamps
- Nail free hanger bars are adjustable from 13-5/8" to 24"

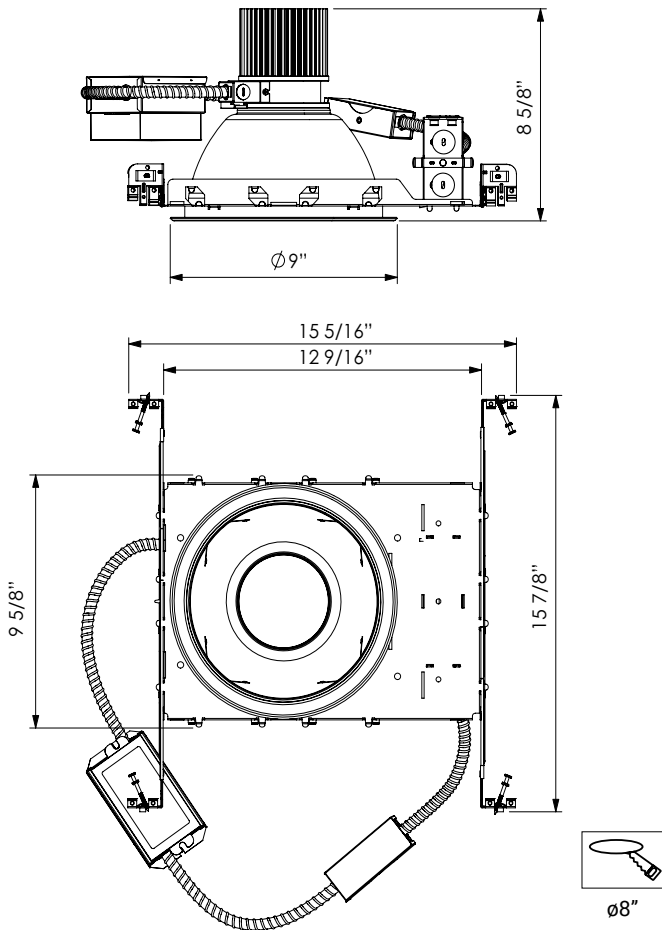
DIMENSIONS

- **Cut hole:** ø8"
- **Fixture:** ø9" x 8 5/8"H

CUSTOMIZATION

- For customization, please consult Eurofase

PRODUCT DIMENSIONS



ORDERING GUIDE

Example: 8NC-16-30-2-1-L-F-WP

MODEL	WATTAGE	KELVIN	BEAM ANGLE	DRIVER	DIMMING	REFLECTOR / LENS	TRIM / RING
8NC	-16 16W	-30 3000K	-2 Narrow 20°	-1 120V	-L 0-10V Dimming	-S Semi-Specular	-WP White Plastic
	-25 25W	-35 3500K	-4 Wide 40°	-2 277V	-T TRIAC Dimming	-W White	-BP Black Plastic
	-38 38W	-40 4000K		-3 347V		-F Frosted Lens	-SN Satin Nickel
						-X Wall Washer	-WM White Metal
							-BM Black Metal

LED 8" NON-IC ARCHITECTURAL FRAME-IN HOUSING

8AP



LAMPING

- Available in 16W 1200lm, 25W 2000lm or 38W 3000lm high efficiency LED
- **Beam angle:** 20°/40°
- **Color temperature:** 3000K/3500K/4000K
- **CRI:** 90+

ELECTRICAL

- Dimmable constant current driver (included)
- Fully dimmable down to 10%, with 0-10V and TRIAC dimming
- Thermally protected
- Remote driver with junction box for easy access
- Suitable for damp location

HOUSING

- 18 gauge galvanized steel housing
- Housing complete with adjustable mounting clips
- Junction box is listed for through branch wiring and has six 3/4" and one 1" knockouts with true pry-out slots. Four Romex knockouts included built in strain relief and require no additional clamps
- Universal brackets accept C-Channel or flat bar hangers, or 1/2" steel conduit to secure to ceiling

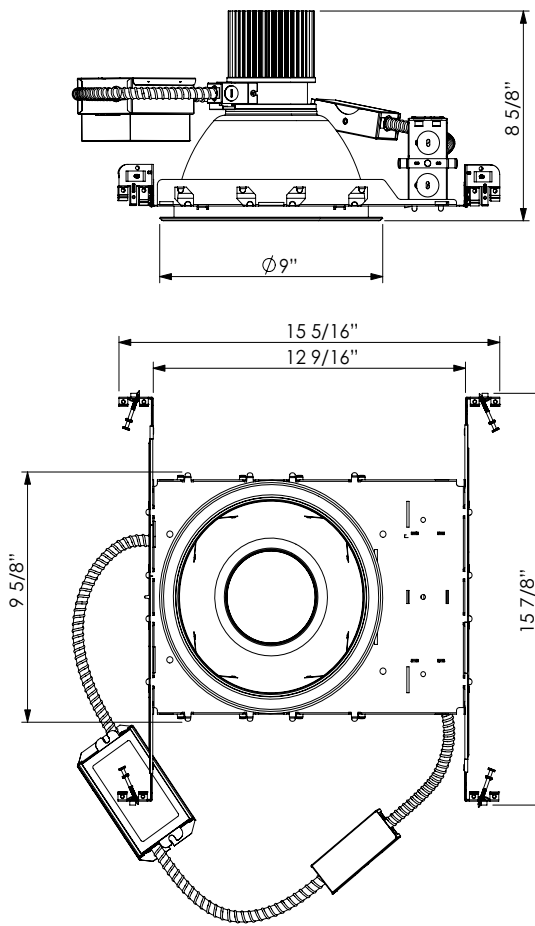
DIMENSIONS

- **Cut hole:** ø8"
- **Fixture:** ø9" x 8 5/8"H

CUSTOMIZATION

- For customization, please consult Eurofase

PRODUCT DIMENSIONS



RECESSED - 8"

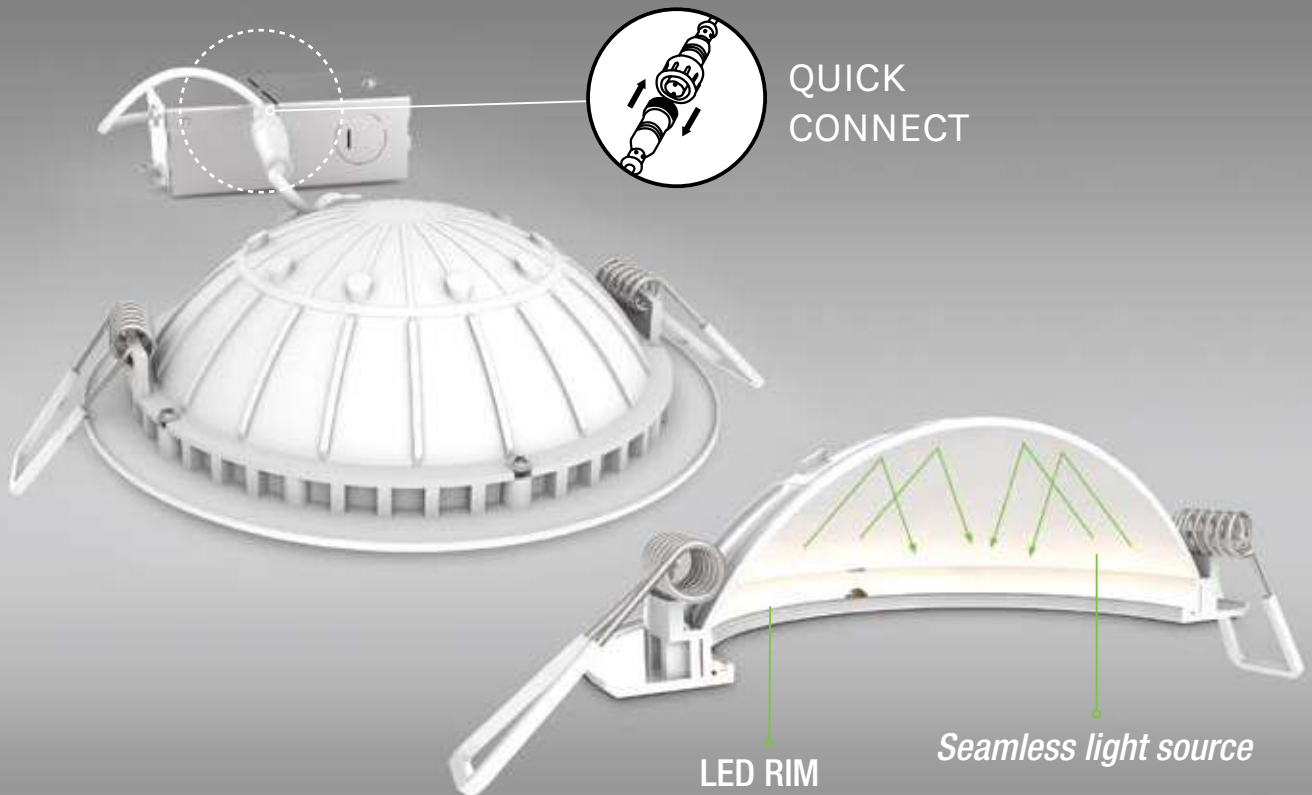
ORDERING GUIDE

Example: 8AP-16-30-2-1-L-F-WP

MODEL	WATTAGE	KELVIN	BEAM ANGLE	DRIVER	DIMMING	REFLECTOR / LENS	TRIM / RING
8AP	-16 16W -25 25W -38 38W	-30 3000K -35 3500K -40 4000K	-2 Narrow 20° -4 Wide 40°	-1 120V -2 277V -3 347V	-L 0-10V Dimming -T TRIAC Dimming	-S Semi-Specular -W White -F Frosted Lens -X Wall Washer	-WP White Plastic -BP Black Plastic -SN Satin Nickel -WM White Metal -BM Black Metal

RECESSED

ULTRA SLIM LED LED



QUICK
CONNECT

LED RIM

Seamless light source

ULTRA SLIM LED

28987 | 4" ULTRA SLIM ROUND LED RECESSED

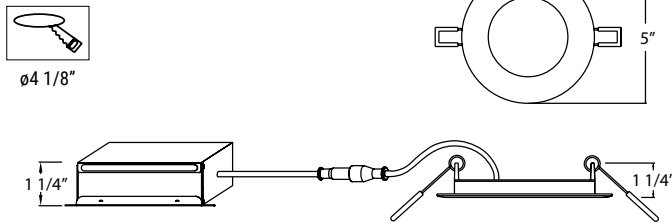


Bulb Type: LED Integrated
Input Voltage: 120V
Wattage: 9W
Dimmable: Yes
Kelvin: 3000K
Lumens: 550lm
CRI: 80+
Beam Angle: 120°
IC Airtight Rated: Yes

LED

WATTS	LUMENS	KELVIN	DIMMABLE	CRI	IC AIR TIGHT RATED	BEAM ANGLE
9W	550lm	3000K	TRIAC	80+	YES	120°

PRODUCT DIMENSIONS



FINISHES



28988 | 4" ULTRA SLIM ROUND LED RECESSED

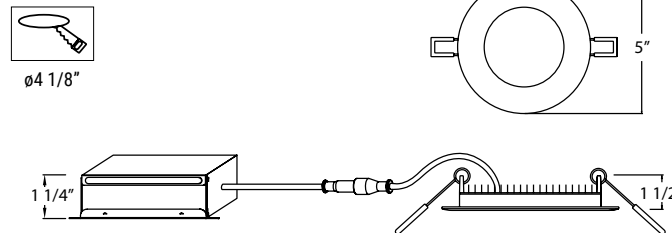


Bulb Type: LED Integrated
Input Voltage: 120V
Wattage: 12W
Dimmable: Yes
Kelvin: 3000K
Lumens: 700lm
CRI: 80+
Beam Angle: 120°
IC Airtight Rated: Yes

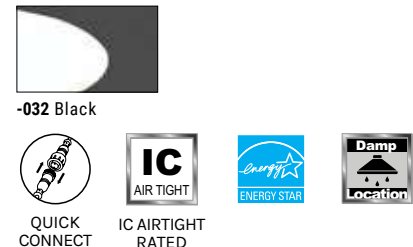
LED

WATTS	LUMENS	KELVIN	DIMMABLE	CRI	IC AIR TIGHT RATED	BEAM ANGLE
12W	700lm	3000K	TRIAC	80+	YES	120°

PRODUCT DIMENSIONS



FINISHES

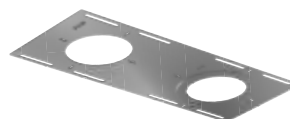


***HOUSING OPTIONS (SOLD SEPARATELY):**



NO IC BOX REQUIRED

31278-010 3 IN 1 SMASH PLATE
 (4 1/8", 4 3/8" AND 6 1/8")



Dimension 16" L x 9 1/2" W
Cut Hole 4 1/8", 4 3/8" and 6 1/8"

RECESSED

ULTRA SLIM LED

31488 | 4" ULTRA SLIM SQUARE LED RECESSED



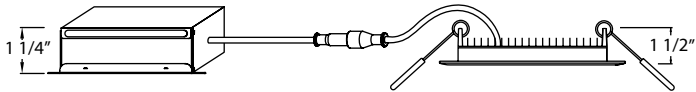
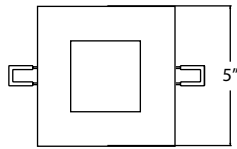
LED

WATTS	LUMENS	KELVIN	DIMMABLE	CRI	IC AIRTIGHT RATED	BEAM ANGLE
12W	700lm	3000K	TRIAC	80+	YES	120°

PRODUCT DIMENSIONS



4 1/8" L x 4 1/8" W



Bulb Type: LED
Input Voltage: 120V
Wattage: 12W
Dimmable: Yes
Kelvin: 3000K
Lumens: 700lm
CRI: 80+
Beam Angle: 120°
IC Airtight Rated: Yes

FINISHES



-013 White



-037 Brushed Nickel



-020 Black



QUICK CONNECT



IC AIR TIGHT RATED



28990 | 6" ULTRA SLIM ROUND LED RECESSED



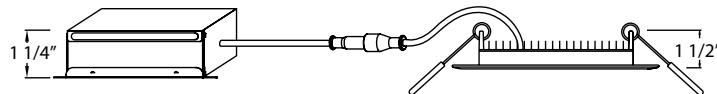
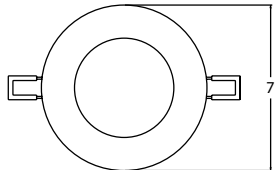
LED

WATTS	LUMENS	KELVIN	DIMMABLE	CRI	IC AIRTIGHT RATED	BEAM ANGLE
15W	900lm	3000K	TRIAC	80+	YES	120°

PRODUCT DIMENSIONS



ø6 1/8"



Bulb Type: LED Integrated
Input Voltage: 120V
Wattage: 15W
Dimmable: Yes
Kelvin: 3000K
Lumens: 900lm
CRI: 80+
Beam Angle: 120°
IC Airtight Rated: Yes

FINISHES



-017 White



-024 Brushed Nickel



QUICK CONNECT



IC AIR TIGHT RATED

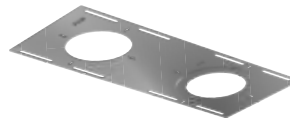


*HOUSING OPTIONS (SOLD SEPARATELY):



NO IC BOX REQUIRED

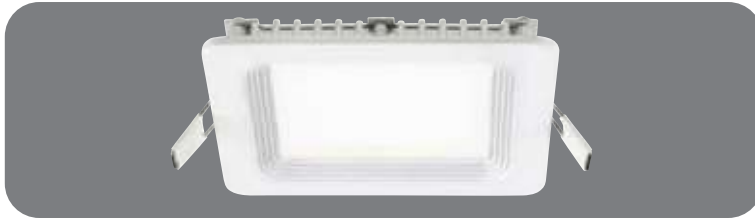
31278-010 3 IN 1 SMASH PLATE
 (4 1/8", 4 3/8" AND 6 1/8")



Dimension 16"L x 9 1/2"W
Cut Hole 4 1/8", 4 3/8" and 6 1/8"

ULTRA SLIM LED

31242-02 | 4" SQUARE RIBBED LED RECESSED



Bulb Type: LED
Input Voltage: 120V
Wattage: 9W
Dimmable: Yes
Kelvin: 3000K
Lumens: 580lm
CRI: 80+
Beam Angle: 120°
IC Airtight Rated: Yes

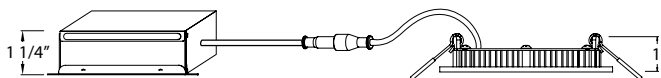
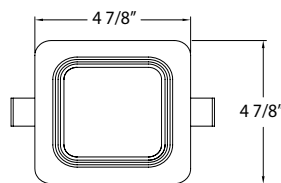
LED

WATTS	LUMENS	KELVIN	DIMMABLE	CRI	IC AIRTIGHT RATED	BEAM ANGLE
9W	580lm	3000K	TRIAC	80+	YES	120°

PRODUCT DIMENSIONS



4 3/8" L x 4 3/8" W



FINISHES



-02 White



QUICK CONNECT



IC AIRTIGHT RATED



DAMP LOCATION

31243-02 | 4" ROUND RIBBED LED RECESSED



Bulb Type: LED
Input Voltage: 120V
Wattage: 9W
Dimmable: Yes
Kelvin: 3000K
Lumens: 580lm
CRI: 80+
Beam Angle: 120°
IC Airtight Rated: Yes

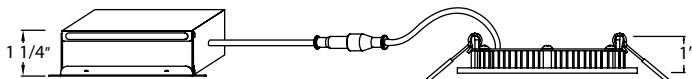
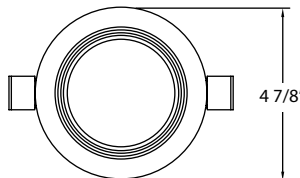
LED

WATTS	LUMENS	KELVIN	DIMMABLE	CRI	IC AIRTIGHT RATED	BEAM ANGLE
9W	580lm	3000K	TRIAC	80+	YES	120°

PRODUCT DIMENSIONS



ø4 3/8"



FINISHES



-02 White



QUICK CONNECT



IC AIRTIGHT RATED



DAMP LOCATION

*HOUSING OPTIONS (SOLD SEPARATELY):



NO IC BOX REQUIRED

32552-010 4 IN 1 SMASH PLATE (4", 6" ROUND & SQUARE)



Dimension 16" L x 9 1/2" W
Cut Hole 4 3/8" and 6 1/2"

RECESSED

ULTRA SLIM LED

31244-02 | 6" SQUARE RIBBED LED RECESSED



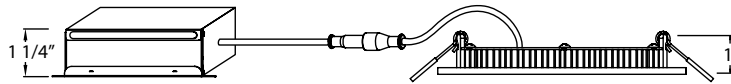
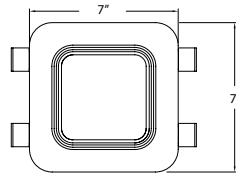
LED

WATTS	LUMENS	KELVIN	DIMMABLE	CRI	IC AIRTIGHT RATED	BEAM ANGLE
15W	1150lm	3000K	TRIAC	80+	YES	120°

PRODUCT DIMENSIONS



6 1/2" L x 6 1/2" W



Bulb Type: LED
Input Voltage: 120V
Wattage: 15W
Dimmable: Yes
Kelvin: 3000K
Lumens: 1150lm
CRI: 80+
Beam Angle: 120°
IC Airtight Rated: Yes

FINISHES



-02 White



QUICK CONNECT



IC AIRTIGHT RATED



31245-02 | 6" ROUND RIBBED LED RECESSED



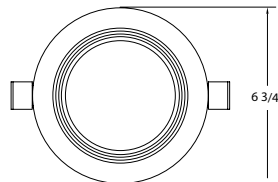
LED

WATTS	LUMENS	KELVIN	DIMMABLE	CRI	IC AIRTIGHT RATED	BEAM ANGLE
15W	1150lm	3000K	TRIAC	80+	YES	120°

PRODUCT DIMENSIONS



ø6 1/2"



Bulb Type: LED
Input Voltage: 120V
Wattage: 15W
Dimmable: Yes
Kelvin: 3000K
Lumens: 1150lm
CRI: 80+
Beam Angle: 120°
IC Airtight Rated: Yes

FINISHES



-02 White



QUICK CONNECT



IC AIRTIGHT RATED



*HOUSING OPTIONS (SOLD SEPARATELY):



**NO IC BOX
 REQUIRED**

32552-010 4 IN 1 SMASH PLATE
 (4", 6" ROUND & SQUARE)



Dimension 16"L x 9 1/2"W
Cut Hole 4 3/8" and 6 1/2"

ULTRA SLIM LED

31434-02 | 6" ROUND DOME LED RECESSED



Bulb Type: LED
Input Voltage: 120V
Wattage: 18W
Dimmable: Yes
Kelvin: 3000K
Lumens: 1280lm
CRI: 80+
Beam Angle: 120°
IC Airtight Rated: Yes
Finish: White

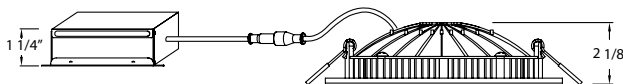
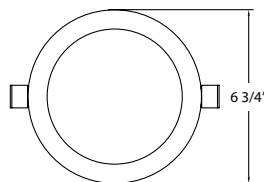
LED

WATTS	LUMENS	KELVIN	DIMMABLE	CRI	IC AIR TIGHT RATED	BEAM ANGLE
18W	1280lm	3000K	TRIAC	80+	YES	120°

PRODUCT DIMENSIONS



ø4 3/8"



FINISHES



-02 White



QUICK CONNECT



IC AIR TIGHT RATED

31433-02 | 6" SQUARE DOME LED RECESSED



Bulb Type: LED
Input Voltage: 120V
Wattage: 18W
Dimmable: Yes
Kelvin: 3000K
Lumens: 1280lm
CRI: 80+
Beam Angle: 120°
IC Airtight Rated: Yes
Finish: White

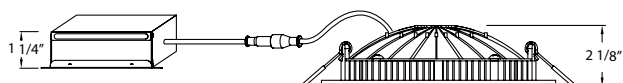
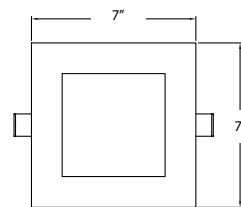
LED

WATTS	LUMENS	KELVIN	DIMMABLE	CRI	IC AIR TIGHT RATED	BEAM ANGLE
18W	1280lm	3000K	TRIAC	80+	YES	120°

PRODUCT DIMENSIONS



6 1/2"L x 6 1/2"W



FINISHES



-02 White



QUICK CONNECT



IC AIR TIGHT RATED

*HOUSING OPTIONS (SOLD SEPARATELY):

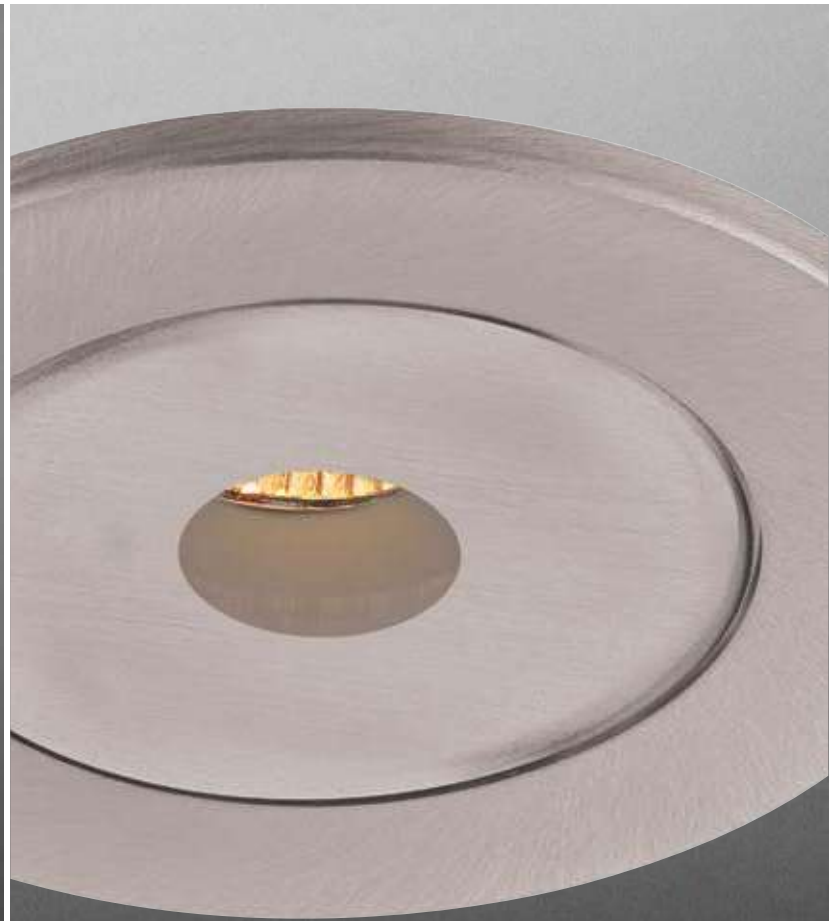
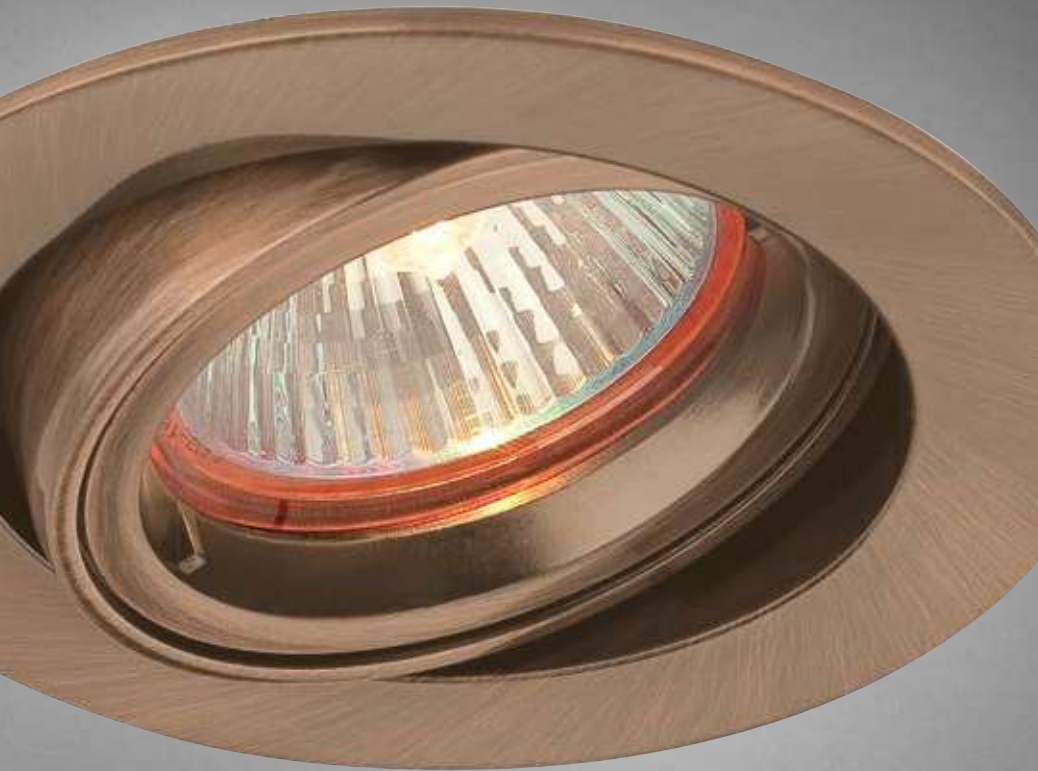


**NO IC BOX
REQUIRED**

32553-017 4 IN 1 SMASH PLATE
(4", 6" ROUND & SQUARE)



Dimension 16"L x 9 1/2"W
Cut Hole 4 3/4" and 6 3/8"



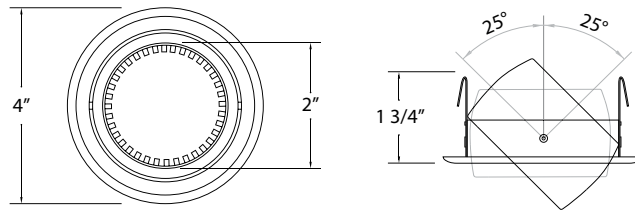
LED *LED COMPATIBLE

3" RECESSED GU10



TE04 | 3" EYEBALL

PRODUCT DIMENSIONS



GU10	
BULB TYPE:	GU10
VOLTAGE:	120V
MAX. WATTAGE:	50W

FINISHES

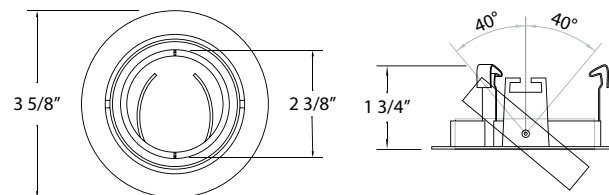


-02 White -04 Satin Nickel



TE90 | 3" GIMBAL

PRODUCT DIMENSIONS



GU10	
BULB TYPE:	GU10
VOLTAGE:	120V
MAX. WATTAGE:	50W

FINISHES



-01 Black -04 Satin Nickel -05 Chrome -06 Antique Brass -09 Bronze

RECESSED

3" RECESSED GU10

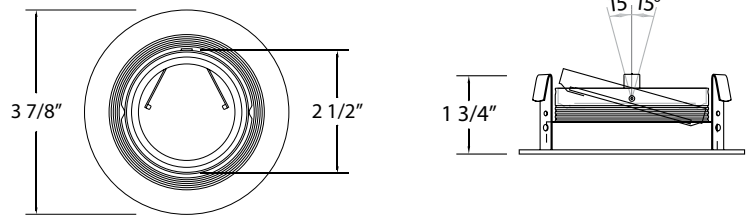
LED *LED COMPATIBLE



GU10	
BULB TYPE:	GU10
VOLTAGE:	120V
MAX. WATTAGE:	50W

TE01 | 3" STEPPED BAFFLE

PRODUCT DIMENSIONS



FINISHES



-89 Satin Nickel /Black



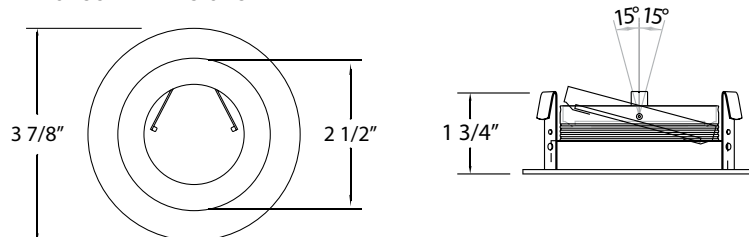
-90 Satin Nickel /White



GU10	
BULB TYPE:	GU10
VOLTAGE:	120V
MAX. WATTAGE:	50W

TE02 | 3" SPECULAR REFLECTOR

PRODUCT DIMENSIONS



FINISHES



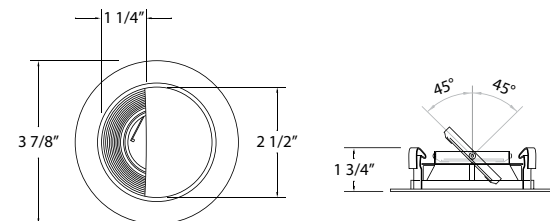
-49 White/Chrome



GU10	
BULB TYPE:	GU10
VOLTAGE:	120V
MAX. WATTAGE:	50W

TE06 | 3" WALL WASHER

PRODUCT DIMENSIONS



FINISHES



-89 Satin Nickel /Black



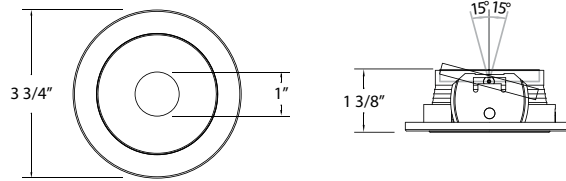
-90 Satin Nickel /White

LED *LED COMPATIBLE

3" RECESSED GU10

23660 | 3" PIN HOLE

PRODUCT DIMENSIONS



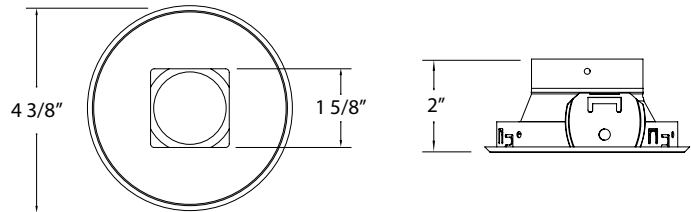
GU10	
BULB TYPE:	GU10
VOLTAGE:	120V
MAX. WATTAGE:	50W

FINISHES



23286 | 3" ROUND REGRESS

PRODUCT DIMENSIONS



GU10	
BULB TYPE:	GU10
VOLTAGE:	120V
MAX. WATTAGE:	50W

FINISHES



HOUSING OPTIONS (SOLD SEPARATELY)

Refer to page 313 -314 for housing specification

GU10 REMODEL GU3-00



Cut Hole:
3 1/4"

Dimension:
11 3/4"L x 3 1/2"W x 4 1/8"H

NEW CONSTRUCTION HOUSING GUC3-00



Cut Hole:
3 1/4"

Dimension:
12 1/8"L x 7 5/8"W x 4"H

INSULATED CEILING HOUSING GUI3-00



Cut Hole:
3 1/4"

Dimension:
12 5/8"L x 9"W x 7 3/4"H

RECESSED

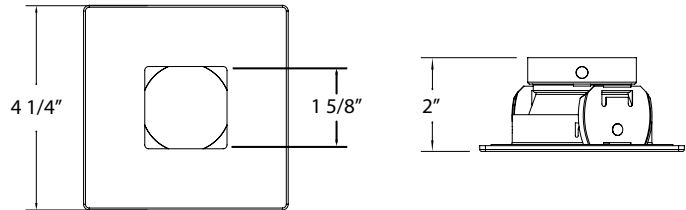
3" RECESSED GU10

LED *LED COMPATIBLE



23287 | 3" SQUARE REGRESS

PRODUCT DIMENSIONS



GU10	
BULB TYPE:	GU10
VOLTAGE:	120V
MAX. WATTAGE:	50W

FINISHES



-01 Black



-02 White



-03 Gold



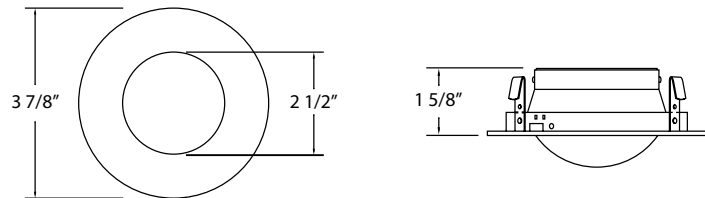
-06 Antique Brass



TR-A301 | 3" SHOWER DOME



PRODUCT DIMENSIONS



GU10	
BULB TYPE:	GU10
VOLTAGE:	120V
MAX. WATTAGE:	50W

FINISHES



-101 Satin Nickel/Frost

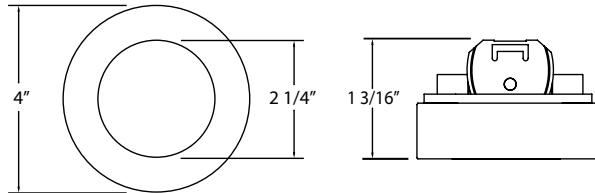
LED *LED COMPATIBLE

3" RECESSED GU10

23935-11 | 3" CRYSTAL CYLINDER



PRODUCT DIMENSIONS



GU10	
BULB TYPE:	GU10
VOLTAGE:	120V
MAX. WATTAGE:	50W

FINISHES

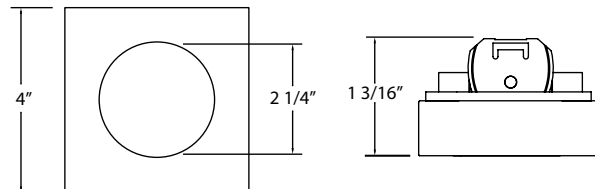


-11 Crystal

23936-11 | 3" CRYSTAL SQUARE



PRODUCT DIMENSIONS



GU10	
BULB TYPE:	GU10
VOLTAGE:	120V
MAX. WATTAGE:	50W

FINISHES



-11 Crystal

HOUSING OPTIONS (SOLD SEPARATELY)

Refer to page 313 -314 for housing specification

GU10

REMODEL
GU3-00



Cut Hole:
3 1/4"

Dimension:
11 3/4"L x 3 1/2"W x 4 1/8"H

NEW CONSTRUCTION HOUSING

GUC3-00



Cut Hole:
3 1/4"

Dimension:
12 1/8"L x 7 5/8"W x 4"H

INSULATED CEILING HOUSING

GUI3-00



Cut Hole:
3 1/4"

Dimension:
12 5/8"L x 9"W x 7 3/4"H

RECESSED

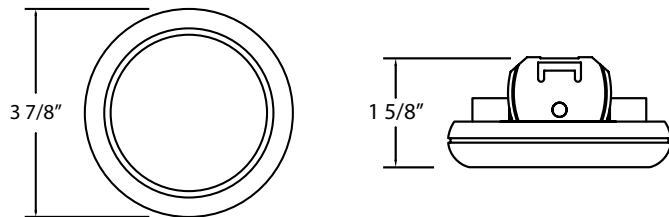
3" RECESSED GU10

LED *LED COMPATIBLE



24808 | 3" ROUND DOWNLIGHT

PRODUCT DIMENSIONS



GU10	
BULB TYPE:	GU10
VOLTAGE:	120V
MAX. WATTAGE:	50W

FINISHES



-101 Satin Nickel /Frosted

-123 Chrome /Frosted

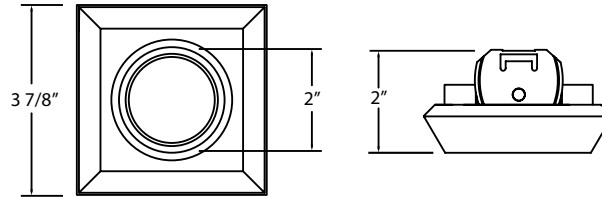
LED *LED COMPATIBLE

3" RECESSED GU10



23933-05 | 3" ALUMINUM SQUARE

PRODUCT DIMENSIONS



GU10	
BULB TYPE:	GU10
VOLTAGE:	120V
MAX. WATTAGE:	50W

FINISHES

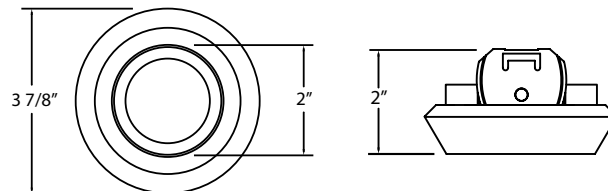


-05 Aluminum



23934-05 | 3" ALUMINUM CYLINDER

PRODUCT DIMENSIONS



GU10	
BULB TYPE:	GU10
VOLTAGE:	120V
MAX. WATTAGE:	50W

FINISHES



-05 Aluminum

HOUSING OPTIONS (SOLD SEPARATELY)

Refer to page 313 -314 for housing specification

GU10 REMODEL GU3-00



Cut Hole:
3 1/4"

Dimension:
11 3/4"L x 3 1/2"W x 4 1/8"H

NEW CONSTRUCTION HOUSING GUC3-00



Cut Hole:
3 1/4"

Dimension:
12 1/8"L x 7 5/8"W x 4"H

INSULATED CEILING HOUSING GUI3-00



Cut Hole:
3 1/4"

Dimension:
12 5/8"L x 9"W x 7 3/4"H

RECESSED

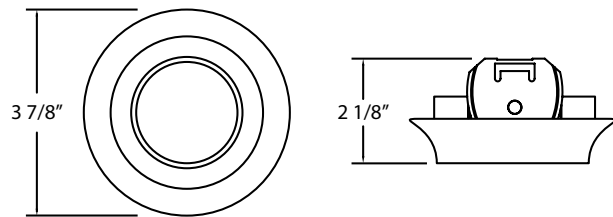
3" RECESSED GU10

LED *LED COMPATIBLE



24802-05 | 3" CHROME REGRESSED DOWNLIGHT

PRODUCT DIMENSIONS



FINISHES



-05 Chrome

GU10

BULB TYPE: GU10
VOLTAGE: 120V
MAX. WATTAGE: 50W

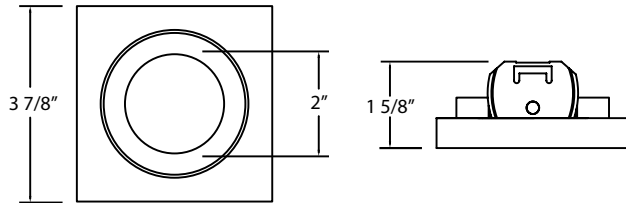
LED *LED COMPATIBLE

3" RECESSED GU10



23931-05 | 3" CHROME SQUARE

PRODUCT DIMENSIONS



GU10	
BULB TYPE:	GU10
VOLTAGE:	120V
MAX. WATTAGE:	50W

FINISHES

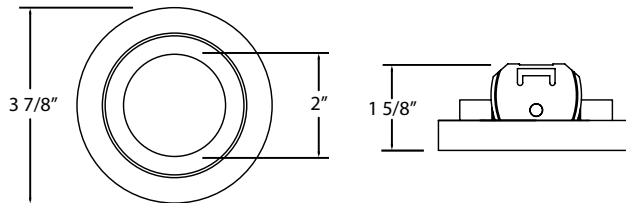


-05 Chrome



23932-05 | 3" CHROME CYLINDER

PRODUCT DIMENSIONS



GU10	
BULB TYPE:	GU10
VOLTAGE:	120V
MAX. WATTAGE:	50W

FINISHES



-05 Chrome

HOUSING OPTIONS (SOLD SEPARATELY)

Refer to page 313 -314 for housing specification

GU10 REMODEL GU3-00



Cut Hole:
3 1/4"

Dimension:
11 3/4"L x 3 1/2"W x 4 1/8"H

NEW CONSTRUCTION HOUSING GUC3-00



Cut Hole:
3 1/4"

Dimension:
12 1/8"L x 7 5/8"W x 4"H

INSULATED CEILING HOUSING GUI3-00



Cut Hole:
3 1/4"

Dimension:
12 5/8"L x 9"W x 7 3/4"H

3" RECESSED GU10 HOUSING OPTIONS

NEW CONSTRUCTION FRAME-IN PLATE

DUAL POSITION REMOVABLE HANGER BARS

NAIL FREE HANGER BARS ADJUSTABLE LENGTH FROM 13 5/8" TO 24"

STOPPER TO SECURE HANGER BARS IN PLACE

VHG-4N01-00

- New Construction Frame-In Plate will accommodate 3", 3 1/4" and 4" fixture
- Nail free hanger bars are adjustable from 13 5/8" to 24"
- For non-insulated ceilings or where insulation must be kept 3" away from housing
- Cut hole size 3 1/4", 3 1/2", 4 3/8"

RECESSED TRIM + **REMODEL HOUSING** + **FRAME-IN PLATE**

INSULATED CEILING APPLICATION

DUAL POSITION REMOVABLE HANGER BARS

4 KNOCKOUTS

STOPPER TO SECURE HANGER BARS IN PLACE

NAIL FREE HANGER BARS ADJUSTABLE LENGTH FROM 13 5/8" TO 24"

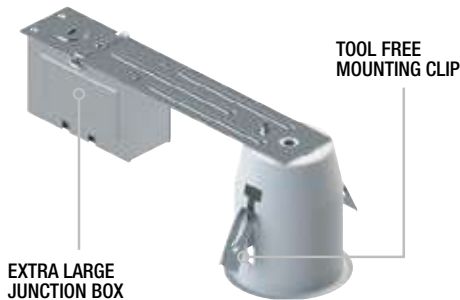
VHG-4I01-00

- For insulated ceilings and direct contact with insulation
- Insulated Ceiling Housing will accommodate 3", 3 1/4" and 4" fixture
- Nail free hanger bars are adjustable from 13 5/8" to 24"
- To be used with all Eurofase 3", 3 1/4", 4" remodel housing
- Cut hole size 3 1/4", 3 1/2", 4 3/8"

RECESSED TRIM + **REMODEL HOUSING** + **INSULATED CEILING HOUSING**

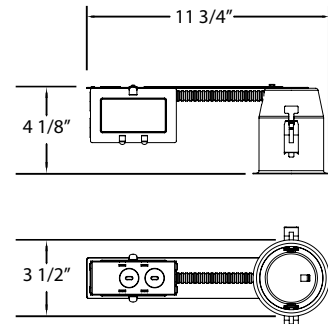
3" RECESSED GU10 HOUSING OPTIONS

GU10 REMODEL HOUSING

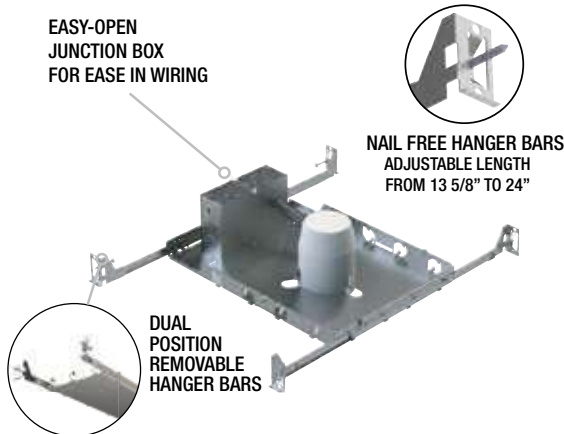


GU3-00

- Housing with thermal protector
- Junction box is listed for through branch circuit wiring and has four 1/2" knockouts with true pry-out slots. Two Romex pry-outs simplify Romex installation
- Two remodeling clips accommodate ceiling thickness up to 3/4"
- For non-insulated ceilings or where insulation must be kept 3" away from housing
- 50W MAX GU10
- 120V
- Cut hole size 3 1/4"

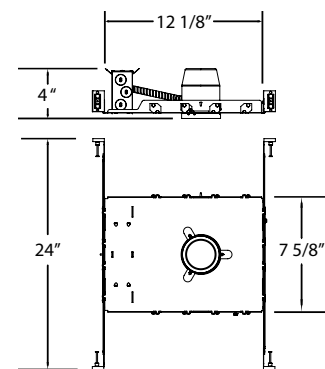


GU10 NEW CONSTRUCTION FRAME-IN HOUSING

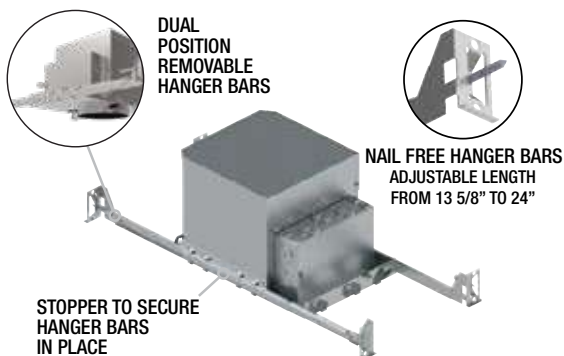


GUC3-00

- Housing with thermal protector
- Nail free hanger bars are adjustable from 13 5/8" to 24"
- Junction box is listed for through branch circuit wiring and has seven 1/2" knockouts with true pry-out slots. Four Romex pry-outs simplify Romex installation
- For non-insulated ceilings or where insulation must be kept 3" away from housing
- 50W MAX GU10
- 120V
- Cut hole size 3 1/4"

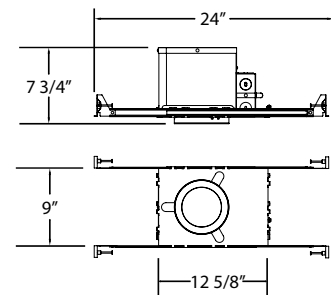


GU10 INSULATED CEILING HOUSING - AIRTIGHT



GUI3-00

- Housing with thermal protector
- For insulated ceilings and direct contact with insulation
- GUI3-00 is Airtight and prevents airflow between the attic and living areas. The Airtight construction limits air exchange between the plenum, heated and air conditioned areas with double wall housing construction
- 50W MAX GU10
- 120V
- Cut hole size 3 1/4"



RECESSED

3 1/4" RECESSED MR16 | GU10



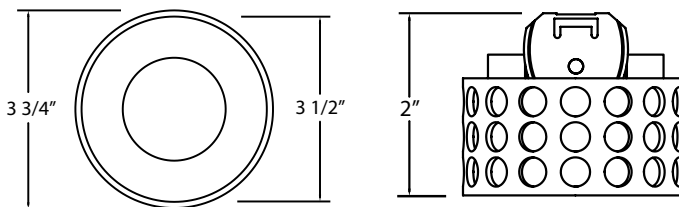
LED *LED COMPATIBLE

3 1/4" RECESSED MR16 | GU10

23937-05 | 3 1/4" CHROME ROUND CAGE WITH HOLE



PRODUCT DIMENSIONS



BULB OPTIONS:			
MR16		GU10	
BULB TYPE:	MR16	BULB TYPE:	GU10
VOLTAGE:	12V	VOLTAGE:	120V
MAX. WATTAGE:	50W	MAX. WATTAGE:	50W

FINISHES

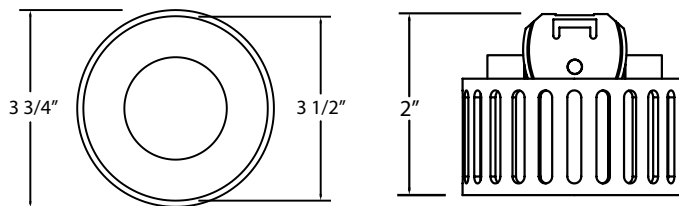


-05 Chrome

23938-05 | 3 1/4" CHROME ROUND CAGE WITH BARS



PRODUCT DIMENSIONS



BULB OPTIONS:			
MR16		GU10	
BULB TYPE:	MR16	BULB TYPE:	GU10
VOLTAGE:	12V	VOLTAGE:	120V
MAX. WATTAGE:	50W	MAX. WATTAGE:	50W

FINISHES



-05 Chrome

HOUSING OPTIONS (SOLD SEPARATELY)

Refer to page 327-328 for housing specification

MR16 REMODEL TERE-325



Cut Hole:
3 1/2"

Dimension:
12"L x 4"W x 4 5/8"H



NEW CONSTRUCTION HOUSING TENC-325B

Cut Hole:
3 1/2"

Dimension:
12 1/8"L x 7 3/4"W x 4 1/2"H



INSULATED CEILING HOUSING TEIN-325

Cut Hole:
3 1/2"

Dimension:
12 5/8"L x 9"W x 7 3/4"H



GU10 REMODEL GU325

Cut Hole:
3 1/2"

Dimension:
12"L x 4"W x 4 5/8"H



NEW CONSTRUCTION HOUSING GUC325

Cut Hole:
3 1/2"

Dimension:
12 1/8"L x 7 3/4"W x 4 1/2"H



INSULATED CEILING HOUSING GUI325

Cut Hole:
3 1/2"

Dimension:
12 5/8"L x 9"W x 7 3/4"H



RECESSED

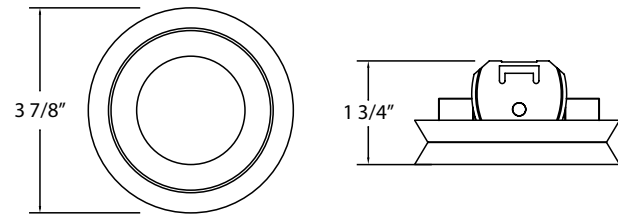
3 1/4" RECESSED MR16 | GU10

LED *LED COMPATIBLE



24799 | 3 1/4" ROUND DOWNLIGHT

PRODUCT DIMENSIONS



BULB OPTIONS:	
MR16	GU10
BULB TYPE: MR16	BULB TYPE: GU10
VOLTAGE: 12V	VOLTAGE: 120V
MAX. WATTAGE: 50W	MAX. WATTAGE: 50W

FINISHES

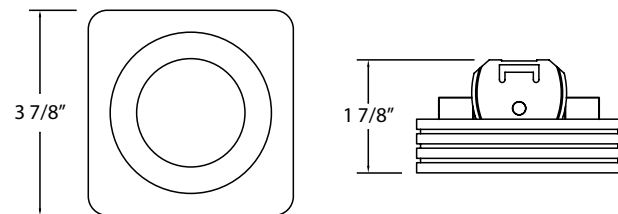


-04 Satin Nickel



24800 | 3 1/4" SQUARE DOWNLIGHT

PRODUCT DIMENSIONS



BULB OPTIONS:	
MR16	GU10
BULB TYPE: MR16	BULB TYPE: GU10
VOLTAGE: 12V	VOLTAGE: 120V
MAX. WATTAGE: 50W	MAX. WATTAGE: 50W

FINISHES



-04 Satin Nickel

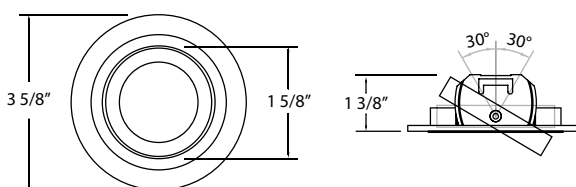


-05 Chrome



22751-10 | 3 1/4" ROUND GIMBAL

PRODUCT DIMENSIONS



BULB OPTIONS:	
MR16	GU10
BULB TYPE: MR16	BULB TYPE: GU10
VOLTAGE: 12V	VOLTAGE: 120V
MAX. WATTAGE: 50W	MAX. WATTAGE: 50W

FINISHES



-10 Aluminum

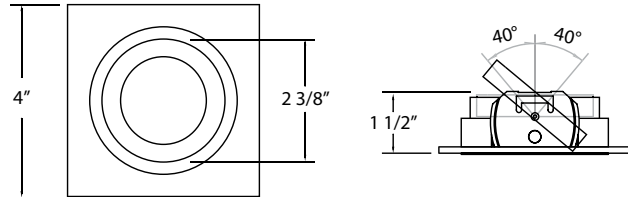
LED *LED COMPATIBLE

3 1/4" RECESSED MR16 | GU10



22748-10 | 3 1/4" RECESSED GIMBAL

PRODUCT DIMENSIONS

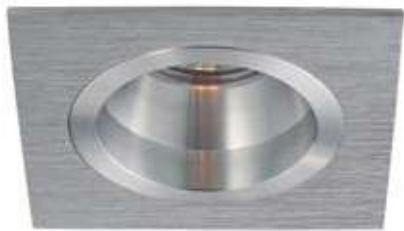


BULB OPTIONS:		BULB OPTIONS:	
MR16		GU10	
BULB TYPE:	MR16	BULB TYPE:	GU10
VOLTAGE:	12V	VOLTAGE:	120V
MAX. WATTAGE:	50W	MAX. WATTAGE:	50W

FINISHES

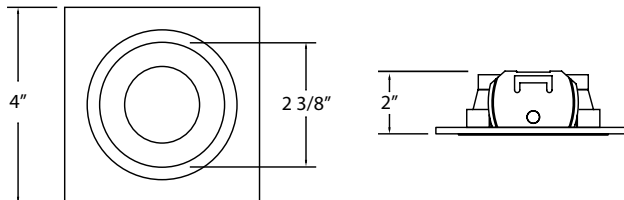


-10 Aluminum



22749-10 | 3 1/4" RECESSED DOWNLIGHT

PRODUCT DIMENSIONS



BULB OPTIONS:		BULB OPTIONS:	
MR16		GU10	
BULB TYPE:	MR16	BULB TYPE:	GU10
VOLTAGE:	12V	VOLTAGE:	120V
MAX. WATTAGE:	50W	MAX. WATTAGE:	50W

FINISHES



-10 Aluminum

HOUSING OPTIONS (SOLD SEPARATELY)

Refer to page 327-328 for housing specification

MR16 REMODEL



Cut Hole:
3 1/2"

Dimension:
12"L x 4"W x 4 5/8"H



NEW CONSTRUCTION HOUSING



Cut Hole:
3 1/2"

Dimension:
12 1/8"L x 7 3/4"W x 4 1/2"H

INSULATED CEILING HOUSING



Cut Hole:
3 1/2"

Dimension:
12 5/8"L x 9"W x 7 3/4"H

GU10 REMODEL



Cut Hole:
3 1/2"

Dimension:
12"L x 4"W x 4 5/8"H

NEW CONSTRUCTION HOUSING



Cut Hole:
3 1/2"

Dimension:
12 1/8"L x 7 3/4"W x 4 1/2"H

INSULATED CEILING HOUSING



Cut Hole:
3 1/2"

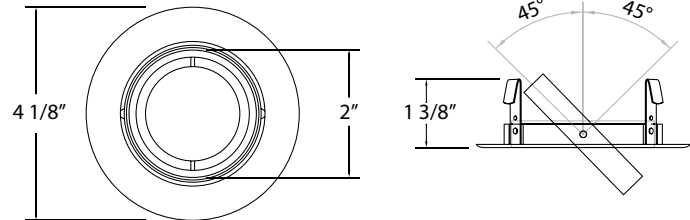
Dimension:
12 5/8"L x 9"W x 7 3/4"H

3 1/4" RECESSED MR16 | GU10



TR-G14 | 3 1/4" GIMBAL

PRODUCT DIMENSIONS



BULB OPTIONS:			
MR16		GU10	
BULB TYPE:	MR16	BULB TYPE:	GU10
VOLTAGE:	12V	VOLTAGE:	120V
MAX. WATTAGE:	50W	MAX. WATTAGE:	50W

FINISHES

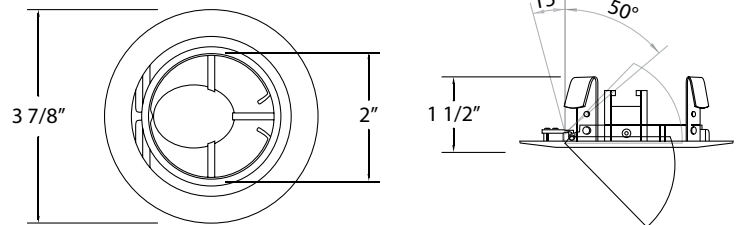


-01 Black -05 Chrome -06 Antique Brass -09 Bronze



TE98 | 3 1/4" RETRACTABLE

PRODUCT DIMENSIONS



BULB OPTIONS:			
MR16		GU10	
BULB TYPE:	MR16	BULB TYPE:	GU10
VOLTAGE:	12V	VOLTAGE:	120V
MAX. WATTAGE:	50W	MAX. WATTAGE:	50W

FINISHES



-01 Black -02 White -03 Gold -05 Chrome



-06 Antique Brass -08 Satin Copper -09 Bronze

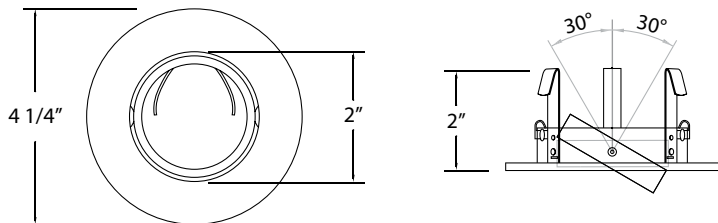
LED *LED COMPATIBLE

3 1/4" RECESSED MR16 | GU10



TR-G02 | 3 1/4" CONVEX GIMBAL

PRODUCT DIMENSIONS



BULB OPTIONS:

MR16

BULB TYPE: MR16
VOLTAGE: 12V
MAX. WATTAGE: 50W

GU10

BULB TYPE: GU10
VOLTAGE: 120V
MAX. WATTAGE: 50W

FINISHES



-01 Black



-04 Satin Nickel



-05 Chrome



-06 Antique Brass



-09 Bronze

HOUSING OPTIONS (SOLD SEPARATELY)

Refer to page 327-328 for housing specification

MR16 REMODEL

TERE-325



MAGNETIC TRANSFORMER



Cut Hole:
3 1/2"

Dimension:
12"L x 4"W x 4 5/8"H

NEW CONSTRUCTION HOUSING

TENC-325B



Cut Hole:
3 1/2"

Dimension:
12 1/8"L x 7 3/4"W x 4 1/2"H

INSULATED CEILING HOUSING

TEIN-325



Cut Hole:
3 1/2"

Dimension:
12 5/8"L x 9"W x 7 3/4"H

GU10 REMODEL

GU325



Cut Hole:
3 1/2"

Dimension:
12"L x 4"W x 4 5/8"H

NEW CONSTRUCTION HOUSING

GUC325



Cut Hole:
3 1/2"

Dimension:
12 1/8"L x 7 3/4"W x 4 1/2"H

INSULATED CEILING HOUSING

GUI325



Cut Hole:
3 1/2"

Dimension:
12 5/8"L x 9"W x 7 3/4"H

RECESSED

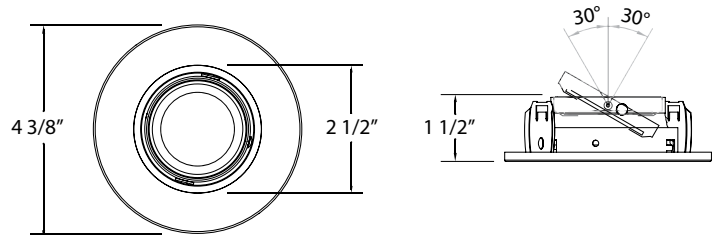
3 1/4" RECESSED MR16 | GU10

LED *LED COMPATIBLE



21778 | 3 1/4" SPECULAR REFLECTOR

PRODUCT DIMENSIONS



BULB OPTIONS:	
MR16	GU10
BULB TYPE: MR16	BULB TYPE: GU10
VOLTAGE: 12V	VOLTAGE: 120V
MAX. WATTAGE: 50W	MAX. WATTAGE: 50W

FINISHES

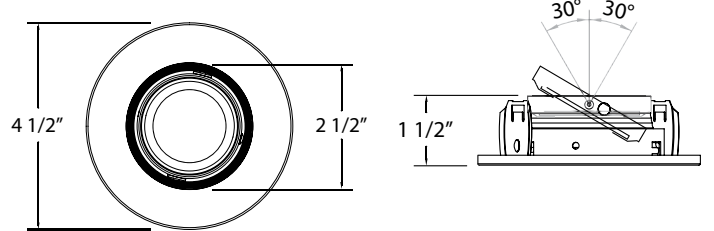


-45 White/Black -49 White/Chrome -115 Chrome/Chrome



21777 | 3 1/4" STEPPED GIMBAL

PRODUCT DIMENSIONS



BULB OPTIONS:	
MR16	GU10
BULB TYPE: MR16	BULB TYPE: GU10
VOLTAGE: 12V	VOLTAGE: 120V
MAX. WATTAGE: 50W	MAX. WATTAGE: 50W

FINISHES



-45 White/Black -89 Satin Nickel/Black

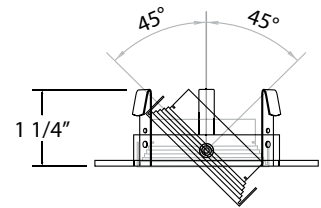
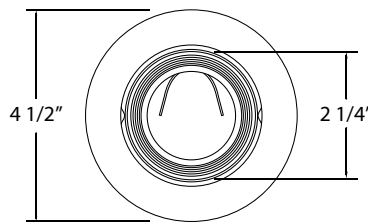
LED *LED COMPATIBLE

3 1/4" RECESSED MR16 | GU10



TR-M07 | 3 1/4" BAFFLED GIMBAL

PRODUCT DIMENSIONS



BULB OPTIONS:

MR16

BULB TYPE: MR16
VOLTAGE: 12V
MAX. WATTAGE: 50W

GU10

BULB TYPE: GU10
VOLTAGE: 120V
MAX. WATTAGE: 50W

FINISHES



-03 Gold



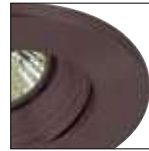
-05 Chrome



-06 Antique Brass



-08 Satin Copper



-09 Bronze

HOUSING OPTIONS (SOLD SEPARATELY)

Refer to page 327-328 for housing specification

MR16 REMODEL



Cut Hole:
3 1/2"

Dimension:
12"L x 4"W x 4 5/8"H

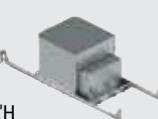
NEW CONSTRUCTION HOUSING



Cut Hole:
3 1/2"

Dimension:
12 1/8"L x 7 3/4"W x 4 1/2"H

INSULATED CEILING HOUSING



Cut Hole:
3 1/2"

Dimension:
12 5/8"L x 9"W x 7 3/4"H

GU10 REMODEL



Cut Hole:
3 1/2"

Dimension:
12"L x 4"W x 4 5/8"H

NEW CONSTRUCTION HOUSING



Cut Hole:
3 1/2"

Dimension:
12 1/8"L x 7 3/4"W x 4 1/2"H

INSULATED CEILING HOUSING



Cut Hole:
3 1/2"

Dimension:
12 5/8"L x 9"W x 7 3/4"H

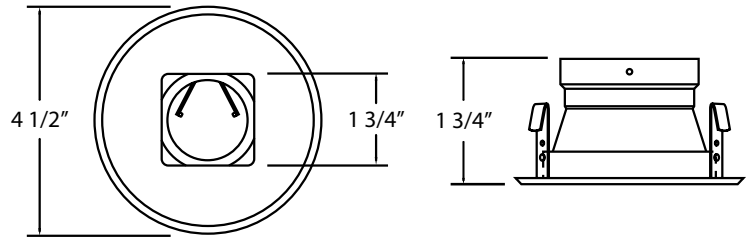
RECESSED

3 1/4" RECESSED MR16 | GU10

LED *LED COMPATIBLE

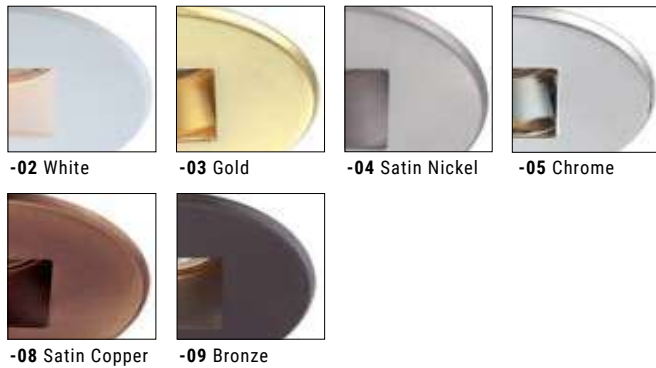
19597 | 3 1/4" ROUND REGRESS

PRODUCT DIMENSIONS



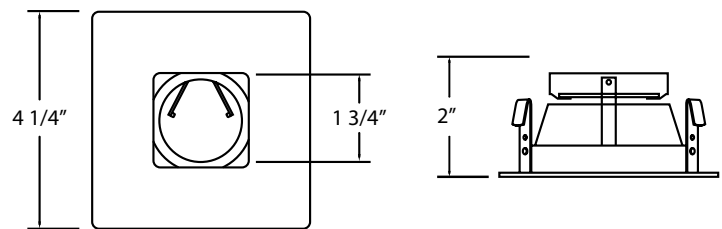
BULB OPTIONS:			
MR16		GU10	
BULB TYPE:	MR16	BULB TYPE:	GU10
VOLTAGE:	12V	VOLTAGE:	120V
MAX. WATTAGE:	50W	MAX. WATTAGE:	50W

FINISHES



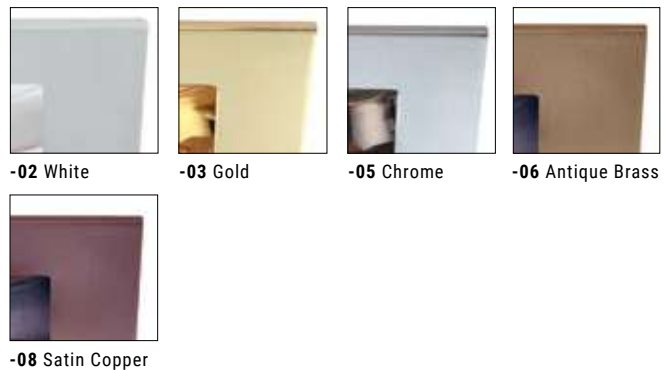
19596 | 3 1/4" SQUARE REGRESS

PRODUCT DIMENSIONS



BULB OPTIONS:			
MR16		GU10	
BULB TYPE:	MR16	BULB TYPE:	GU10
VOLTAGE:	12V	VOLTAGE:	120V
MAX. WATTAGE:	50W	MAX. WATTAGE:	50W

FINISHES



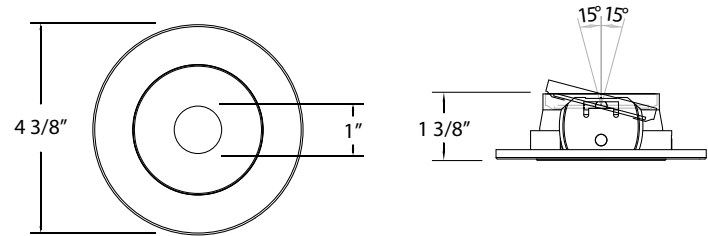
LED *LED COMPATIBLE

3 1/4" RECESSED MR16 | GU10



21779 | 3 1/4" PIN HOLE

PRODUCT DIMENSIONS



BULB OPTIONS:

MR16

BULB TYPE: MR16
VOLTAGE: 12V
MAX. WATTAGE: 50W

GU10

BULB TYPE: GU10
VOLTAGE: 120V
MAX. WATTAGE: 50W

FINISHES



-01 Black



-03 Gold



-04 Satin Nickel



-05 Chrome



-06 Antique Brass



-08 Satin Copper



-09 Bronze

HOUSING OPTIONS (SOLD SEPARATELY)

Refer to page 327-328 for housing specification

MR16 REMODEL TERE-325



Cut Hole:
3 1/2"

Dimension:
12"L x 4"W x 4 5/8"H

NEW CONSTRUCTION HOUSING TENC-325B



Cut Hole:
3 1/2"

Dimension:
12 1/8"L x 7 3/4"W x 4 1/2"H

INSULATED CEILING HOUSING TEIN-325



Cut Hole:
3 1/2"

Dimension:
12 5/8"L x 9"W x 7 3/4"H

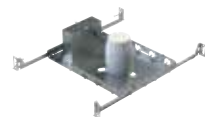
GU10 REMODEL GU325



Cut Hole:
3 1/2"

Dimension:
12"L x 4"W x 4 5/8"H

NEW CONSTRUCTION HOUSING GUC325



Cut Hole:
3 1/2"

Dimension:
12 1/8"L x 7 3/4"W x 4 1/2"H

INSULATED CEILING HOUSING GUI325



Cut Hole:
3 1/2"

Dimension:
12 5/8"L x 9"W x 7 3/4"H



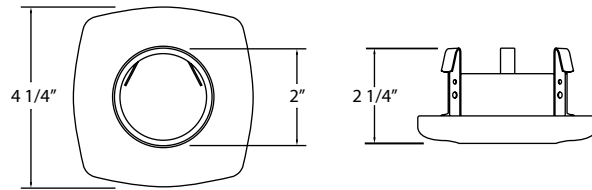
LED *LED COMPATIBLE

3 1/4" RECESSED MR16 | GU10



TR-G15-13 | 3 1/4" ROUNDED SQUARE GLASS

PRODUCT DIMENSIONS



BULB OPTIONS:		BULB OPTIONS:	
MR16		GU10	
BULB TYPE:	MR16	BULB TYPE:	GU10
VOLTAGE:	12V	VOLTAGE:	120V
MAX. WATTAGE:	50W	MAX. WATTAGE:	50W

FINISHES



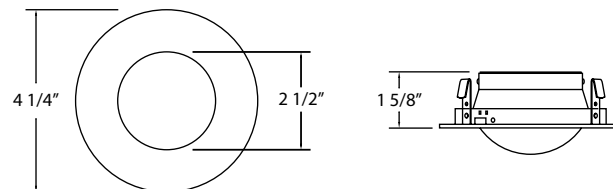
-13 Frost



AIR SEALING GASKET FOR WET ENVIRONMENTS

TE21 | 3 1/4" SHOWER DOME

PRODUCT DIMENSIONS



BULB OPTIONS:		BULB OPTIONS:	
MR16		GU10	
BULB TYPE:	MR16	BULB TYPE:	GU10
VOLTAGE:	12V	VOLTAGE:	120V
MAX. WATTAGE:	50W	MAX. WATTAGE:	50W

FINISHES



-57 White/Frost

HOUSING OPTIONS (SOLD SEPARATELY)

Refer to page 327-328 for housing specification

MR16 REMODEL



Cut Hole:
3 1/2"

Dimension:
12"L x 4"W x 4 5/8"H

NEW CONSTRUCTION HOUSING

TENC-325B



Cut Hole:
3 1/2"

Dimension:
12 1/8"L x 7 3/4"W x 4 1/2"H

INSULATED CEILING HOUSING

TEIN-325



Cut Hole:
3 1/2"

Dimension:
12 5/8"L x 9"W x 7 3/4"H

GU10 REMODEL



Cut Hole:
3 1/2"

Dimension:
12"L x 4"W x 4 5/8"H

NEW CONSTRUCTION HOUSING

GUC325



Cut Hole:
3 1/2"

Dimension:
12 1/8"L x 7 3/4"W x 4 1/2"H

INSULATED CEILING HOUSING

GUI325



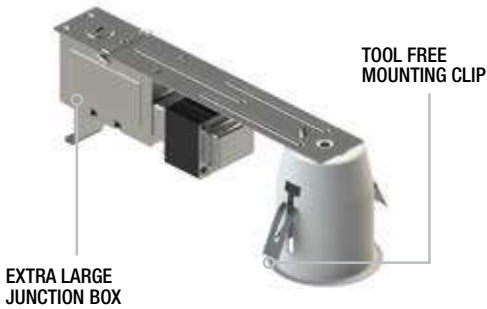
Cut Hole:
3 1/2"

Dimension:
12 5/8"L x 9"W x 7 3/4"H

RECESSED

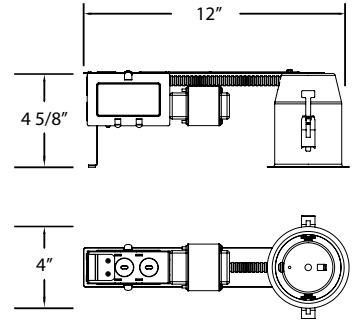
3 1/4" RECESSED MR16 | GU10 HOUSING OPTIONS

MR16 REMODEL HOUSING

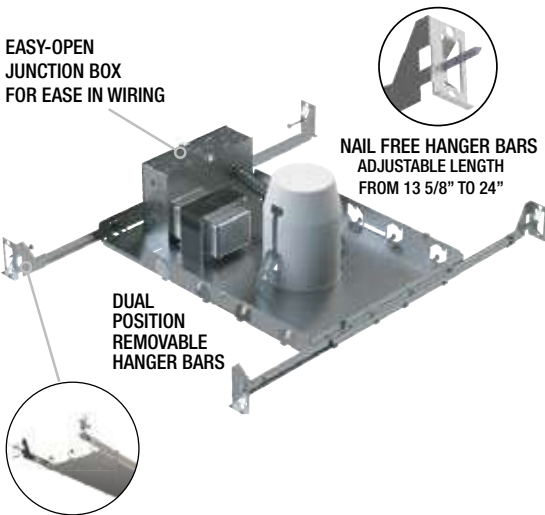


TERE-325

- Housing with thermal protector
- Junction box is listed for through branch circuit wiring and has four 1/2" knockouts with true pry-out slots. Two Romex pry-outs simplify Romex installation
- Two remodeling clips accommodate ceiling thickness up to 3/4"
- For non-insulated ceilings or where insulation must be kept 3" away from housing
- 50W MAX MR16
- Dimmable magnetic transformer 120V
- Cut hole size 3 1/2"

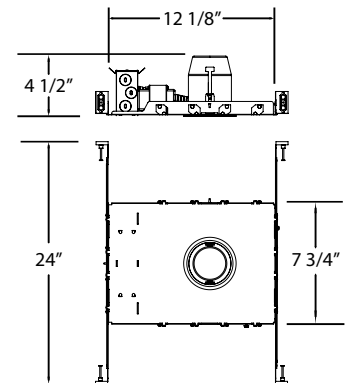


MR16 NEW CONSTRUCTION FRAME-IN HOUSING

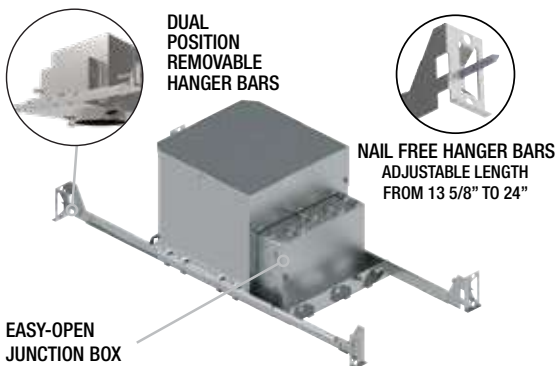


TENC-325B

- Housing with thermal protector
- Nail free hanger bars are adjustable from 13 5/8" to 24"
- Junction box is listed for through branch circuit wiring and has seven 1/2" knockouts with true pry-out slots. Four Romex pry-outs simplify Romex installation
- For non-insulated ceilings or where insulation must be kept 3" away from housing
- 50W MAX MR16
- Dimmable magnetic transformer 120V
- Cut hole size 3 1/2"

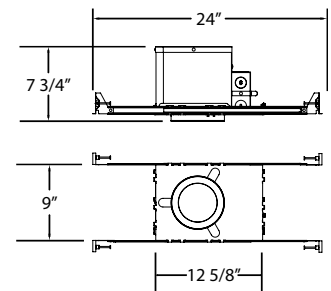


MR16 INSULATED CEILING HOUSING - AIRTIGHT



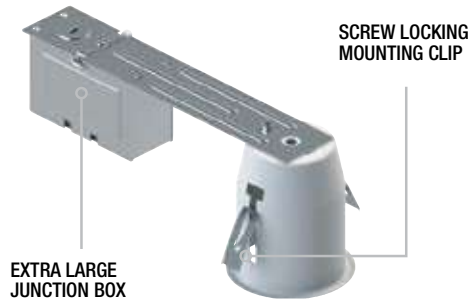
TEIN-325

- Housing with thermal protector
- For insulated ceilings and direct contact with insulation
- TEIN-325 is Airtight and prevents airflow between the attic and living areas. The Airtight construction limits air exchange between the plenum, heated and air conditioned areas with double wall housing construction
- Junction box is listed for through branch circuit wiring and has seven 1/2" knockouts with true pry-out slots. Four Romex pry-outs simplify Romex installation
- 50W MAX MR16
- Dimmable magnetic transformer 120V
- Cut hole size 3 1/2"



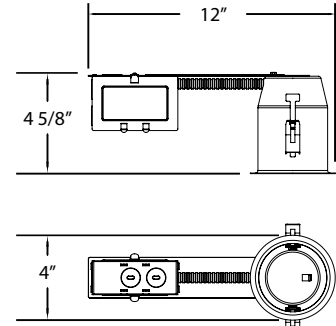
3 1/4" RECESSED MR16 | GU10 HOUSING OPTIONS

GU10 REMODEL HOUSING

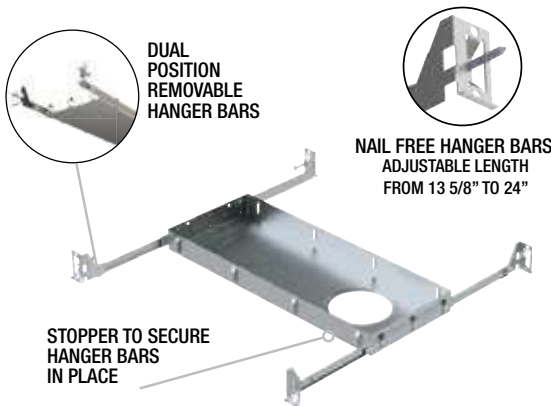


GU325

- Housing with thermal protector
- Junction box is listed for through branch circuit wiring and has four 1/2" knockouts with true pry-out slots. Two Romex pry-outs simplify Romex installation
- Two remodeling clips accommodate ceiling thickness up to 3/4"
- For non-insulated ceilings or where insulation must be kept 3" away from housing
- 50W MAX GU10
- 120V
- Cut hole size 3 1/2"

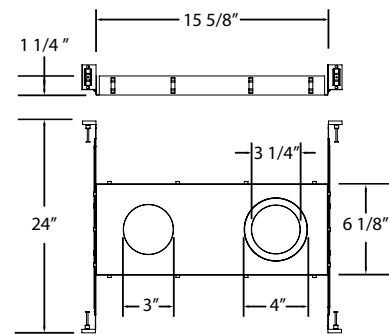
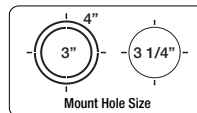


NEW CONSTRUCTION FRAME-IN PLATE

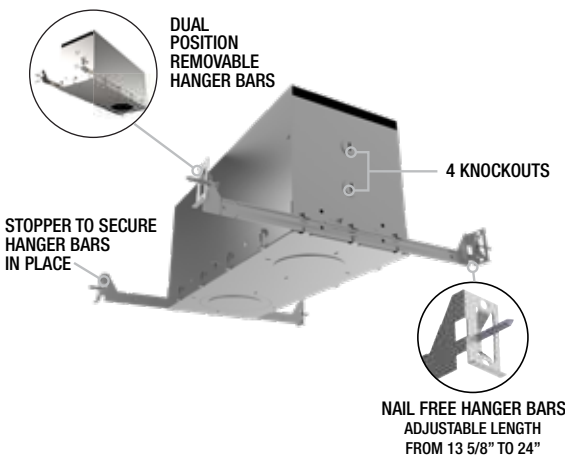


VHG-4N01-00

- New Construction Frame-In Plate will accommodate 3", 3 1/4" and 4" fixture
- Nail free hanger bars are adjustable from 13 5/8" to 24"
- For non-insulated ceilings or where insulation must be kept 3" away from housing
- Cut hole size 3 1/4", 3 1/2", 4 3/8"

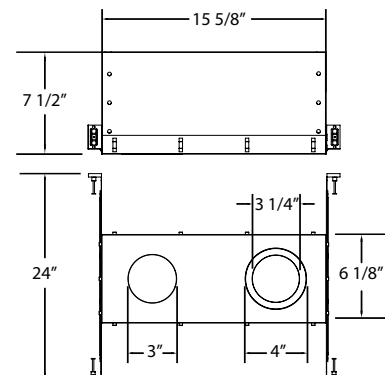
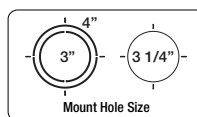


INSULATED CEILING APPLICATION



VHG-4I01-00

- For insulated ceilings and direct contact with insulation
- Insulated Ceiling Housing will accommodate 3", 3 1/4" and 4" fixture
- Nail free hanger bars are adjustable from 13 5/8" to 24"
- To be used with all Eurofase 3", 3 1/4", 4" remodel housing
- Cut hole size 3 1/4", 3 1/2", 4 3/8"



RECESSED

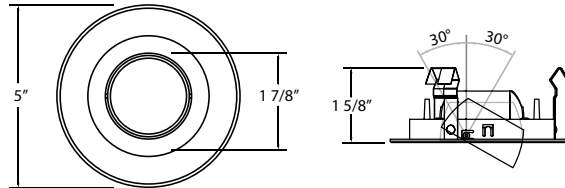
4" RECESSED MR16 | GU10

LED *LED COMPATIBLE

19158 | 4" SIDE PIVOT



PRODUCT DIMENSIONS



BULB OPTIONS:	
MR16	GU10
BULB TYPE: MR16	BULB TYPE: GU10
VOLTAGE: 12V	VOLTAGE: 120V
MAX. WATTAGE: 50W	MAX. WATTAGE: 50W

FINISHES



-01 Black



-02 White



-04 Satin Nickel



-05 Chrome

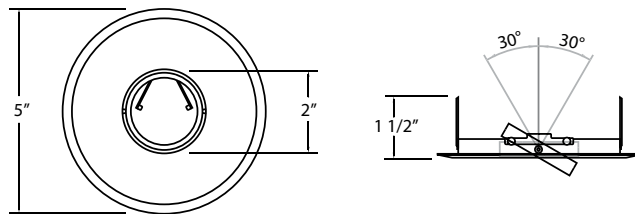


-08 Satin Copper

14486 | 4" GIMBAL MINIMALIST



PRODUCT DIMENSIONS



BULB OPTIONS:	
MR16	GU10
BULB TYPE: MR16	BULB TYPE: GU10
VOLTAGE: 12V	VOLTAGE: 120V
MAX. WATTAGE: 50W	MAX. WATTAGE: 50W

FINISHES



-01 Black



-02 White



-03 Gold



-09 Bronze



-08 Satin Copper

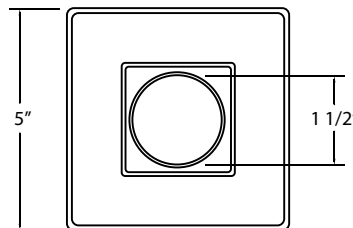
LED *LED COMPATIBLE

4" RECESSED MR16 | GU10



19162 | 4" SQUARE GIMBAL

PRODUCT DIMENSIONS



BULB OPTIONS:	
MR16	GU10
BULB TYPE: MR16	BULB TYPE: GU10
VOLTAGE: 12V	VOLTAGE: 120V
MAX. WATTAGE: 50W	MAX. WATTAGE: 50W

FINISHES



-02 White



-03 Gold



-06 Antique Brass



-08 Satin Copper

HOUSING OPTIONS (SOLD SEPARATELY)

Refer to page 337-340 for housing specification

MR16 REMODEL RH04



Cut Hole:
4 3/8"

Dimension:
12 1/2"L x 4 7/8"W x 4 3/8"H

NEW CONSTRUCTION HOUSING NC04-B



Cut Hole:
4 3/8"

Dimension:
12 1/8"L x 7 3/4"W x 4 3/8"H

INSULATED CEILING HOUSING IC04



Cut Hole:
4 3/8"

Dimension:
12 5/8"L x 9"W x 7 3/4"H

GU10 REMODEL GU4-00



Cut Hole:
4 3/8"

Dimension:
12 1/2"L x 4 7/8"W x 4 3/8"H

NEW CONSTRUCTION HOUSING GUC4-00



Cut Hole:
4 3/8"

Dimension:
12 1/8"L x 7 3/4"W x 4 3/8"H

INSULATED CEILING HOUSING GUI4-00



Cut Hole:
4 3/8"

Dimension:
12 5/8"L x 9"W x 7 3/4"H



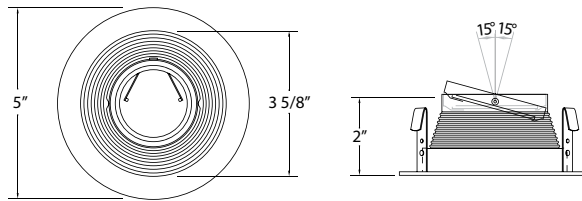
LED *LED COMPATIBLE

4" RECESSED MR16 | GU10

R010 | 4" STEPPED BAFFLE

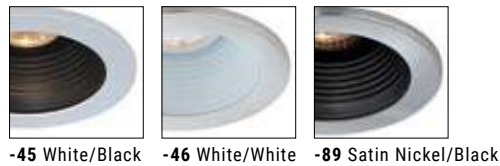


PRODUCT DIMENSIONS



BULB OPTIONS:	
MR16	GU10
BULB TYPE: MR16	BULB TYPE: GU10
VOLTAGE: 12V	VOLTAGE: 120V
MAX. WATTAGE: 50W	MAX. WATTAGE: 50W

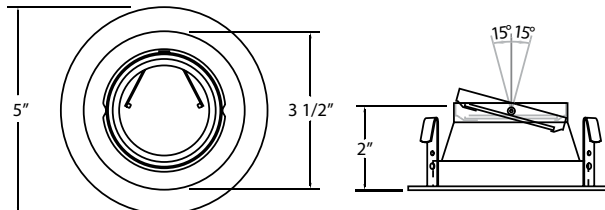
FINISHES



R011 | 4" SPECULAR REFLECTOR



PRODUCT DIMENSIONS



BULB OPTIONS:	
MR16	GU10
BULB TYPE: MR16	BULB TYPE: GU10
VOLTAGE: 12V	VOLTAGE: 120V
MAX. WATTAGE: 50W	MAX. WATTAGE: 50W

FINISHES



HOUSING OPTIONS (SOLD SEPARATELY) Refer to page 337-340 for housing specification			
MR16 REMODEL RH04 Cut Hole: 4 3/8" Dimension: 12 1/2"L x 4 7/8"W x 4 3/8"H	 MAGNETIC TRANSFORMER	NEW CONSTRUCTION HOUSING NC04-B Cut Hole: 4 3/8" Dimension: 12 1/8"L x 7 3/4"W x 4 3/8"H	INSULATED CEILING HOUSING IC04 Cut Hole: 4 3/8" Dimension: 12 5/8"L x 9"W x 7 3/4"H
	GU10 REMODEL GU4-00 Cut Hole: 4 3/8" Dimension: 12 1/2"L x 4 7/8"W x 4 3/8"H	NEW CONSTRUCTION HOUSING GUC4-00 Cut Hole: 4 3/8" Dimension: 12 1/8"L x 7 3/4"W x 4 3/8"H	INSULATED CEILING HOUSING GUI4-00 Cut Hole: 4 3/8" Dimension: 12 5/8"L x 9"W x 7 3/4"H

RECESSED

4" RECESSED MR16 | GU10

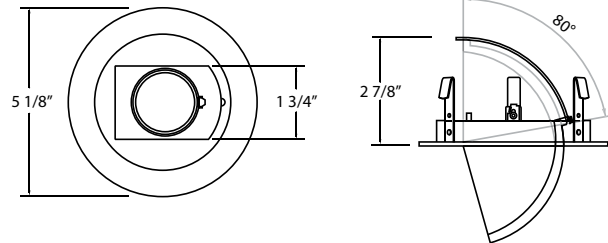
LED *LED COMPATIBLE



BULB OPTIONS:	
MR16	
BULB TYPE:	MR16
VOLTAGE:	12V
MAX. WATTAGE:	50W

R014 | 4" RETRACTABLE ELBOW

PRODUCT DIMENSIONS



FINISHES



-01 Black



-02 White



-04 Satin Nickel



-08 Satin Copper



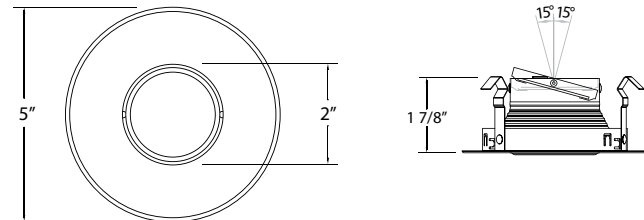
-09 Bronze



BULB OPTIONS:			
MR16	GU10		
BULB TYPE:	MR16	BULB TYPE:	GU10
VOLTAGE:	12V	VOLTAGE:	120V
MAX. WATTAGE:	50W	MAX. WATTAGE:	50W

19159 | 4" PIN HOLE

PRODUCT DIMENSIONS



FINISHES



-03 Gold



-04 Satin Nickel



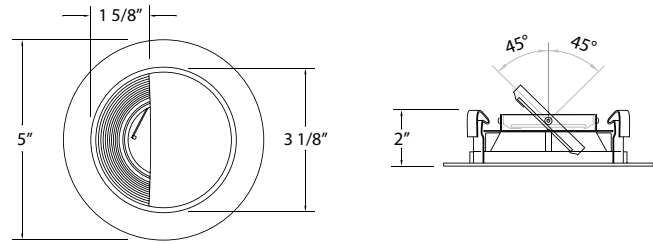
-05 Chrome

LED *LED COMPATIBLE

4" RECESSED MR16 | GU10

R009 | 4" WALL WASHER

PRODUCT DIMENSIONS



BULB OPTIONS:		BULB OPTIONS:	
MR16		GU10	
BULB TYPE:	MR16	BULB TYPE:	GU10
VOLTAGE:	12V	VOLTAGE:	120V
MAX. WATTAGE:	50W	MAX. WATTAGE:	50W

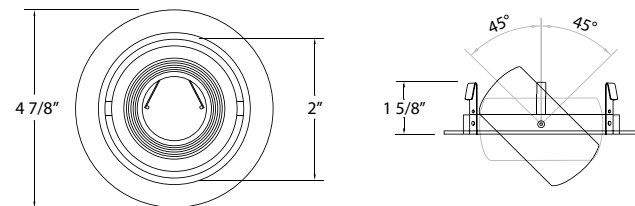
FINISHES



-45 White/Black -89 Satin Nickel/Black

R013 | 4" EYEBALL

PRODUCT DIMENSIONS



BULB OPTIONS:		BULB OPTIONS:	
MR16		GU10	
BULB TYPE:	MR16	BULB TYPE:	GU10
VOLTAGE:	12V	VOLTAGE:	120V
MAX. WATTAGE:	50W	MAX. WATTAGE:	50W

FINISHES



-02 White -03 Gold -04 Satin Nickel

HOUSING OPTIONS (SOLD SEPARATELY)

Refer to page 337-340 for housing specification

MR16

REMODEL
RH04



MAGNETIC
TRANSFORMER



Cut Hole:
4 3/8"

Dimension:
12 1/2"L x 4 7/8"W x 4 3/8"H

NEW CONSTRUCTION HOUSING

NC04-B

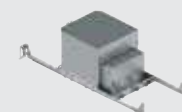


Cut Hole:
4 3/8"

Dimension:
12 1/8"L x 7 3/4"W x 4 3/8"H

INSULATED CEILING HOUSING

IC04



Cut Hole:
4 3/8"

Dimension:
12 5/8"L x 9"W x 7 3/4"H

GU10

REMODEL
GU4-00



Cut Hole:
4 3/8"

Dimension:
12 1/2"L x 4 7/8"W x 4 3/8"H

NEW CONSTRUCTION HOUSING

GUC4-00



Cut Hole:
4 3/8"

Dimension:
12 1/8"L x 7 3/4"W x 4 3/8"H

INSULATED CEILING HOUSING

GUI4-00



Cut Hole:
4 3/8"

Dimension:
12 5/8"L x 9"W x 7 3/4"H

RECESSED

4" RECESSED MR16 | GU10

LED *LED COMPATIBLE



BULB OPTIONS:		BULB OPTIONS:	
MR16		GU10	
BULB TYPE:	MR16	BULB TYPE:	GU10
VOLTAGE:	12V	VOLTAGE:	120V
MAX. WATTAGE:	50W	MAX. WATTAGE:	50W



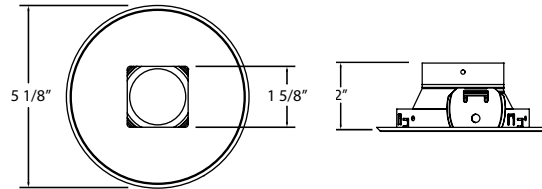
BULB OPTIONS:		BULB OPTIONS:	
MR16		GU10	
BULB TYPE:	MR16	BULB TYPE:	GU10
VOLTAGE:	12V	VOLTAGE:	120V
MAX. WATTAGE:	50W	MAX. WATTAGE:	50W



BULB OPTIONS:		BULB OPTIONS:	
MR16		GU10	
BULB TYPE:	MR16	BULB TYPE:	GU10
VOLTAGE:	12V	VOLTAGE:	120V
MAX. WATTAGE:	50W	MAX. WATTAGE:	50W

23336 | 4" ROUND REGRESS

PRODUCT DIMENSIONS



FINISHES



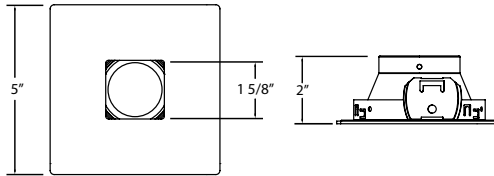
-02 White -03 Gold -04 Satin Nickel -05 Chrome



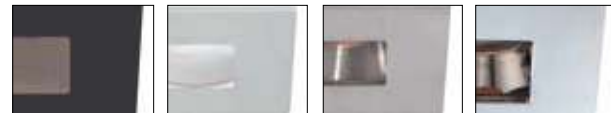
-06 Antique Brass -08 Satin Copper -09 Bronze

23337 | 4" SQUARE REGRESS

PRODUCT DIMENSIONS



FINISHES



-01 Black -02 White -04 Satin Nickel -05 Chrome



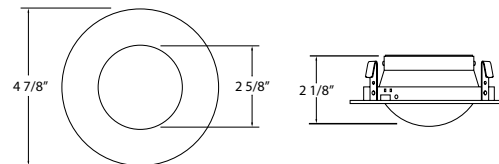
-08 Satin Copper



AIR SEALING GASKET FOR WET ENVIRONMENTS

TR-A401 | 4" SHOWER DOME

PRODUCT DIMENSIONS



FINISHES



-57 White/Frost -101 Satin Nickel/Frost

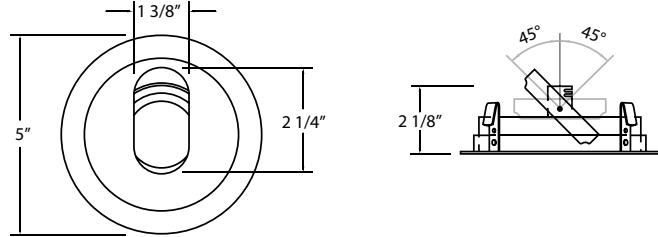
LED *LED COMPATIBLE

4" RECESSED MR16 | GU10



R012 | 4" SLOT APERTURE

PRODUCT DIMENSIONS



BULB OPTIONS:	
MR16	GU10
BULB TYPE: MR16	BULB TYPE: GU10
VOLTAGE: 12V	VOLTAGE: 120V
MAX. WATTAGE: 50W	MAX. WATTAGE: 50W

FINISHES

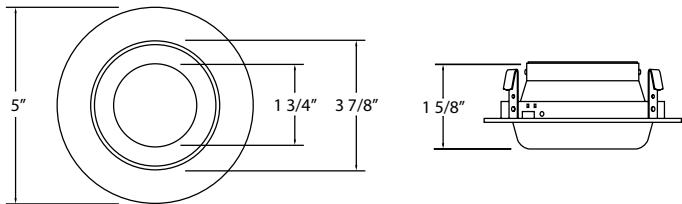


-02 White



19161-57 | 4" ROUND FROSTED GLASS

PRODUCT DIMENSIONS









BULB OPTIONS:	
MR16	GU10
BULB TYPE: MR16	BULB TYPE: GU10
VOLTAGE: 12V	VOLTAGE: 120V
MAX. WATTAGE: 50W	MAX. WATTAGE: 50W

FINISHES



-57 White/Frost

HOUSING OPTIONS (SOLD SEPARATELY) Refer to page 337-340 for housing specification

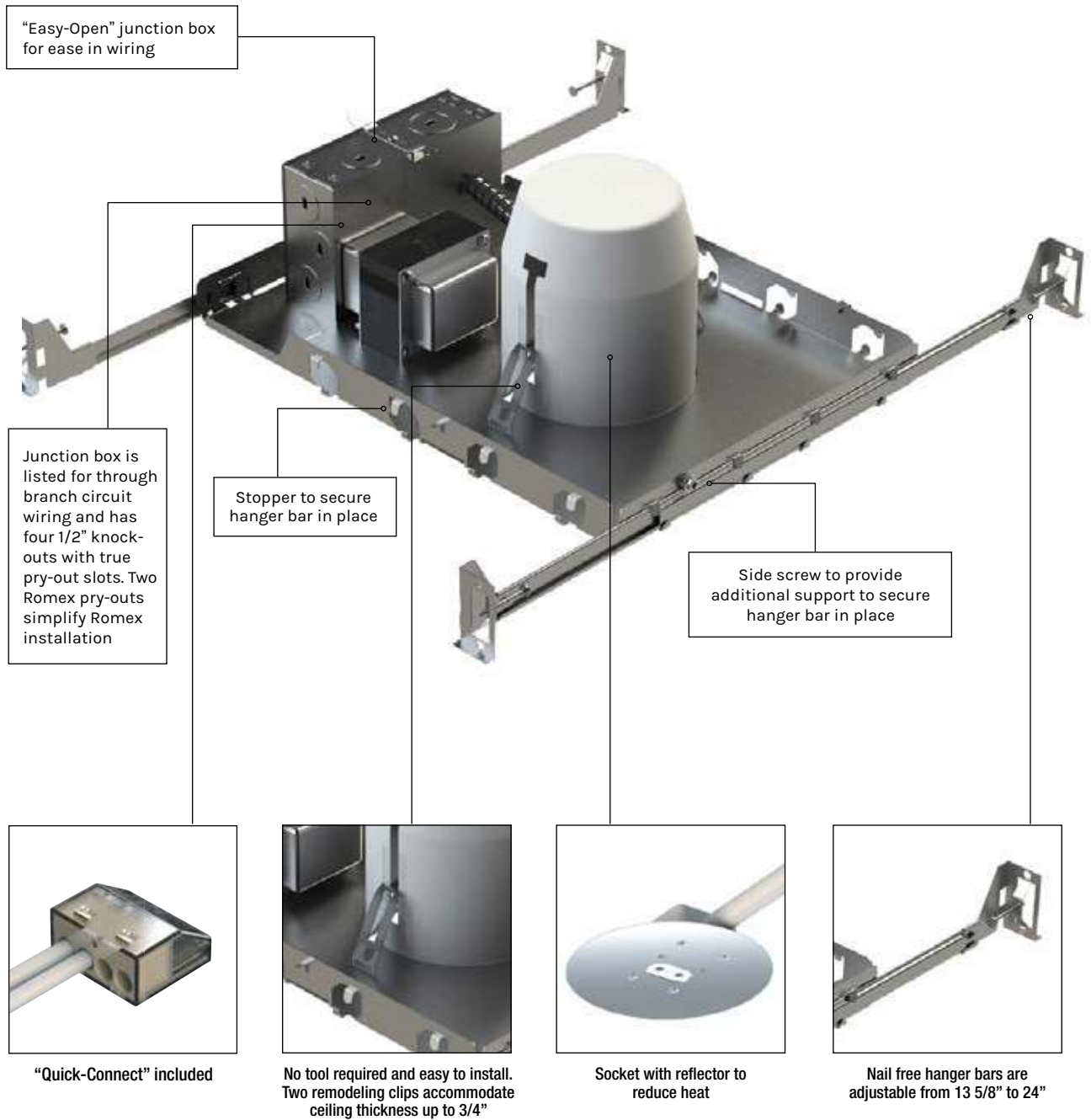
<p>MR16 REMODEL RH04</p>  <p>Cut Hole: 4 3/8"</p> <p>Dimension: 12 1/2"L x 4 7/8"W x 4 3/8"H</p>	<p>MAGNETIC TRANSFORMER</p> <p>NEW CONSTRUCTION HOUSING NC04-B</p>  <p>Cut Hole: 4 3/8"</p> <p>Dimension: 12 1/8"L x 7 3/4"W x 4 3/8"H</p>	<p>INSULATED CEILING HOUSING IC04</p>  <p>Cut Hole: 4 3/8"</p> <p>Dimension: 12 5/8"L x 9"W x 7 3/4"H</p>
<p>GU10 REMODEL GU4-00</p>  <p>Cut Hole: 4 3/8"</p> <p>Dimension: 12 1/2"L x 4 7/8"W x 4 3/8"H</p>	<p>NEW CONSTRUCTION HOUSING GUC4-00</p>  <p>Cut Hole: 4 3/8"</p> <p>Dimension: 12 1/8"L x 7 3/4"W x 4 3/8"H</p>	<p>INSULATED CEILING HOUSING GU4-00</p>  <p>Cut Hole: 4 3/8"</p> <p>Dimension: 12 5/8"L x 9"W x 7 3/4"H</p>

RECESSED

4" RECESSED MR16 | GU10 HOUSING OPTIONS

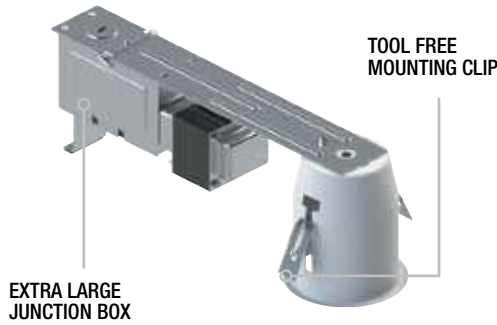
MR16 NEW CONSTRUCTION FRAME-IN PLATE

For non-insulated ceilings or where insulation must be kept 3" away from housing



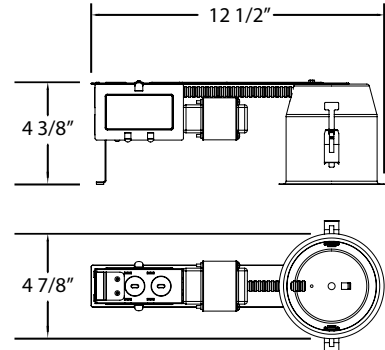
4" RECESSED MR16 | GU10 HOUSING OPTIONS

MR16 REMODEL HOUSING

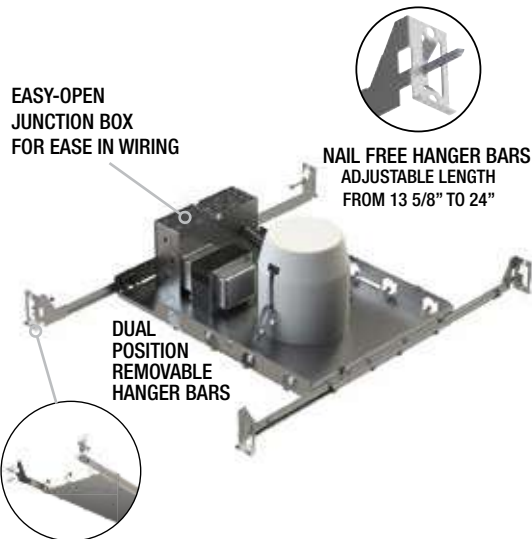


GU325

- Housing with thermal protector
- Junction box is listed for through branch circuit wiring and has four 1/2" knockouts with true pry-out slots. Two Romex pry-outs simplify Romex installation
- Two remodeling clips accommodate ceiling thickness up to 3/4"
- For non-insulated ceilings or where insulation must be kept 3" away from housing
- 50W MAX MR16
- Dimmable magnetic transformer 120V
- Cut hole size 4 3/8"

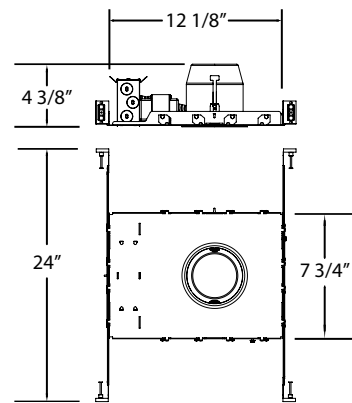


MR16 NEW CONSTRUCTION FRAME-IN HOUSING

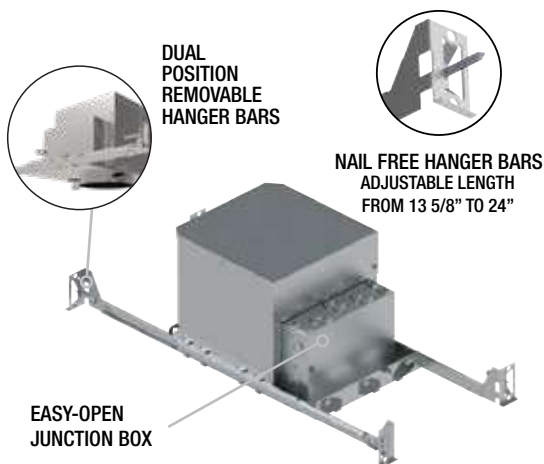


NC04-B

- Housing with thermal protector
- Nail free hanger bars are adjustable from 13 5/8" to 24"
- Junction box is listed for through branch circuit wiring and has seven 1/2" knockouts with true pry-out slots. Four Romex pry-outs simplify Romex installation
- For non-insulated ceilings or where insulation must be kept 3" away from housing
- 50W MAX MR16
- Dimmable magnetic transformer 120V
- Cut hole size 4 3/8"

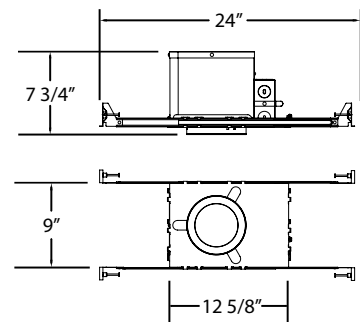


MR16 INSULATED CEILING APPLICATION



IC04

- Housing with thermal protector
- For insulated ceilings and direct contact with insulation
- IC04 is Airtight and prevents airflow between the attic and living areas. The Airtight construction limits air exchange between the plenum, heated and air conditioned areas with double wall housing construction
- Nail free hanger bars are adjustable from 13 5/8" to 24"
- Junction box is listed for through branch circuit wiring and has seven 1/2" knockouts with true pry-out slots. Four Romex pry-outs simplify Romex installation
- 50W MAX MR16
- Dimmable magnetic transformer 120V
- Cut hole size 4 3/8"

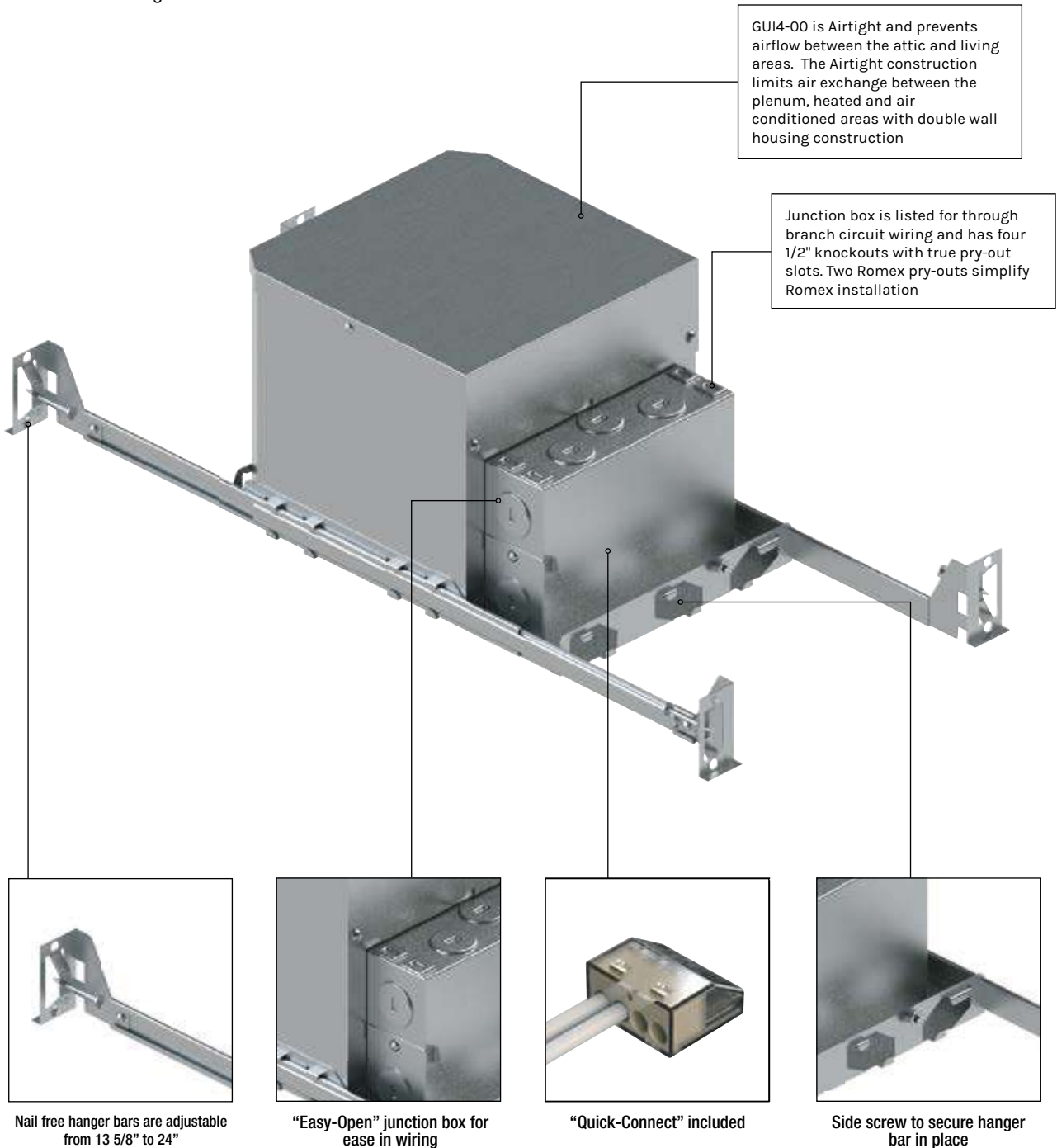


RECESSED

4" RECESSED MR16 | GU10 HOUSING OPTIONS

GU10 INSULATED CEILING APPLICATION

For insulated ceilings and direct contact with insulation



GUI4-00 is Airtight and prevents airflow between the attic and living areas. The Airtight construction limits air exchange between the plenum, heated and air conditioned areas with double wall housing construction

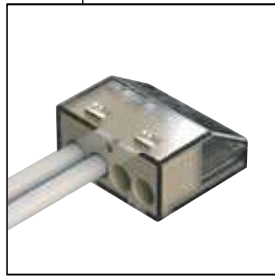
Junction box is listed for through branch circuit wiring and has four 1/2" knockouts with true pry-out slots. Two Romex pry-outs simplify Romex installation



Nail free hanger bars are adjustable from 13 5/8" to 24"



"Easy-Open" junction box for ease in wiring



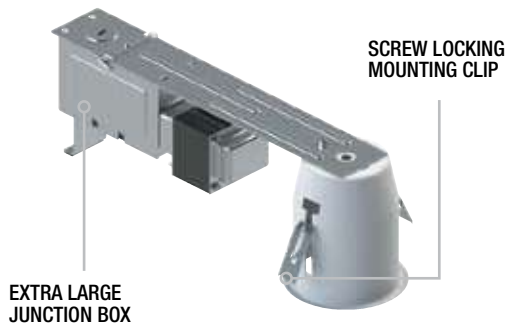
"Quick-Connect" included



Side screw to secure hanger bar in place

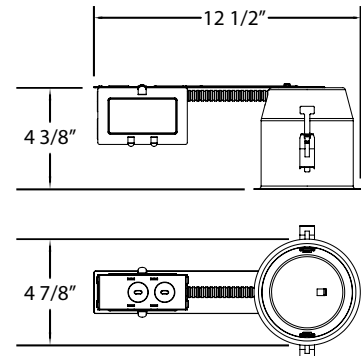
4" RECESSED MR16 | GU10 HOUSING OPTIONS

GU10 REMODEL HOUSING

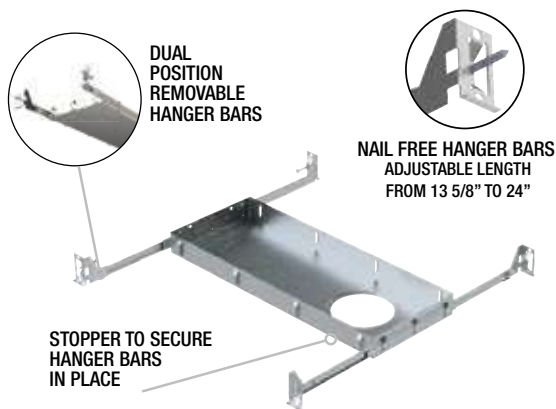


GU4-00

- Housing with thermal protector
- Junction box is listed for through branch circuit wiring and has four 1/2" knockouts with true pry-out slots. Two Romex pry-outs simplify Romex installation
- Two remodeling clips accommodate ceiling thickness up to 3/4"
- For non-insulated ceilings or where insulation must be kept 3" away from housing
- 50W MAX GU10
- 120V
- Cut hole size 4 3/8"

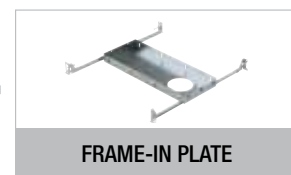
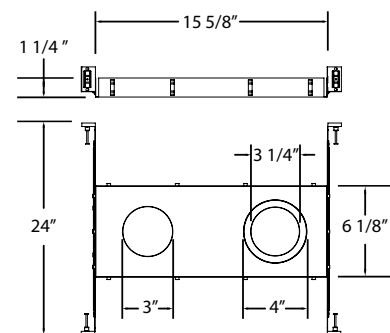
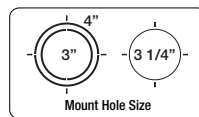


NEW CONSTRUCTION FRAME-IN PLATE

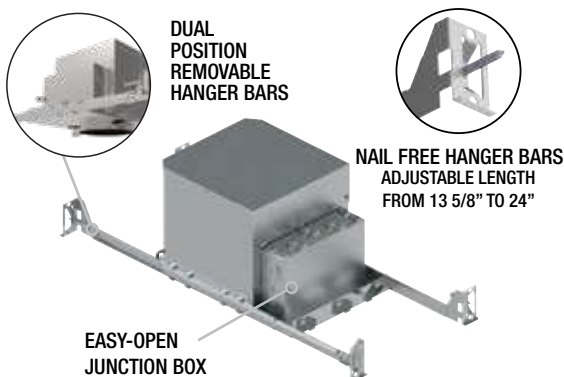


VHG-4N01-00

- New Construction Frame-In Plate will accommodate 3", 3 1/4" and 4" fixture
- Nail free hanger bars are adjustable from 13 5/8" to 24"
- For non-insulated ceilings or where insulation must be kept 3" away from housing
- Cut hole size 3 1/4", 3 1/2", 4 3/8"

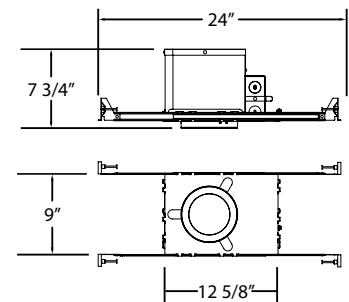


GU10 INSULATED CEILING HOUSING - AIRTIGHT



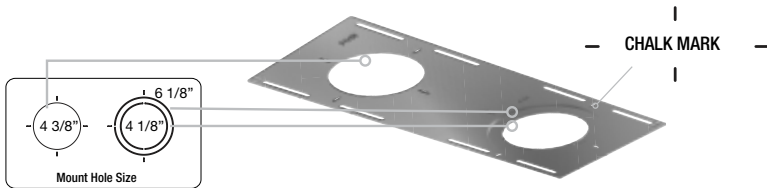
GUI4-00

- Housing with thermal protector
- For insulated ceilings and direct contact with insulation
- GUI4-00 is Airtight and prevents airflow between the attic and living areas. The Airtight construction limits air exchange between the plenum, heated and air conditioned areas with double wall housing construction
- 50W MAX GU10
- 120V
- Cut hole size 4 3/8"



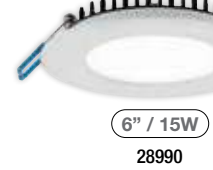
ACCESSORIES

3 IN 1 SMASH PLATE FOR ULTRA SLIM LED RECESSED (P000)

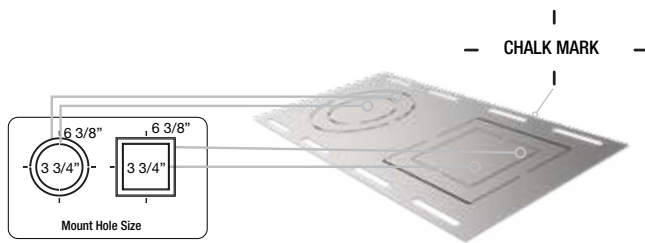


31278-010

- New Construction Smash Plate will accommodate Eurofase Ultra Slim LED Recessed (pg00)
- Cut hole size 4 1/8", 4 3/8" and 6 1/8"



4 IN 1 SMASH PLATE FOR DOMED LED RECESSED (P000)

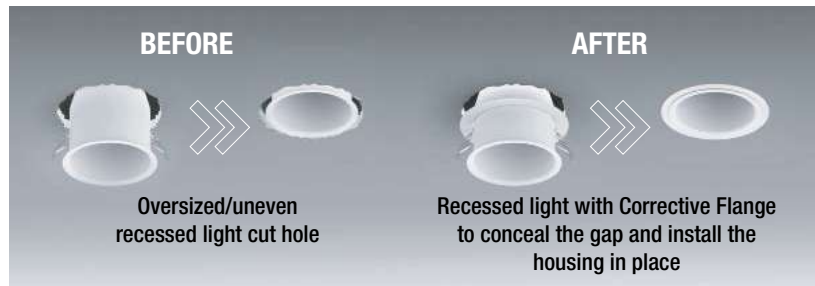
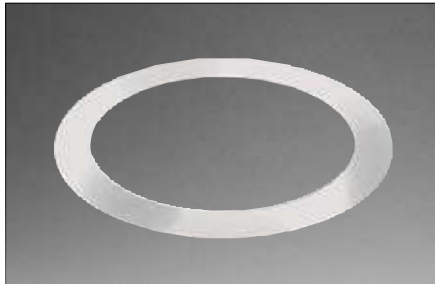


32553-017

- New Construction Smash Plate will accommodate Eurofase Domed LED Recessed (pg00)
- Cut hole size 3 3/4" and 6 3/8" Round and Square



CORRECTIVE FLANGE



12997-015 | 3" CORRECTIVE FLANGE

For use with Eurofase recessed housings and trims, 3" small aperture series.

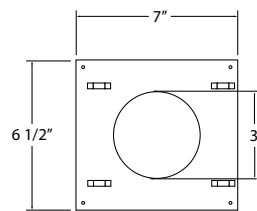
15024-015 | 3 1/4" CORRECTIVE FLANGE

For use with Eurofase recessed housings and trims, 3 1/4" small aperture series.

12998-012 | 4" CORRECTIVE FLANGE

For use with Eurofase recessed housings and trims, 4" small aperture series.

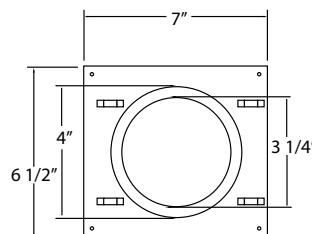
SMASH PLATE 3", 12-PACK



21948-018

For use with recessed housings and trims, 3" small aperture series.

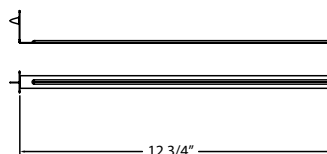
SMASH PLATE 3 1/4" and 4", 12-PACK



24119-016

For use with recessed housings and trims, 3 1/4" and 4" aperture series

HANGER BARS FOR SMASH PLATE



22277-015

For use with 21948-018 and 24119-016 smash plate.

ACCESSORIES

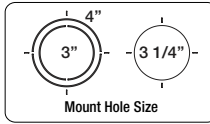
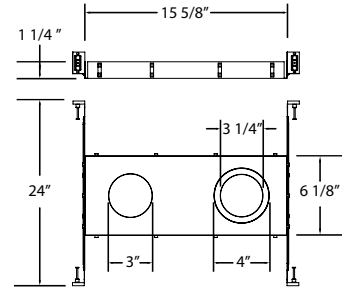
NEW CONSTRUCTION APPLICATION

To be used with all Eurofase 3", 3 1/4", 4" remodel housing.



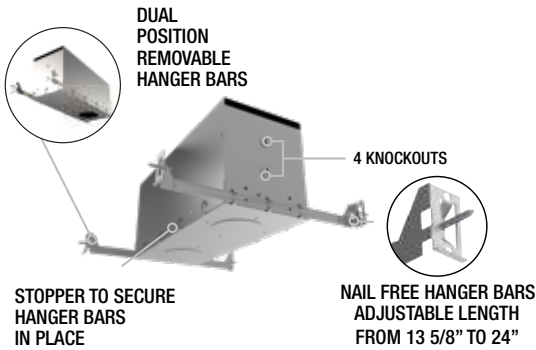
VHG-4N01-00

- New Construction Frame-In Plate will accommodate 3", 3 1/4" and 4" fixture
- Nail free hanger bars are adjustable from 13 5/8" to 24"
- For non-insulated ceilings or where insulation must be kept 3" away from housing
- Cut hole size 3 1/4", 3 1/2", 4 3/8"



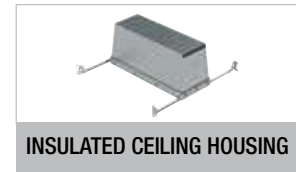
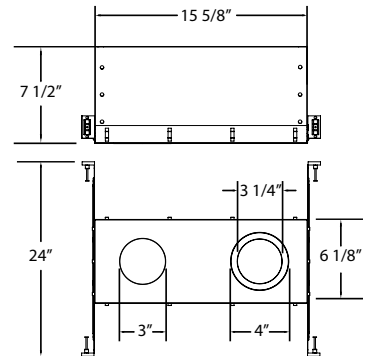
INSULATED CEILING APPLICATION

To be used with all Eurofase 3", 3 1/4", 4" remodel housing.



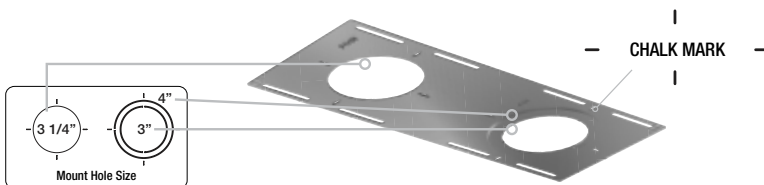
VHG-4I01-00

- For insulated ceilings and direct contact with insulation
- Insulated Ceiling Housing will accommodate 3", 3 1/4" and 4" fixture
- Nail free hanger bars are adjustable from 13 5/8" to 24"
- To be used with all Eurofase 3", 3 1/4", 4" remodel housing
- Cut hole size 3 1/4", 3 1/2", 4 3/8"



3 IN 1 SMASH PLATE

To be used with standard Eurofase 3", 3 1/4", 4" remodel housing.



20033-019

- New Construction Smash Plate will accommodate 3", 3 1/4" and 4" fixture
- For non-insulated ceilings or where insulation must be kept 3" away from housing
- Cut hole size 3 1/4", 3 1/2" and 4 3/8"



TRACK LIGHTING



MODULAR TRACK



35455 30W LED TRACK HEAD

WATTS	LUMENS	KELVIN	DIMMABLE	CRI	BEAM ANGLE	VERTICAL ROTATION	HORIZONTAL ROTATION
30W	2670LM	3000K/3500K	TRIAC	90+	30°	90°	350°

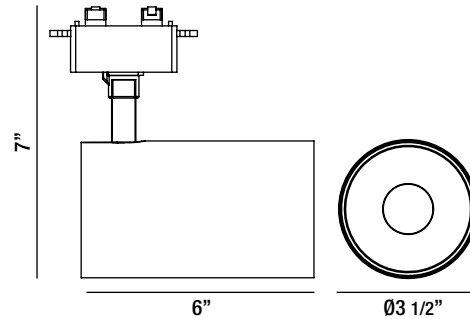
LED

- Constructed of die cast aluminum
- Powder coated finish, available in black and white finish
- Adjustable direction suits different application requirements
- Eurofase track fixtures are compatible with most brands configured to Halo track system design

FINISHES



-01 Black -02 White



ORDERING GUIDE

MODEL	KELVIN	FINISH
35455	-30 3000K	-01 Black
	-35 3500K	-02 White

EXAMPLE: 35455-30-01



35456 15W LED TRACK HEAD

WATTS	LUMENS	KELVIN	DIMMABLE	CRI	BEAM ANGLE	VERTICAL ROTATION	HORIZONTAL ROTATION
15W	1380LM	3000K/3500K	TRIAC	90+	30°	90°	350°

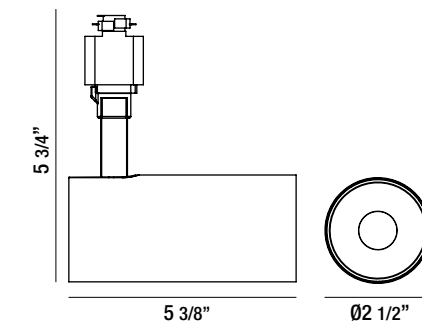
LED

- Constructed of die cast aluminum
- Powder coated finish, available in black and white finish
- Adjustable direction suits different application requirements
- Eurofase track fixtures are compatible with most brands configured to Halo track system design

FINISHES



-01 Black -02 White



ORDERING GUIDE

MODEL	KELVIN	FINISH
35456	-30 3000K	-01 Black
	-35 3500K	-02 White

EXAMPLE: 35456-30-01

MODULAR TRACK



35457 7W LED TRACK HEAD

WATTS	LUMENS	KELVIN	DIMMABLE	CRI	BEAM ANGLE	VERTICAL ROTATION	HORIZONTAL ROTATION
7W	540LM	3000K/3500K	TRIAC	90+	24°	90°	340°

LED

- Constructed of die cast aluminum
- Powder coated finish, available in black and white finish
- Adjustable direction suits different application requirements
- Eurofase track fixtures are compatible with most brands configured to Halo track system design

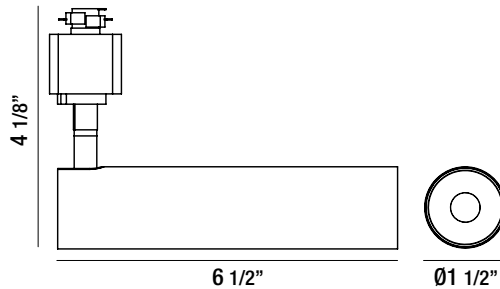
FINISHES



-01 Black



-02 White



ORDERING GUIDE

MODEL	KELVIN	FINISH
35457	-30 3000K	-01 Black
	-35 3500K	-02 White

EXAMPLE: 35457-30-01

More detailed specification information and performance data is available at www.eurofase.com



MODULAR TRACK



32362 40W LED TRACK HEAD

WATTS	LUMENS	KELVIN	DIMMABLE	CRI	BEAM ANGLE	VERTICAL ROTATION	HORIZONTAL ROTATION
40W	2800LM	3500K	TRIAC	80+	24°	90°	340°

LED

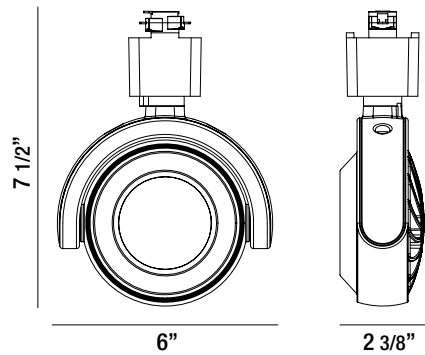
- Constructed of die cast aluminum
- Powder coated finish, available in black and white finish
- Adjustable direction suits different application requirements
- Eurofase track fixtures are compatible with most brands configured to Halo track system design

FINISHES



-01 Black

-02 White



ORDERING GUIDE

MODEL	KELVIN	FINISH
32362	-35 3500K	-01 Black -02 White

EXAMPLE: 32362-35-01



32361 30W LED TRACK HEAD

WATTS	LUMENS	KELVIN	DIMMABLE	CRI	BEAM ANGLE	VERTICAL ROTATION	HORIZONTAL ROTATION
30W	2100LM	3000K/3500K	TRIAC	80+	24°	90°	340°

LED

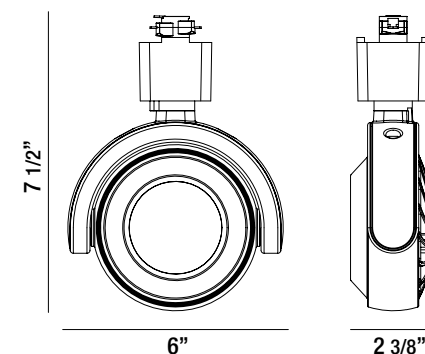
- Constructed of die cast aluminum
- Powder coated finish, available in black and white finish
- Adjustable direction suits different application requirements
- Eurofase track fixtures are compatible with most brands configured to Halo track system design

FINISHES



-01 Black

-02 White



ORDERING GUIDE

MODEL	KELVIN	FINISH
32361	-30 3000K -35 3500K	-01 Black -02 White

EXAMPLE: 32361-30-01

MODULAR TRACK



32360 20W LED TRACK HEAD

WATTS	LUMENS	KELVIN	DIMMABLE	CRI	BEAM ANGLE	VERTICAL ROTATION	HORIZONTAL ROTATION
20W	1400LM	3000K/3500K	TRIAC	80+	24°	90°	340°

LED

- Constructed of die cast aluminum
- Powder coated finish, available in black and white finish
- Adjustable direction suits different application requirements
- Eurofase track fixtures are compatible with most brands configured to Halo track system design

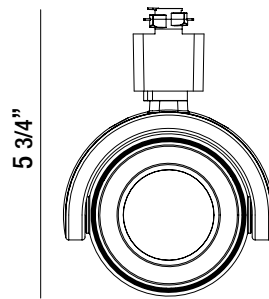
FINISHES



-01 Black

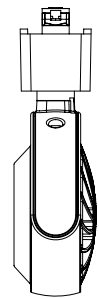


-02 White



5 3/4"

4 1/4"



1 5/8"

ORDERING GUIDE

MODEL	KELVIN	FINISH
32360	-30 3000K	-01 Black
	-35 3500K	-01 Black
		-02 White

EXAMPLE: 32360-30-01

More detailed specification information and performance data is available at www.eurofase.com



MODULAR TRACK



32363 40W LED TRACK HEAD

WATTS	LUMENS	KELVIN	DIMMABLE	CRI	BEAM ANGLE	VERTICAL ROTATION	HORIZONTAL ROTATION
40W	2800LM	3500K	TRIAC	90+	24°	90°	340°

LED

- Constructed of die cast aluminum
- Powder coated finish, available in black and white finish
- Adjustable direction suits different application requirements
- Eurofase track fixtures are compatible with most brands configured to Halo track system design

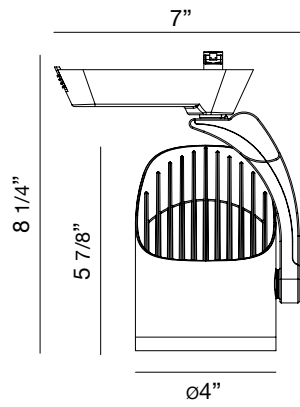
FINISHES



-01 Black



-02 White



ORDERING GUIDE

MODEL	KELVIN	FINISH
32363	-35 3500K	-01 Black -02 White

EXAMPLE: 32363-35-01



32364 30W LED TRACK HEAD

WATTS	LUMENS	KELVIN	DIMMABLE	CRI	BEAM ANGLE	VERTICAL ROTATION	HORIZONTAL ROTATION
30W	2100LM	3000K/3500K	TRIAC	90+	24°	90°	340°

LED

- Constructed of die cast aluminum
- Powder coated finish, available in black and white finish
- Adjustable direction suits different application requirements
- Eurofase track fixtures are compatible with most brands configured to Halo track system design

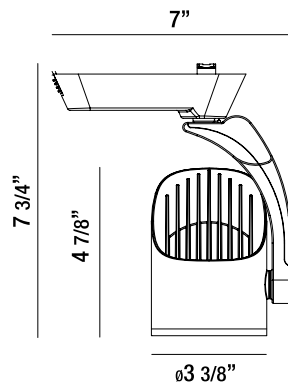
FINISHES



-01 Black



-02 White



ORDERING GUIDE

MODEL	KELVIN	FINISH
32364	-30 3000K -35 3500K	-01 Black -02 White

EXAMPLE: 32364-30-01

MODULAR TRACK



32365 20W LED TRACK HEAD

WATTS	LUMENS	KELVIN	DIMMABLE	CRI	BEAM ANGLE	VERTICAL ROTATION	HORIZONTAL ROTATION
20W	1400LM	3000K/3500K	TRIAC	90+	24°	90°	340°

LED

- Constructed of die cast aluminum
- Powder coated finish, available in black and white finish
- Adjustable direction suits different application requirements
- Eurofase track fixtures are compatible with most brands configured to Halo track system design

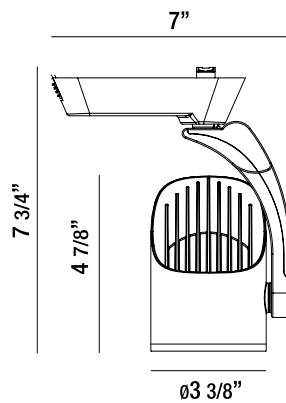
FINISHES



-01 Black



-02 White



ORDERING GUIDE

MODEL	KELVIN	FINISH
32365	-30 3000K	-01 Black
	-35 3500K	-02 White

EXAMPLE: 32365-30-01



32366 15W LED TRACK HEAD

WATTS	LUMENS	KELVIN	DIMMABLE	CRI	BEAM ANGLE	VERTICAL ROTATION	HORIZONTAL ROTATION
15W	1050LM	3500K/4000K	TRIAC	90+	24°	90°	340°

LED

- Constructed of die cast aluminum
- Powder coated finish, available in black and white finish
- Adjustable direction suits different application requirements
- Eurofase track fixtures are compatible with most brands configured to Halo track system design

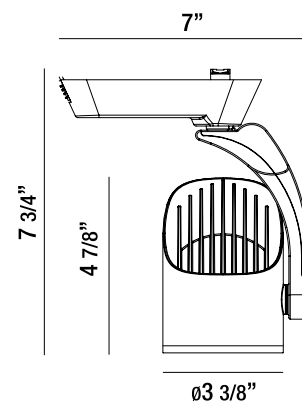
FINISHES



-01 Black



-02 White



ORDERING GUIDE

MODEL	KELVIN	FINISH
32366	-35 3500K	-01 Black
	-40 4000K	-02 White

EXAMPLE: 32366-35-01

TRACK LIGHTING
MODULAR TRACK



29680 30W LED TRACK HEAD

WATTS	LUMENS	KELVIN	DIMMABLE	CRI	BEAM ANGLE	VERTICAL ROTATION	HORIZONTAL ROTATION
30W	2400LM	3000K/3500K	TRIAC	80+	30°	90°	340°

LED

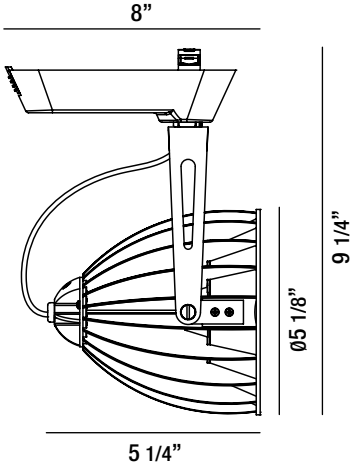
- Constructed of die cast aluminum
- Powder coated finish, available in black and white finish
- Adjustable direction suits different application requirements
- Eurofase track fixtures are compatible with most brands configured to Halo track system design



FINISHES



-01 Black -02 White



ORDERING GUIDE

MODEL	KELVIN	FINISH
29680	-30 3000K	-01 Black
	-35 3500K	-02 White

EXAMPLE: 29680-30-02

MODULAR TRACK



FINISHES



-01 Black



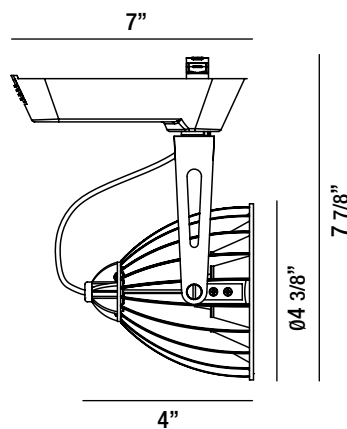
-02 White

29678 20W LED TRACK HEAD

WATTS	LUMENS	KELVIN	DIMMABLE	CRI	BEAM ANGLE	VERTICAL ROTATION	HORIZONTAL ROTATION
20W	1600LM	3000K/3500K	TRIAC	80+	30°	90°	340°

LED

- Constructed of die cast aluminum
- Powder coated finish, available in black and white finish
- Adjustable direction suits different application requirements
- Eurofase track fixtures are compatible with most brands configured to Halo track system design



ORDERING GUIDE

MODEL	KELVIN	FINISH
29678	-30 3000K	-01 Black
	-35 3500K	-02 White

EXAMPLE: 29678-30-01



FINISHES



-01 Black



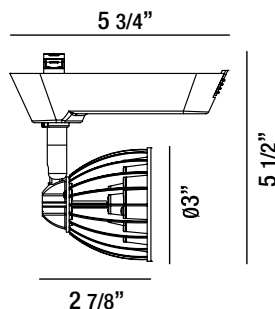
-02 White

29676 10W LED TRACK HEAD

WATTS	LUMENS	KELVIN	DIMMABLE	CRI	BEAM ANGLE	VERTICAL ROTATION	HORIZONTAL ROTATION
10W	800LM	3000K/3500K 4000K	TRIAC	80+	30°	90°	340°

LED

- Constructed of die cast aluminum
- Powder coated finish, available in black and white finish
- Adjustable direction suits different application requirements
- Eurofase track fixtures are compatible with most brands configured to Halo track system design



ORDERING GUIDE

MODEL	KELVIN	FINISH
29676	-30 3000K	-01 Black
	-35 3500K	-02 White
	-40 4000K	

EXAMPLE: 29676-30-01

MODULAR TRACK



Unique square shape, outstanding lighting quality with various beam angles to apply different diffusers for different environments. Wide variety of lighting type, track light, recessed downlight, surface mounted light and wall light.

32983 30W LED TRACK HEAD

FINISHES



-01 Black

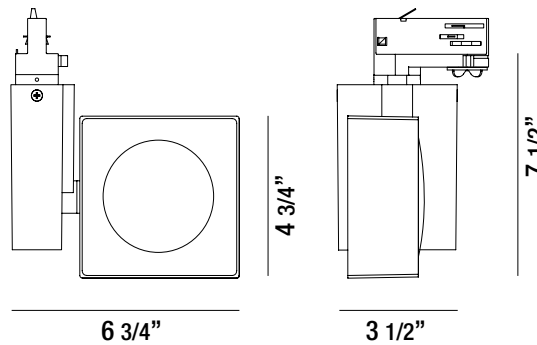


-02 White

WATTS	LUMENS	KELVIN	DIMMABLE	CRI	BEAM ANGLE	VERTICAL ROTATION	HORIZONTAL ROTATION
30W	2800LM	3500K	TRIAC	80+	30°	90°	350°

LED

- Constructed of die cast aluminum
- Powder coated finish, available in black and white finish
- Adjustable direction suits different application requirements
- Eurofase track fixtures are compatible with most brands configured to Halo track system design



ORDERING GUIDE

MODEL	KELVIN	BEAM ANGLE	FINISH
32983	-35 3500K	-3 30°	-01 Black -02 White

EXAMPLE: 32983-35-3-01



32984 30W LED TRACK HEAD

WATTS	LUMENS	KELVIN	DIMMABLE	CRI	BEAM ANGLE	VERTICAL ROTATION	HORIZONTAL ROTATION
30W	2300LM	3500K	TRIAC	80+	30°	90°	350°

LED

- Constructed of die cast aluminum
- Powder coated finish, available in black and white finish
- Adjustable direction suits different application requirements
- Eurofase track fixtures are compatible with most brands configured to Halo track system design

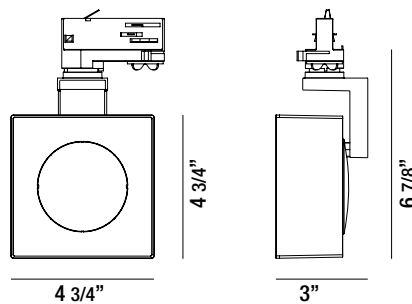
FINISHES



-01 Black



-02 White



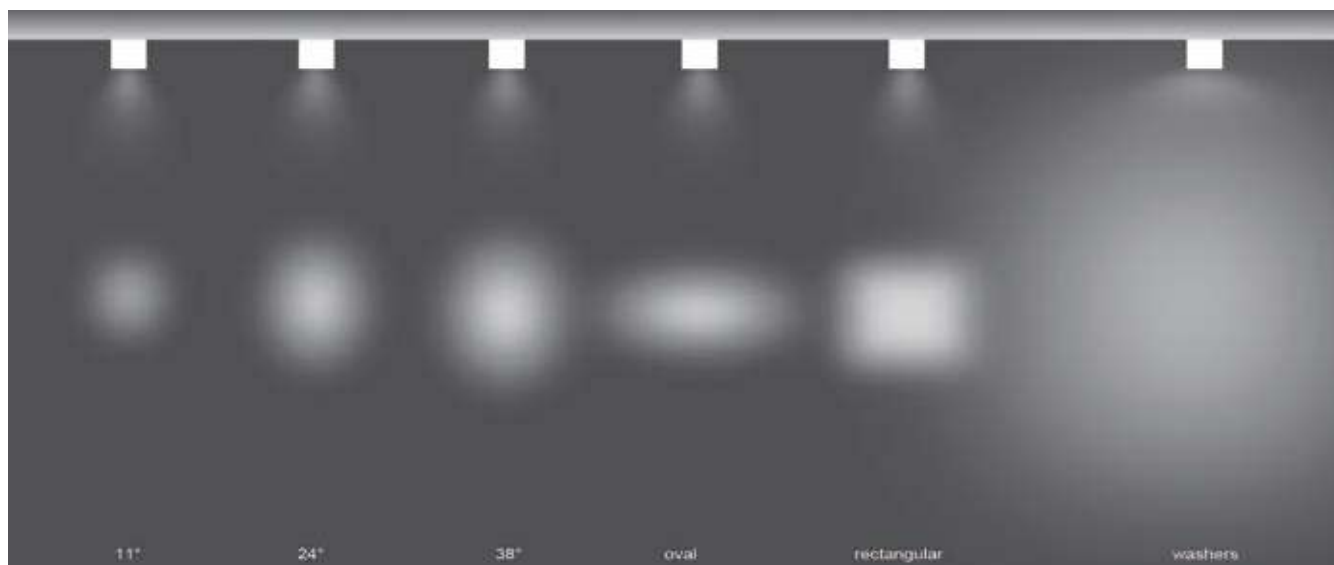
ORDERING GUIDE

MODEL	KELVIN	BEAM ANGLE	FINISH
32984	-35 3500K	-3 30°	-01 Black -02 White

EXAMPLE: 32984-35-3-01



Lighting Technology

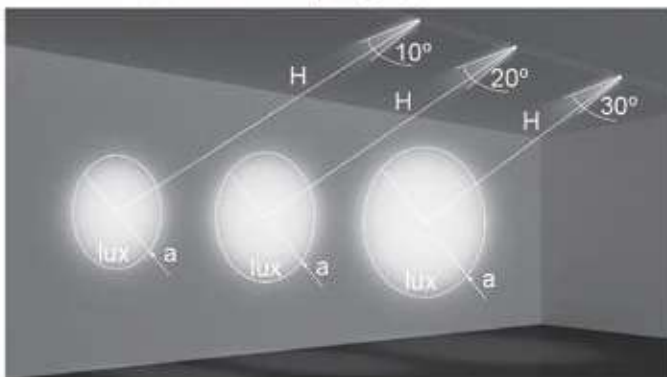


Multiple combination between the lens & diffuser

Lens

Spot (Angle 10° / 20° / 30°)

Round narrow beam is suitable for object lighting.



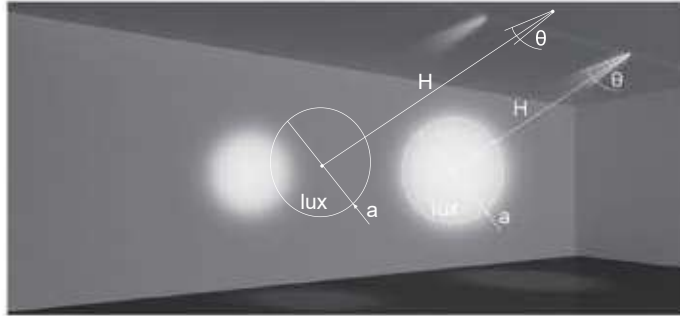
BEAM ANGLE	H	a	lux
10°	1m	Ø22cm	26174 lx
	2m	Ø44cm	6544 lx
	2.5m	Ø55cm	4188 lx
20°	1m	Ø36cm	10857 lx
	2m	Ø72cm	2714 lx
	2.5m	Ø90cm	1737 lx
30°	1m	Ø63cm	3986 lx
	2m	Ø126cm	997 lx
	2.5m	Ø158cm	638 lx

DIFFUSER OPTIONS



32995-015 FLOOD DIFFUSER

Wider beam diffuser to focus on larger objects.

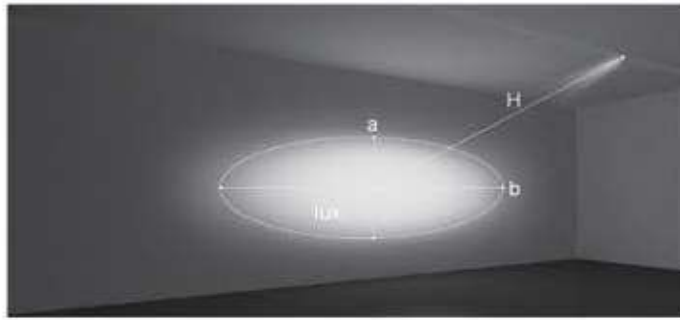


BEAM ANGLE	H	a	lux	θ
30°	1m	Ø99cm	601 lx	55°
	2m	Ø198cm	150 lx	
	2.5m	Ø248cm	96 lx	



32996-012 OVAL FLOOD DIFFUSER

Oval flood beam suitable for wall wash.

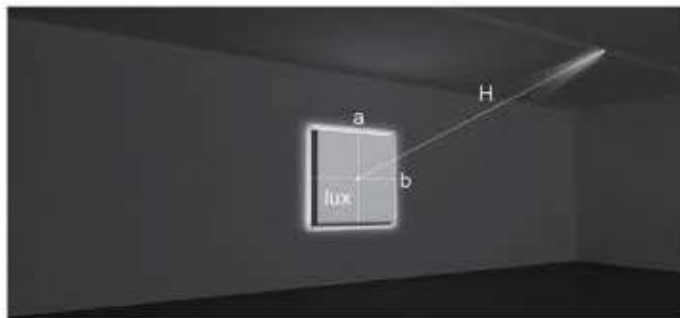


BEAM ANGLE	H	a/b	lux
30°	1m	65cm / 88cm	1663 lx
	2m	130cm / 176cm	416 lx
	2.5m	163cm / 220cm	266 lx

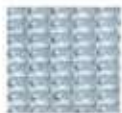


32997-019 FRAMING DIFFUSER

Square diffuser to focus on artwork in the gallery.



BEAM ANGLE	H	a/b	lux
30°	1m	108cm / 108cm	559 lx
	2m	216cm / 216cm	140 lx
	2.5m	270cm / 270cm	89 lx



32998-016 WALLWASH DIFFUSER

Wall wash provides even spread on the wall.



BEAM ANGLE	H	D	lux
30°	1m	61cm	381 lx
	2m	121cm	95 lx
	2.5m	152cm	61 lx

MODULAR TRACK



32367 40W LED TRACK HEAD

WATTS	LUMENS	KELVIN	DIMMABLE	CRI	BEAM ANGLE	VERTICAL ROTATION	HORIZONTAL ROTATION
40W	2800LM	3500K	TRIAC	80+	24°- 60°	90°	340°

LED

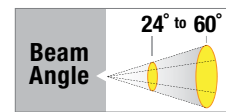
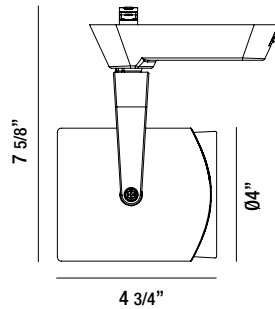
- Constructed of die cast aluminum
- Powder coated finish, available in black and white finish
- Adjustable direction suits different application requirements
- Eurofase track fixtures are compatible with most brands configured to Halo track system design
- Calibrate beam angle from 24° to 60°

FINISHES



-01 Black

-02 White



ORDERING GUIDE

MODEL	KELVIN	FINISH
32367	-35 3500K	-01 Black -02 White

EXAMPLE: 32367-35-01



32986 30W LED TRACK HEAD

WATTS	LUMENS	KELVIN	DIMMABLE	CRI	BEAM ANGLE	VERTICAL ROTATION	HORIZONTAL ROTATION
30W	2500LM	3500K	TRIAC	80+	38°	90°	270°

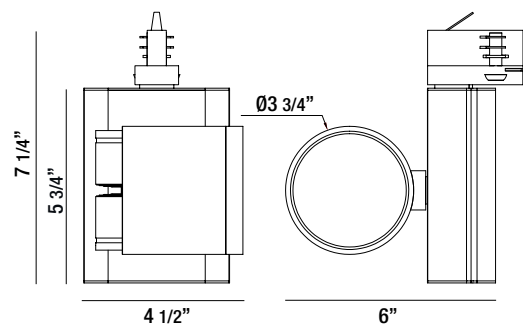
LED

- Constructed of die cast aluminum
- Powder coated finish, available in white finish
- Adjustable direction suits different application requirements
- Eurofase track fixtures are compatible with most brands configured to Halo track system design

FINISHES



-02 White



ORDERING GUIDE

MODEL	KELVIN	FINISH
32986	-35 3500K	-02 White

EXAMPLE: 32986-35-02

MODULAR TRACK



32985 15W LED TRACK HEAD

WATTS	LUMENS	KELVIN	DIMMABLE	CRI	BEAM ANGLE	VERTICAL ROTATION	HORIZONTAL ROTATION
15W	1250LM	4000K	TRIAC	80+	38°	90°	270°

LED

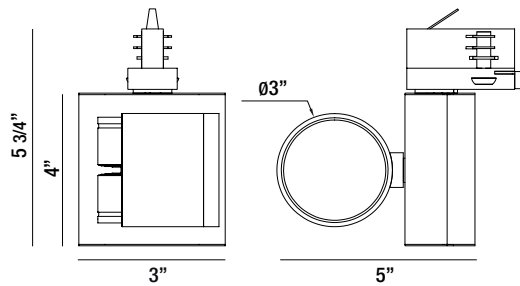
- Constructed of die cast aluminum
- Powder coated finish, available in black and white finish
- Adjustable direction suits different application requirements
- Eurofase track fixtures are compatible with most brands configured to Halo track system design

FINISHES



-01 Black

-02 White



ORDERING GUIDE

MODEL	KELVIN	FINISH
32985	-40 4000K	-01 Black -02 White

EXAMPLE: 32985-40-01



32988 35W LED TRACK HEAD

WATTS	LUMENS	KELVIN	DIMMABLE	CRI	BEAM ANGLE	VERTICAL ROTATION	HORIZONTAL ROTATION
35W	2950LM	3500K	TRIAC	80+	10° - 70°	90°	270°

LED

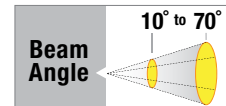
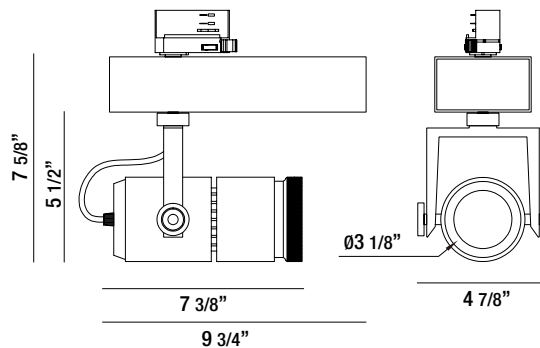
- Constructed of die cast aluminum
- Powder coated finish, available in black and white finish
- Adjustable direction suits different application requirements
- Eurofase track fixtures are compatible with most brands configured to Halo track system design
- Calibrate beam angle from 10° to 70°

FINISHES



-01 Black

-02 White



ORDERING GUIDE

MODEL	KELVIN	FINISH
32988	-35 3500K	-01 Black -02 White

EXAMPLE: 32988-35-01

MODULAR TRACK



32987 15W LED TRACK HEAD

WATTS	LUMENS	KELVIN	DIMMABLE	CRI	BEAM ANGLE	VERTICAL ROTATION	HORIZONTAL ROTATION
15W	1250LM	3000K/3500K 4000K	TRIAC	80+	10°- 70°	90°	270°

LED

- Constructed of die cast aluminum
- Powder coated finish, available in black and white finish
- Adjustable direction suits different application requirements
- Eurofase track fixtures are compatible with most brands configured to Halo track system design
- Calibrate beam angle from 10° to 70°

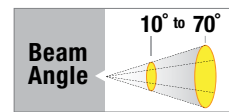
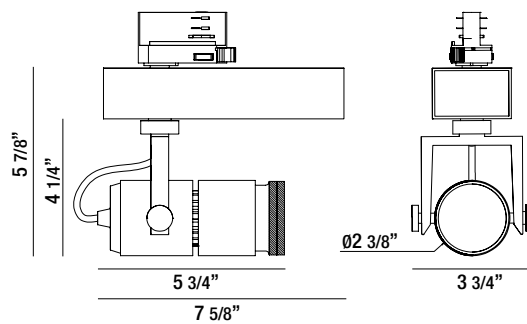
FINISHES



-01 Black



-02 White



ORDERING GUIDE

MODEL	KELVIN	FINISH
32987	-30 3000K	-01 Black
	-35 3500K	-02 White
	-40 4000K	

EXAMPLE: 32987-30-01



32991 30W LED TRACK HEAD

WATTS	LUMENS	KELVIN	DIMMABLE	CRI	BEAM ANGLE	VERTICAL ROTATION	HORIZONTAL ROTATION
30W	2550LM	3500K	TRIAC	80+	35°	90°	270°

LED

- Constructed of die cast aluminum
- Powder coated finish, available in black and white finish
- Adjustable direction suits different application requirements
- Eurofase track fixtures are compatible with most brands configured to Halo track system design

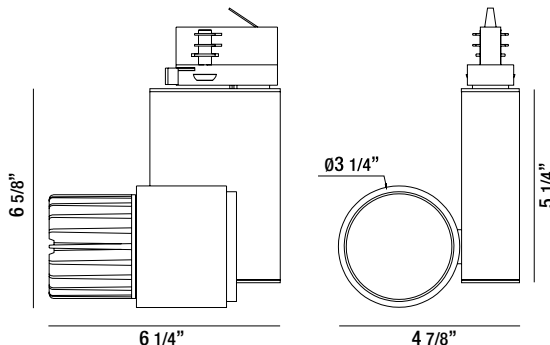
FINISHES



-01 Black



-02 White



ORDERING GUIDE

MODEL	KELVIN	FINISH
32991	-35 3500K	-01 Black
		-02 White

EXAMPLE: 32991-35-01

MODULAR TRACK



FINISHES



-01 Black

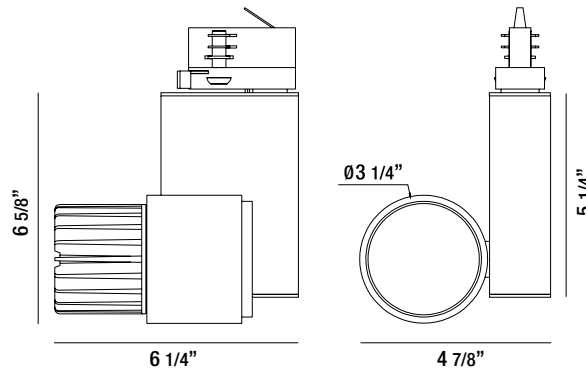
-02 White

32990 20W LED TRACK HEAD

WATTS	LUMENS	KELVIN	DIMMABLE	CRI	BEAM ANGLE	VERTICAL ROTATION	HORIZONTAL ROTATION
20W	1700LM	3500K	TRIAC	80+	35°	90°	270°

LED

- Constructed of die cast aluminum
- Powder coated finish, available in black and white finish
- Adjustable direction suits different application requirements
- Eurofase track fixtures are compatible with most brands configured to Halo track system design



ORDERING GUIDE

MODEL	KELVIN	FINISH
32990	-35 3500K	-01 Black -02 White

EXAMPLE: 32990-35-01



FINISHES



-01 Black

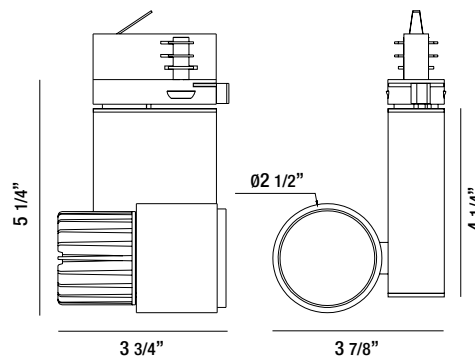
-02 White

32989 10W LED TRACK HEAD

WATTS	LUMENS	KELVIN	DIMMABLE	CRI	BEAM ANGLE	VERTICAL ROTATION	HORIZONTAL ROTATION
10W	850LM	3500K/4000K	TRIAC	80+	35°	90°	270°

LED

- Constructed of die cast aluminum
- Powder coated finish, available in black and white finish
- Adjustable direction suits different application requirements
- Eurofase track fixtures are compatible with most brands configured to Halo track system design



ORDERING GUIDE

MODEL	KELVIN	FINISH
32989	-35 3500K -40 4000K	-01 Black -02 White

EXAMPLE: 32989-35-01



Surface
Mount



Track



Architectural Lighting

- Track mounted
- Easy installation and maintenance
- 90° Vertical adjustment for the aiming of the light
- 350° Horizontal adjustment for the aiming of the light



MODULAR TRACK



FINISHES



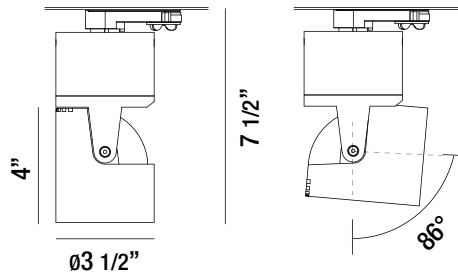
-02 White

32992 30W LED 2 IN 1 CONVERTIBLE TRACK & SURFACE MOUNT

WATTS	LUMENS	KELVIN	DIMMABLE	CRI	BEAM ANGLE	VERTICAL ROTATION	HORIZONTAL ROTATION
30W	2900LM	3500K	TRIAC	90+	38°	86°	350°

LED

- Constructed of die cast aluminum
- Powder coated finish, available in white finish
- Adjustable direction suits different application requirements
- Eurofase track fixtures are compatible with most brands configured to Halo track system design



ORDERING GUIDE

MODEL	KELVIN	FINISH
32992	-35 3500K	-02 White

EXAMPLE: 32992-35-02



FINISHES



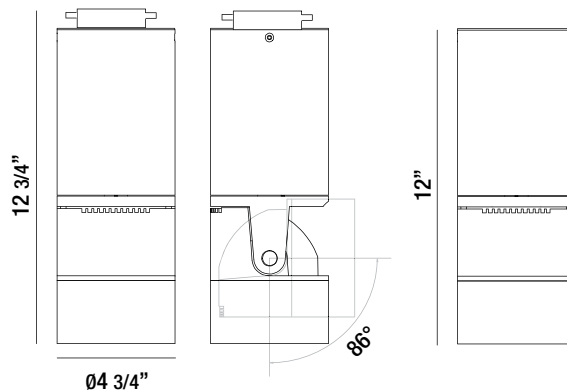
-017 White

23346 24W LED 2 IN 1 CONVERTIBLE TRACK & SURFACE MOUNT

WATTS	LUMENS	KELVIN	DIMMABLE	CRI	BEAM ANGLE	VERTICAL ROTATION	HORIZONTAL ROTATION
24W	2000LM	3000K	TRIAC	85+	40°	86°	350°

LED

- Constructed of die cast aluminum
- Powder coated finish, available in white finish
- Adjustable direction suits different application requirements
- Eurofase track fixtures are compatible with most brands configured to Halo track system design



ORDERING GUIDE

MODEL	KELVIN	FINISH
23346	-30 3000K	-017 White

EXAMPLE: 23346-30-017

MODULAR TRACK



FINISHES



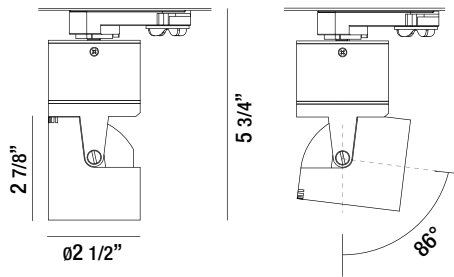
-02 White

23348 13W LED 2 IN 1 CONVERTIBLE TRACK & SURFACE MOUNT

WATTS	LUMENS	KELVIN	DIMMABLE	CRI	BEAM ANGLE	VERTICAL ROTATION	HORIZONTAL ROTATION
13W	1250LM	3500K	TRIAC	90+	38°	86°	350°

LED

- Constructed of die cast aluminum
- Powder coated finish, available in white finish
- Adjustable direction suits different application requirements
- Eurofase track fixtures are compatible with most brands configured to Halo track system design



ORDERING GUIDE

MODEL	KELVIN	FINISH
23348	-35 3500K	-02 White

EXAMPLE: 23348-35-02



FINISHES

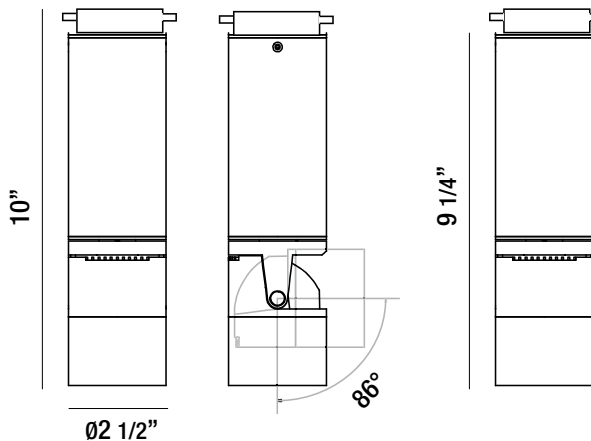


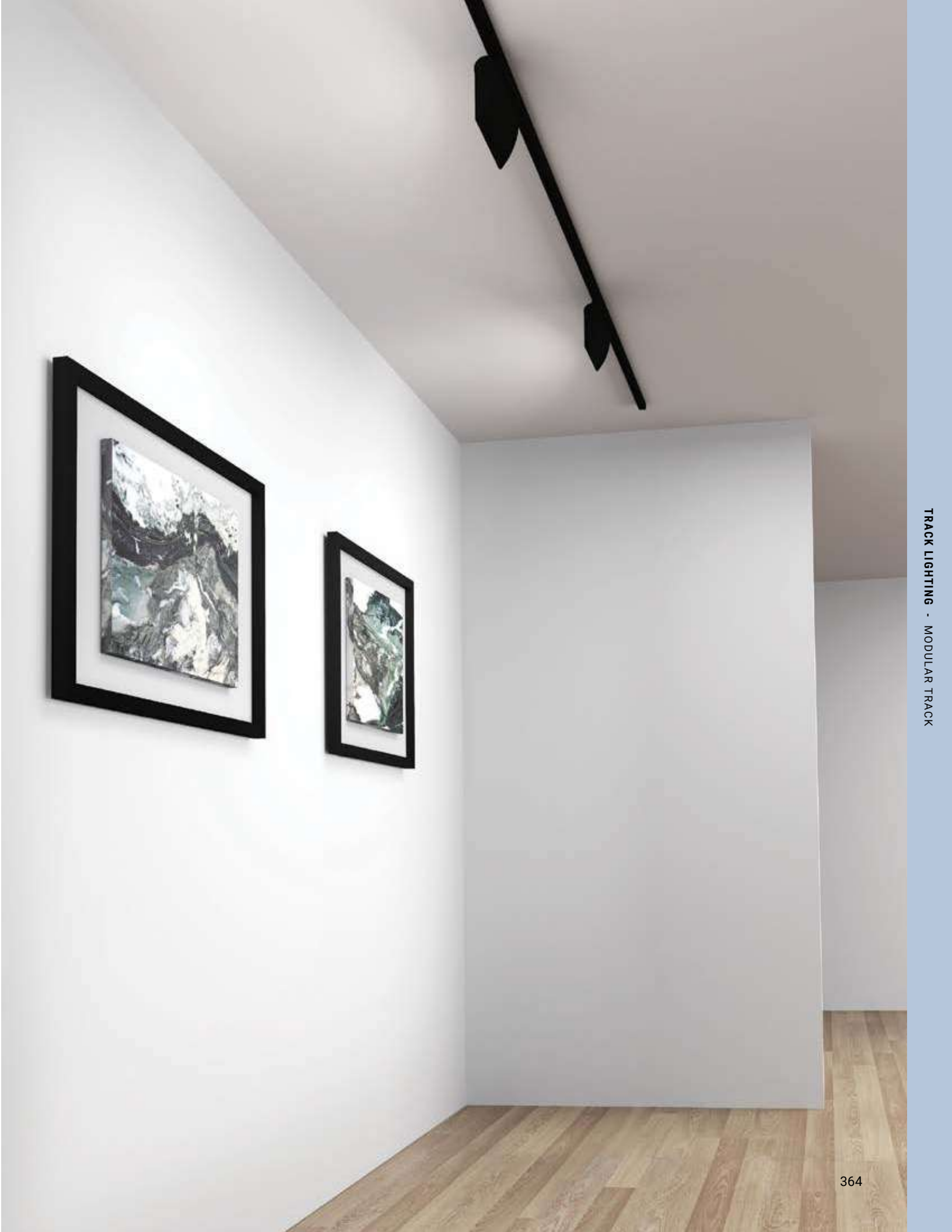
-014 White

23350 50W MR16 2 IN 1 CONVERTIBLE TRACK & SURFACE MOUNT

WATTS	BULB TYPE	BULB SOCKET	VERTICAL ROTATION	HORIZONTAL ROTATION
50W	MR16	G5.3	90°	350°

- Constructed of die cast aluminum
- Powder coated finish, available in white finish
- Adjustable direction suits different application requirements
- Bulb not included





MODULAR TRACK

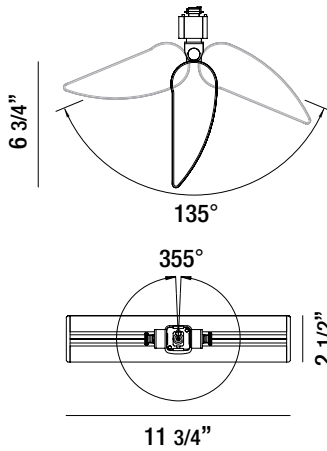


32993 30W LED TRACK HEAD

WATTS	LUMENS	KELVIN	DIMMABLE	CRI	BEAM ANGLE	VERTICAL ROTATION	HORIZONTAL ROTATION
30W	2000LM	3000K/3500K	TRIAC	80+	100°	67.5°	355°

LED

- Constructed of die cast aluminum
- Powder coated finish, available in black and white finish
- Adjustable direction suits different application requirements
- Eurofase track fixtures are compatible with most brands configured to Halo track system design



FINISHES



-01 Black



-02 White

ORDERING GUIDE

MODEL	KELVIN	FINISH
32993	-30 3000K	-01 Black
	-35 3500K	-01 Black -02 White

EXAMPLE: 32993-30-01

More detailed specification information and performance data is available at www.eurofase.com



DIPPER

Dipper series commonly used in walkway, ceiling, wallwash or shelf lighting. Provides economical lighting solution.

MODULAR TRACK



29670 10W LED TRACK HEAD

WATTS	LUMENS	KELVIN	DIMMABLE	CRI	BEAM ANGLE	VERTICAL ROTATION	HORIZONTAL ROTATION
10W	800LM	3000K	TRIAC	80+	120°	90°	340°

LED

- Constructed of die cast aluminum
- Powder coated finish, available in black and white finish
- Adjustable direction suits different application requirements
- Eurofase track fixtures are compatible with most brands configured to Halo track system design

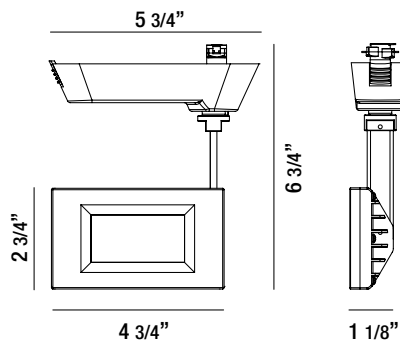
FINISHES



-024 Black



-017 White



ORDERING GUIDE:

MODEL	KELVIN	FINISH
29670	-30 3000K	-024 Black -017 White

EXAMPLE: 29670-30-024



29672 10W 2-LIGHT LED TRACK HEAD

WATTS	LUMENS	KELVIN	DIMMABLE	CRI	BEAM ANGLE	VERTICAL ROTATION	HORIZONTAL ROTATION
10W	800LM	3000K	TRIAC	80+	120°	90°	340°

LED

- Constructed of die cast aluminum
- Powder coated finish, available in black and white finish
- Adjustable direction suits different application requirements
- Eurofase track fixtures are compatible with most brands configured to Halo track system design

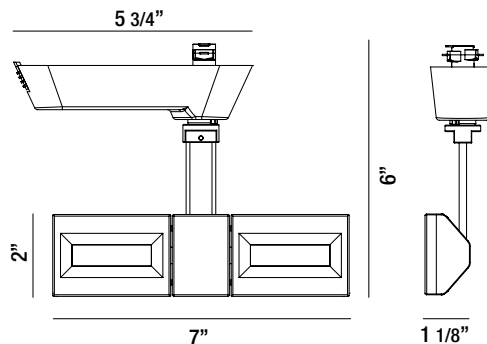
FINISHES



-028 Black



-011 White



ORDERING GUIDE:

MODEL	KELVIN	FINISH
29672	-30 3000K	-028 Black -011 White

EXAMPLE: 29672-30-028

MODULAR TRACK



27996 10W LED TRACK HEAD

WATTS	LUMENS	KELVIN	DIMMABLE	CRI	BEAM ANGLE	VERTICAL ROTATION	HORIZONTAL ROTATION
10W	800LM	3000K	TRIAC	80+	90°	90°	340°

LED

- Constructed of extruded aluminum
- Powder coated finish, available in black and white finish
- Adjustable direction suits different application requirements
- Eurofase track fixtures are compatible with most brands configured to Halo track system design

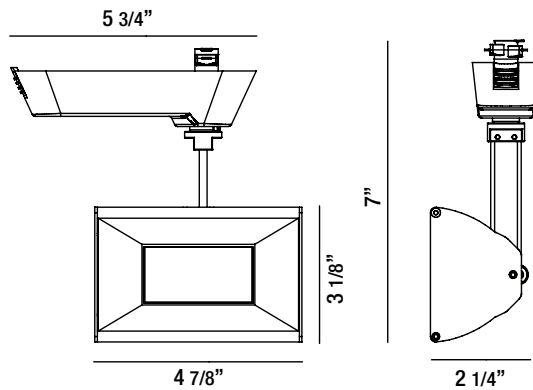
FINISHES



-027 Black



-010 White



ORDERING GUIDE:

MODEL	KELVIN	FINISH
27996	-30 3000K	-027 Black -010 White

EXAMPLE: 27996-30-027

More detailed specification information and performance data is available at www.eurofase.com



MODULAR TRACK



TK-HGP38 150W PAR38 TRACK HEAD

WATTS	BULB TYPE	BULB SOCKET	BEAM ANGLE	VERTICAL ROTATION	HORIZONTAL ROTATION
150W	PAR38	E26	120°	90°	350°

- Powder coated finish, available in black, white, and platinum finish
- Adjustable direction suits different application requirements
- Eurofase track fixtures are compatible with most brands configured to Halo track system design
- Bulb not included

FINISHES



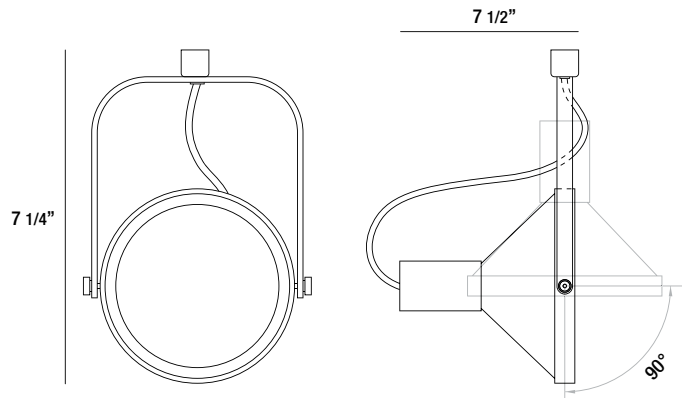
-01 Black



-02 White



-S5 Platinum



TK-HGP30 75W PAR30 TRACK HEAD

WATTS	BULB TYPE	BULB SOCKET	BEAM ANGLE	VERTICAL ROTATION	HORIZONTAL ROTATION
75W	PAR30	E26	120°	90°	350°

- Powder coated finish, available in black and platinum finish
- Adjustable direction suits different application requirements
- Eurofase track fixtures are compatible with most brands configured to Halo track system design
- Bulb not included

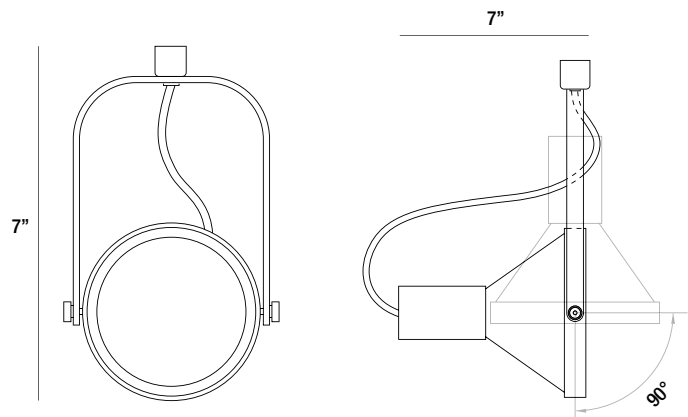
FINISHES



-01 Black



-S5 Platinum



MODULAR TRACK



TK-HGP20 50W PAR20 TRACK HEAD

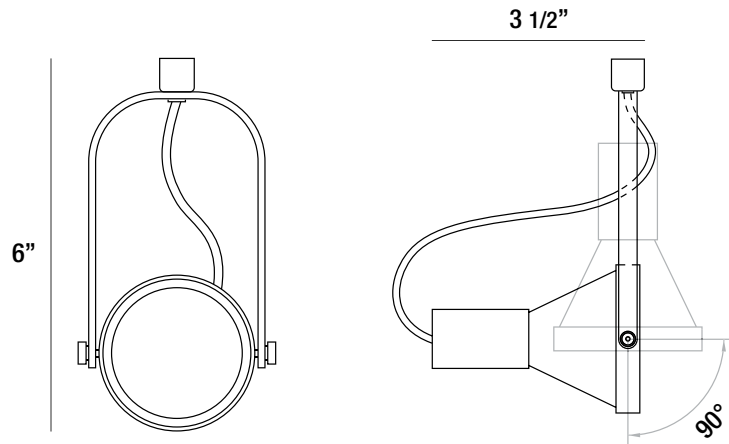
WATTS	BULB TYPE	BULB SOCKET	BEAM ANGLE	VERTICAL ROTATION	HORIZONTAL ROTATION
50W	PAR20	E26	120°	90°	350°

- Powder coated finish, available in black finish
- Adjustable direction suits different application requirements
- Eurofase track fixtures are compatible with most brands configured to Halo track system design
- Bulb not included

FINISHES



-01 Black



23403 150W PAR38 TRACK HEAD

WATTS	BULB TYPE	BULB SOCKET	BEAM ANGLE	VERTICAL ROTATION	HORIZONTAL ROTATION
150W	PAR38	E26	120°	90°	350°

- Powder coated finish, available in black, white, and platinum finish
- Adjustable direction suits different application requirements
- Eurofase track fixtures are compatible with most brands configured to Halo track system design
- Bulb not included

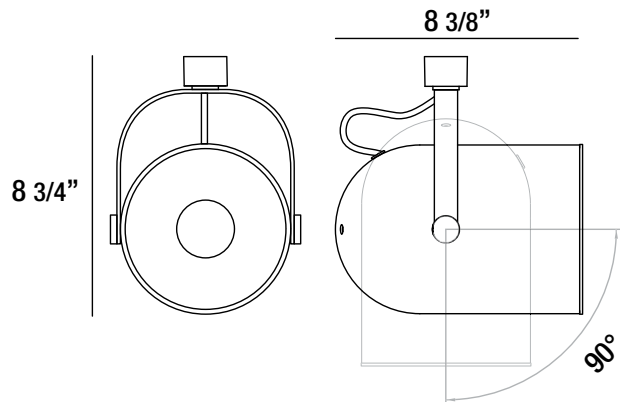
FINISHES



-024 Black

-017 White

-031 Platinum



MODULAR TRACK



23402 75W PAR30 TRACK HEAD

WATTS	BULB TYPE	BULB SOCKET	BEAM ANGLE	VERTICAL ROTATION	HORIZONTAL ROTATION
75W	PAR30	E26	120°	90°	350°

- Powder coated finish, available in white and platinum finish
- Adjustable direction suits different application requirements
- Eurofase track fixtures are compatible with most brands configured to Halo track system design
- Bulb not included

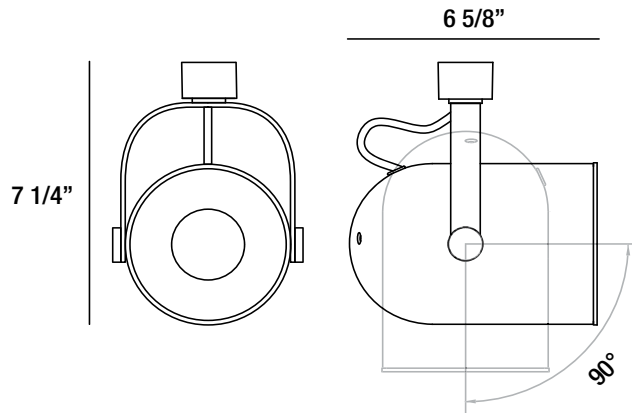
FINISHES



-010 White



-034 Platinum



23401 50W PAR20 TRACK HEAD

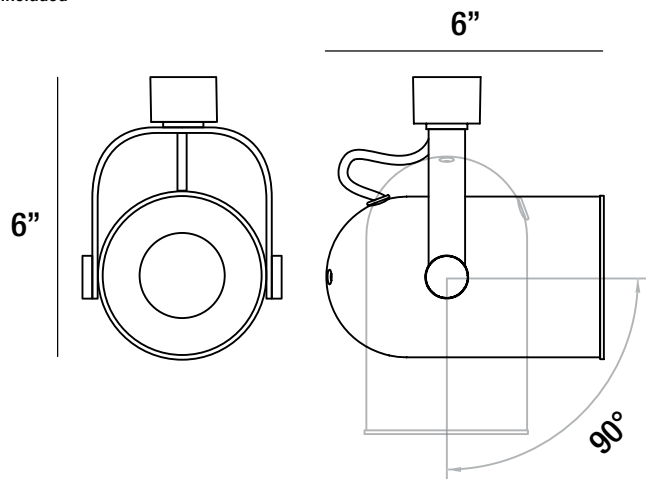
WATTS	BULB TYPE	BULB SOCKET	BEAM ANGLE	VERTICAL ROTATION	HORIZONTAL ROTATION
50W	PAR20	E26	120°	90°	350°

- Powder coated finish, available in platinum finish
- Adjustable direction suits different application requirements
- Eurofase track fixtures are compatible with most brands configured to Halo track system design
- Bulb not included

FINISHES



-037 Platinum



MODULAR TRACK



29674 9W LED TRACK HEAD

WATTS	LUMENS	KELVIN	DIMMABLE	CRI	BEAM ANGLE	VERTICAL ROTATION	HORIZONTAL ROTATION
9W	700LM	3000K	TRIAC	80+	30°	90°	350°

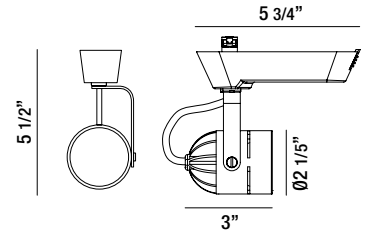
LED

- Constructed of die cast aluminum
- Powder coated finish, available in black and white finish
- Adjustable direction suits different application requirements
- Eurofase track fixtures are compatible with most brands configured to Halo track system design

FINISHES



-022 Black -015 White



23410 50W MR16 TRACK HEAD

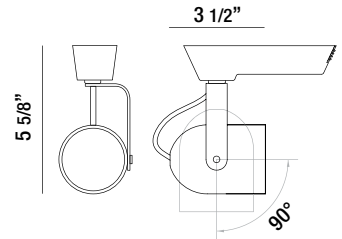
WATTS	BULB TYPE	BULB SOCKET	VERTICAL ROTATION	HORIZONTAL ROTATION
50W	MR16	G5.3	90°	350°

- Available in black, white, and brushed nickel
- Adjustable direction suits different application requirements
- Eurofase track fixtures are compatible with most brands configured to Halo track system design
- Bulb not included

FINISHES



-022 Black/Black -015 White/White -039 White / Brushed Nickel -045 Black / Brushed Nickel



23406 50W GU10 TRACK HEAD

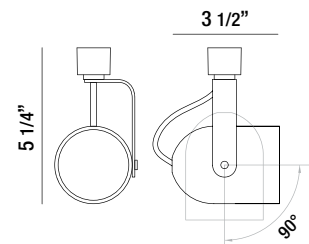
WATTS	BULB TYPE	BULB SOCKET	VERTICAL ROTATION	HORIZONTAL ROTATION
50W	GU10	GU10	90°	350°

- Available in black, white, and brushed nickel
- Adjustable direction suits different application requirements
- Eurofase track fixtures are compatible with most brands configured to Halo track system design
- Bulb not included

FINISHES



-025 Black/Black -018 White/White -032 White / Brushed Nickel -038 Black / Brushed Nickel



MODULAR TRACK



29673 9W LED TRACK HEAD

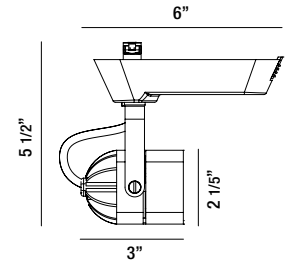
WATTS	LUMENS	KELVIN	DIMMABLE	CRI	BEAM ANGLE	VERTICAL ROTATION	HORIZONTAL ROTATION
9W	700LM	3000K	TRIAC	80+	30°	90°	350°

- Constructed of die cast aluminum
- Powder coated finish, available in black and white finish
- Adjustable direction suits different application requirements
- Eurofase track fixtures are compatible with most brands configured to Halo track system design

FINISHES



-025 Black -018 White



23405 50W GU10 TRACK HEAD

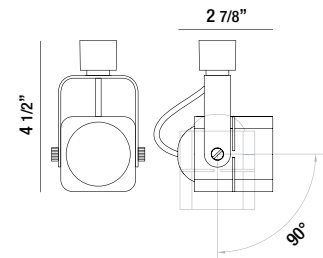
WATTS	BULB TYPE	BULB SOCKET	VERTICAL ROTATION	HORIZONTAL ROTATION
50W	GU10	GU10	90°	350°

- Available in black, white, and brushed nickel
- Adjustable direction suits different application requirements
- Eurofase track fixtures are compatible with most brands configured to Halo track system design
- Bulb not included

FINISHES



-028 Black/Black -011 White/White -045 White /
Brushed Nickel -035 Black /
Brushed Nickel



23404 50W GU10 TRACK HEAD

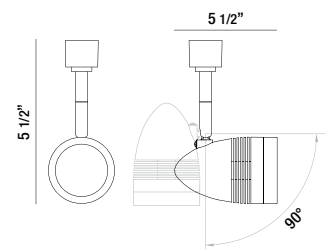
WATTS	BULB TYPE	BULB SOCKET	VERTICAL ROTATION	HORIZONTAL ROTATION
50W	GU10	GU10	90°	350°

- Available in black, white, and brushed nickel
- Adjustable direction suits different application requirements
- Eurofase track fixtures are compatible with most brands configured to Halo track system design
- Bulb not included

FINISHES



-021 Black/Black -014 White/White -038 White /
Brushed Nickel -042 Black /
Brushed Nickel



MODULAR TRACK



23409 50W MR16 TRACK HEAD

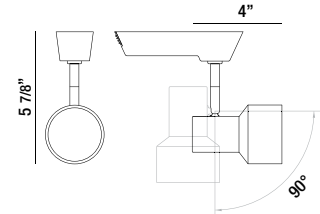
WATTS	BULB TYPE	BULB SOCKET	VERTICAL ROTATION	HORIZONTAL ROTATION
50W	MR16	G5.3	90°	350°

- Available in black (powder coated), white, white/brushed nickel and black/brushed nickel
- Adjustable direction suits different application requirements
- Eurofase track fixtures are compatible with most brands configured to Halo track system design
- Bulb not included

FINISHES



-026 Black/Black -019 White/White -033 White /
Brushed Nickel -038 Black /
Brushed Nickel



23407 50W GU10 TRACK HEAD

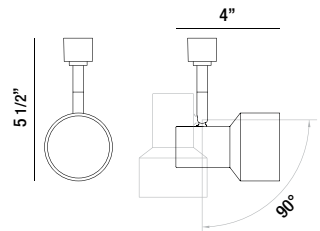
WATTS	BULB TYPE	BULB SOCKET	VERTICAL ROTATION	HORIZONTAL ROTATION
50W	GU10	GU10	90°	350°

- Available in black (powder coated), white/brushed nickel and black/brushed nickel
- Adjustable direction suits different application requirements
- Eurofase track fixtures are compatible with most brands configured to Halo track system design
- Bulb not included

FINISHES



-022 Black/Black -039 White /
Brushed Nickel -045 Black /
Brushed Nickel



23359 50W GU10 TRACK HEAD

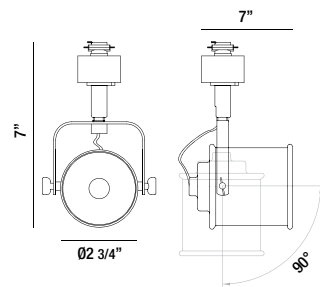
WATTS	BULB TYPE	BULB SOCKET	VERTICAL ROTATION	HORIZONTAL ROTATION
50W	GU10	GU10	90°	350°

- Available in black (powder coated) finish
- Adjustable direction suits different application requirements
- Eurofase track fixtures are compatible with most brands configured to Halo track system design
- Bulb not included

FINISHES



-017 Black



MODULAR TRACK



33218 6W LED TRACK HEAD

WATTS	LUMENS	KELVIN	DIMMABLE	CRI	BEAM ANGLE	VERTICAL ROTATION	HORIZONTAL ROTATION
6W	500LM	3000K	TRIAC	80+	60°	90°	350°

LED

- Constructed of die cast aluminum
- Powder coated finish, available in white and satin nickel with frosted lens
- Adjustable direction suits different application requirements
- Eurofase track fixtures are compatible with most brands configured to Halo track system design

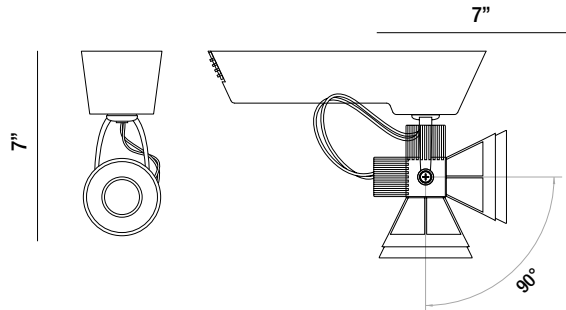
FINISHES



-02 White/Frost



-34 Satin Nickel/Frost



TK-1VTX3 50W GU10 TRACK HEAD

WATTS	BULB TYPE	BULB SOCKET	VERTICAL ROTATION	HORIZONTAL ROTATION
50W	GU10	GU10	90°	350°

- Available in white and satin nickel with frosted lens
- Adjustable direction suits different application requirements
- Eurofase track fixtures are compatible with most brands configured to Halo track system design
- Bulb is included

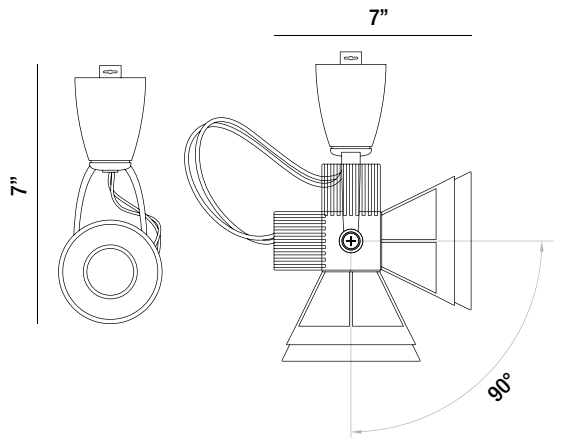
FINISHES



-02 White/Frost



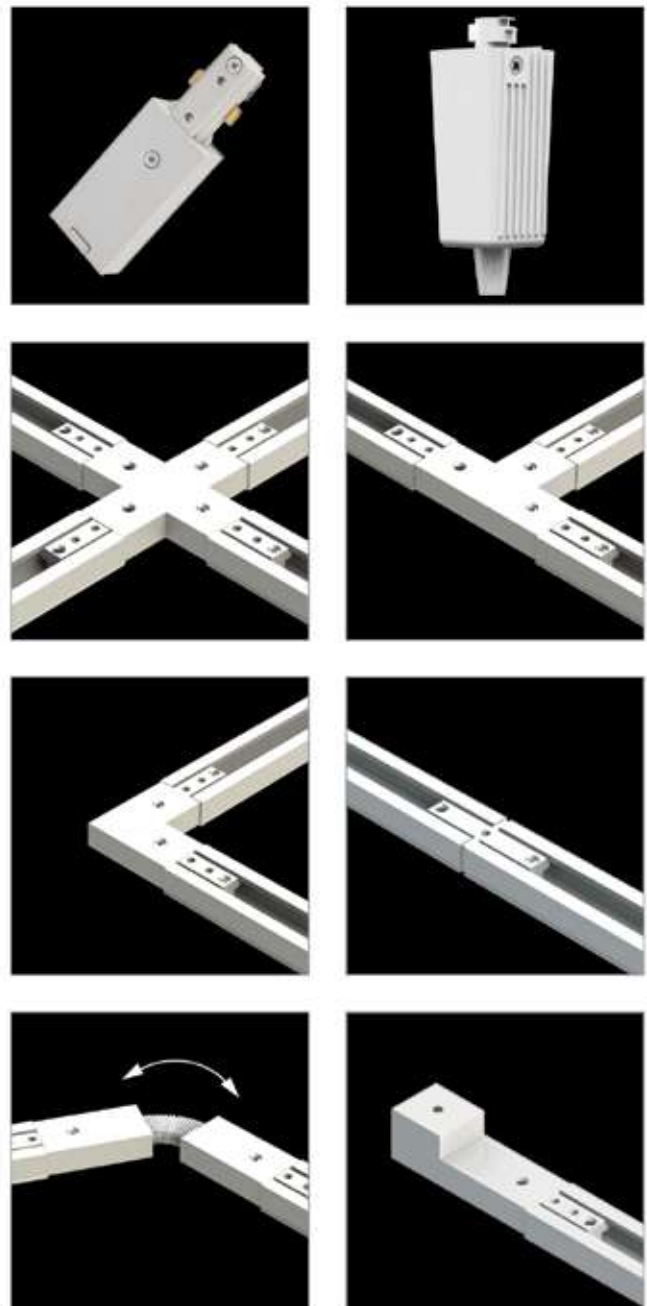
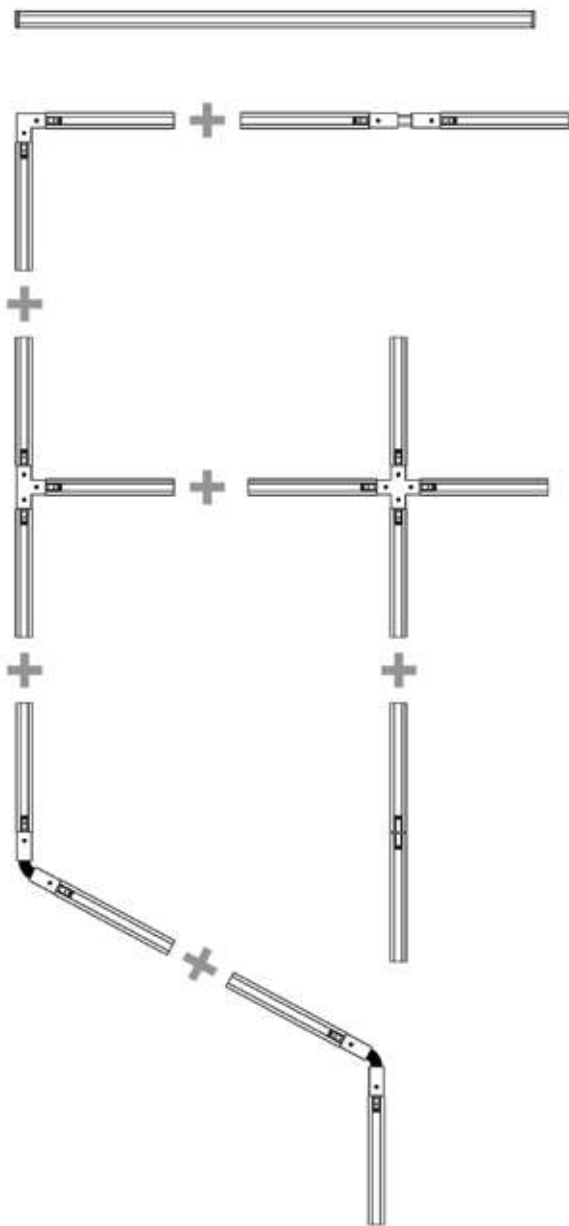
-34 Satin Nickel/Frost



ACCESSORIES

MODULAR TRACK

- Versatile and adaptable, modular lighting allows you to configure a lighting scheme that is custom configured to your needs
- Feature all adjustability for aiming in any direction
- Field-cuttable track sections are combined with feeds and joiners making virtually any configuration possible



TRACK

- Single circuit track, 3-conductor, 20A maximum per circuit
- Can be surface mounted on walls or ceilings
- Field cuttable to desired length
- Use components to build any desired configuration
- Includes 2 dead-end covers

1002 2-FOOT TRACK

PRODUCT DETAILS

LENGTH: 24"
WIDTH: 1.5"
HEIGHT: 0.75"
EST. WEIGHT: 1.12 lbs



1004 4-FOOT TRACK

PRODUCT DETAILS

LENGTH: 48"
WIDTH: 1.5"
HEIGHT: 0.75"
EST. WEIGHT: 1.8 lbs



1008 8-FOOT TRACK

PRODUCT DETAILS

LENGTH: 96"
WIDTH: 1.5"
HEIGHT: 0.75"
EST. WEIGHT: 3.48 lbs



-01 Black

-02 White

-S5 Platinum



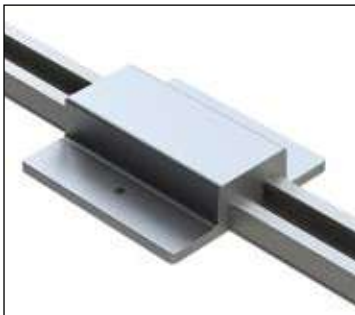
FLOATING CANOPY

- Mounts on any point along the track
- Feeds power and covers outlet box

1615

PRODUCT DETAILS

EST. WEIGHT: 0.5 lbs



1

-01 Black



2

-02 White



3

-S5 Platinum

ACCESSORIES

LIVE END CONNECTOR

- For feeding track mounted flush to surface without outlet box or canopy

1510

PRODUCT DETAILS

EST. WEIGHT: 0.18 lbs



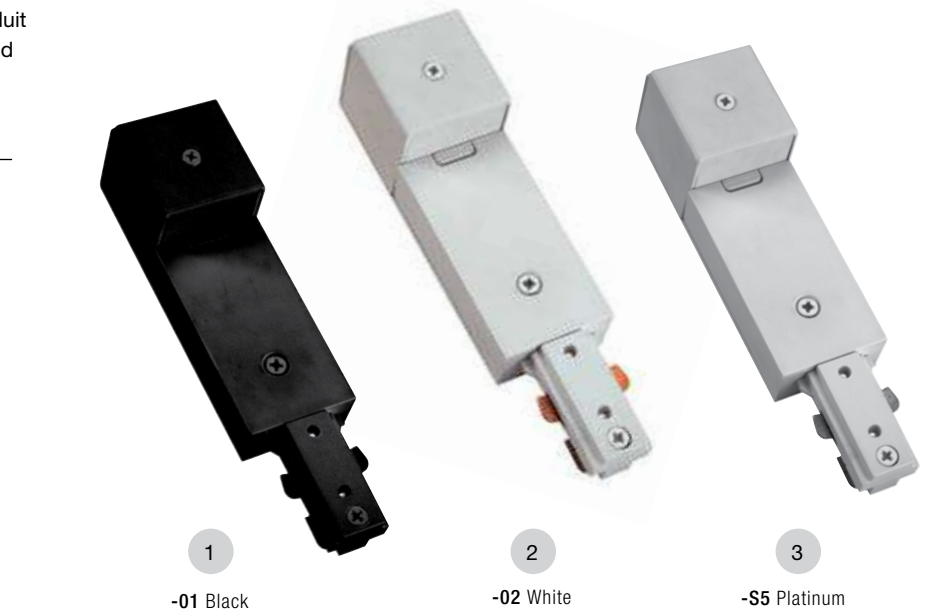
LIVE END CONDUIT

- Use with appropriate electrical conduit connector to feed power at track end
- Can be fed from the back or top

1617

PRODUCT DETAILS

EST. WEIGHT: 0.36 lbs



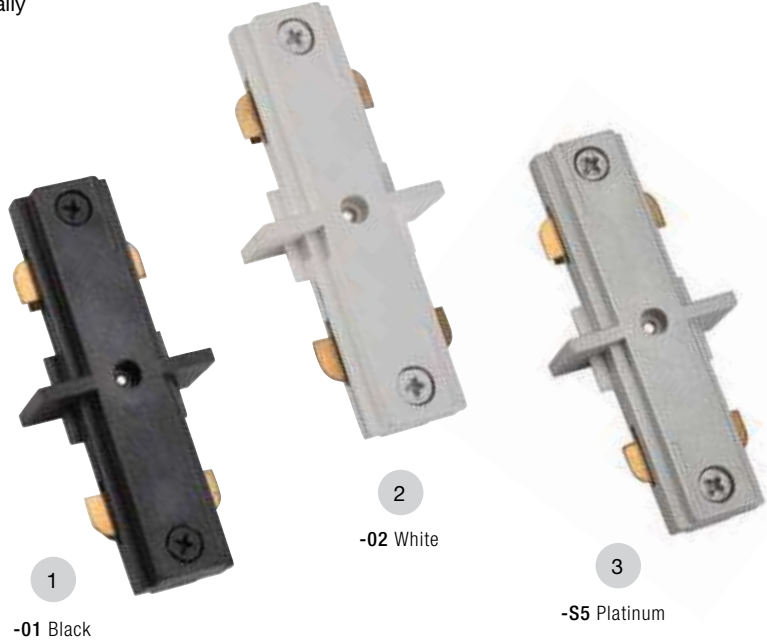
MINI CONNECTOR

- Joins two tracks mechanically and electrically
- Power cannot be fed

1560

PRODUCT DETAILS

EST. WEIGHT: 0.09 lbs



1
-01 Black

2
-02 White

3
-S5 Platinum

FLEXIBLE CONNECTOR

- For joining two tracks in a variable angle
0 to 90 degrees and feeding power

1570

PRODUCT DETAILS

EST. WEIGHT: 0.43 lbs



1
-01 Black



2
-02 White



3
-S5 Platinum

ACCESSORIES

L CONNECTOR

- For joining two tracks at a 90 degree angle and feeding power
- Allows independent feed or same circuit
- Polarized and pre-wired

1530

PRODUCT DETAILS

EST. WEIGHT: 0.31 lbs



T CONNECTOR

- For joining three tracks in "T" configuration and feeding power
- Allows independent feed or same circuit.
- Polarized and pre-wired

1540

PRODUCT DETAILS

EST. WEIGHT: 0.44 lbs



X CONNECTOR

- For joining three tracks in an "X" configuration and feeding power
- Allows independent feed or same circuit
- Polarized and pre-wired

1550

PRODUCT DETAILS

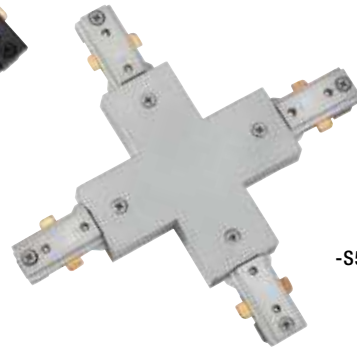
EST. WEIGHT: 0.55 lbs



1
-01 Black



2
-02 White



3
-S5 Platinum

PENDANT TRACK ADAPTOR

- Cable option 10 lbs max.
- Chain option 25 lbs max.
- Quick connects included

ADP

PRODUCT DETAILS

LENGTH: 1.5"
WIDTH: 1.5"
HEIGHT: 3.75"
EST. WEIGHT: 0.18 lbs



ADPWH White

FIXED TRACK



TK-5VTX3 50W GU10 5-LIGHT TRACK

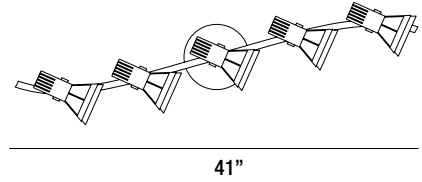
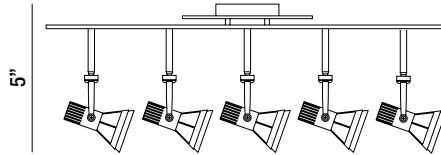
FINISHES



-34 Satin Nickel / Frost

WATTS	BULB TYPE	BULB SOCKET	VERTICAL ROTATION	HORIZONTAL ROTATION
5 X 50W	GU10	GU10	90°	350°

- Finish: available in satin nickel with frosted lens
- Adjustable direction suit different application requirements
- Bulb is included



TK-3VTX3 50W GU10 3-LIGHT TRACK

WATTS	BULB TYPE	BULB SOCKET	VERTICAL ROTATION	HORIZONTAL ROTATION
3 X 50W	GU10	GU10	90°	350°

- Finish: available in white and satin nickel with frosted lens
- Adjustable direction suit different application requirements
- Bulb is included

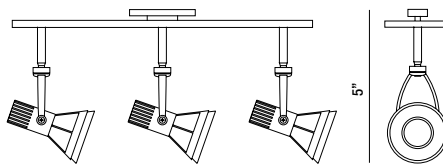
FINISHES



-02 White/Frost



-34 Satin Nickel / Frost



22 1/2"



13733 50W GU10 3-LIGHT TRACK

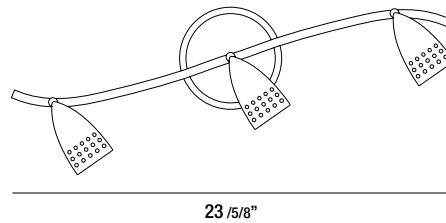
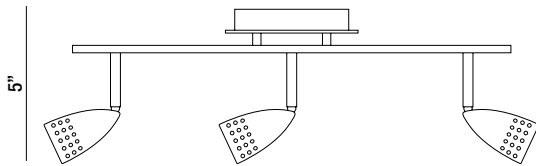
WATTS	BULB TYPE	BULB SOCKET	VERTICAL ROTATION	HORIZONTAL ROTATION
3 X 50W	GU10	GU10	90°	350°

FINISHES



-018 Satin Nickel

- Finish available in satin nickel
- Adjustable direction suit different application requirements
- Bulb is included



13732 50W GU10 3-LIGHT FLUSHMOUNT

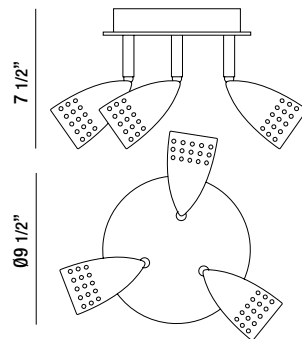
WATTS	BULB TYPE	BULB SOCKET	VERTICAL ROTATION	HORIZONTAL ROTATION
3 X 50W	GU10	GU10	90°	350°

FINISHES



-011 Satin Nickel

- Finish available in satin nickel
- Adjustable direction suit different application requirements
- Bulb is included





WALL & FLUSHMOUNTS

CEILING MOUNTS





	ITEM #	KELVIN	FINISH	SHADE	WATT	LUMEN	CRI	DIMMABLE
 	29003-30-13	3000K	SILVER	WHITE ACRYLIC	24W LED	1900lm	80+	TRIAC
 	29003-30-023	3000K	WHITE	WHITE ACRYLIC	24W LED	1900lm	80+	TRIAC
 	29002-30-028	3000K	WHITE	WHITE ACRYLIC	12W LED	950lm	80+	TRIAC


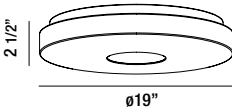

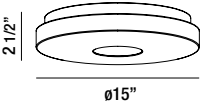
For customization please consult Eurofase

More detailed specification information and performance data is available at www.eurofase.com

CEILING MOUNTS

CIRCO **LED**

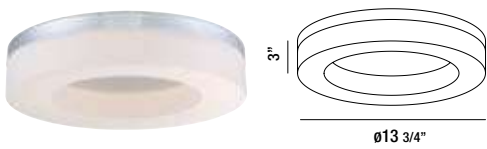


		ITEM #	KELVIN	FINISH	SHADE	WATT	LUMEN	CRI	DIMMABLE
		30131-30-019	3000K	WHITE	WHITE ACRYLIC	37W LED	3000lm	80+	TRIAC
		30131-35-019	3500K						
		30130-30-012	3000K	WHITE	WHITE ACRYLIC	22W LED	2000lm	80+	TRIAC
		30130-35-012	3500K						

For customization please consult Eurofase



ITEM # KELVIN FINISH SHADE WATT LUMEN CRI DIMMABLE



30156-012 3000K CHROME WHITE ACRYLIC 25W LED 2000lm 80+ TRIAC

Ø13 3/4"


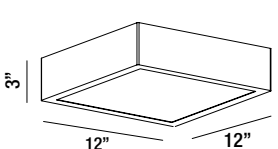
For customization please consult Eurofase


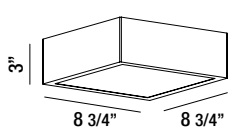
More detailed specification information and performance data is available at www.eurofase.com

CEILING MOUNTS

ACARA **LED**


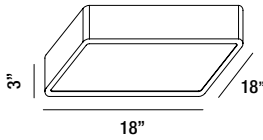

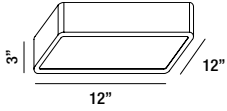

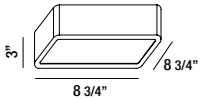


		ITEM #	KELVIN	FINISH	SHADE	WATT	LUMEN	CRI	DIMMABLE
 		30160-019	3000K	CHROME	WHITE ACRYLIC	20W LED	1330lm	80+	TRIAC

 		30159-013	3000K	CHROME	WHITE ACRYLIC	14W LED	1170lm	80+	TRIAC
---	--	-----------	-------	--------	------------------	------------	--------	-----	-------

For customization please consult Eurofase




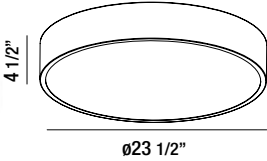

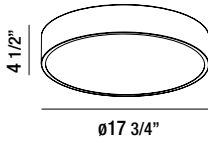
		ITEM #	KELVIN	FINISH	SHADE	WATT	LUMEN	CRI	DIMMABLE
		30163-010	3000K	CHROME	WHITE ACRYLIC	36W LED	2340lm	80+	TRIAC
		30162-013	3000K	CHROME	WHITE ACRYLIC	28W LED	1820lm	80+	TRIAC
		30161-016	3000K	CHROME	WHITE ACRYLIC	14W LED	1170lm	80+	TRIAC

For customization please consult Eurofase

More detailed specification information and performance data is available at www.eurofase.com


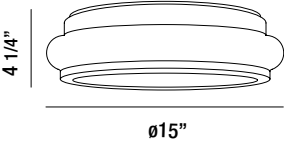

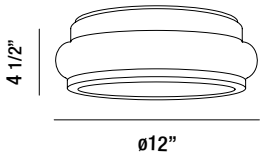
NAPOLEON LED



		ITEM #	KELVIN	FINISH	SHADE	WATT	LUMEN	CRI	DIMMABLE
 		32695-014	3000K	WHITE	WHITE ACRYLIC	40W LED	3600lm	80+	TRIAC
 		32694-017	3000K	WHITE	WHITE ACRYLIC	30W LED	2700lm	80+	TRIAC

For customization please consult Eurofase



		ITEM #	KELVIN	FINISH	SHADE	WATT	LUMEN	CRI	DIMMABLE
 		30141-018	3000K	SATIN NICKEL	OPAL WHITE GLASS	28W LED	2350lm	80+	TRIAC
 		30142-015	3000K	SATIN NICKEL	OPAL WHITE GLASS	18W LED	1580lm	80+	TRIAC

For customization please consult Eurofase


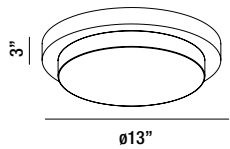
More detailed specification information and performance data is available at www.eurofase.com

WALL & FLUSHMOUNTS

CEILING MOUNTS

SALBA LED




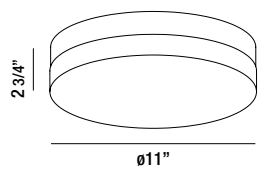
	ITEM #	KELVIN	FINISH	SHADE	WATT	LUMEN	CRI	DIMMABLE
 	30150-010	3000K	CHROME	OPAL WHITE GLASS	28W LED	2350lm	80+	TRIAC

WALL & FLUSHMOUNT

CEILING MOUNT


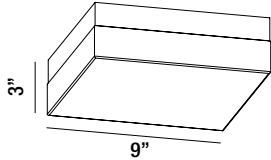

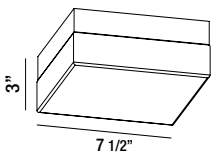
KOSS LED



	ITEM #	KELVIN	FINISH	SHADE	WATT	LUMEN	CRI	DIMMABLE
 	30152-014	3000K	CHROME	OPAL WHITE GLASS	18W LED	1600lm	80+	TRIAC

For customization please consult Eurofase



		ITEM #	KELVIN	FINISH	SHADE	WATT	LUMEN	CRI	DIMMABLE
 		30154-018	3000K	CHROME	OPAL WHITE GLASS	18W LED	1580lm	80+	TRIAC
 		30153-011	3000K	CHROME	OPAL WHITE GLASS	9W LED	790lm	80+	TRIAC


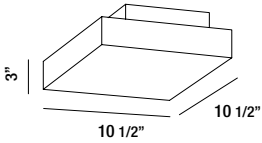

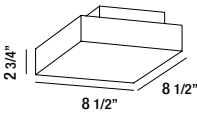
For customization please consult Eurofase

More detailed specification information and performance data is available at www.eurofase.com

CEILING MOUNTS


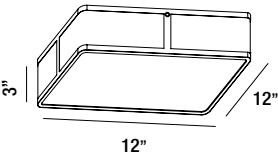

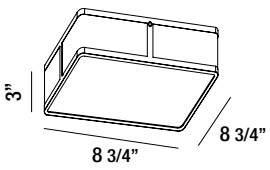
MONTI LED



		ITEM #	KELVIN	FINISH	SHADE	WATT	LUMEN	CRI	DIMMABLE
		30169-012	3000K	SATIN NICKEL	OPAL WHITE GLASS	18W LED	1580lm	80+	TRIAC
		30170-018	3000K	SATIN NICKEL	OPAL WHITE GLASS	14W LED	1170lm	80+	TRIAC

For customization please consult Eurofase



		ITEM #	KELVIN	FINISH	SHADE	WATT	LUMEN	CRI	DIMMABLE
 		30157-019	3000K	CHROME	OPAL WHITE GLASS	20W LED	1330lm	80+	TRIAC
 		30158-016	3000K	CHROME	OPAL WHITE GLASS	14W LED	1170lm	80+	TRIAC


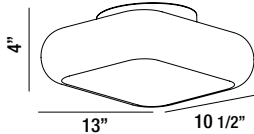

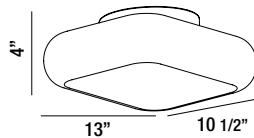
For customization please consult Eurofase

More detailed specification information and performance data is available at www.eurofase.com

CEILING MOUNTS


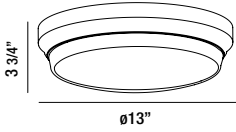

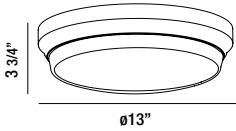

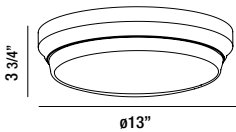
ALMA **LED**



		ITEM #	KELVIN	FINISH	SHADE	WATT	LUMEN	CRI	DIMMABLE
 		26631-011	2700K	BRONZE	OPAL WHITE GLASS	2 x 8W LED	2970lm	85+	TRIAC
 		26631-028	2700K	SATIN NICKEL	OPAL WHITE GLASS	2 x 8W LED	1300lm	85+	TRIAC

For customization please consult Eurofase




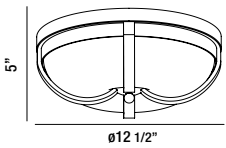

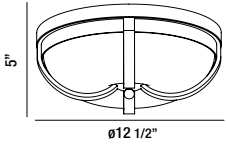
		ITEM #	KELVIN	FINISH	SHADE	WATT	LUMEN	CRI	DIMMABLE
		26634-012	2700K	BRONZE	FROSTED GLASS	12W LED	1000lm	85+	TRIAC
		26634-029	2700K	SATIN NICKEL	FROSTED GLASS	12W LED	1000lm	85+	TRIAC
		26634-036	2700K	CHROME	FROSTED GLASS	12W LED	1000lm	85+	TRIAC

For customization please consult Eurofase

More detailed specification information and performance data is available at www.eurofase.com


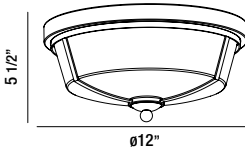

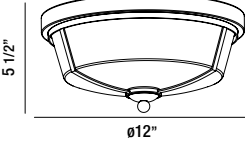
ANDREW LED



		ITEM #	KELVIN	FINISH	SHADE	WATT	LUMEN	CRI	DIMMABLE
		26637-020	2700K	BRONZE	OPAL WHITE GLASS	2 X 8W LED	1300lm	85+	TRIAC
		26637-013	2700K	SATIN NICKEL	OPAL WHITE GLASS	2 X 8W LED	1300lm	85+	TRIAC

For customization please consult Eurofase




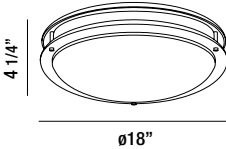

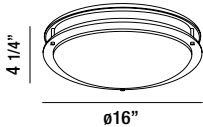

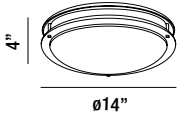
		ITEM #	KELVIN	FINISH	SHADE	WATT	LUMEN	CRI	DIMMABLE
 		26636-023	2700K	BRONZE	OPAL WHITE GLASS	2 X 8W LED	1300lm	85+	TRIAC
 		26636-016	2700K	SATIN NICKEL	OPAL WHITE GLASS	2 X 8W LED	1300lm	85+	TRIAC

For customization please consult Eurofase

More detailed specification information and performance data is available at www.eurofase.com

WARDEN LED



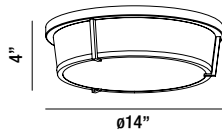
		ITEM #	KELVIN	FINISH	SHADE	WATT	LUMEN	CRI	DIMMABLE
		30126-35-015	3500K	SATIN NICKEL	WHITE ACRYLIC	27W LED	1780lm	80+	TRIAC
		30125-30-018 30125-35-018	3000K 3500K	SATIN NICKEL	WHITE ACRYLIC	20W LED	1330lm	80+	TRIAC
		30124-30-011 30124-35-011	3000K 3500K	SATIN NICKEL	WHITE ACRYLIC	13W LED	900lm	80+	TRIAC

For customization please consult Eurofase

LED JAVA



ITEM #	KELVIN	FINISH	SHADE	WATT	LUMEN	CRI	DIMMABLE
--------	--------	--------	-------	------	-------	-----	----------

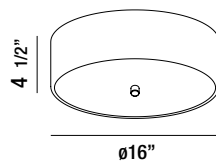


30140-011	3000K	SATIN NICKEL	WHITE ACRYLIC	18W LED	1600lm	80+	TRIAC
-----------	-------	--------------	---------------	---------	--------	-----	-------

LED ELEMENT



ITEM #	KELVIN	FINISH	SHADE	WATT	LUMEN	CRI	DIMMABLE
--------	--------	--------	-------	------	-------	-----	----------




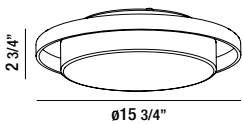

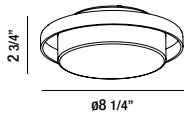
33227-30-016	3000K	BRUSHED NICKEL	FROSTED GLASS	30W LED	3150lm	80+	TRIAC
--------------	-------	----------------	---------------	---------	--------	-----	-------

For customization please consult Eurofase

More detailed specification information and performance data is available at www.eurofase.com

LOGEN LED

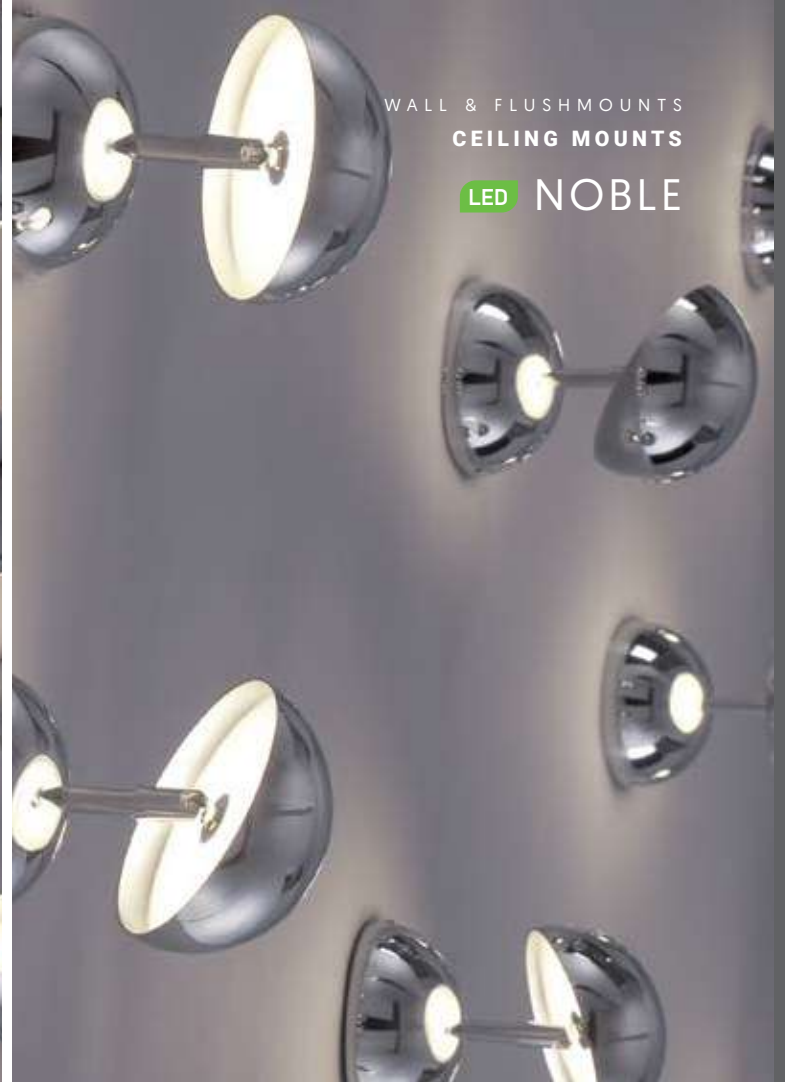


		ITEM #	KELVIN	FINISH	SHADE	WATT	LUMEN	CRI	DIMMABLE
 		29816-019	3000K	WHITE	CLEAR AND OPAL WHITE GLASS	20W LED	1600lm	80+	TRIAC
 		29815-012	3000K	WHITE	CLEAR AND OPAL WHITE GLASS	7.5W LED	675lm	80+	TRIAC

For customization please consult Eurofase



1. Ceiling Mount Option



2. Wall Mount Option

WALL & FLUSHMOUNTS
 CEILING MOUNTS
LED NOBLE

WALL & FLUSHMOUNTS - CEILING MOUNTS


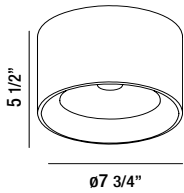

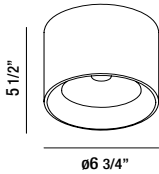
	ITEM #	LUMEN	FINISH	SHADE	WATT	KELVIN	CRI	DIMMABLE	INSTALLATION
	28157-014	540lm	CHROME	Frosted Lens	6W LED	4000K	80+	NO	WALL AND CEILING

For customization please consult Eurofase

More detailed specification information and performance data is available at www.eurofase.com


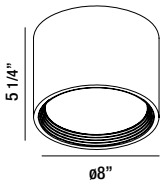
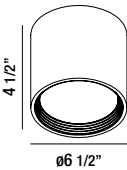
PARKWAY **LED**



		ITEM #	KELVIN	FINISH	SHADE	WATT	LUMEN	CRI	DIMMABLE
 		32682-014	3000K	WHITE	CLEAR LENS	25W LED	2260lm	80+	TRIAC
 		32681-017	3000K	WHITE	CLEAR LENS	20W LED	1960lm	80+	TRIAC

For customization please consult Eurofase



		ITEM #	KELVIN	FINISH	SHADE	WATT	LUMEN	CRI	DIMMABLE
		32684-018	3000K	WHITE	FROSTED GLASS	25W LED	3160lm	80+	TRIAC
		32683-011	3000K	WHITE	FROSTED GLASS	20W LED	2640lm	80+	TRIAC

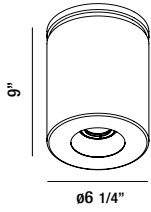

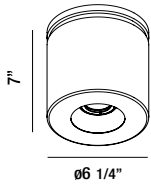
For customization please consult Eurofase

More detailed specification information and performance data is available at www.eurofase.com

CEILING MOUNTS

LOTUS LED




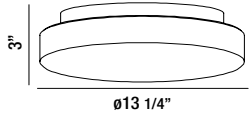

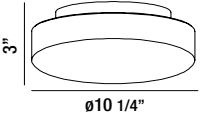
		ITEM #	KELVIN	FINISH	SHADE	WATT	LUMEN	CRI	DIMMABLE
 		30309-012	3000K	WHITE	CLEAR LENS	26W LED	3110lm	80+	TRIAC
 		30310-018*	3000K	WHITE	CLEAR LENS	9W LED	1050lm	80+	TRIAC

* Horizontal adjustment: 0° - 20°

For customization please consult Eurofase

RAMATA


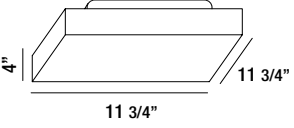

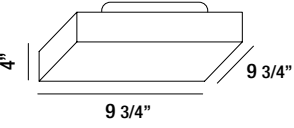

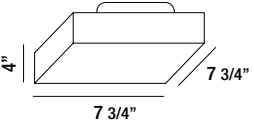


		ITEM #	FINISH	SHADE	WATT	SOCKET	BULB
 		26145-013	WHITE	OPAL WHITE GLASS	2 X 60W	E26	A19 (Not Included)
 		26144-016	WHITE	OPAL WHITE GLASS	1 X 60W	E26	A19 (Not Included)

CEILING MOUNTS


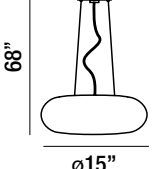


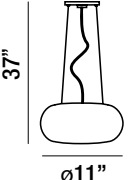
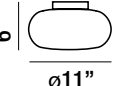
AMATA



		ITEM #	FINISH	SHADE	WATT	SOCKET	BULB
		16620-048	WHITE	OPAL WHITE GLASS	2 X 60W	E26	A19 (Not Included)
		16621-015	WHITE	OPAL WHITE GLASS	1 X 60W	E26	A19 (Not Included)
		16622-012	WHITE	OPAL WHITE GLASS	1 X 60W	E26	A19 (Not Included)

* 2 in 1 Convertible
Pendant to Flushmount


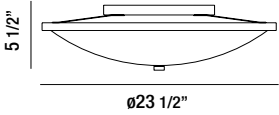


	ITEM #	FINISH	SHADE	WATT	SOCKET	BULB
  	12895-052*	CHROME	OPAL WHITE GLASS	3 X 60W	E26	A19 (Not Included)
  	12894-055*	CHROME	OPAL WHITE GLASS	2 X 60W	E26	A19 (Not included)

CEILING MOUNTS

BLANKO


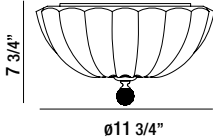


	ITEM #	FINISH	SHADE	WATT	SOCKET	BULB
 	20371-029	SATIN NICKEL	OPAL WHITE GLASS	5 X 60W	E26	A19 (Not Included)

CEILING MOUNTS

AURORA



	ITEM #	FINISH	SHADE	WATT	SOCKET	BULB
 	23222-014	CHROME	CLEAR GLASS	2 X 60W	E12	B10 (Not Included)

LED SPHERE



	ITEM #	KELVIN	FINISH	SHADE	WATT	LUMEN	CRI	DIMMABLE
	25676-013	3200K	CHROME	CLEAR FROSTED GLASS	9 X 2.3W LED	1287lm	85+	NO

LED CUBE



	ITEM #	KELVIN	FINISH	SHADE	WATT	LUMEN	CRI	DIMMABLE
	25675-016	3200K	CHROME	CLEAR FROSTED GLASS	6 X 2.3W LED	858lm	85+	NO


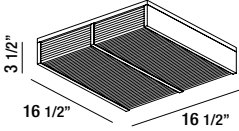

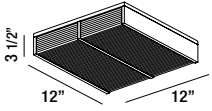
For customization please consult Eurofase

More detailed specification information and performance data is available at www.eurofase.com

CEILING MOUNTS


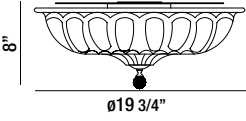

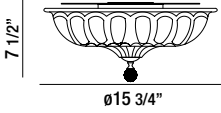
WYNN **LED**



		ITEM #	KELVIN	FINISH	SHADE	WATT	LUMEN	CRI	DIMMABLE
 		31811-019	3000K	CHROME	CLEAR GLASS	36W LED	1780lm	80+	TRIAC
 		31810-012	3000K	CHROME	CLEAR GLASS	28W LED	1330lm	80+	TRIAC

For customization please consult Eurofase



		ITEM #	FINISH	SHADE	WATT	SOCKET	BULB
 		22944-016	CHROME	CLEAR GLASS	3 X 60W	E12	B10 (Not Included)
 		22943-019	CHROME	CLEAR GLASS	3 X 60W	E12	B10 (Not Included)

SAVVY



	ITEM #	FINISH	SHADE	WATT	SOCKET	BULB
 	15330-045	SATIN NICKEL	WHITE FAUX-SUEDE DRUM	3 X 60W	E26	A19 (Not Included)



	ITEM #	FINISH	SHADE	WATT	SOCKET	BULB
 	30033-016*	AGED SILVER	METAL	60W	E26	EDISON BULB (Included)

*Comes with 3"+6"+12"+18" Extension Rods

OPTIONS			INCLUDED		
					

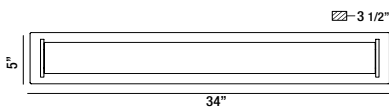
WALL & FLUSHMOUNTS

WALL MOUNTS

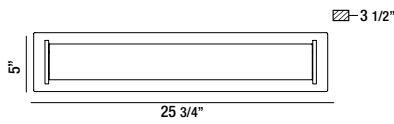




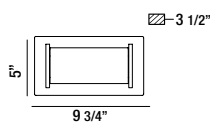
ITEM #	KELVIN	FINISH	SHADE	WATT	LUMEN	CRI	DIMMABLE	INSTALLATION
--------	--------	--------	-------	------	-------	-----	----------	--------------



31637-015	3000K	CHROME	WHITE ACRYLIC	36W LED	2240lm	80+	TRIAC	VERTICAL AND HORIZONTAL
-----------	-------	--------	---------------	---------	--------	-----	-------	-------------------------



31636-018	3000K	CHROME	WHITE ACRYLIC	27W LED	1680lm	80+	TRIAC	VERTICAL AND HORIZONTAL
-----------	-------	--------	---------------	---------	--------	-----	-------	-------------------------



31634-014	3000K	CHROME	WHITE ACRYLIC	7W LED	420lm	80+	TRIAC	VERTICAL AND HORIZONTAL
-----------	-------	--------	---------------	--------	-------	-----	-------	-------------------------

For customization please consult Eurofase

More detailed specification information and performance data is available at www.eurofase.com

WALL MOUNTS

PHILIP **LED**




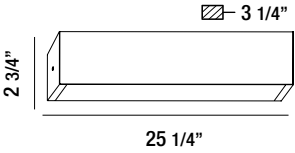

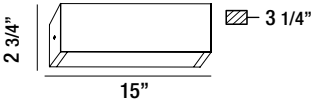
	ITEM #	KELVIN	FINISH	SHADE	WATT	LUMEN	CRI	DIMMABLE	INSTALLATION
	32878-011	3000K	CHROME	FROSTED ACRYLIC	17W LED	1780lm	80+	TRIAC	VERTICAL AND HORIZONTAL
	32877-014	3000K	CHROME	FROSTED ACRYLIC	12W LED	1260lm	80+	TRIAC	VERTICAL AND HORIZONTAL
	32876-017	3000K	CHROME	FROSTED ACRYLIC	9W LED	945lm	80+	TRIAC	VERTICAL AND HORIZONTAL

For customization please consult Eurofase



* Up/Down Lighting



	ITEM #	KELVIN	FINISH	SHADE	WATT	LUMEN	CRI	DIMMABLE	INSTALLATION
 	32122-015*	3000K	CHROME	FROSTED GLASS	27W LED	2400lm	80+	TRIAC	VERTICAL AND HORIZONTAL
 	32121-018*	3000K	CHROME	FROSTED GLASS	13W LED	1200lm	80+	TRIAC	VERTICAL AND HORIZONTAL

For customization please consult Eurofase


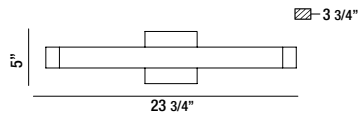

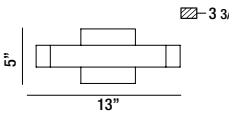
More detailed specification information and performance data is available at www.eurofase.com

WALL MOUNTS

MONI **LED**



ADA
Americans with Disabilities Act

	ITEM #	KELVIN	FINISH	SHADE	WATT	LUMEN	CRI	DIMMABLE	INSTALLATION
 	31818-018*	3000K	ALUMINUM	FROSTED GLASS	14W LED	1270lm	80+	TRIAC	VERTICAL AND HORIZONTAL
 	31817-011*	3000K	ALUMINUM	FROSTED GLASS	9W LED	850lm	80+	TRIAC	VERTICAL AND HORIZONTAL

For customization please consult Eurofase



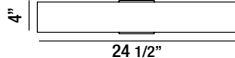
* Up/Down Lighting



ITEM #	KELVIN	FINISH	SHADE	WATT	LUMEN	CRI	DIMMABLE	INSTALLATION
--------	--------	--------	-------	------	-------	-----	----------	--------------



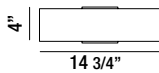
2 7/8"



30144-019*	3000K	ALUMINUM	ALUMINUM	12W LED	1020lm	80+	TRIAC	VERTICAL AND HORIZONTAL
------------	-------	----------	----------	---------	--------	-----	-------	-------------------------



2 3/4"



30143-012*	3000K	ALUMINUM	ALUMINUM	6W LED	510lm	80+	TRIAC	VERTICAL AND HORIZONTAL
------------	-------	----------	----------	--------	-------	-----	-------	-------------------------

For customization please consult Eurofase

More detailed specification information and performance data is available at www.eurofase.com

WALL MOUNTS

SAVONA LED

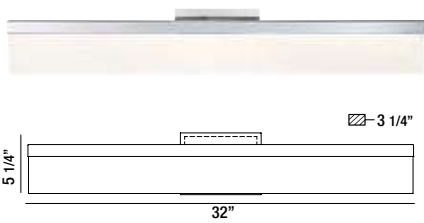


	ITEM #	KELVIN	FINISH	SHADE	WATT	LUMEN	CRI	DIMMABLE	INSTALLATION
 	31812-016	3000K	CHROME	FROSTED ACRYLIC	24W LED	1600lm	80+	TRIAC	VERTICAL AND HORIZONTAL
 	30185-012	3000K	CHROME	FROSTED ACRYLIC	12W LED	1200lm	80+	TRIAC	VERTICAL AND HORIZONTAL

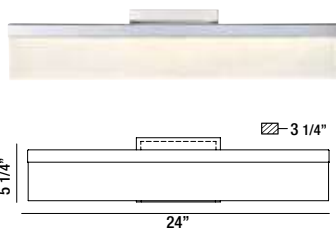
For customization please consult Eurofase



ITEM # KELVIN FINISH SHADE WATT LUMEN CRI DIMMABLE INSTALLATION



31805-018 3000K CHROME FROSTED ACRYLIC 30W LED 2850lm 80+ TRIAC UPWARD AND DOWNWARD



31804-011 3000K CHROME FROSTED ACRYLIC 23W LED 2185lm 80+ TRIAC UPWARD AND DOWNWARD

For customization please consult Eurofase

More detailed specification information and performance data is available at www.eurofase.com


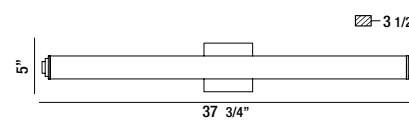

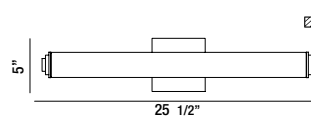

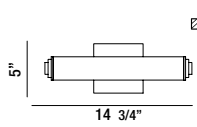
WALL MOUNTS

RAY LED

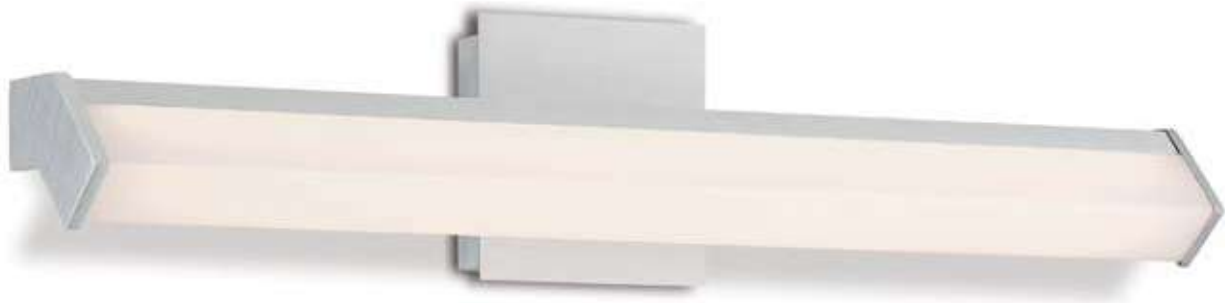


BOTH END CAPS INCLUDED

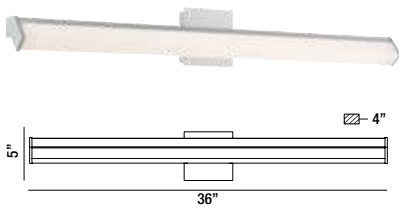


	ITEM #	KELVIN	FINISH	SHADE	WATT	LUMEN	CRI	DIMMABLE	INSTALLATION
 	31814-010	3000K	ALUMINUM	WHITE ACRYLIC	16W LED	1445lm	80+	TRIAC	VERTICAL AND HORIZONTAL
 	30190-016	3000K	ALUMINUM	WHITE ACRYLIC	10W LED	1020lm	80+	TRIAC	VERTICAL AND HORIZONTAL
 	30191-013	3000K	ALUMINUM	WHITE ACRYLIC	7W LED	680lm	80+	TRIAC	VERTICAL AND HORIZONTAL

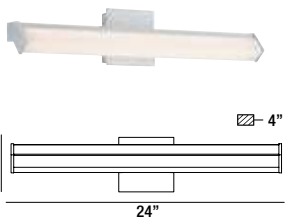
For customization please consult Eurofase



ITEM #	KELVIN	FINISH	SHADE	WATT	LUMEN	CRI	DIMMABLE	INSTALLATION
--------	--------	--------	-------	------	-------	-----	----------	--------------



30194-014	3000K	ALUMINUM	WHITE ACRYLIC	16W LED	1445lm	80+	TRIAC	DOWNWARD
-----------	-------	----------	---------------	---------	--------	-----	-------	----------



31816-014	3000K	ALUMINUM	WHITE ACRYLIC	10W LED	1020lm	80+	TRIAC	DOWNWARD
-----------	-------	----------	---------------	---------	--------	-----	-------	----------


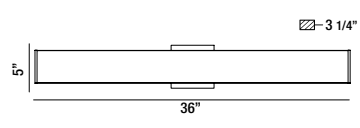

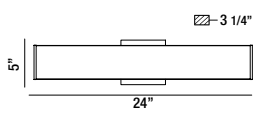
For customization please consult Eurofase

More detailed specification information and performance data is available at www.eurofase.com

WALL MOUNTS

AIM LED

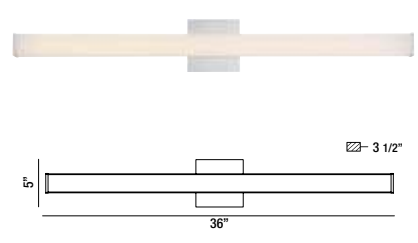


	ITEM #	KELVIN	FINISH	SHADE	WATT	LUMEN	CRI	DIMMABLE	INSTALLATION
 	31813-013	3000K	ALUMINUM	WHITE ACRYLIC	21W LED	2040lm	80+	TRIAC	VERTICAL AND HORIZONTAL
 	30187-016	3000K	ALUMINUM	WHITE ACRYLIC	14W LED	1275lm	80+	TRIAC	VERTICAL AND HORIZONTAL

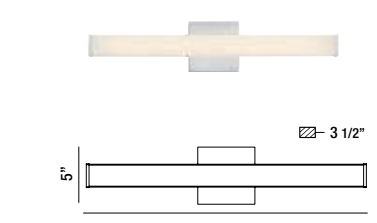
For customization please consult Eurofase



ITEM #	KELVIN	FINISH	SHADE	WATT	LUMEN	CRI	DIMMABLE	INSTALLATION
--------	--------	--------	-------	------	-------	-----	----------	--------------



30192-010	3000K	ALUMINUM	WHITE ACRYLIC	16W LED	1440lm	80+	TRIAC	VERTICAL AND HORIZONTAL
-----------	-------	----------	------------------	------------	--------	-----	-------	-------------------------------



31815-017	3000K	ALUMINUM	WHITE ACRYLIC	10W LED	1020lm	80+	TRIAC	VERTICAL AND HORIZONTAL
-----------	-------	----------	------------------	------------	--------	-----	-------	-------------------------------

For customization please consult Eurofase

More detailed specification information and performance data is available at www.eurofase.com

WALL MOUNTS

ZUMA **LED**



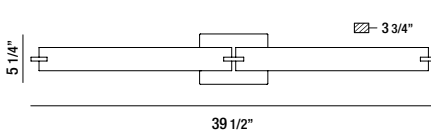
	ITEM #	KELVIN	FINISH	SHADE	WATT	LUMEN	CRI	DIMMABLE	INSTALLATION
	30180-017	3000K	CHROME	OPAL WHITE GLASS	30W LED	2550lm	80+	TRIAC	VERTICAL AND HORIZONTAL
	30180-024	3000K	SATIN NICKEL	OPAL WHITE GLASS	30W LED	2550lm	80+	TRIAC	VERTICAL AND HORIZONTAL

For customization please consult Eurofase

ZUMA



ITEM #	FINISH	SHADE	WATT	SOCKET	BULB	INSTALLATION
--------	--------	-------	------	--------	------	--------------



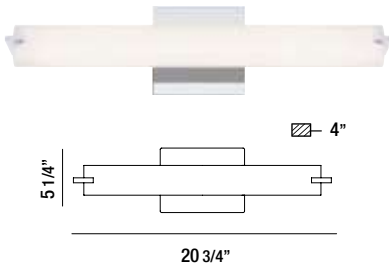
23273-030	OIL RUBBED BRONZE	OPAL WHITE GLASS	6 X 40W	G9	G9 (Included)	VERTICAL AND HORIZONTAL
-----------	-------------------	------------------	---------	----	---------------	-------------------------

WALL MOUNTS

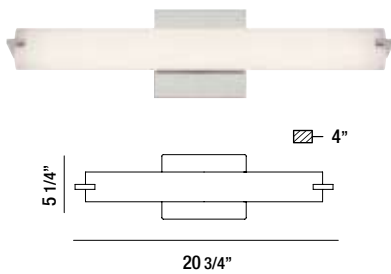
ZUMA LED



ITEM #	KELVIN	FINISH	SHADE	WATT	LUMEN	CRI	DIMMABLE	INSTALLATION
--------	--------	--------	-------	------	-------	-----	----------	--------------



30179-011	3200K	CHROME	OPAL WHITE GLASS	15W LED	1270lm	80+	TRIAC	VERTICAL AND HORIZONTAL
-----------	-------	--------	------------------	---------	--------	-----	-------	-------------------------



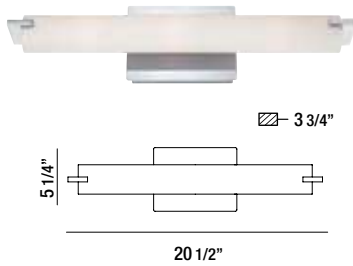
30179-028	3200K	SATIN NICKEL	OPAL WHITE GLASS	15W LED	1270lm	80+	TRIAC	VERTICAL AND HORIZONTAL
-----------	-------	--------------	------------------	---------	--------	-----	-------	-------------------------

For customization please consult Eurofase

ZUMA



ITEM #	FINISH	SHADE	WATT	SOCKET	BULB	INSTALLATION
--------	--------	-------	------	--------	------	--------------



23272-019

CHROME

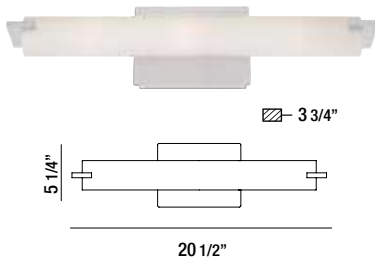
OPAL
WHITE
GLASS

3 X 40W

G9

G9
(Included)

VERTICAL
AND
HORIZONTAL



23272-026

BRUSHED
NICKEL

OPAL
WHITE
GLASS

3 X 40W

G9


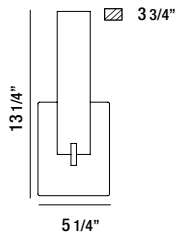

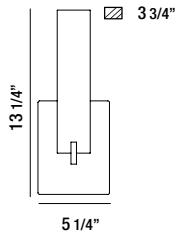
G9
(Included)

VERTICAL
AND
HORIZONTAL

WALL MOUNTS

ZUMA LED


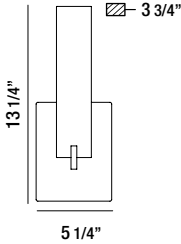

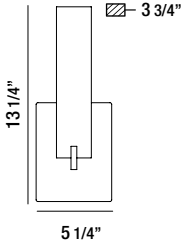

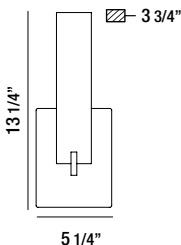


	ITEM #	KELVIN	FINISH	SHADE	WATT	LUMEN	CRI	DIMMABLE	INSTALLATION
 	30181-014	3200K	CHROME	OPAL WHITE GLASS	8W LED	680lm	80+	TRIAC	UPWARD
 	30181-021	3200K	SATIN NICKEL	OPAL WHITE GLASS	8W LED	680lm	80+	TRIAC	UPWARD

For customization please consult Eurofase

ZUMA



ITEM #	FINISH	SHADE	WATT	SOCKET	BULB	INSTALLATION
 	23271-012	CHROME	OPAL WHITE GLASS	2 X 40W	G9 (Included)	UPWARD
 	23271-029	BRUSHED NICKEL	OPAL WHITE GLASS	2 X 40W	G9 (Included)	UPWARD
 	23271-036	OIL RUBBED BRONZE	OPAL WHITE GLASS	2 X 40W	G9 (Included)	UPWARD

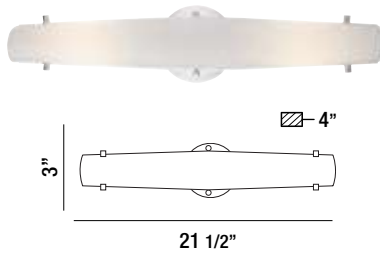
WALL & FLUSHMOUNTS

WALL MOUNTS

ABSOLVE LED



ITEM #	KELVIN	FINISH	SHADE	WATT	LUMEN	CRI	DIMMABLE	INSTALLATION
--------	--------	--------	-------	------	-------	-----	----------	--------------



33228-013	3000K	CHROME	OPAL WHITE GLASS	20W LED	1600lm	80+	TRIAC	VERTICAL AND HORIZONTAL
-----------	-------	--------	------------------------	------------	--------	-----	-------	-------------------------------

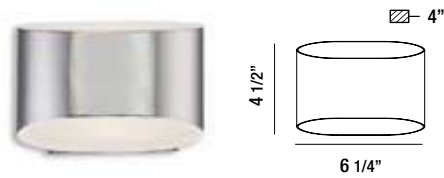
WALL & FLUSHMOUNT

WALL MOUNTS

ARCH LED



ITEM #	KELVIN	FINISH	SHADE	WATT	LUMEN	CRI	DIMMABLE	INSTALLATION
--------	--------	--------	-------	------	-------	-----	----------	--------------

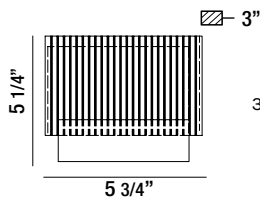


30148-017	3000K	CHROME	WHITE ACRYLIC	9W LED	790lm	80+	TRIAC	VERTICAL AND HORIZONTAL
-----------	-------	--------	------------------	-----------	-------	-----	-------	-------------------------------

For customization please consult Eurofase



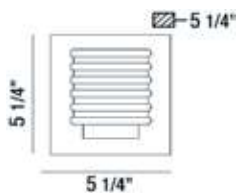
ITEM #	KELVIN	FINISH	SHADE	WATT	LUMEN	CRI	DIMMABLE	INSTALLATION
--------	--------	--------	-------	------	-------	-----	----------	--------------



31438-018	4000K	CHROME	CLEAR ACRYLIC	6W LED	500lm	80+	TRIAC	UPWARD
-----------	-------	--------	------------------	-----------	-------	-----	-------	--------



ITEM #	KELVIN	FINISH	SHADE	WATT	LUMEN	CRI	DIMMABLE	INSTALLATION
--------	--------	--------	-------	------	-------	-----	----------	--------------



31789-011	3000K	CHROME	CLEAR ACRYLIC	10W LED	1020lm	80+	TRIAC	UPWARD
-----------	-------	--------	------------------	------------	--------	-----	-------	--------

For customization please consult Eurofase

More detailed specification information and performance data is available at www.eurofase.com

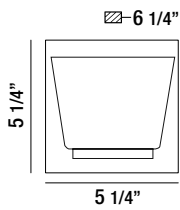
WALL & FLUSHMOUNTS

WALL MOUNTS

TRENT LED



ITEM #	KELVIN	FINISH	SHADE	WATT	LUMEN	CRI	DIMMABLE	INSTALLATION
--------	--------	--------	-------	------	-------	-----	----------	--------------



31800-013	3000K	CHROME	CLEAR GLASS	7W LED	750lm	80+	TRIAC	UPWARD
-----------	-------	--------	-------------	--------	-------	-----	-------	--------

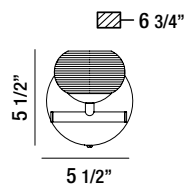
WALL & FLUSHMOUNT

WALL MOUNTS

MARCHE LED



ITEM #	KELVIN	FINISH	SHADE	WATT	LUMEN	CRI	DIMMABLE	INSTALLATION
--------	--------	--------	-------	------	-------	-----	----------	--------------



31793-018	3000K	CHROME	FROSTED GLASS	7W LED	840lm	80+	TRIAC	UPWARD
-----------	-------	--------	---------------	--------	-------	-----	-------	--------

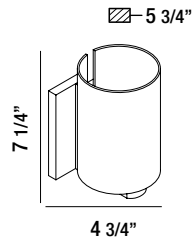
For customization please consult Eurofase

WALL MOUNTS

LED PILOS



ITEM # KELVIN FINISH SHADE WATT LUMEN CRI DIMMABLE INSTALLATION



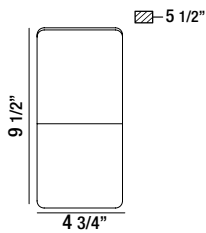
33230-016 3000K CHROME OPAL WHITE GLASS 6W LED 400lm 80+ TRIAC UPWARD

WALL MOUNTS

LED DEROY



ITEM # KELVIN FINISH SHADE WATT LUMEN CRI DIMMABLE INSTALLATION



30146-013 3000K ALUMINUM ALUMINUM 5W LED 425lm 80+ TRIAC UPWARD

For customization please consult Eurofase

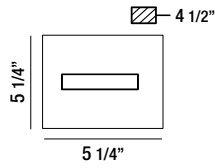
More detailed specification information and performance data is available at www.eurofase.com

WALL MOUNTS

OLSON LED



ITEM #	KELVIN	FINISH	SHADE	WATT	LUMEN	CRI	DIMMABLE	INSTALLATION
--------	--------	--------	-------	------	-------	-----	----------	--------------



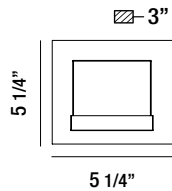
28019-015	3000K	CHROME	FROSTED ACRYLIC	5W LED	350lm	80+	TRIAC	VERTICAL AND HORIZONTAL
-----------	-------	--------	-----------------	--------	-------	-----	-------	-------------------------

WALL MOUNTS

HARMEN LED



ITEM #	KELVIN	FINISH	SHADE	WATT	LUMEN	CRI	DIMMABLE	INSTALLATION
--------	--------	--------	-------	------	-------	-----	----------	--------------



28023-012	3000K	SATIN NICKEL	FROSTED ACRYLIC	5W LED	350lm	80+	TRIAC	UPWARD
-----------	-------	--------------	-----------------	--------	-------	-----	-------	--------

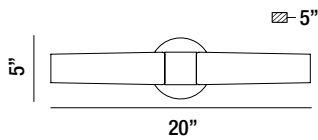
For customization please consult Eurofase

VESPER

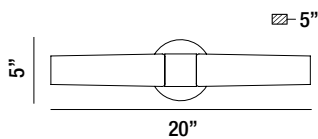


WALL & FLUSHMOUNTS - WALL MOUNTS

ITEM # FINISH SHADE WATT SOCKET BULB INSTALLATION



23274-013 CHROME OPAL WHITE GLASS 2 X 60W E26 T10 (Not Included) VERTICAL AND HORIZONTAL



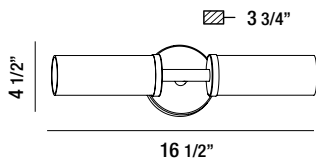
23274-020 BRUSHED NICKEL OPAL WHITE GLASS 2 X 60W E26 T10 (Not Included) VERTICAL AND HORIZONTAL

WALL MOUNTS

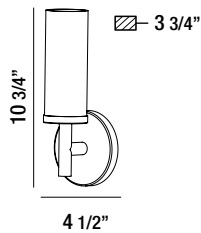
SYDNEY



ITEM #	FINISH	SHADE	WATT	SOCKET	BULB	INSTALLATION
--------	--------	-------	------	--------	------	--------------

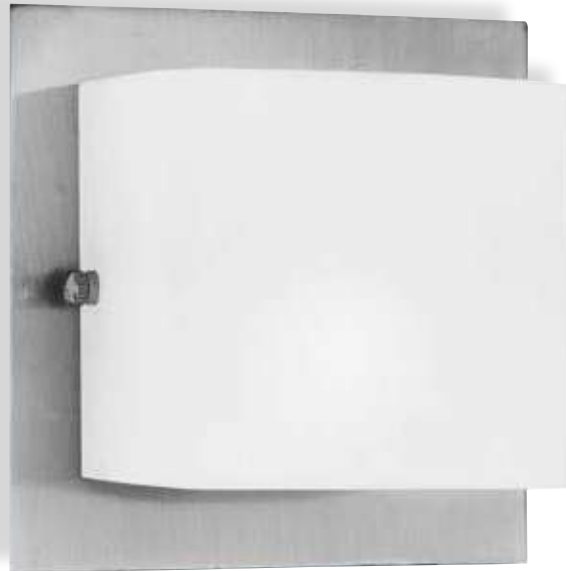



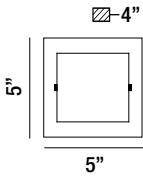

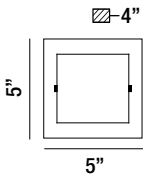
SC-2SNE-25	CHROME	OPAL WHITE GLASS	2 X 60W	E26	B13 (Not Included)	VERTICAL AND HORIZONTAL
------------	--------	------------------	---------	-----	--------------------	-------------------------



SC-1SNE-25	CHROME	OPAL WHITE GLASS	60W	E26	B13 (Not Included)	UPWARD
------------	--------	------------------	-----	-----	--------------------	--------

TALO



		ITEM #	FINISH	SHADE	WATT	SOCKET	BULB	INSTALLATION
 	19424-019	CHROME	OPAL WHITE GLASS	60W	G9	G9 (Included)	UPWARD	
 	19424-026	SATIN NICKEL	OPAL WHITE GLASS	60W	G9	G9 (Included)	UPWARD	

WALL & FLUSHMOUNTS

WALL MOUNTS

ZINCO



	ITEM #	FINISH	SHADE	WATT	SOCKET	BULB	INSTALLATION
	30032-019	AGED SILVER	METAL	60W	E26	EDISON BULB (Included)	DOWNWARD

OPTIONS			INCLUDED		

WALL & FLUSHMOUNT

WALL MOUNTS

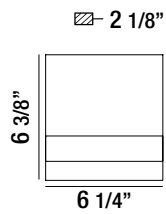
SOLO



	ITEM #	FINISH	SHADE	WATT	SOCKET	BULB	INSTALLATION
	23070-011	BRUSHED NICKEL	WHITE FABRIC	2 X 60W	E26	A19	UPWARD



ITEM #	FINISH	SHADE	WATT	LUMEN	KELVIN	CRI	DIMMABLE	INSTALLATION
--------	--------	-------	------	-------	--------	-----	----------	--------------



30168-015*	CHROME	CLEAR ACRYLIC	2W LED	170lm	3000K	80+	NO	UPWARD
------------	--------	---------------	--------	-------	-------	-----	----	--------

*Contact Eurofase for custom designs

More detailed specification information and performance data is available at www.eurofase.com



LED MIRRORS

EFFICIENT SOURCE OF LIGHTING

LED mirrors provide full illumination and highlight your entire space with clear and even lighting. Choosing Eurofase LED mirrors is a simple way to add a touch of elegance, sophistication, and boldness.

More than just a bathroom accessory, our mirrors can be placed in various other areas. Try using them to elevate a foyer, bedroom, dressing room, bathroom, or hospitality setting.

FEATURES

KEY ASSETS



TOUCH SENSOR SWITCH

A touch sensor switch is one of the simplest kinds of tactile sensors, sensitive to touch, force or pressure. An integrated touch switch controls ON/OFF states as well as dimming options.



DURABILITY

Bathrooms typically generate a lot of steam and moisture. This is why it is important to incorporate mirrors that prevent those spotty unattractive edges like our copper free mirrors which counteracts black edge corrosion.



ROCKER SWITCH

A rocker switch is a spring-loaded electrical ON/OFF switch that rocks back and forth. Our waterproof ON/OFF switch offers 3 states: off, 3000K, and 4000K.

CCT CCT OPTION

Correlated color temperature (CCT) is the term used to reference the color of light. All our mirrors come with CCT or the option to add it and can be accessed with the touch of a finger. Available in 3000K, 4500K, and 6400K.



MIRROR IMAGE

Mirrors form perfect images unless they are imperfectly constructed. At Eurofase we use high quality mirrors made of distortion free glass for clarity.



NO SHADOWS

Regular fixtures in bathrooms often create shadows, altering the clarity of your reflection. A back-lit mirror will provide full illumination and highlight your entire face with clear and even light. That is why LED back-lit mirrors are a top choice for makeup artists and hairstylists.



STYLE

Choosing a Eurofase LED mirror is a simple way to add a touch of elegance, sophistication, modernity, and minimalistic style to your space. We carry a variety of mirrors to suit every need ranging from cabinets, free-standing, tri-folds and standard mirrors with an array of styles to suit your space.

CCT



Correlated color temperature (CCT) defines the color appearance of a white LED. Color temperature is specified in Kelvin. Depending on its CCT, the light will either be classified as warm, neutral, or cool.

Light your space with carefully crafted mirrors that house an integrated touch screen for correlated color temperature options. With dimmable capabilities, our LED mirrors are soft enough to serve as a night light and bright enough for full daytime illumination.

From a warm white to cool white, you can customize your lighting for specific uses and see things under a new light with just a touch of a finger. The ability to control light color allows for better viewing and clarity as colors appear differently under different lighting conditions.

From 2700K

To 6500K



LIGHT CLASSIFICATION

WARM

NEUTRAL

COOL

AMBIANCE

Areas that need low light intensity for a cozy, calm, inviting and intimate space

Light intensity applications for bright and vibrant mood

Special applications that need high light intensity and good color rendition for a crisp and invigorating space

EFFECTS ON COLORS

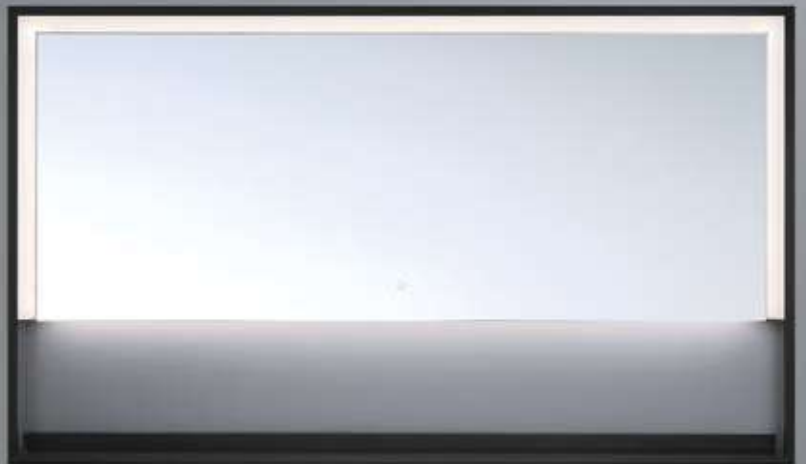
-Enhances reds & oranges
-Blues appear darker
-Orange/yellow tint to whites and greens

-Enhances most colors equally
-Does not favor yellow or blue
-Neutral appearance

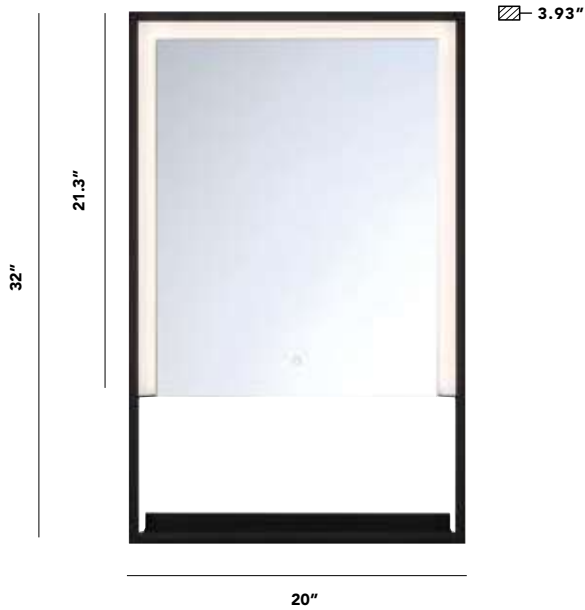
-Enhances blues
-Flattens reds
-Bluish tint to whites and greens

FULL RANGE CCT

Our new collection of mirrors are now available in a full range CCT. This means that there are more color temperatures to choose from than just the standard 3000K, 4500K, and 6400K that were previously offered. Just press and hold the touch sensor for the desired temperature that perfectly matches your every need.

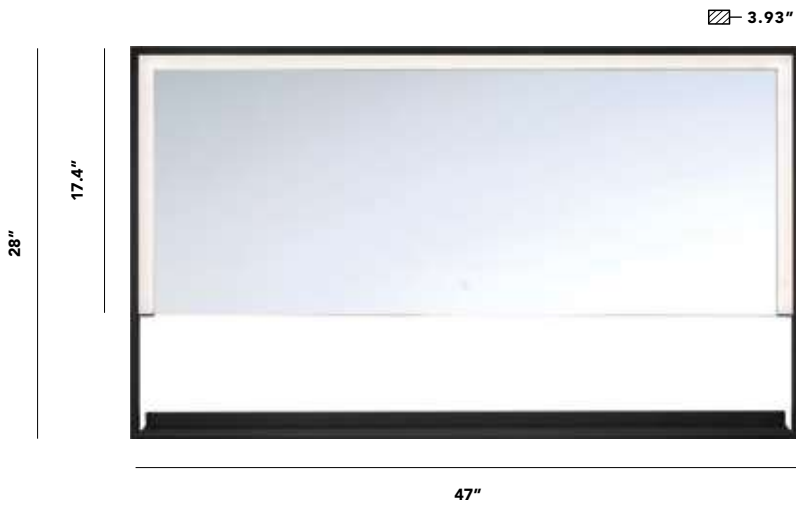


LED LED Lights
Touch Sensor Switch
CCT TCC Correlated Color Temperature
Suitable for Damp Location
Defogger



37136-017
LED MIRROR WITH BUILT-IN SHELF

Wattage	23.4W
CRI	80+
CCT	2700K to 6500K
Initial Lumen	2340lm
Switch Type	Touch Sensor
Dimmable	No
Defogger	Yes
Location	Damp



37137-014
LED MIRROR WITH BUILT-IN SHELF

Wattage	33W
CRI	80+
CCT	2700K to 6500K
Initial Lumen	3300lm
Switch Type	Touch Sensor
Dimmable	No
Defogger	Yes
Location	Damp

More detailed specification information and performance data is available at www.eurofase.com

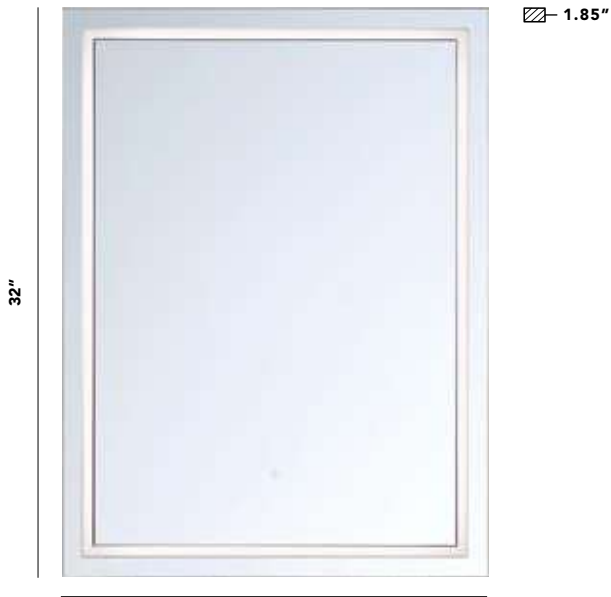
From 2700K

To 6500K



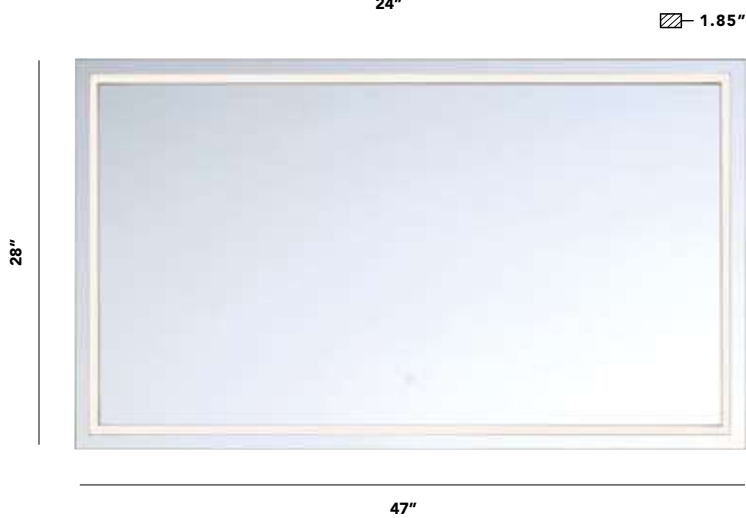


LED LED Lights
Touch Sensor Switch
CCT TCC Correlated Color Temperature
Suitable for Damp Location
Defogger



37138-011
RECTANGULAR BACK-LIT LED MIRROR

Wattage	27W
CRI	80+
CCT	2700K to 6500K
Initial Lumen	2700lm
Switch Type	Touch Sensor
Dimmable	No
Defogger	Yes
Location	Damp



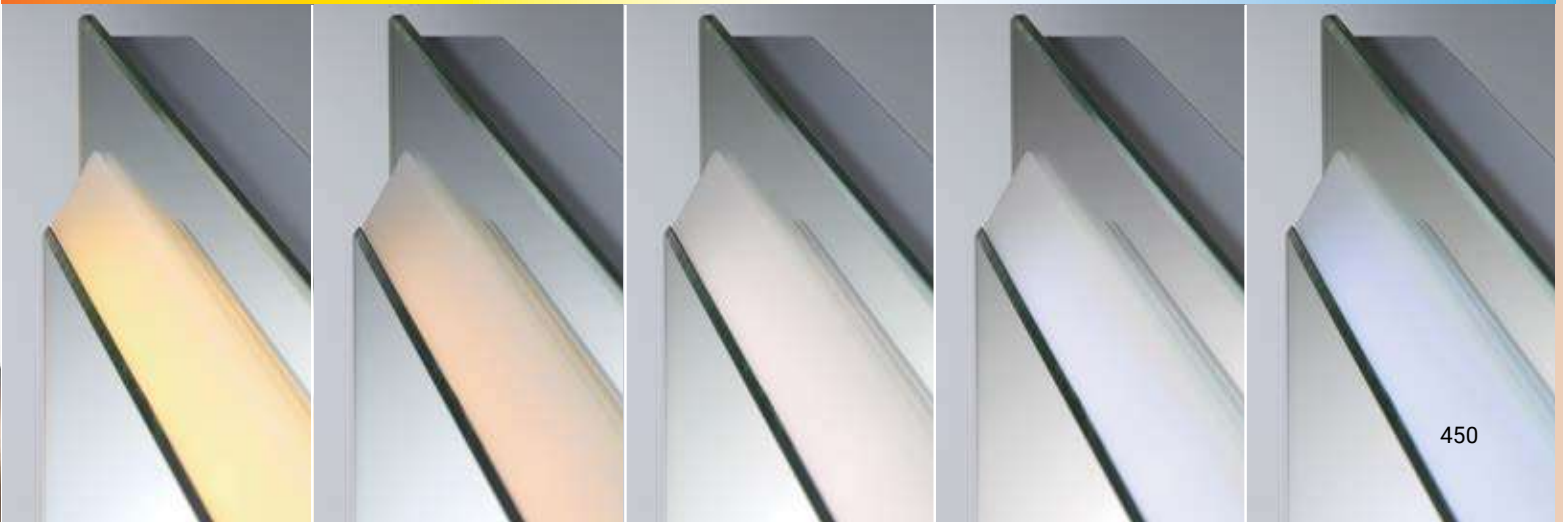
37139-018
RECTANGULAR BACK-LIT LED MIRROR

Wattage	39W
CRI	80+
CCT	2700K to 6500K
Initial Lumen	3900lm
Switch Type	Touch Sensor
Dimmable	No
Defogger	Yes
Location	Damp

More detailed specification information and performance data is available at www.eurofase.com

From 2700K

To 6500K





LED LED Lights



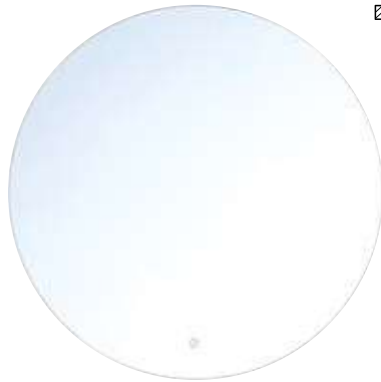
Touch Sensor Switch

Correlated Color
Temperature

Suitable for Damp Location



Defogger



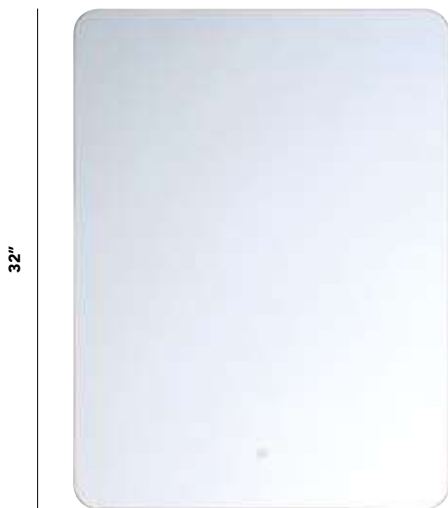
1.57"

Ø24"

37140-014
ROUND BACK-LIT LED MIRROR

Wattage	21W
CRI	80+
CCT	2700K to 6500K
Initial Lumen	2100lm
Switch Type	Touch Sensor
Dimmable	No
Defogger	Yes
Location	Damp

1.18"



32"

24"

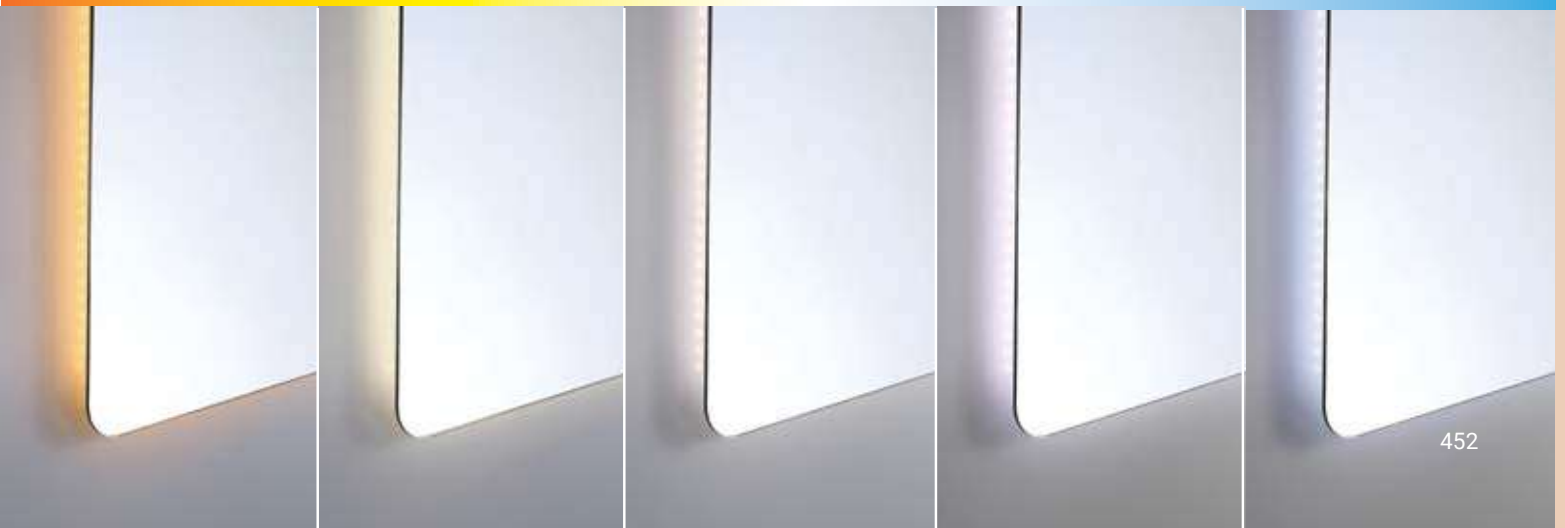
37141-011
RECTANGULAR BACK-LIT LED MIRROR

Wattage	30W
CRI	80+
CCT	2700K to 6500K
Initial Lumen	3000lm
Switch Type	Touch Sensor
Dimmable	No
Defogger	Yes
Location	Damp

More detailed specification information and performance data is available at www.eurofase.com

From 2700K

To 6500K



LED MIRRORS



LED LED Lights



Touch Sensor Switch



Dimmable

Correlated Color
Temperature

Suitable for Damp Location

**35885-016***

ROUND EDGE-LIT LED MIRROR

Wattage	27W
CRI	90+
CCT	3000K/4200K/6400K
Initial Lumen	2040lm
Switch Type	Touch Sensor
Dimmable	YES
Location	Damp

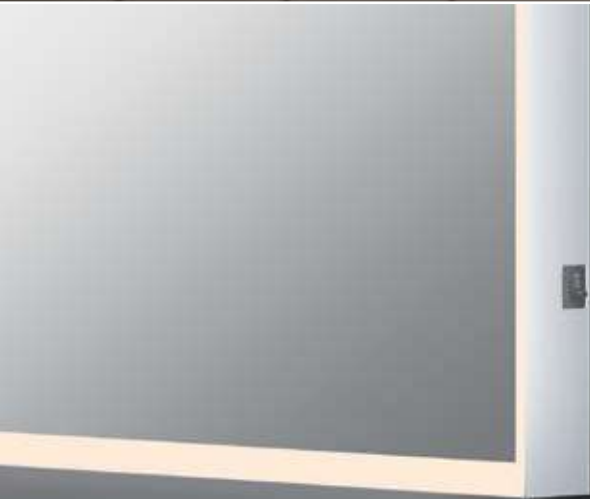
*** Real Leather Strap****Adjustable Overall Height 31" to 37"**More detailed specification information and performance data is available at www.eurofase.com

3000K

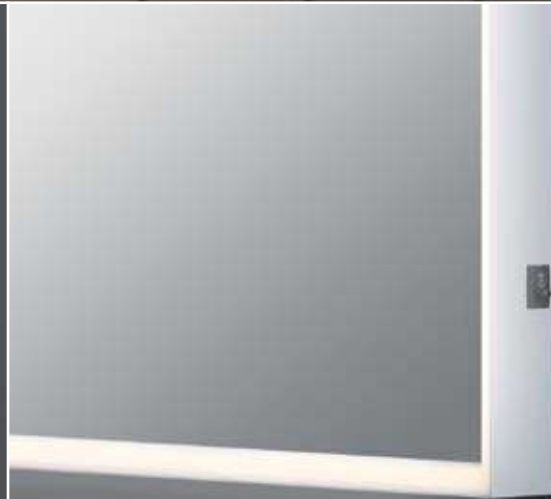
4200K

6400K

LED MIRRORS



3000K



4000K

LED LED Lights

Rocker Switch

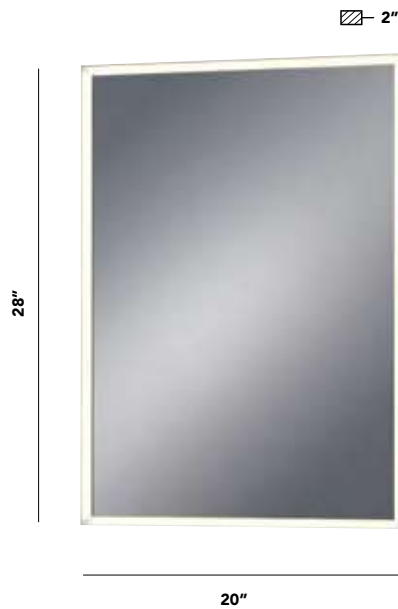
CCT TCC
Correlated Color
Temperature

Suitable for Damp Location



31479-011
MEDIUM RECTANGULAR EDGE-LIT LED MIRROR

Wattage	18W
CRI	80+
CCT	3000K/4000K
Initial Lumen	2010lm
Switch Type	Rocker Switch
Location	Damp

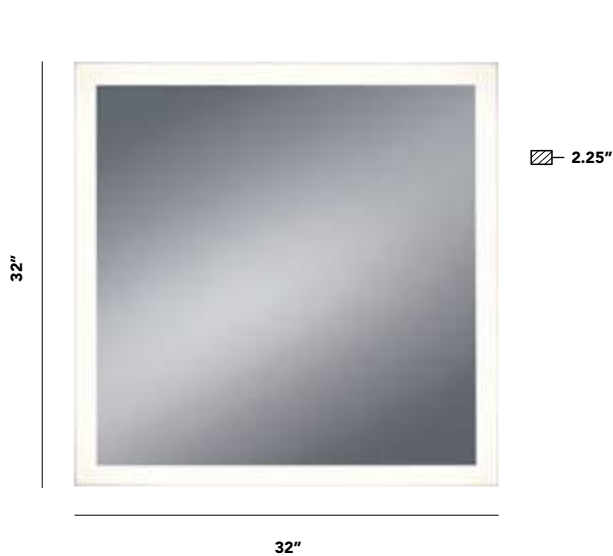


31478-014
SMALL RECTANGULAR EDGE-LIT LED MIRROR

Wattage	15W
CRI	80+
CCT	3000K/4000K
Initial Lumen	1690lm
Switch Type	Rocker Switch
Location	Damp

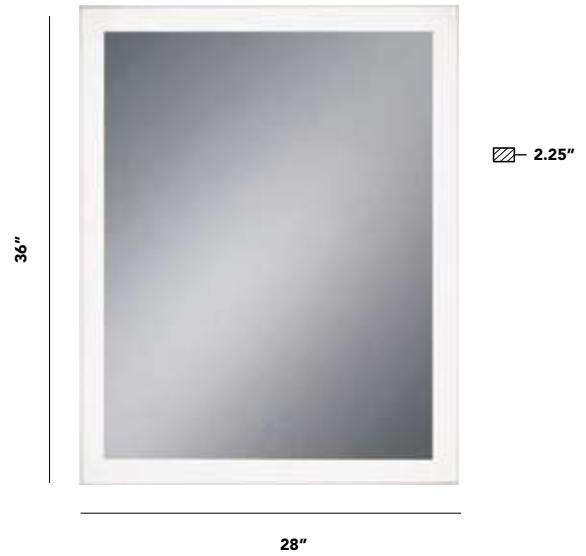


LED LED Lights
Touch Sensor Switch
Dimmable
CCT TCC Correlated Color Temperature
Suitable for Damp Location



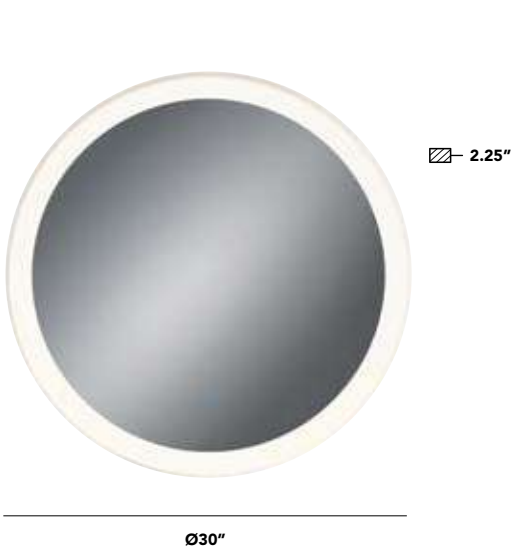
31482-015
SQUARE EDGE-LIT LED MIRROR

Wattage	36W
CRI	80+
CCT	3000K/4500K/6400K
Initial Lumen	4200lm
Switch Type	Touch Sensor
Dimmable	YES
Location	Damp



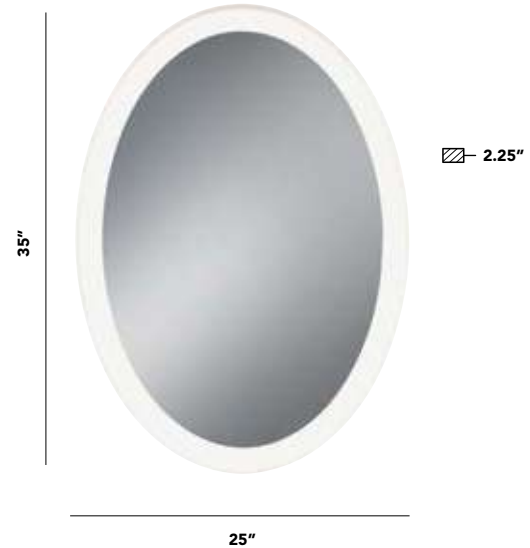
31486-019
RECTANGULAR EDGE-LIT LED MIRROR

Wattage	35W
CRI	80+
CCT	3000K/4500K/6400K
Initial Lumen	4100lm
Switch Type	Touch Sensor
Dimmable	YES
Location	Damp



31481-018
ROUND EDGE-LIT LED MIRROR

Wattage	31W
CRI	80+
CCT	3000K/4500K/6400K
Initial Lumen	3600lm
Switch Type	Touch Sensor
Dimmable	YES
Location	Damp



31483-012
OVAL EDGE-LIT LED MIRROR

Wattage	31W
CRI	80+
CCT	3000K/4500K/6400K
Initial Lumen	3600lm
Switch Type	Touch Sensor
Dimmable	YES
Location	Damp



3000K

4000K



LED LED Lights

Rocker Switch

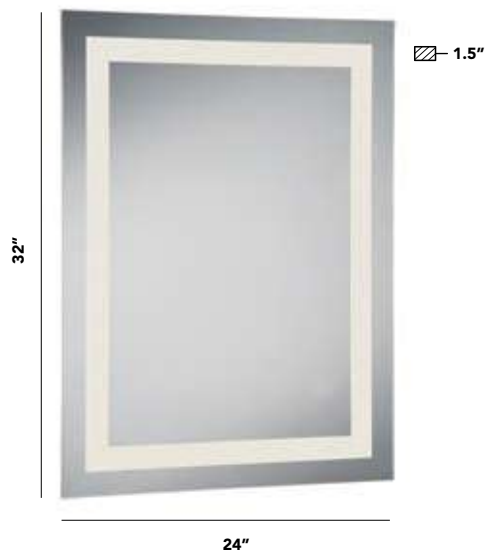
CCT
TCC Correlated Color
Temperature

Suitable for Damp Location



29107-018
RECTANGULAR BACK-LIT LED MIRROR

Wattage	36W
CRI	80+
CCT	3000K/4000K
Initial Lumen	2550lm
Switch Type	Rocker Switch
Location	Damp



29108-015
RECTANGULAR BACK-LIT LED MIRROR


Wattage	19W
CRI	80+
CCT	3000K/4000K
Initial Lumen	1340lm
Switch Type	Rocker Switch
Location	Damp



LED LED Lights

 Rocker Switch

CCT TCC Correlated Color Temperature

 Suitable for damp location

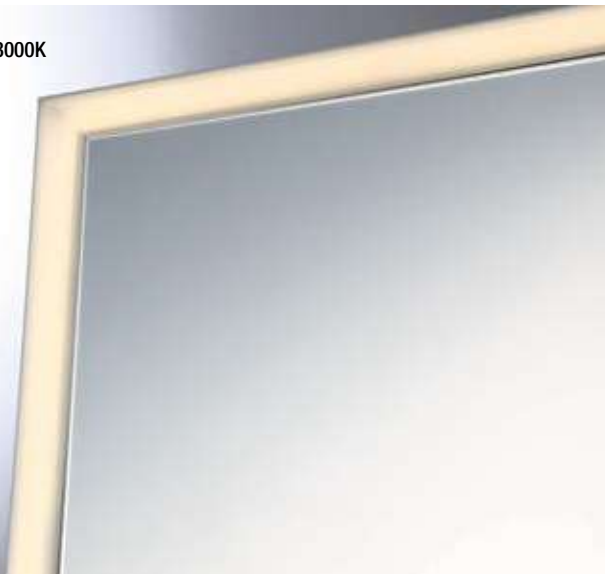


31484-015
SINGLE DOOR EDGE-LIT MIRRORED CABINET

Wattage	12W
CRI	80+
CCT	3000K/4000K
Initial Lumen	1330lm
Switch Type	Rocker Switch
Location	Damp

More detailed specification information and performance data is available at www.eurofase.com

3000K



4000K





EXTERIOR LIGHTING

120 VOLT

Line voltage landscape lighting is most commonly used in commercial areas. Unlike low voltage lighting, line voltage systems operate with more power which produces larger light outputs despite using fewer fixtures. It can also be applied in residential areas where expanded up-lighting on large buildings or structures are needed.

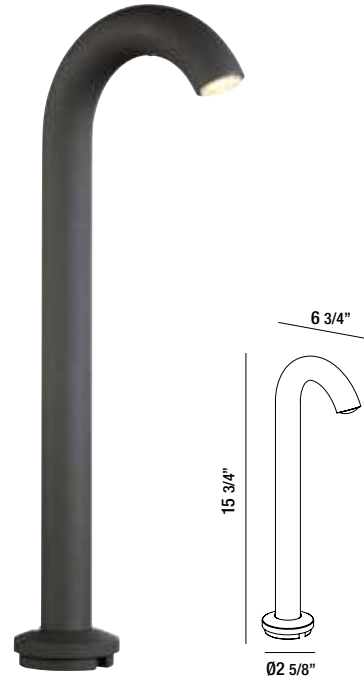
EXTERIOR LIGHTING

120V BOLLARD

DURABLE | DUST TIGHT | WEATHERPROOF



120V BOLLARD



LED

31912-020

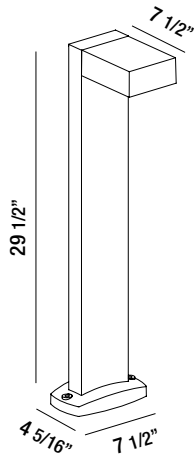
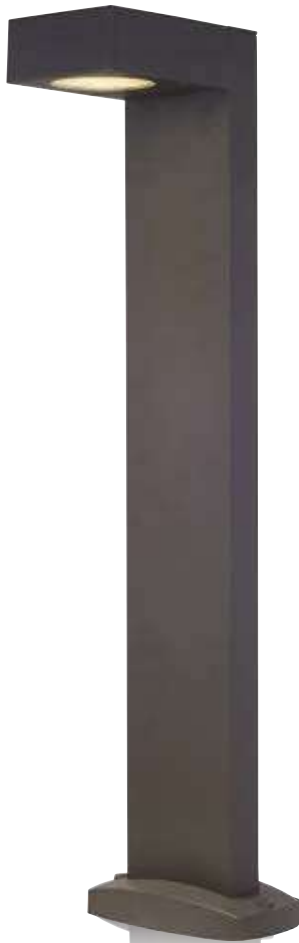
- 1 x 4W CREE LED
- 3000 Kelvin
- Lumen Output: 320lm
- LED driver included
- IP 65
- CRI: 80+
- High corrosion resistant die-cast aluminum body
- Stainless steel screws
- Electronic driver 120V 50/60Hz
- Silicone rubber gasket
- Powder coated graphite grey finish

EXTERIOR LIGHTING

120V BOLLARD



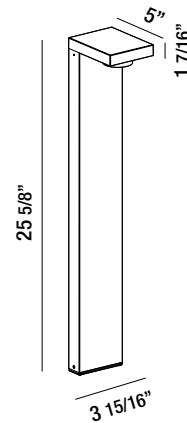
120V BOLLARD



LED

31909-027

- 1 x 7W CREE LED
- 3000 Kelvin
- Lumen Output: 340lm
- LED driver included
- Electronic driver 120V 50/60Hz
- IP 54
- CRI: 80+
- High corrosion resistant die-cast aluminum body
- Stainless steel screws
- Silicone rubber gasket
- Powder coated graphite grey finish



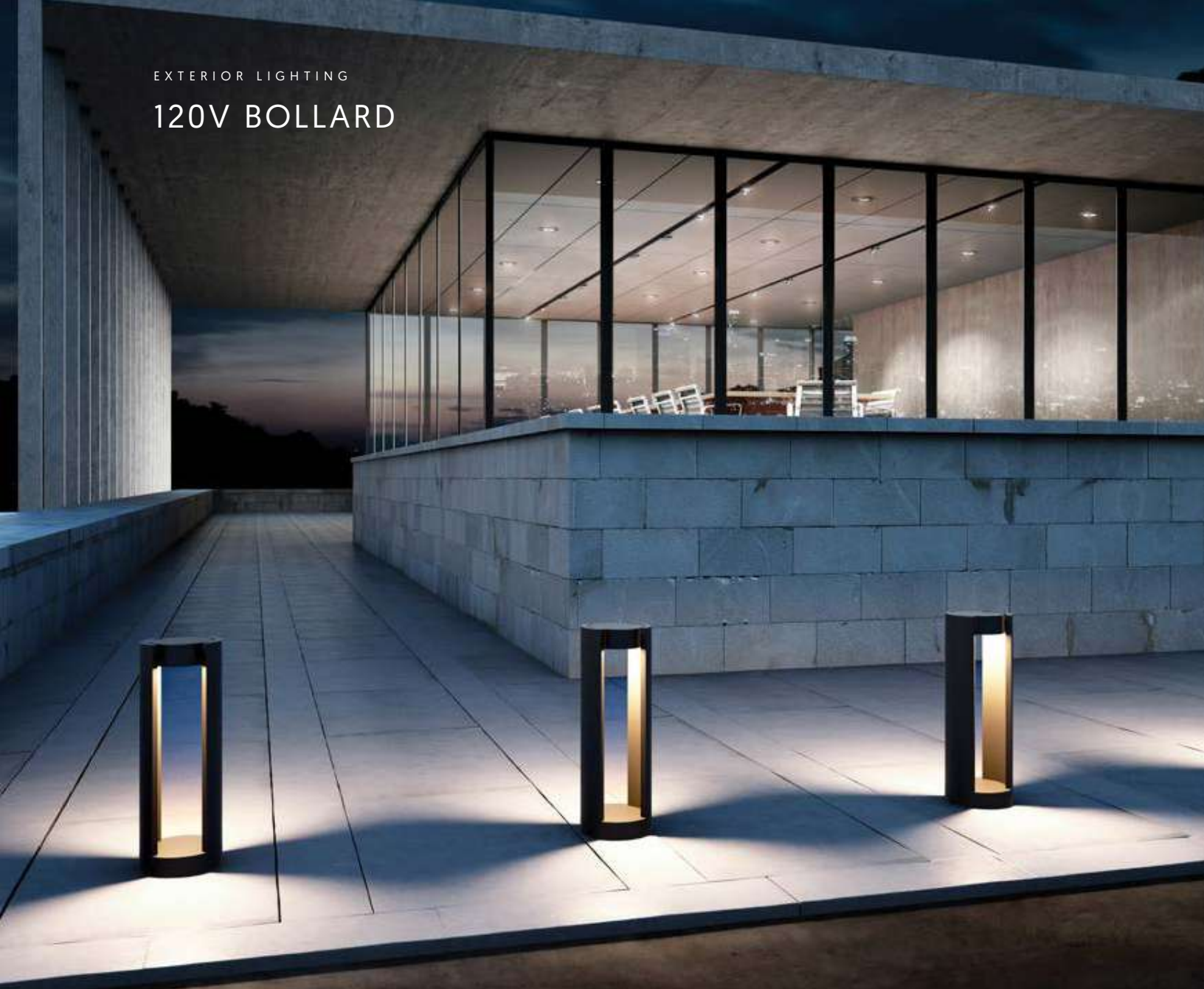
LED

31911-023

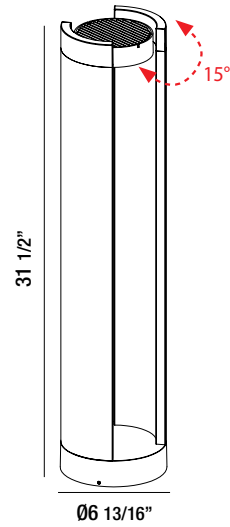
- 1 x 7W CREE LED
- 3000 Kelvin
- Lumen Output: 280lm
- LED driver included
- Electronic driver 120V 50/60Hz
- IP 54
- CRI: 80+
- High corrosion resistant die-cast aluminum body
- Stainless steel screws
- Silicone rubber gasket
- Powder coated graphite grey finish

EXTERIOR LIGHTING

120V BOLLARD



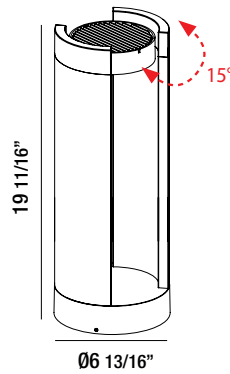
120V BOLLARD



LED

31923-026

- 15W LED
- 3000 Kelvin
- Lumen Output: 720lm
- Line voltage AC LED included 120V input
- IP 65
- High corrosion resistant die-cast aluminum body
- Stainless steel screws
- Silicone rubber gasket
- Powder coated graphite grey finish

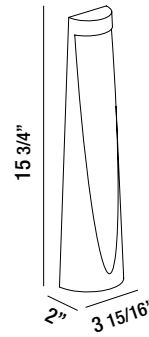


LED

31922-029

- 15W LED
- 3000 Kelvin
- Lumen Output: 720lm
- Line voltage AC LED included 120V input
- IP 65
- High corrosion resistant die-cast aluminum body
- Stainless steel screws
- Silicone rubber gasket
- Powder coated graphite grey finish

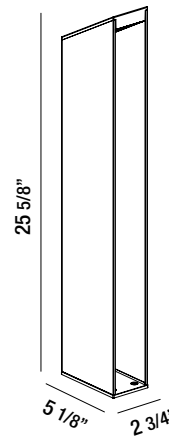
120V BOLLARD



LED

31916-028

- 1 x 7W CREE LED
- 3000 Kelvin
- Lumen Output: 300lm
- LED driver included
- Electronic driver 120V 50/60Hz
- IP 65
- CRI: 80+
- High corrosion resistant die-cast aluminum body
- Stainless steel screws
- Silicone rubber gasket
- Powder coated graphite grey finish

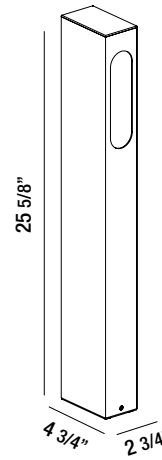


LED

31915-021

- 3 x 3W CREE LED
- 3000 Kelvin
- Lumen Output: 100lm
- LED driver included
- Electronic driver 120V 50/60Hz
- IP 54
- CRI: 80+
- High corrosion resistant die-cast aluminum body
- Stainless steel screws
- Silicone rubber gasket
- Powder coated graphite grey finish

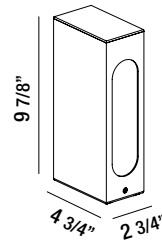
120V BOLLARD



LED

31914-024

- 1 x 7W CREE LED
- 3000 Kelvin
- Lumen Output: 140lm
- LED driver included
- IP 54
- CRI: 80+
- High corrosion resistant die-cast aluminum body
- Stainless steel screws
- Electronic driver 120V 50/60Hz
- Silicone rubber gasket
- Powder coated graphite grey finish



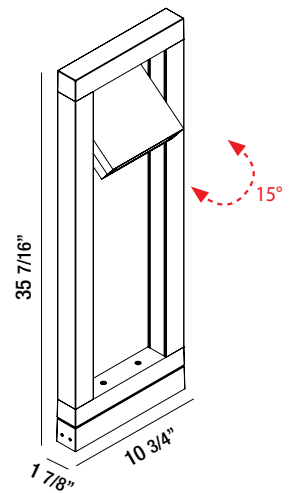
LED

31913-027

- 1 x 7W CREE LED
- 3000 Kelvin
- Lumen Output: 140lm
- LED driver included
- Electronic driver 120V 50/60Hz
- IP 54
- CRI: 80+
- High corrosion resistant die-cast aluminum body
- Stainless steel screws
- Silicone rubber gasket
- Powder coated graphite grey finish



120V BOLLARD



LED

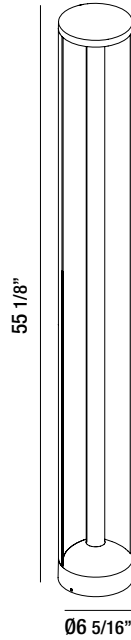
31918-022

- 16W CREE LED
- 3000 Kelvin
- Lumen Output: 900lm
- LED driver included
- Electronic driver 120V 50/60Hz
- IP 65
- CRI: 80+
- High corrosion resistant die-cast aluminum body
- Stainless steel screws
- Silicone rubber gasket
- Powder coated graphite grey finish

More detailed specification information and performance data is available at www.eurofase.com



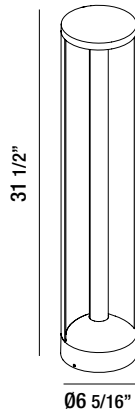
120V BOLLARD



LED

31919-029

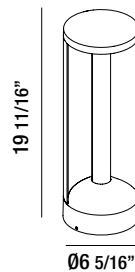
- 30W LED
- 3000 Kelvin
- Lumen Output: 1340lm
- Line voltage AC LED included 120V input
- IP 65
- High corrosion resistant die-cast aluminum body
- Stainless steel screws
- Silicone rubber gasket
- Powder coated graphite grey finish



LED

31921-022

- 15W LED
- 3000 Kelvin
- Lumen Output: 780lm
- Line voltage AC LED included 120V input
- IP 65
- High corrosion resistant die-cast aluminum body
- Stainless steel screws
- Silicone rubber gasket
- Powder coated graphite grey finish

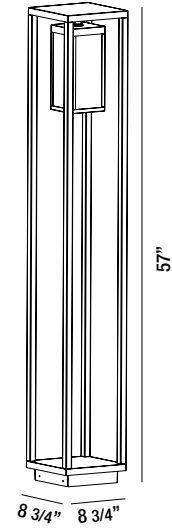


LED

31920-025

- 12W LED
- 3000 Kelvin
- Lumen Output: 500lm
- Line voltage AC LED included 120V input
- IP 65
- High corrosion resistant die-cast aluminum body
- Stainless steel screws
- Silicone rubber gasket
- Powder coated graphite grey finish

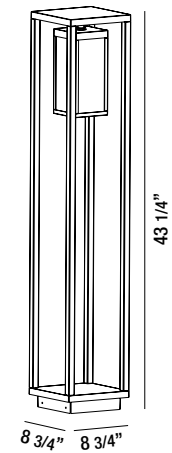
120V COLLECTION



LED

34123-010

- 13W CREE LED
- 3000 Kelvin
- Lumen Output: 750lm
- LED driver included
- Electronic driver 120V/277V 50/60Hz
- IP 54
- CRI: 80+
- High corrosion resistant die-cast aluminum body
- Stainless steel screws
- Silicone rubber gasket
- Powder coated graphite grey finish with pretreatment for outdoor use
- Patented design



LED

34122-013

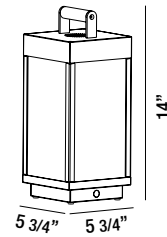
- 13W CREE LED
- 3000 Kelvin
- Lumen Output: 750lm
- LED driver included
- Electronic driver 120V/277V 50/60Hz
- IP 54
- CRI: 80+
- High corrosion resistant die-cast aluminum body
- Stainless steel screws
- Silicone rubber gasket
- Powder coated graphite grey finish with pretreatment for outdoor use
- Patented design

120V COLLECTION



LED

34124-017

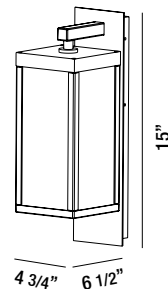


- 6W CREE RGB LED
- 3000 Kelvin
- Lumen Output: 220lm
- Lithium battery included
- Electronic charger 120V 50/60Hz
- Portable
- Bluetooth speaker to play music
- IP 54
- CRI: 80+
- High corrosion resistant die-cast aluminum body
- Stainless steel screws
- Silicone rubber gasket
- Powder coated graphite grey finish with pretreatment for outdoor use
- Patented design



LED

34125-014



- 13W CREE LED
- 3000 Kelvin
- Lumen Output: 750lm
- LED driver included
- Electronic driver 120V/277V 50/60Hz
- IP 54
- CRI: 80+
- High corrosion resistant die-cast aluminum body
- Stainless steel screws
- Silicone rubber gasket
- Powder coated graphite grey finish with pretreatment for outdoor use
- Cover plate included for standard junction box
- Patented design

EXTERIOR LIGHTING

120V IN-GROUND

DURABLE | WEATHERPROOF | WIDE APPLICATION



120V IN-GROUND



LED

32189-018

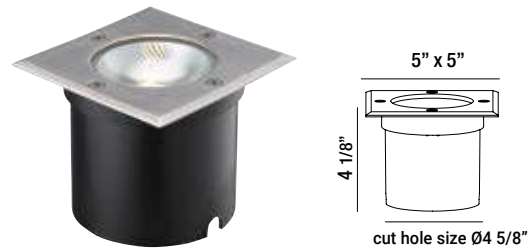
- 1 x 7W CREE LED
- 3000 Kelvin
- Lumen Output: 473lm
- LED driver included
- Electronic driver 120V 50/60Hz
- IP 67
- CRI: 80+
- High corrosion resistant die-cast aluminum body
- Polyester painting with phospho-chromating pre-finish
- Stainless steel ring AISI 304
- Stainless steel screws
- Silicone rubber gasket
- Max static weight resistant 500kg
- Polypropylene housing for recess included (concrete pour)
- 3 feet of waterproof, copper core, PVC jacketed body, UV protected wire included
- Tempered safety glass



MAX 500 kg



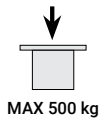
SPOT 25°



LED

32190-014

- 1 x 7W CREE LED
- 3000 Kelvin
- Lumen Output: 473lm
- LED driver included
- Electronic driver 120V 50/60Hz
- IP 67
- CRI: 80+
- High corrosion resistant die-cast aluminum body
- Polyester painting with phospho-chromating pre-finish
- Stainless steel ring AISI 304
- Stainless steel screws
- Silicone rubber gasket
- Max static weight resistant 500kg
- Polypropylene housing for recess included (concrete pour)
- 3 feet of waterproof, copper core, PVC jacketed body, UV protected wire included
- Tempered safety glass



MAX 500 kg



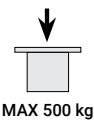
SPOT 25°



LED

32191-011

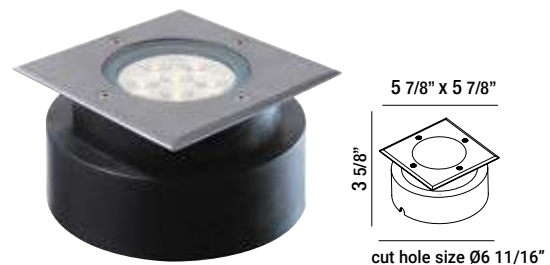
- 6 x 1W OSRAM LED
- 3000 Kelvin
- Lumen Output: 443lm
- LED driver included
- Electronic driver 120V 50/60Hz
- IP 67
- CRI: 80+
- High corrosion resistant die-cast aluminum body
- Polyester painting with phospho-chromating pre-finish
- Stainless steel ring AISI 304
- Stainless steel screws
- Silicone rubber gasket
- Max static weight resistant 500kg
- Polypropylene housing for recess included (concrete pour)
- 3 feet of waterproof, copper core, PVC jacketed body, UV protected wire included
- Tempered safety glass



MAX 500 kg



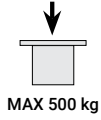
SPOT 25°



LED

32192-018

- 6 x 1W OSRAM LED
- 3000 Kelvin
- Lumen Output: 443lm
- LED driver included
- Electronic driver 120V 50/60Hz
- IP 67
- CRI: 80+
- High corrosion resistant die-cast aluminum body
- Polyester painting with phospho-chromating pre-finish
- Stainless steel ring AISI 304
- Stainless steel screws
- Silicone rubber gasket
- Max static weight resistant 500kg
- Polypropylene housing for recess included (concrete pour)
- 3 feet of waterproof, copper core, PVC jacketed body, UV protected wire included
- Tempered safety glass



MAX 500 kg



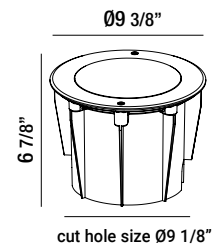
SPOT 25°

EXTERIOR LIGHTING

120V IN-GROUND



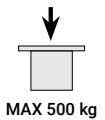
120V IN-GROUND



LED

32188-011

- 24 x 1W CREE SUPER LED
- 3000 Kelvin
- Lumen Output: 905lm
- LED driver included
- Electronic driver 120V 50/60Hz
- IP 67
- CRI: 80+
- High corrosion resistant die-cast aluminum body
- Polyester painting with phospho-chromating pre-finish
- Stainless steel ring AISI 304
- Stainless steel screws
- Silicone rubber gasket
- Max static weight resistant 500kg
- Polypropylene housing for recess included (concrete pour)
- 3 feet of waterproof, copper core, PVC jacketed body, UV protected wire included
- Tempered safety glass



EXTERIOR LIGHTING

120V IN-GROUND



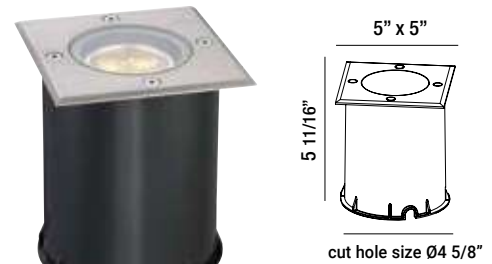
120V IN-GROUND



LED

31595-018

- 3 x 2W CREE LED
- 3000 Kelvin
- Lumen Output: 270lm
- LED driver included
- Electronic driver 120V 50/60Hz
- IP 67
- CRI: 80+
- Adjustable $\pm 15^\circ$
- High corrosion resistant die-cast aluminum body
- Polyester painting with phospho-chromating pre-finish
- Stainless steel ring AISI 304
- Stainless steel screws
- Silicone rubber gasket
- Max static weight resistant 500kg
- Polypropylene housing for recess included (concrete pour)
- 3 feet of waterproof, copper core, PVC jacketed body, UV protected wire included
- Tempered safety glass



LED

31596-015

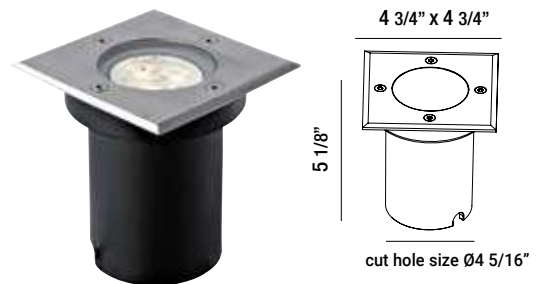
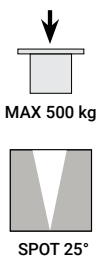
- 3 x 2W CREE LED
- 3000 Kelvin
- Lumen Output: 270lm
- LED driver included
- Electronic driver 120V 50/60Hz
- IP 67
- CRI: 80+
- Adjustable $\pm 15^\circ$
- High corrosion resistant die-cast aluminum body
- Polyester painting with phospho-chromating pre-finish
- Stainless steel ring AISI 304
- Stainless steel screws
- Silicone rubber gasket
- Max static weight resistant 500kg
- Polypropylene housing for recess included (concrete pour)
- 3 feet of waterproof, copper core, PVC jacketed body, UV protected wire included
- Tempered safety glass



LED

32193-015

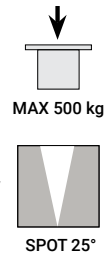
- 3 x 1W CREE LED
- 3000 Kelvin
- Lumen Output: 175lm
- LED driver included
- Electronic driver 120V 50/60Hz
- IP 67
- CRI: 80+
- High corrosion resistant die-cast aluminum body
- Polyester painting with phospho-chromating pre-finish
- Stainless steel ring AISI 304
- Stainless steel screws
- Silicone rubber gasket
- Max static weight resistant 500kg
- Polypropylene housing for recess included (concrete pour)
- 3 feet of waterproof, copper core, PVC jacketed body, UV protected wire included
- Tempered safety glass



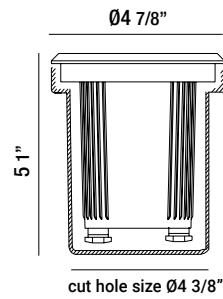
LED

32194-012

- 3 x 1W CREE LED
- 3000 Kelvin
- Lumen Output: 175lm
- LED driver included
- Electronic driver 120V 50/60Hz
- IP 67
- CRI: 80+
- High corrosion resistant die-cast aluminum body
- Polyester painting with phospho-chromating pre-finish
- Stainless steel ring AISI 304
- Stainless steel screws
- Silicone rubber gasket
- Max static weight resistant 500kg
- Polypropylene housing for recess included (concrete pour)
- 3 feet of waterproof, copper core, PVC jacketed body, UV protected wire included
- Tempered safety glass

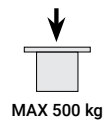


120V IN-GROUND

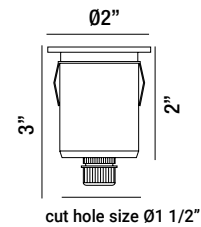


19552-019

- GU10 50W max
- 120V
- IP 67
- High corrosion resistant die-cast aluminum body
- Polyester painting with phospho-chromating pre-finish
- Stainless steel ring AISI 304
- Stainless steel screws
- Silicone rubber gasket
- Max static weight resistant 500kg
- Polypropylene housing for recess included (concrete pour)
- 3 feet of waterproof, copper core, PVC jacketed body, UV protected wire included
- Tempered safety glass



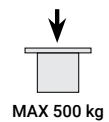
120V IN-GROUND



LED

14746-017

- 3 x 1W EDISON LED
- 3000 Kelvin
- Total Lumen Output: 150lm
- LED driver included
- Electronic driver 120V 50/60Hz
- IP 67
- CRI: 80+
- High corrosion resistant die-cast aluminum body
- Polyester painting with phospho-chromating pre-finish
- Stainless steel ring AISI 304
- Silicone rubber gasket
- Max static weight resistant 500kg
- Polypropylene housing for recess included (concrete pour)
- 10 feet of waterproof, copper core, PVC jacketed body, UV protected wire included
- Tempered safety glass



EXTERIOR LIGHTING

120V SURFACE MOUNT



120V SURFACE MOUNT



34174-012
Marine Grey

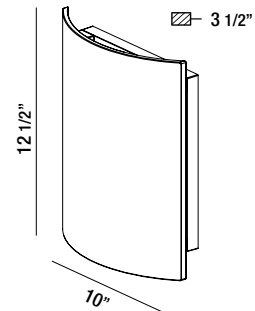


34174-029
Graphite Grey

LED

34174

- 1 x 18W CREE LED
- 3000 Kelvin
- Lumen Output: 420lm
- LED driver included
- Electronic driver 120V 50/60Hz
- IP 54
- CRI: 80+
- High corrosion resistant die-cast aluminum body
- Stainless steel screws
- Silicone rubber gasket
- Powder coated with pretreatment for outdoor use
- Patented design



LED

34175

- 18W CREE LED
- 3000 Kelvin
- Lumen Output: 860lm
- LED driver included
- Electronic driver 120V 50/60Hz
- IP 54
- CRI: 80+
- High corrosion resistant die-cast aluminum body
- Stainless steel screws
- Silicone rubber gasket
- Powder coated with pretreatment for outdoor use
- Patented design
- Cover plate included for standard junction box



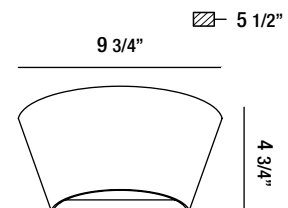
Up & Down light



34175-019
Marine Grey



34175-026
Graphite Grey



120V SURFACE MOUNT



34172-018
Marine Grey

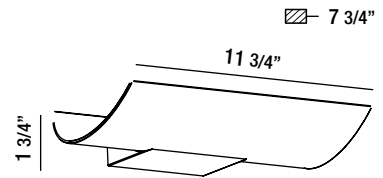
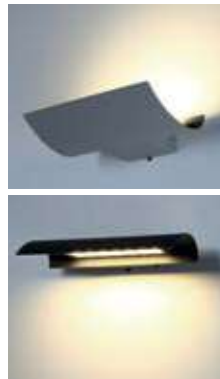


34172-025
Graphite Grey

LED

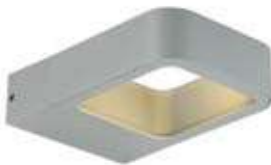
34172

- 1 x 15W CREE LED
- 3000 Kelvin
- Lumen Output: 650lm
- LED driver included
- Electronic driver 120V 50/60Hz
- IP 54
- CRI: 80+
- High corrosion resistant die-cast aluminum body
- Stainless steel screws
- Silicone rubber gasket
- Powder coated with pretreatment for outdoor use
- Patented design
- Cover plate included for standard junction box



LED

28293

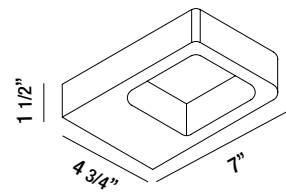
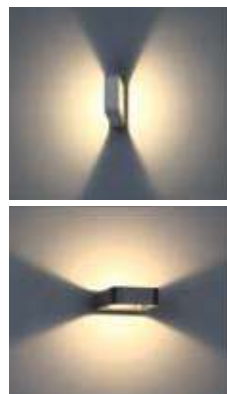


28293-019
Marine Grey



28293-026
Graphite Grey

- 1 x 7W CREE LED
- 3000 Kelvin
- Lumen Output: 300lm
- LED driver included
- Electronic driver 120V 50/60Hz
- IP 54
- CRI: 80+
- High corrosion resistant die-cast aluminum body
- Stainless steel screws
- Silicone rubber gasket
- Powder coated with pretreatment for outdoor use
- Patented design
- Cover plate included for standard junction box



120V SURFACE MOUNT



28277-019
Marine Grey



28277-026
Graphite Grey

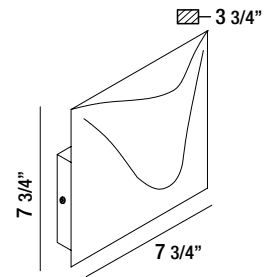
LED

28277

- 1 x 15W CREE LED
- 3000 Kelvin
- Lumen Output: 650lm
- LED driver included
- Electronic driver 120V 50/60Hz
- IP 54
- CRI: 80+
- High corrosion resistant die-cast aluminum body
- Stainless steel screws
- Silicone rubber gasket
- Powder coated with pretreatment for outdoor use
- Patented design



Up & Down light



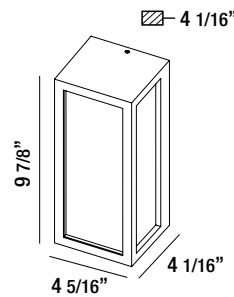
LED

31580-021 Graphite Grey

- 18W CREE LED
- 3000 Kelvin
- Lumen Output: 660lm
- LED driver included
- Electronic driver 120V 50/60Hz
- IP 54
- CRI: 80+
- High corrosion resistant die-cast aluminum body
- Stainless steel screws
- Silicone rubber gasket
- Powder coated with pretreatment for outdoor use
- Patented design
- Cover plate included for standard junction box



Up & Down light



EXTERIOR LIGHTING

120V SURFACE MOUNT



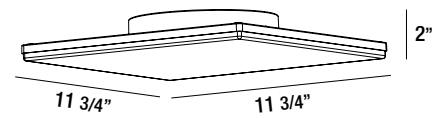
120V SURFACE MOUNT



LED

34117-019 Graphite Grey

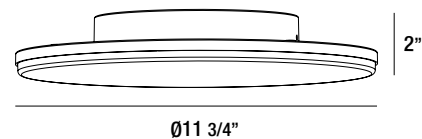
- 20W CREE LED
- 3000 Kelvin
- Lumen Output: 1000lm
- LED driver included
- Electronic driver 120V 50/60Hz
- IP 54
- CRi: 80+
- High corrosion resistant die-cast aluminum body
- Stainless steel screws
- Silicone rubber gasket
- Powder coated with pretreatment for outdoor use
- Patented design



LED

34118-016 Graphite Grey

- 20W CREE LED
- 3000 Kelvin
- Lumen Output: 1000lm
- LED driver included
- Electronic driver 120V 50/60Hz
- IP 54
- CRi: 80+
- High corrosion resistant die-cast aluminum body
- Stainless steel screws
- Silicone rubber gasket
- Powder coated with pretreatment for outdoor use
- Patented design



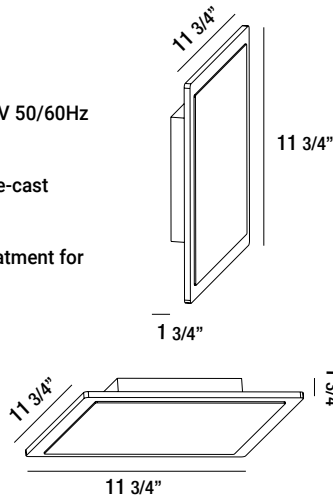
120V SURFACE MOUNT



LED

35852-018 Graphite Grey

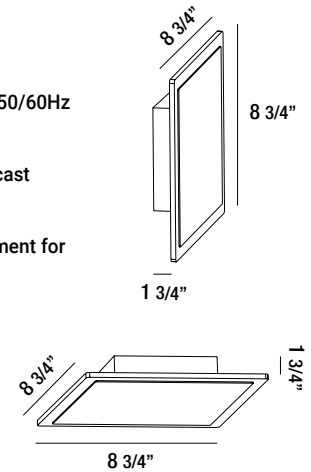
- 18W LED
- 3000 Kelvin
- Lumen Output: 1100lm
- LED driver included
- Electronic driver 120V/277V 50/60Hz
- IP 65
- CRI: 90+
- High corrosion resistant die-cast aluminum body
- Stainless steel screws
- Powder coated with pretreatment for outdoor use
- Patented design



LED

35853-015 Graphite Grey

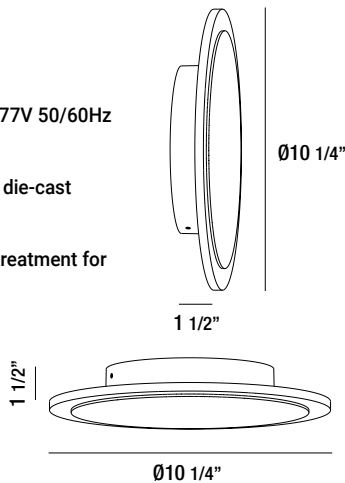
- 13W LED
- 3000 Kelvin
- Lumen Output: 750lm
- LED driver included
- Electronic driver 120V/277V 50/60Hz
- IP 65
- CRI: 90+
- High corrosion resistant die-cast aluminum body
- Stainless steel screws
- Powder coated with pretreatment for outdoor use
- Patented design



LED

35854-012 Graphite Grey

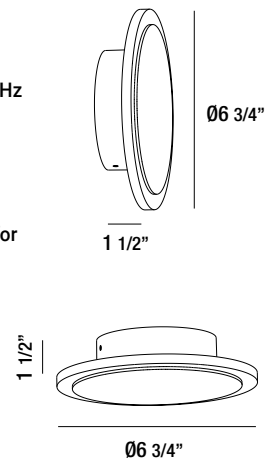
- 18W LED
- 3000 Kelvin
- Lumen Output: 1100lm
- LED driver included
- Electronic driver 120V/277V 50/60Hz
- IP 65
- CRI: 90+
- High corrosion resistant die-cast aluminum body
- Stainless steel screws
- Powder coated with pretreatment for outdoor use
- Patented design



LED

35855-019 Graphite Grey

- 10W LED
- 3000 Kelvin
- Lumen Output: 550lm
- LED driver included
- Electronic driver 120V/277V 50/60Hz
- IP 65
- CRI: 90+
- High corrosion resistant die-cast aluminum body
- Stainless steel screws
- Powder coated with pretreatment for outdoor use
- Patented design



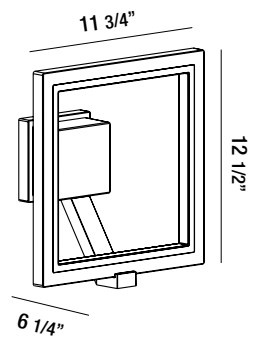
120V SURFACE MOUNT

LED

34121-016 Graphite Grey



- 13W CREE LED
- 3000 Kelvin
- Lumen Output: 750lm
- LED driver included
- Electronic driver 120V/277V 50/60Hz
- IP 54
- CRI: 80+
- High corrosion resistant die-cast aluminum body
- Stainless steel screws
- Silicone rubber gasket
- Powder coated with pretreatment for outdoor use
- Patented design

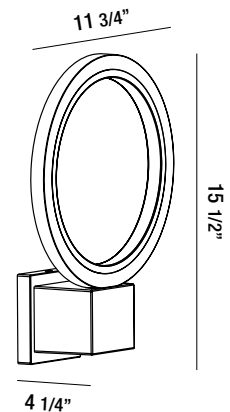


LED

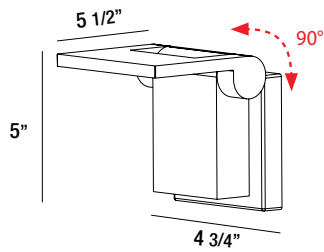
34120-019 Graphite Grey



- 13W CREE LED
- 3000 Kelvin
- Lumen Output: 750lm
- LED driver included
- Electronic driver 120V/277V 50/60Hz
- IP 54
- CRI: 80+
- High corrosion resistant die-cast aluminum body
- Stainless steel screws
- Silicone rubber gasket
- Powder coated with pretreatment for outdoor use
- Patented design



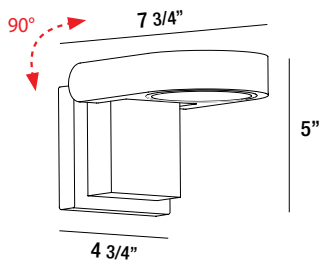
120V SURFACE MOUNT



LED

34116-012 Graphite Grey

- 10W LED
- 3000 Kelvin
- Lumen Output: 600lm
- LED driver included
- Electronic driver 120V 50/60Hz
- IP 54
- CRI: 90+
- High corrosion resistant die-cast aluminum body
- Stainless steel screws
- Silicone rubber gasket
- Powder coated with pretreatment for outdoor use
- Patented design



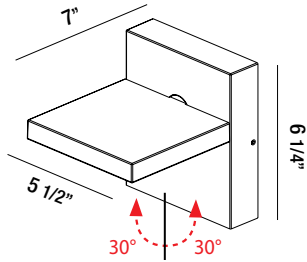
LED

35857-013 Graphite Grey

- 10W LED
- 3000 Kelvin
- Lumen Output: 600lm
- LED driver included
- Electronic driver 120V/277V 50/60Hz
- IP 65
- CRI: 90+
- High corrosion resistant die-cast aluminum body
- Stainless steel screws
- Powder coated with pretreatment for outdoor use
- Patented design



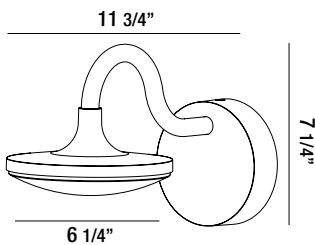
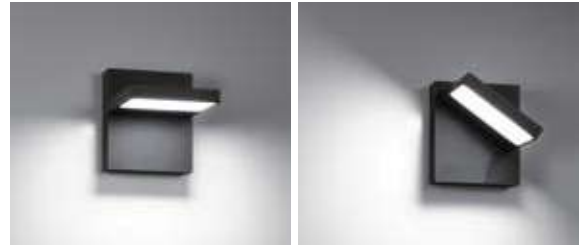
120V SURFACE MOUNT



LED

35856-016 Graphite Grey

- 13W LED
- 3000 Kelvin
- Lumen Output: 750lm
- LED driver included
- Electronic driver 120V/277V 50/60Hz
- IP 65
- CRI: 90+
- High corrosion resistant die-cast aluminum body
- Stainless steel screws
- Powder coated with pretreatment for outdoor use
- Patented design



LED

34119-013 Graphite Grey

- 10W LED
- 3000 Kelvin
- Lumen Output: 800lm
- LED driver included
- Electronic driver 120V 50/60Hz
- IP 54
- CRI: 90+
- High corrosion resistant die-cast aluminum body
- Stainless steel screws
- Silicone rubber gasket
- Powder coated with pretreatment for outdoor use
- Patented design



120V SURFACE MOUNT



31581-011
Marine Grey



31581-028
Graphite Grey

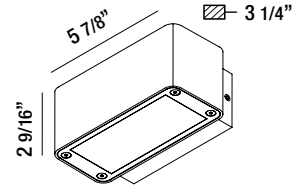
LED

31581

- 4 x 3W CREE LED
- 3000 Kelvin
- Lumen Output: 385lm
- LED driver included
- Electronic driver 120V 50/60Hz
- IP 54
- CRI: 80+
- High corrosion resistant die-cast aluminum body
- Stainless steel screws
- Silicone rubber gasket
- Powder coated with pretreatment for outdoor use
- Patented design
- Cover plate included for standard junction box



Up & Down light



28282-013
Marine Grey



28282-020
Graphite Grey

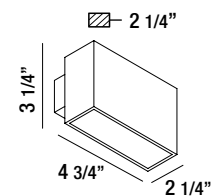
LED

28282

- 1 x 5W SAMSUNG LED
- 3000 Kelvin
- Lumen Output: 150lm
- LED driver included
- Electronic driver 120V 50/60Hz
- IP 54
- CRI: 80+
- High corrosion resistant die-cast aluminum body
- Stainless steel screws
- Silicone rubber gasket
- Powder coated with pretreatment for outdoor use
- Patented design
- Cover plate included for standard junction box



Up & Down light



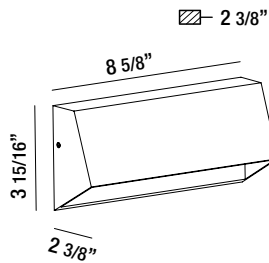
120V SURFACE MOUNT



LED

31589-017 Marine Grey

- 4 x 1W CREE LED
- 3000 Kelvin
- Lumen Output: 160lm
- LED driver included
- Electronic driver 120V 50/60Hz
- IP 54
- CRI: 80+
- High corrosion resistant die-cast aluminum body
- Stainless steel screws
- Silicone rubber gasket
- Powder coated with pretreatment for outdoor use
- Patented design
- Cover plate included for standard junction box



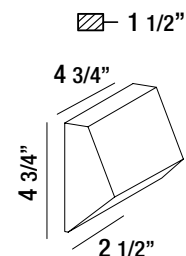
28281-016
Marine Grey

LED

28281

- 1 x 7W CREE LED
- 3000 Kelvin
- Lumen Output: 330lm
- LED driver included
- Electronic driver 120V 50/60Hz
- IP 54
- CRI: 80+
- High corrosion resistant die-cast aluminum body
- Stainless steel screws
- Silicone rubber gasket
- Powder coated with pretreatment for outdoor use
- Patented design
- Cover plate included for standard junction box

28281-023
Graphite Grey



120V SURFACE MOUNT



28288-015
Marine Grey



28288-022
Graphite Grey



28280-019
Marine Grey

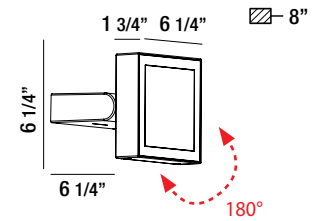


28280-026
Graphite Grey

LED

28288

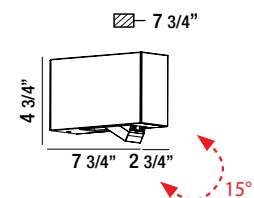
- 16 x 1W CREE LED
- 3000 Kelvin
- Lumen Output: 1000lm
- LED driver included
- Electronic driver 120V 50/60Hz
- IP 54
- CRI: 80+
- High corrosion resistant die-cast aluminum body
- Stainless steel screws
- Silicone rubber gasket
- Powder coated with pretreatment for outdoor use
- Patented design
- Cover plate included for standard junction box



LED

28280

- 3 x 3W CREE LED
- 3000 Kelvin
- Lumen Output: 260lm
- LED driver included
- Electronic driver 120V 50/60Hz
- IP 54
- CRI: 80+
- High corrosion resistant die-cast aluminum body
- Stainless steel screws
- Silicone rubber gasket
- Powder coated with pretreatment for outdoor use
- Patented design
- Cover plate included for standard junction box



120V SURFACE MOUNT



31578-011
Marine Grey

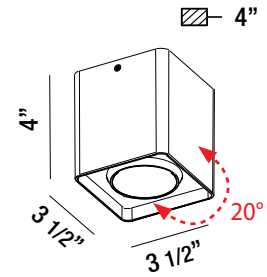


31578-028
Graphite Grey

LED

31578

- 1 x 9W CREE LED
- 3000 Kelvin
- Lumen Output: 650lm
- LED driver included
- Electronic driver 120V 50/60Hz
- IP 54
- CRI: 80+
- High corrosion resistant die-cast aluminum body
- Stainless steel screws
- Silicone rubber gasket
- Powder coated with pretreatment for outdoor use
- Patented design
- Cover plate included for standard junction box



LED

28287

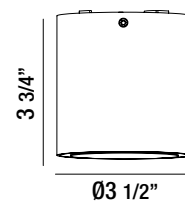


28287-018
Marine Grey



28287-025
Graphite Grey

- 1 x 7W CREE LED
- 3000 Kelvin
- Lumen Output: 480lm
- LED driver included
- Electronic driver 120V 50/60Hz
- IP 54
- CRI: 80+
- High corrosion resistant die-cast aluminum body
- Stainless steel screws
- Silicone rubber gasket
- Powder coated with pretreatment for outdoor use
- Patented design
- Cover plate included for standard junction box





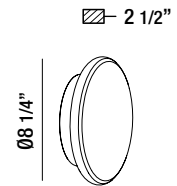
120V SURFACE MOUNT



LED

28289-029 Graphite Grey

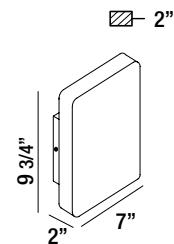
- 10 x 1W CREE LED
- 3000 Kelvin
- Lumen Output: 360lm
- LED driver included
- IP 54
- CRI: 80+
- High corrosion resistant die-cast aluminum body
- Stainless steel screws
- Electronic driver 120V 50/60Hz
- Silicone rubber gasket
- Powder coated with pretreatment for outdoor use
- Patented design



LED

28275-022 Graphite Grey

- 10 x 1W CREE LED
- 3000 Kelvin
- Lumen Output: 420lm
- LED driver included
- Electronic driver 120V 50/60Hz
- IP 54
- CRI: 80+
- High corrosion resistant die-cast aluminum body
- Stainless steel screws
- Silicone rubber gasket
- Powder coated with pretreatment for outdoor use
- Patented design



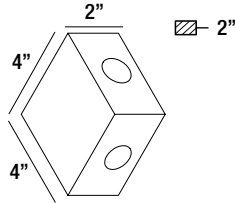
120V SURFACE MOUNT



LED

28297-024 Graphite Grey

- 4 x 1W CREE LED
- 3000 Kelvin
- Lumen Output: 320lm
- LED driver included
- Electronic driver 120V 50/60Hz
- IP 54
- CRI: 80+
- High corrosion resistant die-cast aluminum body
- Stainless steel screws
- Silicone rubber gasket
- Powder coated with pretreatment for outdoor use
- Patented design
- Cover plate included for standard junction box



LED

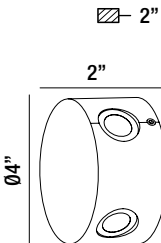
28296

- 4 x 1W CREE LED
- 3000 Kelvin
- Lumen Output: 320lm
- LED driver included
- Electronic driver 120V 50/60Hz
- IP 54
- CRI: 80+
- High corrosion resistant die-cast aluminum body
- Stainless steel screws
- Silicone rubber gasket
- Powder coated with pretreatment for outdoor use
- Patented design
- Cover plate included for standard junction box

28296-010
Marine Grey



28296-027
Graphite Grey



120V SURFACE MOUNT



31585-019
Marine Grey



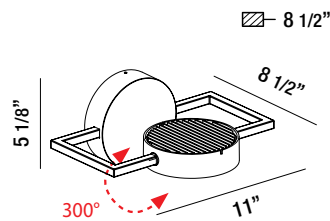
31585-026
Graphite Grey



LED

31585

- 15W CREE LED
- 3000 Kelvin
- Lumen Output: 740lm
- LED driver included
- Electronic driver 120V 50/60Hz
- IP 54
- CRI: 80+
- High corrosion resistant die-cast aluminum body
- Stainless steel screws
- Silicone rubber gasket
- Powder coated with pretreatment for outdoor use
- Patented design
- Cover plate included for standard junction box



120V SURFACE MOUNT

28284-017
Marine Grey



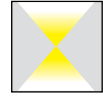
28284-024
Graphite Grey



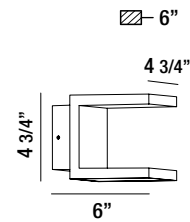
LED

28284

- 2 x 6W CREE LED
- 3000 Kelvin
- Lumen Output: 490lm
- LED driver included
- Electronic driver 120V 50/60Hz
- IP 54
- CRI: 80+
- High corrosion resistant die-cast aluminum body
- Stainless steel screws
- Silicone rubber gasket
- Powder coated with pretreatment for outdoor use
- Patented design
- Cover plate included for standard junction box



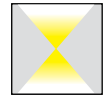
Up & Down light



LED

31582

- 2 x 3W CREE LED
- 3000 Kelvin
- Lumen Output: 160lm
- LED driver included
- Electronic driver 120V 50/60Hz
- IP 54
- CRI: 80+
- High corrosion resistant die-cast aluminum body
- Stainless steel screws
- Silicone rubber gasket
- Powder coated with pretreatment for outdoor use
- Patented design
- Cover plate included for standard junction box



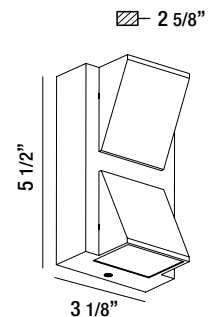
Up & Down light



31582-018
Marine Grey



31582-025
Graphite Grey



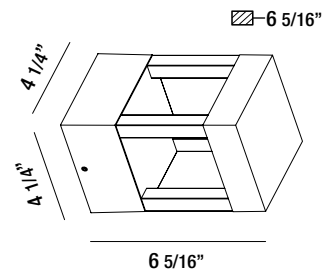
120V SURFACE MOUNT

LED

31587-013 Marine Grey

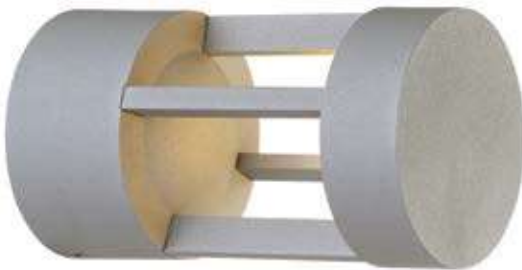


- 1 x 7W CREE LED
- 3000 Kelvin
- Lumen Output: 350lm
- LED driver included
- Electronic driver 120V 50/60Hz
- IP 54
- CRI: 80+
- High corrosion resistant die-cast aluminum body
- Stainless steel screws
- Silicone rubber gasket
- Powder coated with pretreatment for outdoor use
- Patented design
- Cover plate included for standard junction box



LED

31586

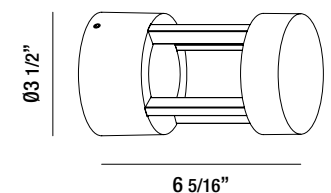


31586-016
Marine Grey

- 1 x 7W CREE LED
- 3000 Kelvin
- Lumen Output: 350lm
- LED driver included
- Electronic driver 120V 50/60Hz
- IP 54
- CRI: 80+
- High corrosion resistant die-cast aluminum body
- Stainless steel screws
- Silicone rubber gasket
- Powder coated with pretreatment for outdoor use
- Patented design
- Cover plate included for standard junction box



31586-023
Graphite Grey



120V SURFACE MOUNT



28290-018
Marine Grey

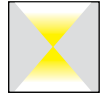


28290-025
Graphite Grey

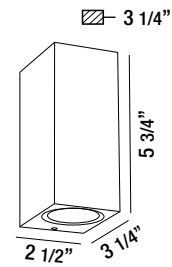
LED

28290

- 2 x 7W CREE LED
- 3000 Kelvin
- Lumen Output: 870lm
- LED driver included
- Electronic driver 120V 50/60Hz
- IP 54
- CRI: 80+
- High corrosion resistant die-cast aluminum body
- Stainless steel screws
- Silicone rubber gasket
- Powder coated with pretreatment for outdoor use
- Patented design
- Cover plate included for standard junction box



Up & Down light



LED

28291

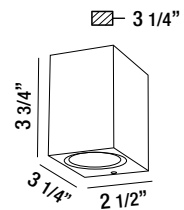
- 1 x 7W CREE LED
- 3000 Kelvin
- Lumen Output: 470lm
- LED driver included
- Electronic driver 120V 50/60Hz
- IP 54
- CRI: 80+
- High corrosion resistant die-cast aluminum body
- Stainless steel screws
- Silicone rubber gasket
- Powder coated with pretreatment for outdoor use
- Patented design
- Cover plate included for standard junction box



28291-015
Marine Grey



28291-022
Graphite Grey



120V SURFACE MOUNT



28295-013
Marine Grey

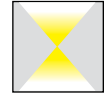


28295-020
Graphite Grey

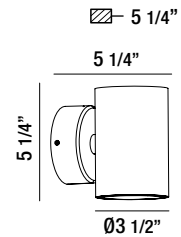
LED

28295

- 2 x 7W CREE LED
- 3000 Kelvin
- Lumen Output: 820lm
- LED driver included
- Electronic driver 120V 50/60Hz
- IP 54
- CRI: 80+
- High corrosion resistant die-cast aluminum body
- Stainless steel screws
- Silicone rubber gasket
- Powder coated with pretreatment for outdoor use
- Patented design
- Cover plate included for standard junction box



Up & Down light



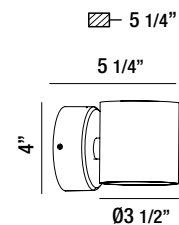
LED

28292-029 Graphite Grey

- 1 x 7W CREE LED
- 3000 Kelvin
- Lumen Output: 500lm
- LED driver included
- Electronic driver 120V 50/60Hz
- IP 54
- CRI: 80+
- High corrosion resistant die-cast aluminum body
- Stainless steel screws
- Silicone rubber gasket
- Powder coated with pretreatment for outdoor use
- Patented design
- Cover plate included for standard junction box



Up & Down light



120V SURFACE MOUNT

LED

28285



28285-021
Graphite Grey

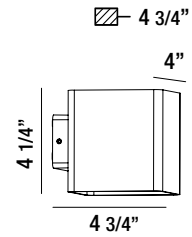
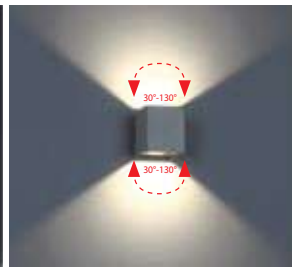


28285-014
Marine Grey

- 2 x 5W CREE LED
- 3000 Kelvin
- Lumen Output: 620lm
- LED driver included
- Electronic driver 120V 50/60Hz
- IP 54
- CRI: 80+
- High corrosion resistant die-cast aluminum body
- Stainless steel screws
- Silicone rubber gasket
- Powder coated with pretreatment for outdoor use
- Patented design
- Cover plate included for standard junction box



Up & Down light



LED

28283

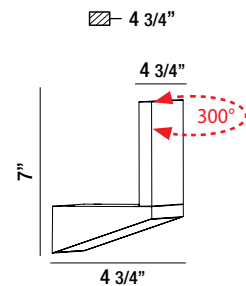


28283-010
Marine Grey



28283-027
Graphite Grey

- 6W CREE LED
- 3000 Kelvin
- Lumen Output: 220lm
- LED driver included
- Electronic driver 120V 50/60Hz
- IP 54
- CRI: 80+
- High corrosion resistant die-cast aluminum body
- Stainless steel screws
- Silicone rubber gasket
- Powder coated with pretreatment for outdoor use
- Patented design
- Cover plate included for standard junction box



120V SURFACE MOUNT



31583-015
Marine Grey

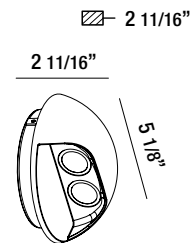


31583-022
Graphite Grey

LED

31583

- 2 x 3W CREE LED
- 3000 Kelvin
- Lumen Output: 260lm
- LED driver included
- Electronic driver 120V 50/60Hz
- IP 54
- CRI: 80+
- High corrosion resistant die-cast aluminum body
- Stainless steel screws
- Silicone rubber gasket
- Powder coated with pretreatment for outdoor use
- Patented design
- Cover plate included for standard junction box



LED

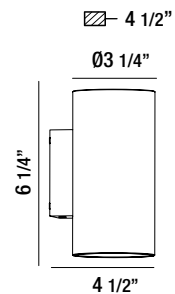
28301-011 Aluminum



- 2 x 7W CREE LED
- 3000 Kelvin
- Lumen Output: 830lm
- LED driver included
- Electronic driver 120V 50/60Hz
- IP 54
- CRI: 80+
- High corrosion resistant extrusion aluminum body
- Stainless steel screws
- Silicone rubber gasket
- Powder coated with pretreatment for outdoor use
- Patented design
- Cover plate included for standard junction box



Up & Down light



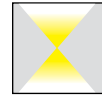
120V SURFACE MOUNT

LED

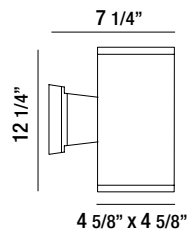
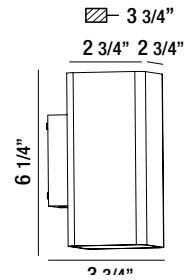
28302-018 Aluminum



- 2 x 7W CREE LED
- 3000 Kelvin
- Lumen Output: 830lm
- LED driver included
- Electronic driver 120V 50/60Hz
- IP 54
- CRI: 80+
- High corrosion resistant extrusion aluminum body
- Stainless steel screws
- Silicone rubber gasket
- Powder coated with pretreatment for outdoor use
- Patented design
- Cover plate included for standard junction box



Up & Down light

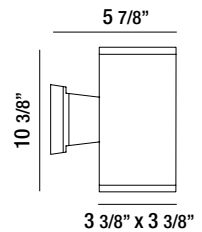


19210-018 Marine Grey

- 2 x 75W max PAR30 120V
- IP 55
- Square wall light for up and down lighting
- Exterior grade, cast aluminum construction with powder coated finish
- Completely enclosed unit with clear glass lens



Up & Down light



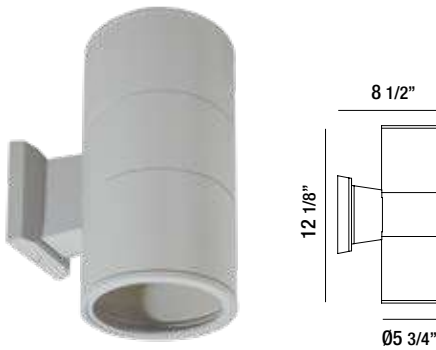
19209-012 Marine Grey

- 2 x 50W max GU10 120V
- IP 55
- Square wall light for up and down lighting
- Exterior grade, cast aluminum construction with powder coated finish
- Completely enclosed unit with clear glass lens



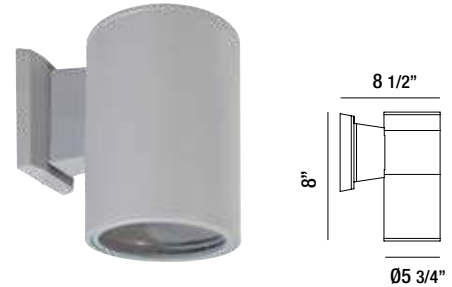
Up & Down light

120V SURFACE MOUNT



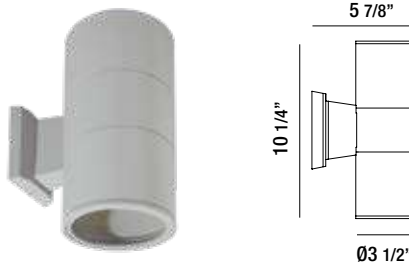
19204-017 Marine Grey

- 2 x 75W max PAR30 120V
- IP 55
- Cylinder wall light for up and down lighting
- Exterior grade, cast aluminum construction with powder coated finish
- Completely enclosed unit with clear glass lens



19202-013 Marine Grey

- 1 x 75W max PAR30 120V
- IP 55
- Cylinder wall light for down lighting
- Exterior grade, cast aluminum construction with powder coated finish
- Completely enclosed unit with clear glass lens



19205-014 Marine Grey

- 2 x 50W max PAR20 120V
- IP 55
- Cylinder wall light for up and down lighting
- Exterior grade, cast aluminum construction with powder coated finish
- Completely enclosed unit with clear glass lens



19206-011 Marine Grey

- 1 x 50W max PAR20 120V
- IP 55
- Cylinder wall light for down lighting
- Exterior grade, cast aluminum construction with powder coated finish
- Completely enclosed unit with clear glass lens



19203-010 Marine Grey

- 2 x 50W max GU10 120V
- IP 55
- Cylinder wall light for up and down lighting
- Exterior grade, cast aluminum construction with powder coated finish
- Completely enclosed unit with clear glass lens



19201-016 Marine Grey

- 1 x 50W max GU10 120V
- IP 55
- Cylinder wall light for down lighting
- Exterior grade, cast aluminum construction with powder coated finish
- Completely enclosed unit with clear glass lens

EXTERIOR LIGHTING

120V IN-WALL



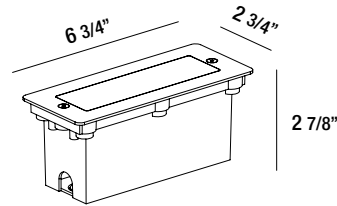
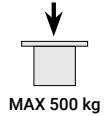
120V IN-WALL

LED

31592-017



- 3W LED
- 3000 Kelvin
- Lumen Output: 105lm
- LED driver included
- Electronic driver 120V 50/60Hz
- IP 65
- CRI: 80+
- Stainless steel ring AISI 304
- Stainless steel screws
- Silicone rubber gasket
- Max static weight resistant 500kg
- Polypropylene housing for recess included (concrete pour)
- Tempered safety glass



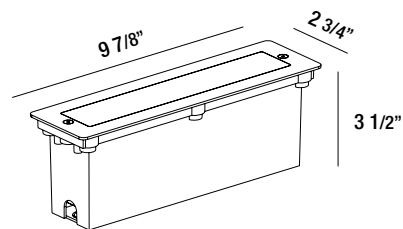
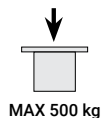
cut hole size 6 3/8" x 2 1/2"

LED

31591-010



- 5W LED
- 3000 Kelvin
- Lumen Output: 184lm
- LED driver included
- Electronic driver 120V 50/60Hz
- IP 65
- CRI: 80+
- Stainless steel ring AISI 304
- Stainless steel screws
- Silicone rubber gasket
- Max static weight resistant 500kg
- Polypropylene housing for recess included (concrete pour)
- Tempered safety glass



cut hole size 9 1/2" x 2 1/2"

EXTERIOR LIGHTING

120V IN-WALL



120V IN-WALL



31576-017
Marine Grey

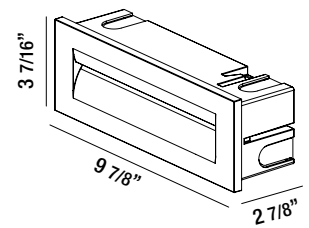


31576-024
Graphite Grey

LED

31576

- 8.5W CREE LED
- 3000 Kelvin
- Lumen Output: 190lm
- LED driver included
- Electronic driver 120V 50/60Hz
- IP 65
- CRI: 80+
- High corrosion resistant die-cast aluminum body
- Stainless steel screws
- Silicone rubber gasket
- Powder coated with pretreatment for outdoor use
- Patented design



LED

31590

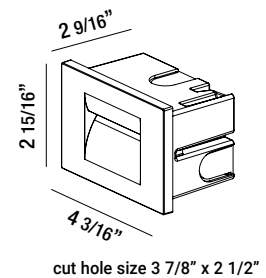


31590-013
Marine Grey



31590-020
Graphite Grey

- 3.6W CREE LED
- 3000 Kelvin
- Lumen Output: 80lm
- LED driver included
- Electronic driver 120V 50/60Hz
- IP 65
- CRI: 80+
- High corrosion resistant die-cast aluminum body
- Stainless steel screws
- Electronic driver 120V 50/60Hz
- Silicone rubber gasket
- Powder coated with pretreatment for outdoor use
- Patented design



EXTERIOR LIGHTING

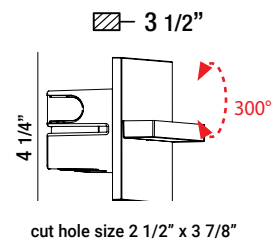
120V IN-WALL



LED

28294-023 Graphite Grey

- 1 x 3W CREE LED
- 3000 Kelvin
- Lumen Output: 90lm
- LED driver included
- Electronic driver 120V 50/60Hz
- IP 54
- CRI: 80+
- High corrosion resistant die-cast aluminum body
- Stainless steel screws
- Silicone rubber gasket
- Powder coated with pretreatment for outdoor use
- Patented design



120V IN-WALL



36051-014
Brushed Nickel



36051-022
Black

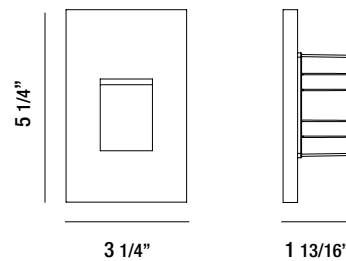


36051-039
White

LED

36051

- 2.2W LED
- 3000 Kelvin
- Lumen Output: 145lm
- LED driver included
- Electronic driver 120V 50/60Hz
- IP 67
- CRI: 80+
- High corrosion resistant die-cast aluminum trim
- Screwless trim
- PU form gasket
- Powder coated with pretreatment for outdoor use
- Mounts in standard 2" x 3" switch box
- TRIAC dimming



36046-010
Brushed Nickel



36046-025
Black

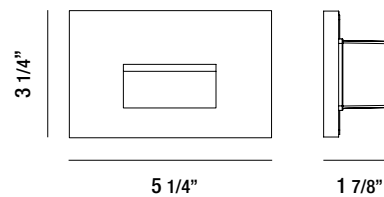


36046-037
White

LED

36046

- 2W LED
- 3000 Kelvin
- Lumen Output: 145lm
- LED driver included
- Electronic driver 120V 50/60Hz
- IP 67
- CRI: 80+
- High corrosion resistant die-cast aluminum trim
- Screwless trim
- PU form gasket
- Powder coated with pretreatment for outdoor use
- Mounts in standard 2" x 3" switch box
- TRIAC dimming



INTERIOR AND EXTERIOR APPLICATION

More detailed specification information and performance data is available at www.eurofase.com

EXTERIOR LIGHTING

120V IN-WALL



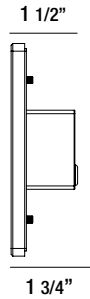
120V IN-WALL



30286-016
White



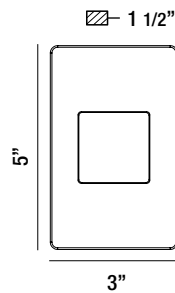
30286-023
Black



LED

30286

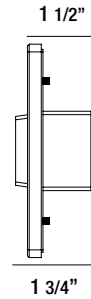
- 1 x 3W LED
- 3000 Kelvin
- Lumen Output: 120lm
- LED driver included
- Electronic driver 120V 50/60Hz
- IP 54
- CRI: 80+
- High corrosion resistant die-cast aluminum body
- Stainless steel screws
- Silicone rubber gasket
- Powder coated with pretreatment for outdoor use
- Mounts in standard 2" x 3" switch box



30287-013
White



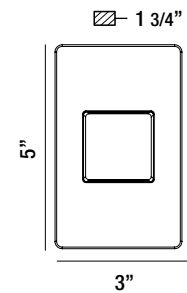
30287-020
Black



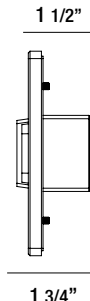
LED

30287

- 1 x 3W LED
- 3000 Kelvin
- Lumen Output: 120lm
- LED driver included
- Electronic driver 120V 50/60Hz
- IP 54
- CRI: 80+
- High corrosion resistant die-cast aluminum body
- Stainless steel screws
- Silicone rubber gasket
- Powder coated with pretreatment for outdoor use
- Mounts in standard 2" x 3" switch box



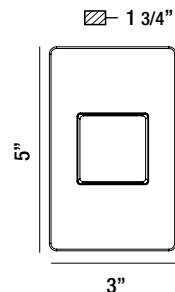
30288-010
White



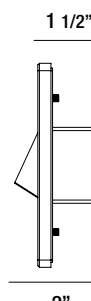
LED

30288

- 1 x 3W LED
- 3000 Kelvin
- Lumen Output: 120lm
- LED driver included
- Electronic driver 120V 50/60Hz
- IP 54
- CRI: 80+
- High corrosion resistant die-cast aluminum body
- Stainless steel screws
- Silicone rubber gasket
- Powder coated with pretreatment for outdoor use
- Mounts in standard 2" x 3" switch box



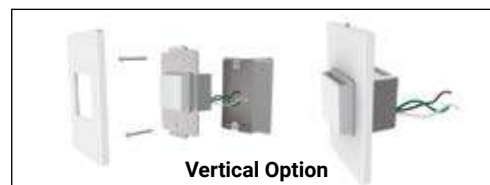
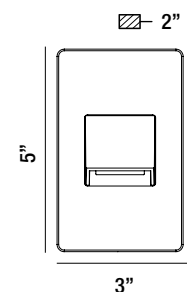
30289-017
White



LED

30289

- 1 x 3W LED
- 3000 Kelvin
- Lumen Output: 120lm
- LED driver included
- Electronic driver 120V 50/60Hz
- IP 54
- CRI: 80+
- High corrosion resistant die-cast aluminum body
- Stainless steel screws
- Silicone rubber gasket
- Powder coated with pretreatment for outdoor use
- Mounts in standard 2" x 3" switch box



INTERIOR AND EXTERIOR APPLICATION

More detailed specification information and performance data is available at www.eurofase.com

120V IN-WALL



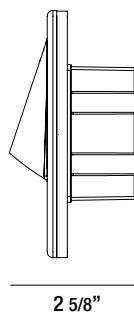
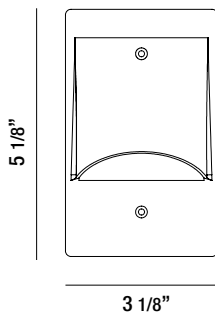
36038-015
Brushed Nickel



36038-026
Black



36038-032
White



LED

36038

- 2.2W LED
- 3000 Kelvin
- Lumen Output: 145lm
- LED driver included
- Electronic driver 120V 50/60Hz
- IP 67
- CRI: 80+
- High corrosion resistant die-cast aluminum trim
- PU foam gasket
- Powder coated with pretreatment for outdoor use
- Mounts in standard 2" x 3" switch box
- TRIAC dimming

INTERIOR AND EXTERIOR APPLICATION

120V IN-WALL



36041-015
Brushed Nickel



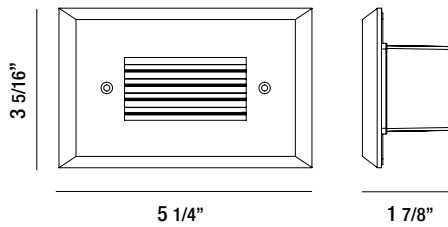
36041-020
Black



36041-034
White

LED

36041



- 2W LED
- 3000 Kelvin
- Lumen Output: 145lm
- LED driver included
- Electronic driver 120V 50/60Hz
- IP 67
- CRI: 80+
- High corrosion resistant die-cast aluminum trim
- Louvered trim
- PU form gasket
- Powder coated with pretreatment for outdoor use
- Mounts in standard 2" x 3" switch box
- TRIAC dimming



36033-010
Brushed Nickel



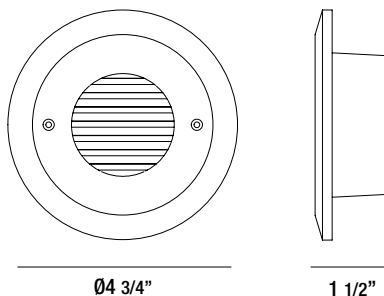
36033-023
Black



36033-038
White

LED

36033



- 2.5W LED
- 3000 Kelvin
- Lumen Output: 175lm
- LED driver included
- Electronic driver 120V 50/60Hz
- IP 67
- CRI: 80+
- High corrosion resistant die-cast aluminum trim
- Louvered trim
- PU form gasket
- Powder coated with pretreatment for outdoor use
- TRIAC dimming

INTERIOR AND EXTERIOR APPLICATION

More detailed specification information and performance data is available at www.eurofase.com

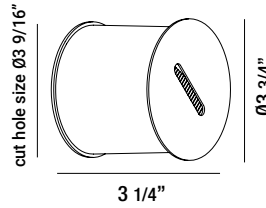
120V IN-WALL



LED

32150-018

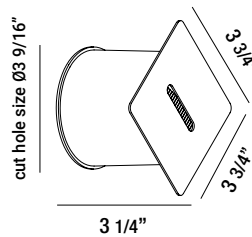
- 1 x 3W CREE LED
- 3000 Kelvin
- Lumen Output: 60lm
- LED driver included
- Electronic driver 120V 50/60Hz
- IP 65
- CRI: 80+
- High corrosion resistant die-cast aluminum body
- Polyester painting with phospho-chromating pre-finish
- Stainless steel ring AISI 304
- Clear tempered glass
- Silicone rubber gasket
- Polypropylene housing for recess included



LED

32151-015

- 1 x 3W CREE LED
- 3000 Kelvin
- Lumen Output: 60lm
- LED driver included
- Electronic driver 120V 50/60Hz
- IP 65
- CRI: 80+
- High corrosion resistant die-cast aluminum body
- Polyester painting with phospho-chromating pre-finish
- Stainless steel ring AISI 304
- Clear tempered glass
- Silicone rubber gasket
- Polypropylene housing for recess included




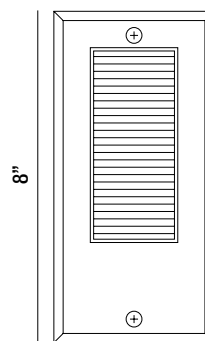
120V IN-WALL



LED

14751-011

- 1 x 0.4W CREE LED
- 3000 Kelvin
- Lumen Output: 420lm
- LED driver included
- Electronic driver 120V 50/60Hz
- IP 54
- CRI: 80+
- High corrosion resistant die-cast aluminum body
- Stainless steel screws
- Silicone rubber gasket
- Stainless steel face plate
- Patented design

 3 3/4"


3 1/4"

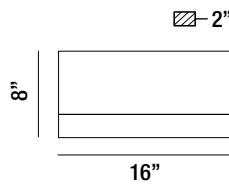
cut hole size 7 1/2" x 2"

LED SCONCE / SIGN LED

- Silver powder coated finish
- Acrylic clear plate allows custom laser engraved text
- Integral LED driver 120V 50/60Hz

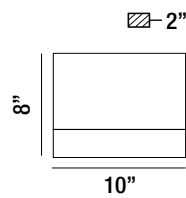


LED LED SCONCE / SIGN



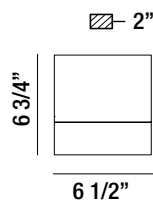
31437-011 Large LED Outdoor Sign

• 6 x 1W / LED 4000K / 600LM



31436-014 Medium LED Outdoor Sign

• 4 x 1W / LED 4000K / 400LM



31435-017 Small LED Outdoor Sign

• 3 x 1W / LED 4000K / 300LM

* Contact Eurofase for custom designs

MOUNTS IN STANDARD 2" X 3" OUTLET BOX (NOT INCLUDED)

More detailed specification information and performance data is available at www.eurofase.com

EXTERIOR LIGHTING

120V COMMERCIAL



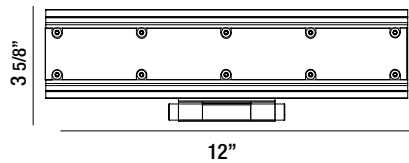
120V COMMERCIAL



LED

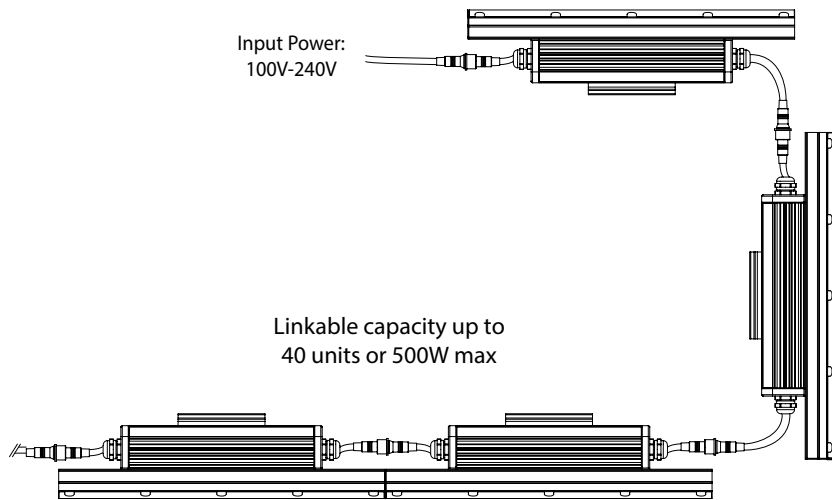
22534-019

- 12 x 1W LED flood light
- 3000 Kelvin
- Lumen Output: 852lm
- Built-in LED driver
- IP 66
- CRI: 80+
- High corrosion resistant die-cast aluminum body
- Stainless steel screws
- Silicone rubber gasket
- Powder coated finish



Input Power:
100V-240V

Linkable capacity up to
40 units or 500W max



24424-011

43" DOUBLE END PLUG-IN CONNECTOR CABLE

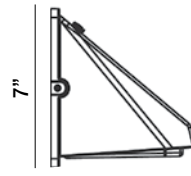
120V COMMERCIAL



LED

26078-014

- 12W LED
- Lumen Output: 850lm
- 5000K
- CRI:72+
- 120V
- UL and CUL listed for wet locations
- IP 66, dust and water jet tight
- Corrosion resistant die-cast all aluminum construction
- Superior powder coated finish
- Corrosion resistant hardware
- High impact polycarbonate lens
- Weatherproof and durable silicone rubber gaskets keep water and insects out



6 1/2"



LED

26079-011

- 12W LED
- Lumen Output: 850lm
- 5000K
- CRI:72+
- 120V
- Unique design
- UL and CUL listed for wet locations
- IP 65
- Corrosion resistant die-cast all aluminum construction
- Superior powder coated finish
- Heavy duty polycarbonate lens



7 5/16"

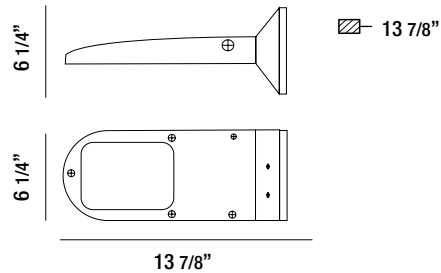
120V COMMERCIAL

LED

23250-017



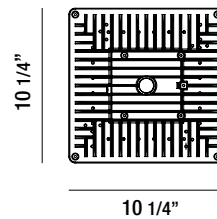
- 10W CREE LED
- Lumen Output: 680lm
- 4700K
- CRI: 80+
- 120V/277V
- Die cast housing
- Architectural bronze UV resistant powder coated finish
- UL listed / CUL listed for wet locations
- Low Tj for long life, low lumen depreciation
- Lumen per LED - approx. 90~95
- Low starting temp -30°C
- IC current controlled LED circuits



LED

23251-014

- 20W CREE LED
- Lumen Output: 2560lm
- 4700K
- CRI: 80+
- Efficient general ceiling lighting
- Die cast housing
- Architectural bronze UV resistant powder coated finish
- UL listed / CUL listed for wet locations
- Low Tj for long life, low lumen depreciation



EXTERIOR LIGHTING

120V DECORATIVE





EXTERIOR LIGHTING
120V
DECORATIVE



EXTERIOR LIGHTING

120V DECORATIVE



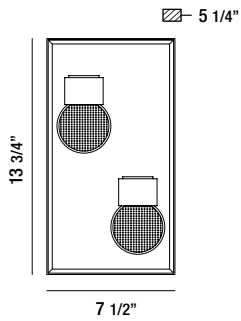
120V DECORATIVE



LED

35933-014
ANTIQUE GREY

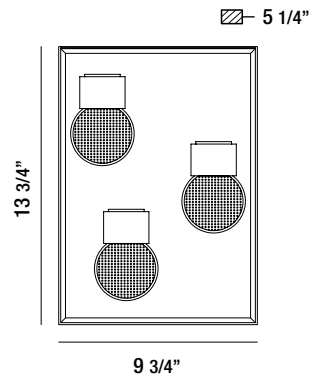
2-LIGHT OUTDOOR WALL SCONCE
2 x 4.5W/LED 3000K/540lm
(dimnable)



LED

35934-011
ANTIQUE GREY

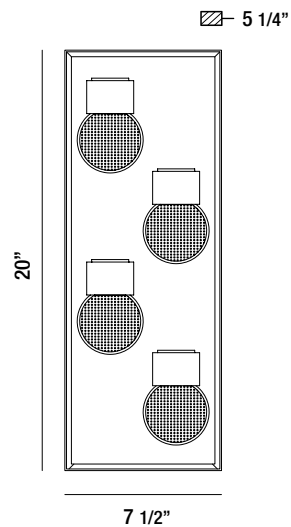
3-LIGHT OUTDOOR WALL SCONCE
3 x 4.5W/LED 3000K/810lm
(dimnable)



LED

35935-018
ANTIQUE GREY

4-LIGHT OUTDOOR WALL SCONCE
4 x 4.5W/LED 3000K/1080lm
(dimnable)



EXTERIOR LIGHTING

120V DECORATIVE



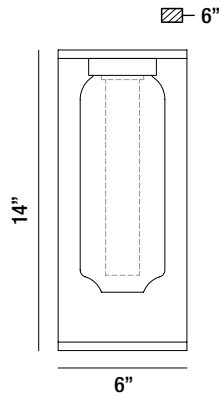
120V DECORATIVE



LED

35951-018
ANTIQUE GREY

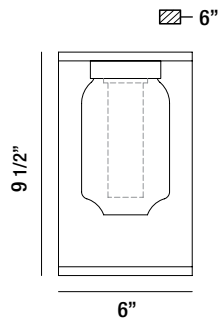
LARGE OUTDOOR LED WALL SCNCE
5W/LED 3000K/350lm
(dimmable)



LED

35950-011
ANTIQUE GREY

SMALL OUTDOOR LED WALL SCNCE
5W/LED 3000K/350lm
(dimmable)



EXTERIOR LIGHTING

120V DECORATIVE



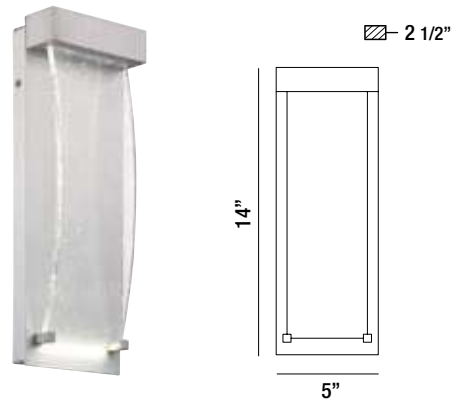
EXTERIOR LIGHTING
120V DECORATIVE



LED

35888-017 BLACK
35888-024 BRUSHED SILVER

LARGE OUTDOOR LED WALL SCONCE
10W/LED 3000K/600lm



LED

35887-010 BLACK
35887-027 BRUSHED SILVER

SMALL OUTDOOR LED WALL SCONCE
6W/LED 3000K/400lm

EXTERIOR LIGHTING

120V DECORATIVE



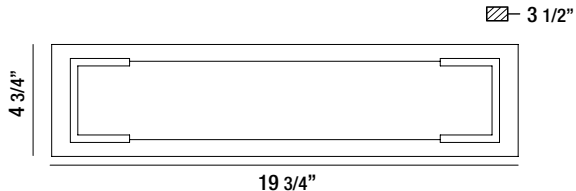
EXTERIOR LIGHTING
120V DECORATIVE



LED

37074-012
BLACK

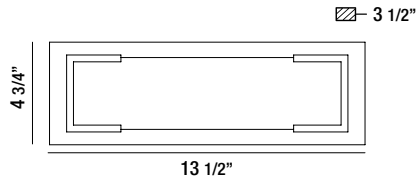
LARGE OUTDOOR LED WALL SCENCE
27W/LED 3000K/1000lm
(dimnable)



LED

37073-015
BLACK

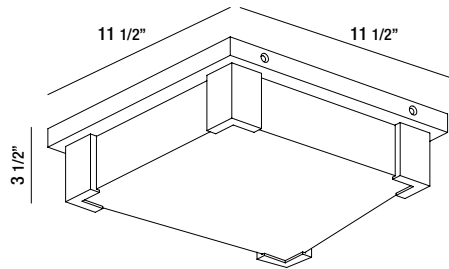
SMALL OUTDOOR LED WALL SCENCE
16W/LED 3000K/510lm
(dimnable)



LED

37075-019
BLACK

OUTDOOR LED FLUSHMOUNT
25W/LED 3000K/930lm
(dimnable)



EXTERIOR LIGHTING

120V DECORATIVE



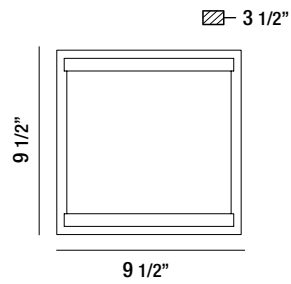
120V DECORATIVE



LED

34139-011
SATIN NICKEL

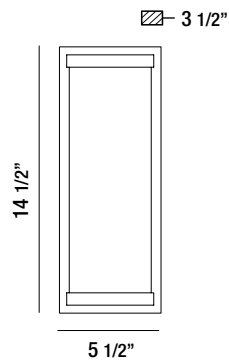
SQUARE OUTDOOR LED FLUSHMOUNT
2 x 10W/LED 3000K/1200lm
(dimnable)



LED

34138-014
SATIN NICKEL

LARGE OUTDOOR LED SURFACE MOUNT
2 x 10W/LED 3000K/1200lm
(dimnable)

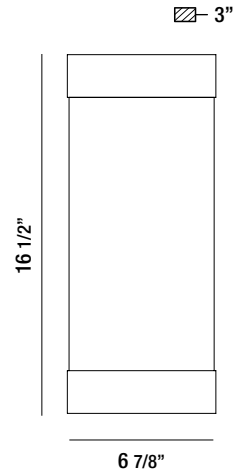


EXTERIOR LIGHTING

120V DECORATIVE



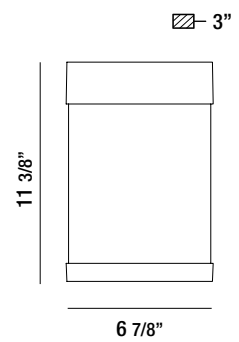
120V DECORATIVE



LED

35892-014
BLACK

LARGE OUTDOOR LED WALL SCONCE
2 x 10W/LED 3000K/1200lm



LED

35891-017
BLACK

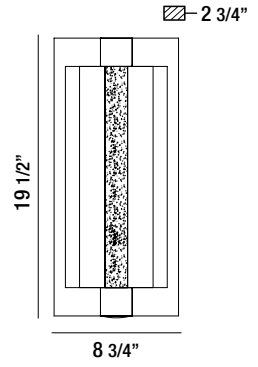
SMALL OUTDOOR LED WALL SCONCE
10W/LED 3000K/600lm

EXTERIOR LIGHTING

120V DECORATIVE



120V DECORATIVE



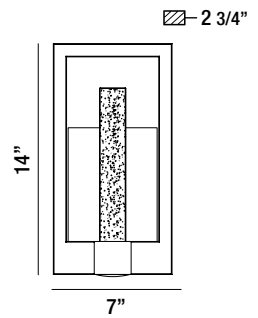
LED

35947-011
BLACK

LARGE OUTDOOR LED WALL SCONCE
3 x 4.5W/LED 3000K/840lm
(dimmable)



up & down light



LED

35946-014
BLACK

SMALL OUTDOOR LED WALL SCONCE
2 x 4.5W/LED 3000K/540lm
(dimmable)



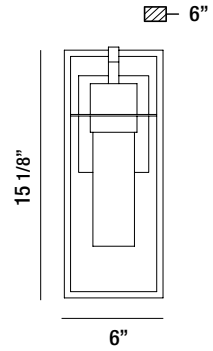
up & down light

EXTERIOR LIGHTING

120V DECORATIVE



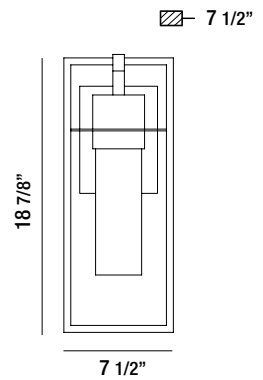
120V DECORATIVE



LED

35890-010
BLACK

SMALL OUTDOOR LED WALL SCNCE
6W/LED 3000K/360lm



LED

35889-014
BLACK

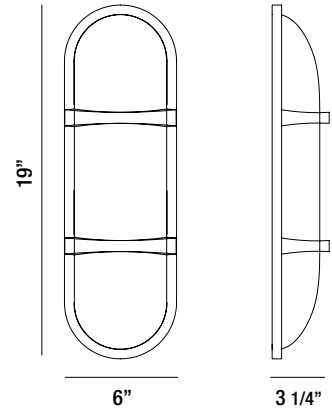
LARGE OUTDOOR LED WALL SCNCE
11W/LED 3000K/660lm

EXTERIOR LIGHTING

120V DECORATIVE



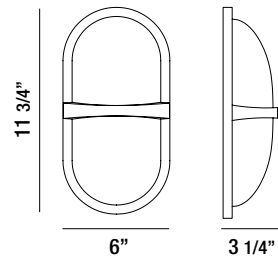
120V DECORATIVE



LED

35989-011
TEXTURED SILVER

LARGE OUTDOOR LED WALL SCONCE
18W/LED 3000K/1000lm
(dimnable)



LED

35988-014
TEXTURED SILVER

SMALL OUTDOOR LED WALL SCONCE
9W/LED 3000K/540lm
(dimnable)

EXTERIOR LIGHTING

120V DECORATIVE



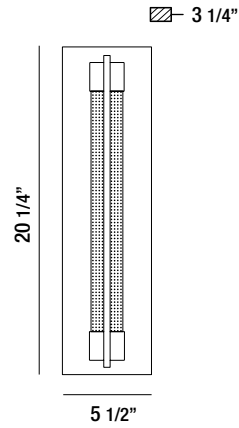
120V DECORATIVE



LED

33692-012
ANTIQUE SILVER

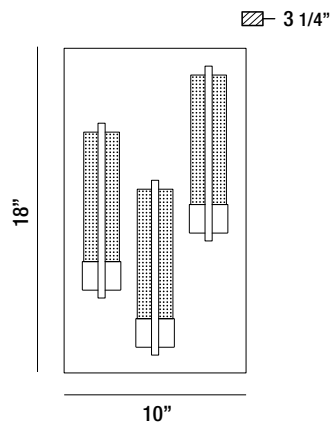
LARGE OUTDOOR LED WALL SCONCE
2 x 5W/LED 3000K/800lm
(dimmable)



LED

33693-019
ANTIQUE SILVER

3-LIGHT OUTDOOR LED WALL SCONCE
3 x 5W/LED 3000K/1200lm
(dimmable)



EXTERIOR LIGHTING

120V DECORATIVE



120V DECORATIVE

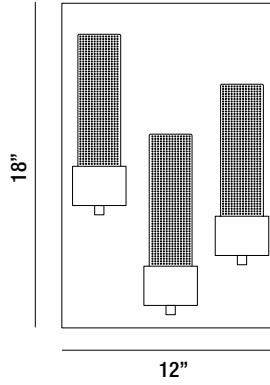


LED

33690-018
BLACK

3-LIGHT OUTDOOR LED WALL SCONCE
3 x 4.5W/LED 3000K/1200lm
(dimmable)

□ 5 3/4"

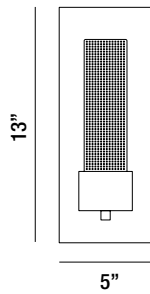


LED

33688-015
BLACK

SMALL OUTDOOR LED WALL SCONCE
4.5W/LED 3000K/400lm
(dimmable)

□ 4"

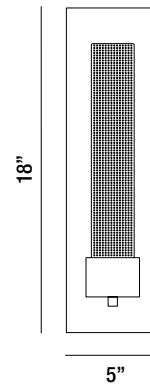


LED

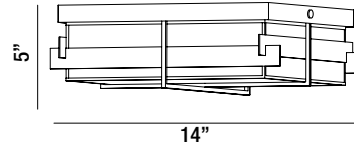
33689-012
BLACK

LARGE OUTDOOR LED WALL SCONCE
7.5W/LED 3000K/600lm
(dimmable)

□ 4"

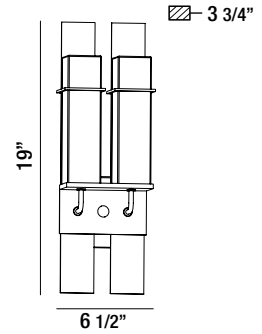


120V DECORATIVE



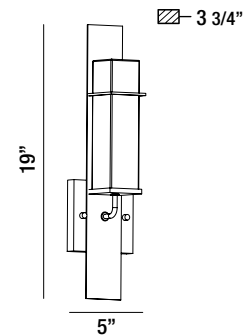
28055-013*
OIL RUBBED BRONZE

2-LIGHT OUTDOOR FLUSHMOUNT
2 x 60W/EDISON E26/120V
(included)



28054-016*
OIL RUBBED BRONZE

2-LIGHT OUTDOOR WALL SCONCE
2 x 60W/EDISON E26/120V
(included)



28053-019*
OIL RUBBED BRONZE

1-LIGHT OUTDOOR WALL SCONCE
1 x 60W/EDISON E26/120V
(included)

* VINTAGE FILAMENT BULB INCLUDED

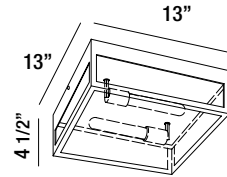
More detailed specification information and performance data is available at www.eurofase.com

120V DECORATIVE



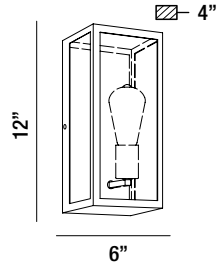
25604-016*
BRONZE

2-LIGHT OUTDOOR FLUSHMOUNT
2 x 60W/EDISON E26/120V
(included)



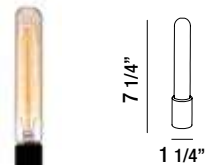
25602-012*
BRONZE

1-LIGHT OUTDOOR WALL SCONCE
1 x 60W/EDISON E26/120V
(included)



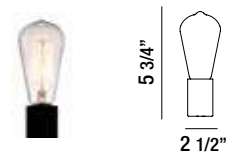
25843-019

VINTAGE FILAMENT BULB
1 x 60W/E26/120V



25842-012

VINTAGE FILAMENT BULB
1 x 60W/E26/120V



* VINTAGE FILAMENT BULB INCLUDED

More detailed specification information and performance data is available at www.eurofase.com

EXTERIOR LIGHTING

120V DECORATIVE



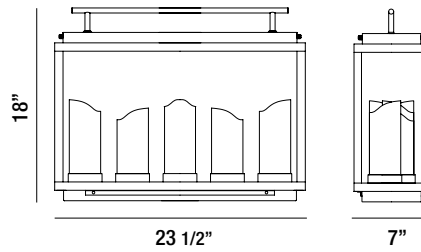
120V DECORATIVE



LED

35981-015
TEXTURED BLACK

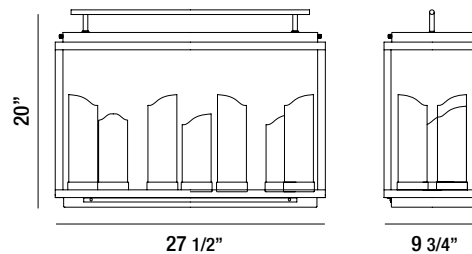
5-LIGHT LINEAR OUTDOOR LED LANTERN
5 x 0.5W/LED 2700K/125lm
(included)



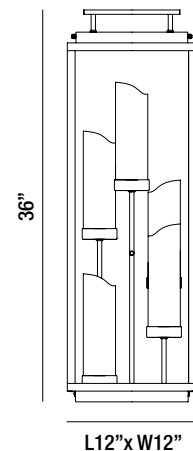
LED

35982-012
TEXTURED BLACK

7-LIGHT LINEAR OUTDOOR LED LANTERN
7 x 0.5W/LED 2700K/175lm
(included)



120V DECORATIVE

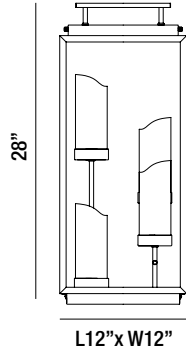


LED

35980-018
TEXTURED BLACK

5-LIGHT OUTDOOR LED LANTERN
5 x 0.5W/LED 2700K/125lm
(included)

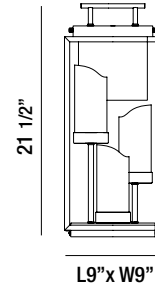
120V DECORATIVE



LED

35979-012
TEXTURED BLACK

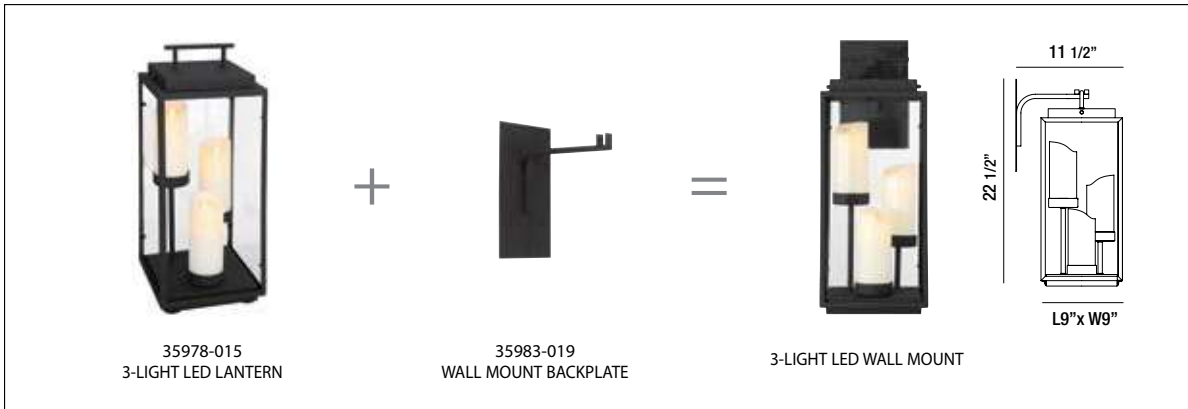
4-LIGHT OUTDOOR LED LANTERN
4 x 0.5W/LED 2700K/100lm
(included)



LED

35978-015
TEXTURED BLACK

3-LIGHT OUTDOOR LED LANTERN
/ WALL MOUNT
3 x 0.5W/LED 2700K/75lm
(included)



Simulated Flickering Candle
(3 x AAA batteries included)



Real Wax Body



Remote Control
(battery included)

INDEX

ITEM#	PAGE#	ITEM#	PAGE#	ITEM#	PAGE#	ITEM#	PAGE#
1002-01	376	19158-01	329	21779-09	324	23359-017	373
1002-02	376	19158-02	329	21809-019	281	23401-037	370
1002-S5	376	19158-04	329	21948-018	342	23402-010	370
1004-01	376	19158-05	329	21968-013	282	23402-034	370
1004-02	376	19158-08	329	22277-015	342	23403-017	369
1004-S5	376	19159-03	333	22534-019	528	23403-024	369
1008-01	376	19159-04	333	22748-10	318	23403-031	369
1008-02	376	19159-05	333	22749-10	318	23404-014	372
1008-S5	376	19161-57	336	22751-10	317	23404-021	372
12894-055	408	19162-02	330	22943-019	412	23404-038	372
12895-052	408	19162-03	330	22944-016	412	23404-042	372
13732-011	382	19162-06	330	23070-011	441	23405-011	372
13733-018	382	19162-08	330	23222-014	409	23405-028	372
14486-01	329	19201-016	512	23250-017	530	23405-035	372
14486-02	329	19202-013	512	23251-014	530	23405-045	372
14486-03	329	19203-010	512	23271-012	432	23406-018	371
14486-08	329	19204-017	512	23271-029	432	23406-025	371
14486-09	329	19205-014	512	23271-036	432	23406-032	371
14746-017	486	19206-011	512	23272-019	430	23406-038	371
14751-011	524	19209-012	511	23272-026	430	23407-022	373
1510-01	377	19210-018	511	23273-030	428	23407-039	373
1510-02	377	19424-019	440	23274-013	438	23407-045	373
1510-S5	377	19424-026	440	23274-020	438	23409-019	373
1530-01	379	19552-019	485	23283-015	261	23409-026	373
1530-02	379	19596-02	323	23284-012	262	23409-033	373
1530-S5	379	19596-03	323	23286-02	306	23409-038	373
15330-045	413	19596-05	323	23286-04	306	23410-015	371
1540-01	379	19596-06	323	23286-05	306	23410-022	371
1540-02	379	19596-08	323	23286-08	306	23410-039	371
1540-S5	379	19597-02	323	23287-01	307	23410-045	371
1550-01	380	19597-03	323	23287-02	307	23660-02	306
1550-02	380	19597-04	323	23287-03	307	23660-04	306
1550-S5	380	19597-05	323	23287-06	307	23660-05	306
1560-01	378	19597-08	323	23336-02	335	23660-06	306
1560-02	378	19597-09	323	23336-03	335	23660-08	306
1560-S5	378	20033-019	343	23336-04	335	23660-09	306
1570-01	378	20371-029	409	23336-05	335	23931-05	312
1570-02	378	21777-45	321	23336-06	335	23932-05	312
1570-S5	378	21777-89	321	23336-08	335	23933-05	310
1615-01	376	21778-115	321	23336-09	335	23934-05	310
1615-02	376	21778-45	321	23337-01	335	23935-11	308
1615-S5	376	21778-49	321	23337-02	335	23936-11	308
1617-01	377	21779-01	324	23337-04	335	23937-05	316
1617-02	377	21779-03	324	23337-05	335	23938-05	316
1617-S5	377	21779-04	324	23337-08	335	24051-019	237
16620-048	407	21779-05	324	23346-017	362	24052-016	237
16621-015	407	21779-06	324	23348-35-02	363	24053-013	237
16622-012	407	21779-08	324	23350-014	363	24054-010	237

INDEX

ITEM#	PAGE#	ITEM#	PAGE#	ITEM#	PAGE#	ITEM#	PAGE#
24055-017	237	25843-019	556	28291-022	507	28988-032	298
24056-014	241	26078-014	529	28292-029	508	28990-017	299
24057-011	238	26079-011	529	28293-019	489	28990-024	299
24058-018	238	26144-016	406	28293-026	489	29002-30-028	384
24059-015	238	26145-013	406	28294-023	517	29003-30-013	384
24060-011	238	26631-011	395	28295-013	508	29003-30-023	384
24061-018	238	26631-028	395	28295-020	508	29107-018	460
24062-015	242	26634-012	396	28296-010	503	29108-015	460
24063-012	237	26634-029	396	28296-027	503	29482-016	255
24064-019	237	26634-036	396	28297-024	503	29484-010	256
24065-016	237	26636-016	398	28301-011	510	29485-017	256
24066-020	237	26636-023	398	28302-018	511	29486-014	254
24067-010	238	26637-013	397	28715-30-016	129	29488-018	255
24068-017	238	26637-020	397	28715-30-024	129	29489-015	254
24069-014	238	27991-015	258	28715-35-016	129	29670-017	366
24070-010	238	27992-012	258	28715-35-024	129	29670-024	366
24071-017	237	27993-019	258	28716-30-013	130	29672-011	366
24072-014	237	27996-010	367	28716-30-028	130	29672-028	366
24073-011	237	27996-027	367	28716-35-013	130	29673-018	372
24074-018	237	28019-015	437	28716-35-028	130	29673-025	372
24075-015	237	28023-012	437	28717-30-010	127	29674-015	371
24076-012	241	28053-019	555	28717-30-024	127	29674-022	371
24077-019	238	28054-016	555	28717-35-010	127	29676-30-01	353
24078-016	238	28055-013	555	28717-35-024	127	29676-30-02	353
24079-013	238	28157-014	402	28718-30-017	128	29676-35-01	353
24080-019	238	28275-022	502	28718-30-028	128	29676-35-02	353
24081-016	238	28277-019	490	28718-35-017	128	29676-40-01	353
24082-013	242	28277-026	490	28718-35-028	128	29676-40-02	353
24083-010	237	28280-019	499	28719-30-014	121	29678-30-01	353
24084-017	237	28280-026	499	28719-30-028	121	29678-30-02	353
24085-014	237	28281-016	498	28719-35-014	121	29678-35-01	353
24086-028	237	28281-023	498	28719-35-028	121	29678-35-02	353
24087-018	238	28282-013	497	28720-30-010	122	29680-30-01	352
24088-015	238	28282-020	497	28720-30-021	122	29680-30-02	352
24089-012	238	28283-010	509	28720-35-010	122	29680-35-01	352
24090-018	238	28283-027	509	28720-35-021	122	29680-35-02	352
24119-016	342	28284-017	505	28721-30-017	119	29681-013	287
24424-011	528	28284-024	505	28721-30-025	119	29682-010	286
24799-04	317	28285-014	509	28721-35-017	119	29682-028	286
24800-04	317	28285-021	509	28721-35-025	119	29683-017	292
24802-05	311	28287-018	500	28722-30-014	120	29683-025	292
24808-101	309	28287-025	500	28722-30-021	120	29684-014	291
24808-123	309	28288-015	499	28722-35-014	120	29684-023	291
25602-012	556	28288-022	499	28722-35-021	120	29815-012	401
25604-016	556	28289-029	502	28987-017	298	29816-019	401
25675-016	410	28290-018	507	28987-024	298	30032-019	441
25676-013	410	28290-025	507	28988-014	298	30033-016	414
25842-012	556	28291-015	507	28988-021	298	30124-30-011	399

INDEX

ITEM#	PAGE#	ITEM#	PAGE#	ITEM#	PAGE#	ITEM#	PAGE#
30124-35-011	399	30287-013	520	31216-04	271	31585-019	504
30125-30-018	399	30287-020	520	31218-02	276	31585-026	504
30125-35-018	399	30288-010	520	31220-02	275	31586-016	506
30126-35-015	399	30289-017	520	31222-02	277	31586-023	506
30130-30-012	385	30303-02	219	31224-02	272	31587-013	506
30130-35-012	385	30304-02	220	31224-04	272	31589-017	498
30131-30-019	385	30305-02	221	31228-57	274	31590-013	516
30131-35-019	385	30306-02	222	31242-02	300	31590-020	516
30140-011	400	30307-02	223	31243-02	300	31591-010	514
30141-018	390	30308-02	224	31244-02	301	31592-017	514
30142-015	390	30309-012	405	31245-02	301	31595-018	484
30143-012	420	30310-018	405	31278-010	341	31596-015	484
30144-019	420	30345-010	231	31421-010	243	31634-014	416
30146-013	436	30346-017	232	31422-017	243	31636-018	416
30148-017	433	30351-011	267	31423-014	243	31637-015	416
30150-010	391	30366-015	237	31424-011	243	31667-101	273
30152-014	391	30367-012	237	31425-018	243	31667-123	273
30153-011	392	30368-019	237	31426-015	243	31667-57	273
30154-018	392	30369-016	237	31427-015	243	31681-49	278
30156-012	386	30370-012	237	31428-019	243	31763-30-011	124
30157-019	394	30371-019	241	31429-016	243	31763-30-023	124
30158-016	394	30372-016	238	31433-02	302	31763-35-011	124
30159-013	387	30373-013	238	31434-02	302	31763-35-023	124
30160-019	387	30374-010	238	31435-017	526	31764-30-018	126
30161-016	388	30375-017	238	31436-014	526	31764-30-022	126
30162-013	388	30376-014	238	31437-011	526	31764-35-018	126
30163-010	388	30377-011	242	31438-018	434	31764-35-022	126
30168-015	442	30378-018	237	31478-014	456	31765-30-015	123
30169-012	393	30379-015	237	31479-011	456	31765-30-028	123
30170-018	393	30380-011	237	31481-018	458	31765-35-015	123
30179-011	429	30382-015	237	31482-015	458	31765-35-028	123
30179-028	429	30383-012	238	31483-012	458	31766-30-012	125
30180-017	427	30384-019	238	31484-015	462	31766-30-024	125
30180-024	427	30385-016	238	31486-019	458	31766-35-012	125
30181-014	431	30386-013	238	31488-013	299	31766-35-024	125
30181-021	431	30530-010	235	31488-020	299	31789-011	434
30185-012	421	30530-026	235	31488-037	299	31793-018	435
30187-016	425	30531-017	235	31576-017	516	31800-013	435
30190-016	423	30531-021	235	31576-024	516	31804-011	422
30191-013	423	30532-014	235	31578-011	500	31805-018	422
30192-010	426	30532-023	235	31578-028	500	31810-012	411
30194-014	424	30533-011	235	31580-021	490	31811-019	411
30263-017	102	30533-028	235	31581-011	497	31812-016	421
30264-014	35	30534-018	235	31581-028	497	31813-013	425
30265-011	102	30535-015	235	31582-018	505	31814-010	423
30266-018	102	30536-012	235	31582-025	505	31815-017	426
30286-016	520	30537-019	235	31583-015	510	31816-014	424
30286-023	520	31216-02	271	31583-022	510	31817-011	419

INDEX

ITEM#	PAGE#	ITEM#	PAGE#	ITEM#	PAGE#	ITEM#	PAGE#
31818-018	419	32364-30-01	350	32989-40-01	360	34891-40-01	264
31877-015	235	32364-30-02	350	32989-40-02	360	34891-40-02	264
31878-012	235	32364-35-01	350	32990-35-01	360	34892-30-02	266
31879-019	235	32364-35-02	350	32990-35-02	360	34892-40-01	266
31879-023	235	32365-30-01	351	32991-35-01	359	34892-40-02	266
31880-015	235	32365-30-02	351	32991-35-02	359	34894-30-01	260
31880-026	235	32365-35-01	351	32992-35-02	362	34894-30-02	260
31903-011	268	32365-35-02	351	32993-30-01	365	34894-40-01	260
31909-027	468	32366-35-01	351	32993-35-01	365	34894-40-02	260
31911-023	468	32366-35-02	351	32993-35-02	365	34895-30-01	265
31912-020	466	32366-40-01	351	32995-015	356	34895-40-01	265
31913-027	472	32366-40-02	351	32996-012	356	34895-40-02	265
31914-024	472	32367-35-01	357	32997-019	356	34896-30-02	280
31915-021	471	32367-35-02	357	32998-016	356	34896-40-01	280
31916-028	471	32506-010	267	33218-02	374	34897-30-01	269
31918-022	474	32507-015	267	33218-34	374	34897-30-02	269
31919-029	476	32508-012	268	33227-30-016	400	34897-40-01	269
31920-025	476	32509-017	268	33228-013	433	34897-40-02	269
31921-022	476	32553-017	341	33230-016	436	34898-30-01	270
31922-029	470	32681-017	403	33520-018	271	34898-30-02	270
31923-026	470	32682-014	403	33617-015	252	34898-40-01	270
31997-010	281	32683-011	404	33618-012	252	34898-40-02	270
32006-018	261	32684-018	404	33619-019	252	35137-30-01	139
32007-015	281	32687-019	250	33688-015	554	35137-30-02	139
32008-012	279	32688-016	250	33689-012	554	35137-35-01	139
32009-019	262	32689-013	250	33690-018	554	35137-35-02	139
32121-018	418	32694-017	389	33692-012	552	35138-30-01	140
32122-015	418	32695-014	389	33693-019	552	35138-30-02	140
32150-018	523	32876-017	417	34116-012	495	35138-35-01	140
32151-015	523	32877-014	417	34117-019	492	35138-35-02	140
32188-011	482	32878-011	417	34118-016	492	35139-30-01	147
32189-018	480	32983-35-3-01	354	34119-013	496	35139-30-02	147
32190-014	480	32983-35-3-02	354	34120-019	494	35139-35-01	147
32191-011	480	32984-35-3-01	354	34121-016	494	35139-35-02	147
32192-018	480	32984-35-3-02	354	34122-013	477	35140-30-01	148
32193-015	484	32985-40-01	358	34123-010	477	35140-30-02	148
32194-012	484	32985-40-02	358	34124-017	478	35140-35-01	148
32360-30-01	349	32986-35-02	357	34125-014	478	35140-35-02	148
32360-35-01	349	32987-30-01	359	34138-014	542	35141-30-01	141
32360-35-02	349	32987-30-02	359	34139-011	542	35141-30-02	141
32361-30-01	348	32987-35-01	359	34172-018	489	35141-35-01	141
32361-30-02	348	32987-35-02	359	34172-025	489	35141-35-02	141
32361-35-01	348	32987-40-01	359	34174-012	488	35142-30-01	142
32361-35-02	348	32987-40-02	359	34174-029	488	35142-30-02	142
32362-35-01	348	32988-35-01	358	34175-019	488	35142-35-01	142
32362-35-02	348	32988-35-02	358	34175-026	488	35142-35-02	142
32363-35-01	350	32989-35-01	360	34890-30-01	263	35143-30-01	149
32363-35-02	350	32989-35-02	360	34890-40-01	263	35143-30-02	149

INDEX

ITEM#	PAGE#	ITEM#	PAGE#	ITEM#	PAGE#	ITEM#	PAGE#
35143-35-01	149	35457-35-01	347	35935-018	534	36098-019	89
35143-35-02	149	35457-35-02	347	35946-014	546	36104-017	78
35144-30-01	150	35459-019	260	35947-011	546	36112-012	83
35144-30-02	150	35460-015	263	35950-011	536	36121-014	84
35144-35-01	150	35461-012	269	35951-018	536	36130-016	102
35144-35-02	150	35462-019	280	35978-015	560	36134-014	80
35145-30-01	143	35757-01	8	35979-012	560	36139-019	82
35145-30-02	143	35758-01	8	35980-018	559	36149-018	100
35145-35-01	143	35759-01	8	35981-015	558	36152-018	100
35145-35-02	143	35763-01	14	35982-012	558	36155-019	100
35146-30-01	144	35764-01	14	35983-019	560	36158-010	103
35146-30-02	144	35765-01	11	35988-014	550	36162-017	87
35146-35-01	144	35766-01	6	35989-011	550	36166-015	86
35146-35-02	144	35767-01	15	36024-30-01	131	36203-017	236
35147-30-01	145	35768-01	15	36024-30-02	131	36205-011	236
35147-30-02	145	35769-01	15	36024-35-01	131	36206-018	236
35147-35-01	145	35771-01	16	36024-35-02	131	36208-012	236
35147-35-02	145	35772-01	16	36025-30-01	132	36209-019	236
35148-30-01	146	35773-01	16	36025-30-02	132	36211-012	236
35148-30-02	146	35775-01	17	36025-35-01	132	36212-019	236
35148-35-01	146	35776-01	17	36025-35-02	132	36214-013	236
35148-35-02	146	35777-01	17	36026-30-01	133	36215-010	236
35355-30-01	151	35779-01	17	36026-30-02	133	36217-014	236
35355-30-02	151	35780-01	17	36026-35-01	133	36218-011	236
35355-35-01	151	35781-01	16	36026-35-02	133	36220-014	236
35355-35-02	151	35795-015	18	36027-30-01	133	36221-011	236
35356-30-01	152	35796-015	18	36027-30-02	133	36223-015	236
35356-30-02	152	35797-012	18	36027-35-01	133	36224-012	236
35356-35-01	152	35799-02	18	36027-35-02	133	36226-016	235
35356-35-02	152	35800-02	18	36033-010	522	36227-013	235
35357-30-01	153	35814-01	15	36033-023	522	36229-017	235
35357-30-02	153	35852-018	493	36033-038	522	36230-013	235
35357-35-01	153	35853-015	493	36038-015	521	36255-016	236
35357-35-02	153	35854-012	493	36038-026	521	36281-01	34
35358-30-01	154	35855-019	493	36038-032	521	36282-01	34
35358-30-02	154	35856-016	496	36041-015	522	36283-01	34
35358-35-01	154	35857-013	495	36041-020	522	36284-01	34
35358-35-02	154	35885-016	454	36041-034	522	36285-01	34
35455-30-01	346	35887-010	538	36046-010	518	36286-01	34
35455-30-02	346	35887-027	538	36046-025	518	36287-01	34
35455-35-01	346	35888-017	538	36046-037	518	36288-01	34
35455-35-02	346	35888-024	538	36051-014	518	36289-01	34
35456-30-01	346	35889-014	548	36051-022	518	36290-01	34
35456-30-02	346	35890-010	548	36051-039	518	36291-01	34
35456-35-01	346	35891-017	544	36053-018	77	36292-01	34
35456-35-02	346	35892-014	544	36070-015	79	36293-01	34
35457-30-01	347	35933-014	534	36081-011	88	36294-01	35
35457-30-02	347	35934-011	534	36087-013	81	36296-01	35

INDEX

ITEM#	PAGE#	ITEM#	PAGE#	ITEM#	PAGE#	ITEM#	PAGE#
36297-01	35	36462-01	46	37136-017	448	ADPWH	380
36298-01	35	36463-01	46	37137-014	448	GU3-00	314
36299-01	35	36464-01	46	37138-011	450	GU325	328
36300-01	35	36465-01	46	37139-018	450	GU4-00	340
36301-01	35	36498-01	28	37140-014	452	GUC3-00	314
36302-01	35	36499-01	28	37141-011	452	GUI3-00	314
36361-01	18	36500-01	28	37145-019	279	GUI4-00	340
36362-01	18	36501-01	34	37641-016	90	IC04	338
36363-01	18	36512-01	29	38131-011	64	NC04-B	338
36364-01	18	36513-01	29	38132-018	64	R009-45	334
36368-01	18	36517-01	31	38133-015	64	R009-89	334
36369-01	18	36520-01	30	38134-012	62	R010-45	332
36370-01	18	36694-013	102	38135-019	62	R010-46	332
36371-01	18	36695-010	102	38136-016	62	R010-89	332
36372-01	10	36696-017	102	38138-010	66	R011-45	332
36373-01	10	36697-014	102	38140-013	70	R012-02	336
36374-01	10	36698-011	102	38141-010	70	R013-02	334
36376-01	12	36699-018	102	38142-017	70	R013-03	334
36377-01	11	36700-011	102	38204-012	69	R013-04	334
36379-01	13	36701-018	102	38205-019	69	R014-01	333
36433-01	52	36702-01	15	38722-011	58	R014-02	333
36434-01	52	36703-01	46	4AP-16	285	R014-04	333
36435-01	52	36704-01	48	4AP-25	285	R014-08	333
36436-01	51	36734-01	16	4AP-38	285	R014-09	333
36437-01	51	36735-01	35	4NC-16	284	SC-1SNE-25	439
36438-01	51	36736-01	35	4NC-25	284	SC-2SNE-25	439
36439-01	52	36761-012	107	4NC-38	284	TE01-89	305
36440-01	51	36762-019	107	4RM-16	283	TE01-90	305
36441-01	58	36763-016	110	4RM-25	283	TE02-49	305
36442-013	58	36764-013	104	4RM-38	283	TE04-02	304
36443-017	58	36765-010	108	6AP-16	290	TE04-04	304
36444-019	58	36766-017	111	6AP-25	290	TE06-89	305
36445-017	58	36767-014	104	6AP-38	290	TE06-90	305
36446-014	58	36768-011	106	6NC-16	289	TE111GU10-01	187
36448-01	58	36769-018	108	6NC-25	289	TE111GU10-02	187
36449-012	58	36770-014	110	6NC-38	289	TE111GU10-22	187
36450-01	58	36771-011	106	6RM-16	288	TE112GU10-01	189
36451-01	48	36772-018	112	6RM-25	288	TE112GU10-02	189
36452-01	48	36773-015	112	6RM-38	288	TE112GU10-22	189
36453-01	48	36774-012	111	8AP-16	296	TE113GU10-01	191
36454-01	48	36775-019	110	8AP-25	296	TE113GU10-02	191
36455-01	48	36833-016	58	8AP-38	296	TE113GU10-22	191
36456-01	44	36834-013	58	8NC-16	295	TE114AGU10-01	195
36457-01	44	36878-01	46	8NC-25	295	TE114AGU10-02	195
36458-01	43	36902-019	58	8NC-38	295	TE114AGU10-22	195
36459-01	43	37073-015	540	8RM-16	294	TE114BGU10-01	193
36460-01	43	37074-012	540	8RM-25	294	TE114BGU10-02	193
36461-01	43	37075-019	540	8RM-38	294	TE114BGU10-22	193

INDEX

ITEM#	PAGE#	ITEM#	PAGE#	ITEM#	PAGE#	ITEM#	PAGE#
TE131-01	207	TE133LED-30-4-01	177	TE134BLED-35-4-01	179	TE162LED-40-2-01	161
TE131-02	207	TE133LED-30-4-02	177	TE134BLED-35-4-02	179	TE162LED-40-2-02	161
TE131-22	207	TE133LED-30-4-22	177	TE134BLED-35-4-22	179	TE162LED-40-2-22	161
TE131LED-30-2-01	173	TE133LED-35-2-01	177	TE134BLED-40-2-01	179	TE162LED-40-4-01	161
TE131LED-30-2-02	173	TE133LED-35-2-02	177	TE134BLED-40-2-02	179	TE162LED-40-4-02	161
TE131LED-30-2-22	173	TE133LED-35-2-22	177	TE134BLED-40-2-22	179	TE162LED-40-4-22	161
TE131LED-30-4-01	173	TE133LED-35-4-01	177	TE134BLED-40-4-01	179	TE163-01	201
TE131LED-30-4-02	173	TE133LED-35-4-02	177	TE134BLED-40-4-02	179	TE163-02	201
TE131LED-30-4-22	173	TE133LED-35-4-22	177	TE134BLED-40-4-22	179	TE163-22	201
TE131LED-35-2-01	173	TE133LED-40-2-01	177	TE136A-01	216	TE163LED-30-2-01	163
TE131LED-35-2-02	173	TE133LED-40-2-02	177	TE136A-02	216	TE163LED-30-2-02	163
TE131LED-35-2-22	173	TE133LED-40-2-22	177	TE136A-22	216	TE163LED-30-2-22	163
TE131LED-35-4-01	173	TE133LED-40-4-01	177	TE161-01	199	TE163LED-30-4-01	163
TE131LED-35-4-02	173	TE133LED-40-4-02	177	TE161-02	199	TE163LED-30-4-02	163
TE131LED-35-4-22	173	TE133LED-40-4-22	177	TE161-22	199	TE163LED-30-4-22	163
TE131LED-40-2-01	173	TE134A-01	215	TE161LED-30-2-01	159	TE163LED-35-2-01	163
TE131LED-40-2-02	173	TE134A-02	215	TE161LED-30-2-02	159	TE163LED-35-2-02	163
TE131LED-40-2-22	173	TE134A-22	215	TE161LED-30-2-22	159	TE163LED-35-2-22	163
TE131LED-40-4-01	173	TE134ALED-30-2-01	181	TE161LED-30-4-01	159	TE163LED-35-4-01	163
TE131LED-40-4-02	173	TE134ALED-30-2-02	181	TE161LED-30-4-02	159	TE163LED-35-4-02	163
TE131LED-40-4-22	173	TE134ALED-30-2-22	181	TE161LED-30-4-22	159	TE163LED-35-4-22	163
TE132-01	209	TE134ALED-30-4-01	181	TE161LED-35-2-01	159	TE163LED-40-2-01	163
TE132-02	209	TE134ALED-30-4-02	181	TE161LED-35-2-02	159	TE163LED-40-2-02	163
TE132-22	209	TE134ALED-30-4-22	181	TE161LED-35-2-22	159	TE163LED-40-2-22	163
TE132LED-30-2-01	175	TE134ALED-35-2-01	181	TE161LED-35-4-01	159	TE163LED-40-4-01	163
TE132LED-30-2-02	175	TE134ALED-35-2-02	181	TE161LED-35-4-02	159	TE163LED-40-4-02	163
TE132LED-30-2-22	175	TE134ALED-35-2-22	181	TE161LED-35-4-22	159	TE163LED-40-4-22	163
TE132LED-30-4-01	175	TE134ALED-35-4-01	181	TE161LED-40-2-01	159	TE164A-01	203
TE132LED-30-4-02	175	TE134ALED-35-4-02	181	TE161LED-40-2-02	159	TE164A-02	203
TE132LED-30-4-22	175	TE134ALED-35-4-22	181	TE161LED-40-2-22	159	TE164A-22	203
TE132LED-35-2-01	175	TE134ALED-40-2-01	181	TE161LED-40-4-01	159	TE164ALED-30-2-01	167
TE132LED-35-2-02	175	TE134ALED-40-2-02	181	TE161LED-40-4-02	159	TE164ALED-30-2-02	167
TE132LED-35-2-22	175	TE134ALED-40-2-22	181	TE161LED-40-4-22	159	TE164ALED-30-2-22	167
TE132LED-35-4-01	175	TE134ALED-40-4-01	181	TE162-01	200	TE164ALED-30-4-01	167
TE132LED-35-4-02	175	TE134ALED-40-4-02	181	TE162-02	200	TE164ALED-30-4-02	167
TE132LED-35-4-22	175	TE134ALED-40-4-22	181	TE162-22	200	TE164ALED-30-4-22	167
TE132LED-40-2-01	175	TE134B-01	213	TE162LED-30-2-01	161	TE164ALED-35-2-01	167
TE132LED-40-2-02	175	TE134B-02	213	TE162LED-30-2-02	161	TE164ALED-35-2-02	167
TE132LED-40-2-22	175	TE134B-22	213	TE162LED-30-2-22	161	TE164ALED-35-2-22	167
TE132LED-40-4-01	175	TE134BLED-30-2-01	179	TE162LED-30-4-01	161	TE164ALED-35-4-01	167
TE132LED-40-4-02	175	TE134BLED-30-2-02	179	TE162LED-30-4-02	161	TE164ALED-35-4-02	167
TE132LED-40-4-22	175	TE134BLED-30-2-22	179	TE162LED-30-4-22	161	TE164ALED-35-4-22	167
TE133-01	211	TE134BLED-30-4-01	179	TE162LED-35-2-01	161	TE164ALED-40-2-01	167
TE133-02	211	TE134BLED-30-4-02	179	TE162LED-35-2-02	161	TE164ALED-40-2-02	167
TE133-22	211	TE134BLED-30-4-22	179	TE162LED-35-2-22	161	TE164ALED-40-2-22	167
TE133LED-30-2-01	177	TE134BLED-35-2-01	179	TE162LED-35-4-01	161	TE164ALED-40-4-01	167
TE133LED-30-2-02	177	TE134BLED-35-2-02	179	TE162LED-35-4-02	161	TE164ALED-40-4-02	167
TE133LED-30-2-22	177	TE134BLED-35-2-22	179	TE162LED-35-4-22	161	TE164ALED-40-4-22	167

INDEX

ITEM#	PAGE#	ITEM#	PAGE#	ITEM#	PAGE#	ITEM#	PAGE#
TE164B-01	202	TE222-02	210	TE611LED-35-4-02	160	TE98-03	319
TE164B-02	202	TE222LED-30-2-01	176	TE611LED-40-2-01	160	TE98-05	319
TE164B-22	202	TE222LED-30-2-02	176	TE611LED-40-2-02	160	TE98-06	319
TE164BLED-30-2-01	165	TE222LED-30-4-01	176	TE611LED-40-4-01	160	TE98-08	319
TE164BLED-30-2-02	165	TE222LED-30-4-02	176	TE611LED-40-4-02	160	TE98-09	319
TE164BLED-30-2-22	165	TE222LED-35-2-01	176	TE612LED-30-2-01	162	TEIN-325	327
TE164BLED-30-4-01	165	TE222LED-35-2-02	176	TE612LED-30-2-02	162	TENC-325B	327
TE164BLED-30-4-02	165	TE222LED-35-4-01	176	TE612LED-30-4-01	162	TERE-325	327
TE164BLED-30-4-22	165	TE222LED-35-4-02	176	TE612LED-30-4-02	162	TK-1VTX3-02	374
TE164BLED-35-2-01	165	TE222LED-40-2-01	176	TE612LED-35-2-01	162	TK-1VTX3-34	374
TE164BLED-35-2-02	165	TE222LED-40-2-02	176	TE612LED-35-2-02	162	TK-3VTX3-02	381
TE164BLED-35-2-22	165	TE222LED-40-4-01	176	TE612LED-35-4-01	162	TK-3VTX3-34	381
TE164BLED-35-4-01	165	TE222LED-40-4-02	176	TE612LED-35-4-02	162	TK-5VTX3-34	381
TE164BLED-35-4-02	165	TE223-01	212	TE612LED-40-2-01	162	TK-HGP20-01	369
TE164BLED-35-4-22	165	TE223-02	212	TE612LED-40-2-02	162	TK-HGP30-01	368
TE164BLED-40-2-01	165	TE223LED-30-2-01	178	TE612LED-40-4-01	162	TK-HGP30-S5	368
TE164BLED-40-2-02	165	TE223LED-30-2-02	178	TE612LED-40-4-02	162	TK-HGP38-01	368
TE164BLED-40-2-22	165	TE223LED-30-4-01	178	TE613LED-30-2-01	164	TK-HGP38-02	368
TE164BLED-40-4-01	165	TE223LED-30-4-02	178	TE613LED-30-2-02	164	TK-HGP38-S5	368
TE164BLED-40-4-02	165	TE223LED-35-2-01	178	TE613LED-30-4-01	164	TR-A301-101	307
TE164BLED-40-4-22	165	TE223LED-35-2-02	178	TE613LED-30-4-02	164	TR-A401-101	335
TE166A-01	204	TE223LED-35-4-01	178	TE613LED-35-2-01	164	TR-A401-57	335
TE166A-02	204	TE223LED-35-4-02	178	TE613LED-35-2-02	164	TR-G02-01	320
TE166A-22	204	TE223LED-40-2-01	178	TE613LED-35-4-01	164	TR-G02-04	320
TE211GU10-01	188	TE223LED-40-2-02	178	TE613LED-35-4-02	164	TR-G02-05	320
TE211GU10-02	188	TE223LED-40-4-01	178	TE613LED-40-2-01	164	TR-G02-06	320
TE212GU10-01	190	TE223LED-40-4-02	178	TE613LED-40-2-02	164	TR-G02-09	320
TE212GU10-02	190	TE224B-01	214	TE613LED-40-4-01	164	TR-G14-01	319
TE213GU10-01	192	TE224B-02	214	TE613LED-40-4-02	164	TR-G14-05	319
TE213GU10-02	192	TE224BLED-30-2-01	180	TE614BLED-30-2-01	166	TR-G14-06	319
TE214BGU10-01	194	TE224BLED-30-2-02	180	TE614BLED-30-2-02	166	TR-G14-09	319
TE214BGU10-02	194	TE224BLED-30-4-01	180	TE614BLED-30-4-01	166	TR-G15-13	326
TE21-57	326	TE224BLED-30-4-02	180	TE614BLED-30-4-02	166	TR-M07-03	322
TE221-01	208	TE224BLED-35-2-01	180	TE614BLED-35-2-01	166	TR-M07-05	322
TE221-02	208	TE224BLED-35-2-02	180	TE614BLED-35-2-02	166	TR-M07-06	322
TE221LED-30-2-01	174	TE224BLED-35-4-01	180	TE614BLED-35-4-01	166	TR-M07-08	322
TE221LED-30-2-02	174	TE224BLED-35-4-02	180	TE614BLED-35-4-02	166	TR-M07-09	322
TE221LED-30-4-01	174	TE224BLED-40-2-01	180	TE614BLED-40-2-01	166	VHG-4I01-00	313
TE221LED-30-4-02	174	TE224BLED-40-2-02	180	TE614BLED-40-2-02	166	VHG-4N01-00	313
TE221LED-35-2-01	174	TE224BLED-40-4-01	180	TE614BLED-40-4-01	166		
TE221LED-35-2-02	174	TE224BLED-40-4-02	180	TE614BLED-40-4-02	166		
TE221LED-35-4-01	174	TE611LED-30-2-01	160	TE90-01	304		
TE221LED-35-4-02	174	TE611LED-30-2-02	160	TE90-04	304		
TE221LED-40-2-01	174	TE611LED-30-4-01	160	TE90-05	304		
TE221LED-40-2-02	174	TE611LED-30-4-02	160	TE90-06	304		
TE221LED-40-4-01	174	TE611LED-35-2-01	160	TE90-09	304		
TE221LED-40-4-02	174	TE611LED-35-2-02	160	TE98-01	319		
TE222-01	210	TE611LED-35-4-01	160	TE98-02	319		



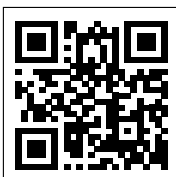


33 West Beaver Creek Road,
Richmond Hill, Ontario Canada L4B 1L8

DALLAS TRADE MART
Eurofase Showroom, Suite #4002

tel 905.695.2055 **toll free** 1.800.660.5391
fax 905.695.2056 **toll free** 1.800.660.5390

www.eurofase.com



Printed in Canada
© 2020 Eurofase Inc. All rights reserved.

Product Specifications and Approvals

Eurofase Inc. reserves the right to make alterations to the construction and design of products shown in this catalog in order to meet the laws or regulations of any authorized governing organization. The use of products shown in this catalog must comply with local building codes.